



US00D903690S

(12) **United States Design Patent** (10) **Patent No.:** **US D903,690 S**
Xu (45) **Date of Patent:** **** Dec. 1, 2020**

(54) **USB RECEIVER FOR WIRELESS PRESENTER**
(71) Applicant: **SHENZHEN QIANHAI PATUOXUN NETWORK AND TECHNOLOGY CO., LTD**, Shenzhen (CN)
(72) Inventor: **Weiwei Xu**, Shenzhen (CN)
(73) Assignee: **SHENZHEN QIANHAI PATUOXUN NETWORK AND TECHNOLOGY CO., LTD**, Shenzhen (CN)
(**) Term: **15 Years**
(21) Appl. No.: **29/740,525**
(22) Filed: **Jul. 6, 2020**
(51) **LOC (12) Cl.** **14-03**
(52) **U.S. Cl.**
USPC **D14/480.6**
(58) **Field of Classification Search**
USPC D14/480.1–480.7, 435.1, 411, 433, 436, D14/484.1, 137, 155, 203.1–203.8, 240, D14/242; D13/133, 154
CPC H05K 5/0278; G06K 19/07732
See application file for complete search history.

8,514,560 B2 * 8/2013 Wu H05K 5/0208 361/679.31
D705,235 S * 5/2014 Slemp D14/480.6
D712,414 S * 9/2014 Tsai D14/480.6
D725,124 S * 3/2015 Lin D14/480.6
D749,600 S * 2/2016 Emami D14/480.6
D801,340 S 10/2017 Kim
D863,320 S * 10/2019 Roberts D14/480.6
D864,213 S * 10/2019 Yang D14/480.5
2016/0013578 A1 * 1/2016 Lin H01R 13/4538 439/131

* cited by examiner

Primary Examiner — Angela J Lee

(57) **CLAIM**

The ornamental design for a USB receiver for wireless presenter, as shown and described.

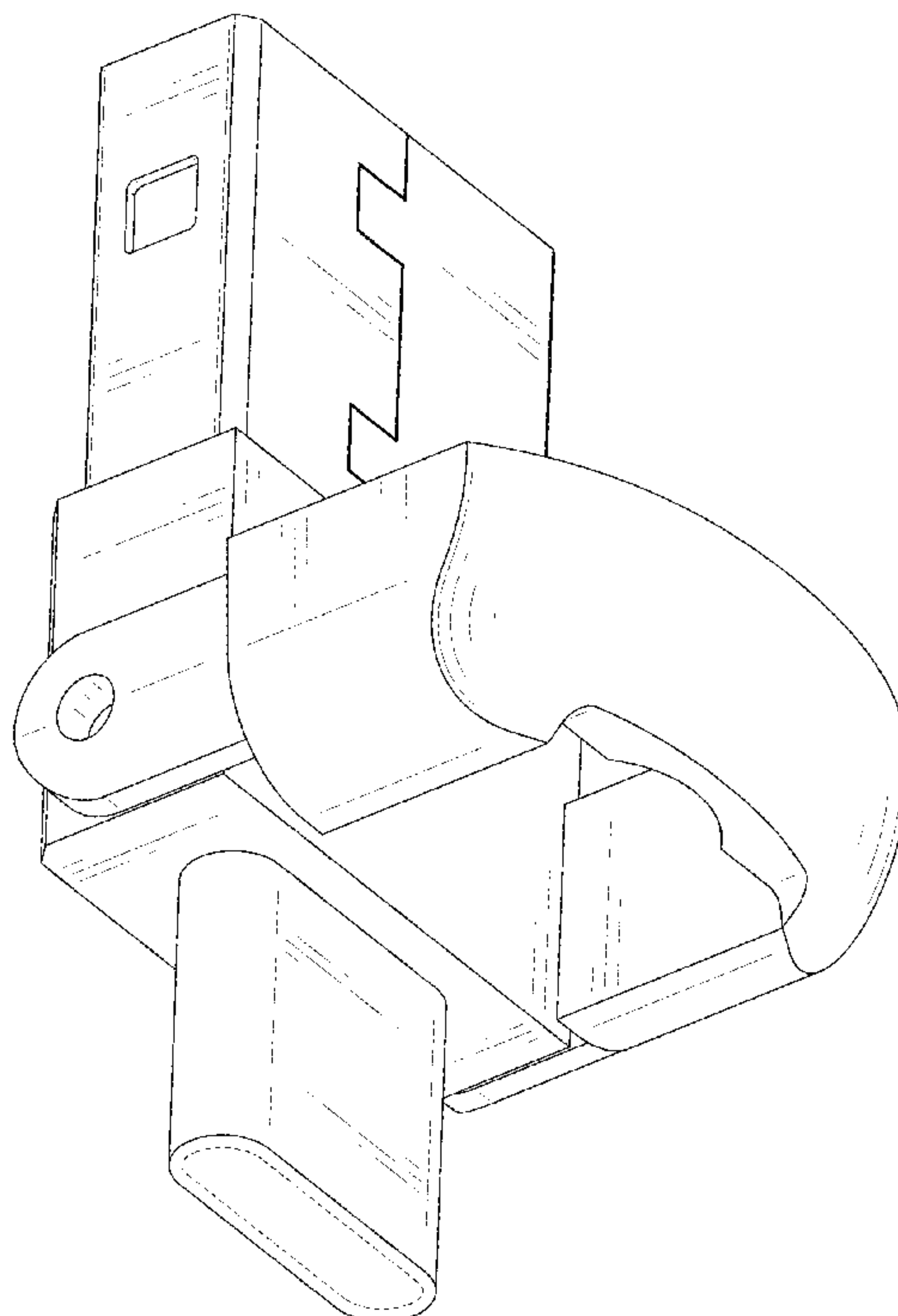
DESCRIPTION

FIG. 1 is a perspective view of a USB receiver for wireless presenter showing my new design;
FIG. 2 is another perspective view thereof;
FIG. 3 is a front elevational view thereof;
FIG. 4 is a rear elevational view thereof;
FIG. 5 is a left side elevational view thereof;
FIG. 6 is a right side elevational view thereof;
FIG. 7 is a top plan view thereof;
FIG. 8 is a bottom plan view thereof; and,
FIG. 9 is a perspective view of the USB receiver for wireless presenter where the USB receiver for wireless presenter is in a configuration of use.

The broken lines in the drawings depict portions of the USB receiver for wireless presenter that form no part of the claimed design.

1 Claim, 9 Drawing Sheets

(56) **References Cited**
U.S. PATENT DOCUMENTS
D579,933 S * 11/2008 Deguchi D14/480.1
D606,077 S * 12/2009 Hu D14/480.1
D622,278 S * 8/2010 Ma D14/480.6
D678,892 S * 3/2013 Chou D14/480.6
D685,807 S * 7/2013 Billington D14/480.5



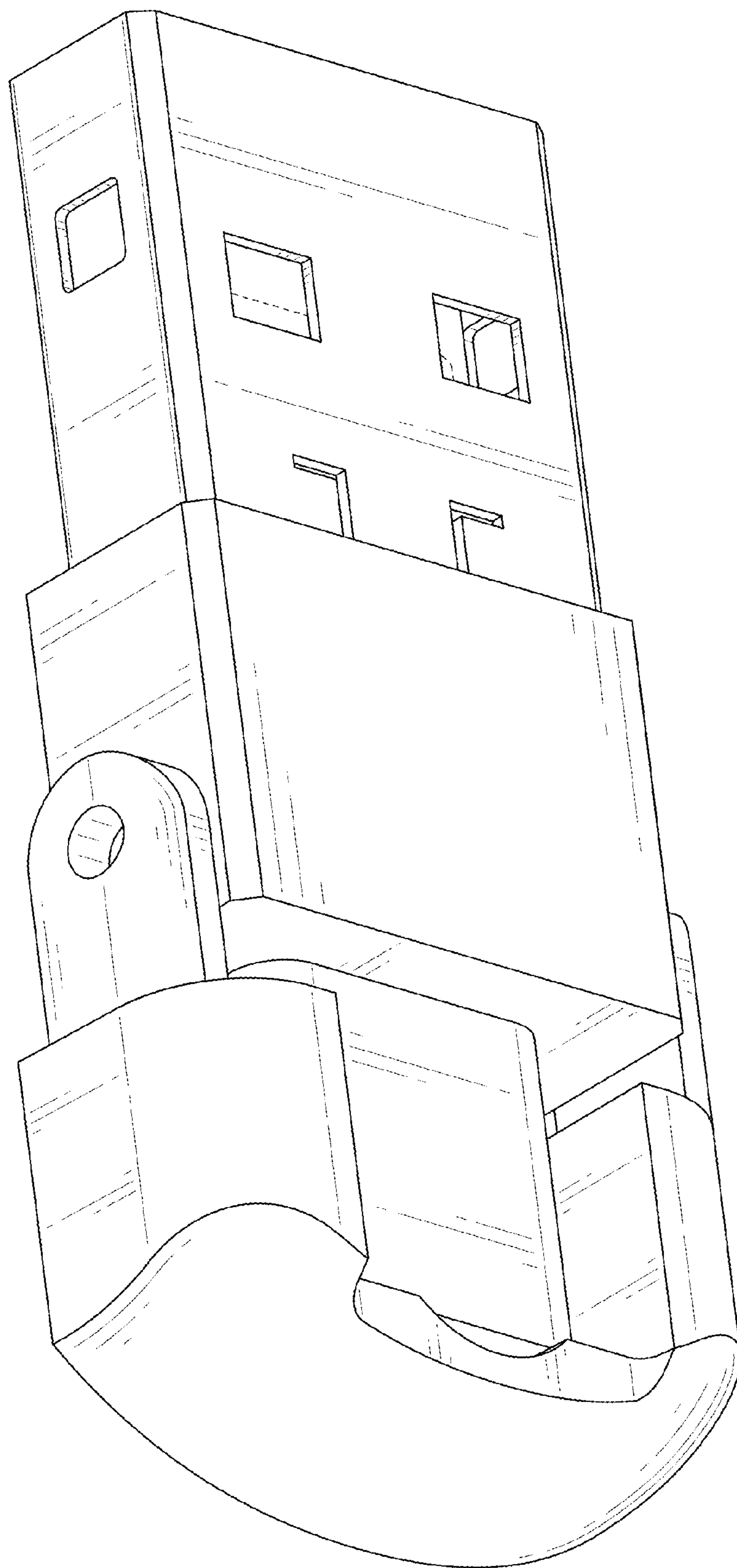


FIG. 1

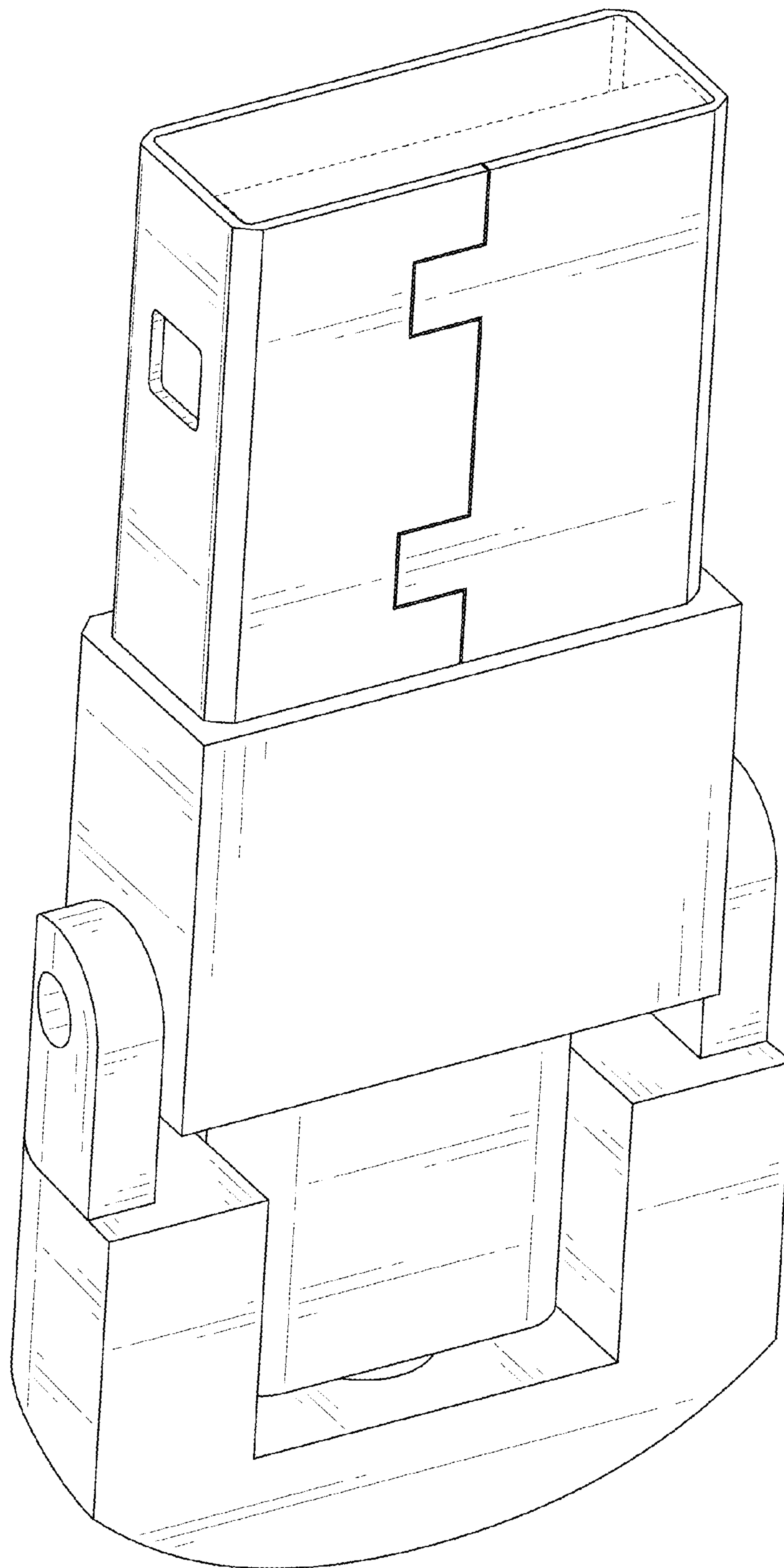


FIG. 2

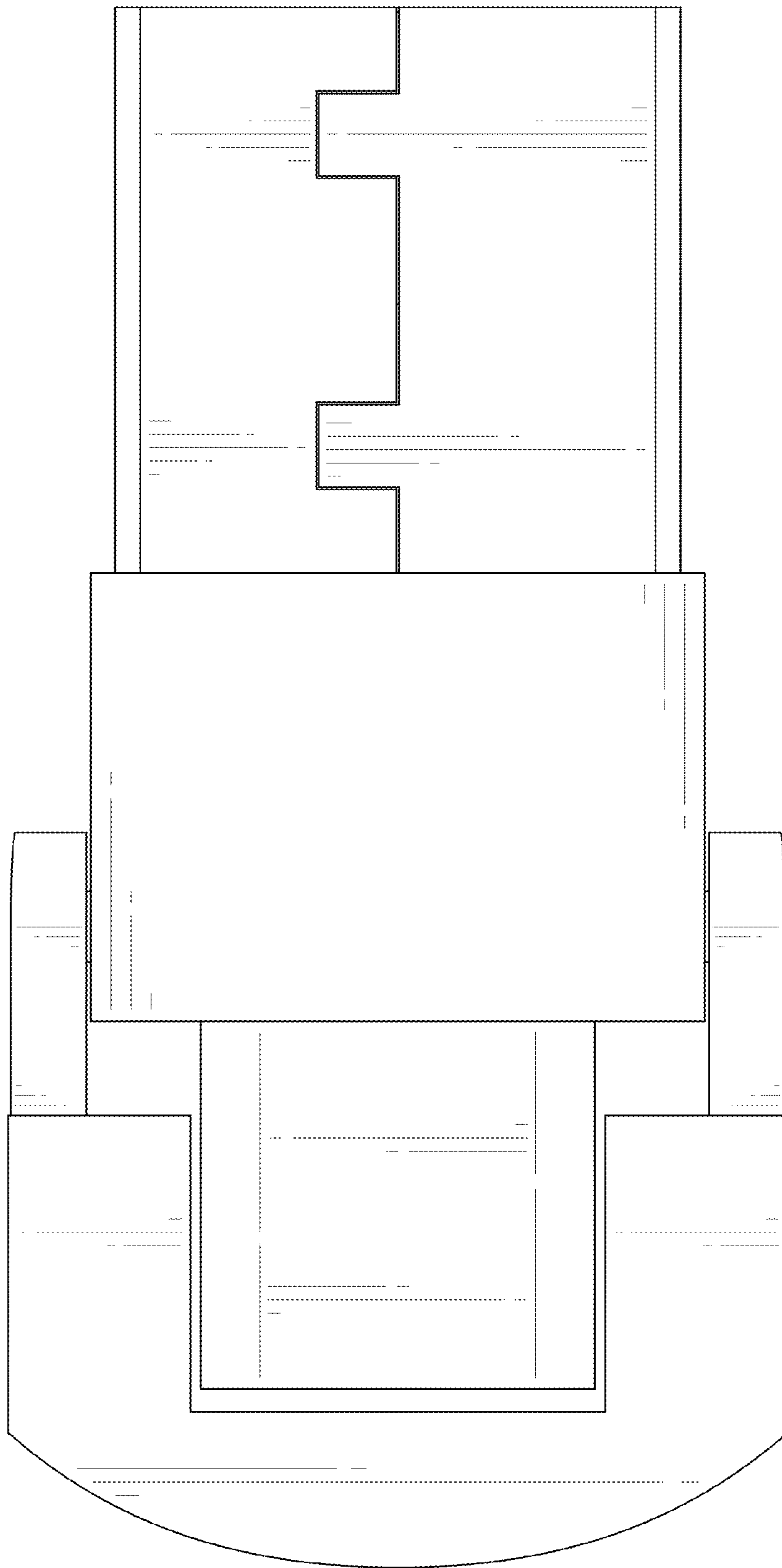


FIG. 3

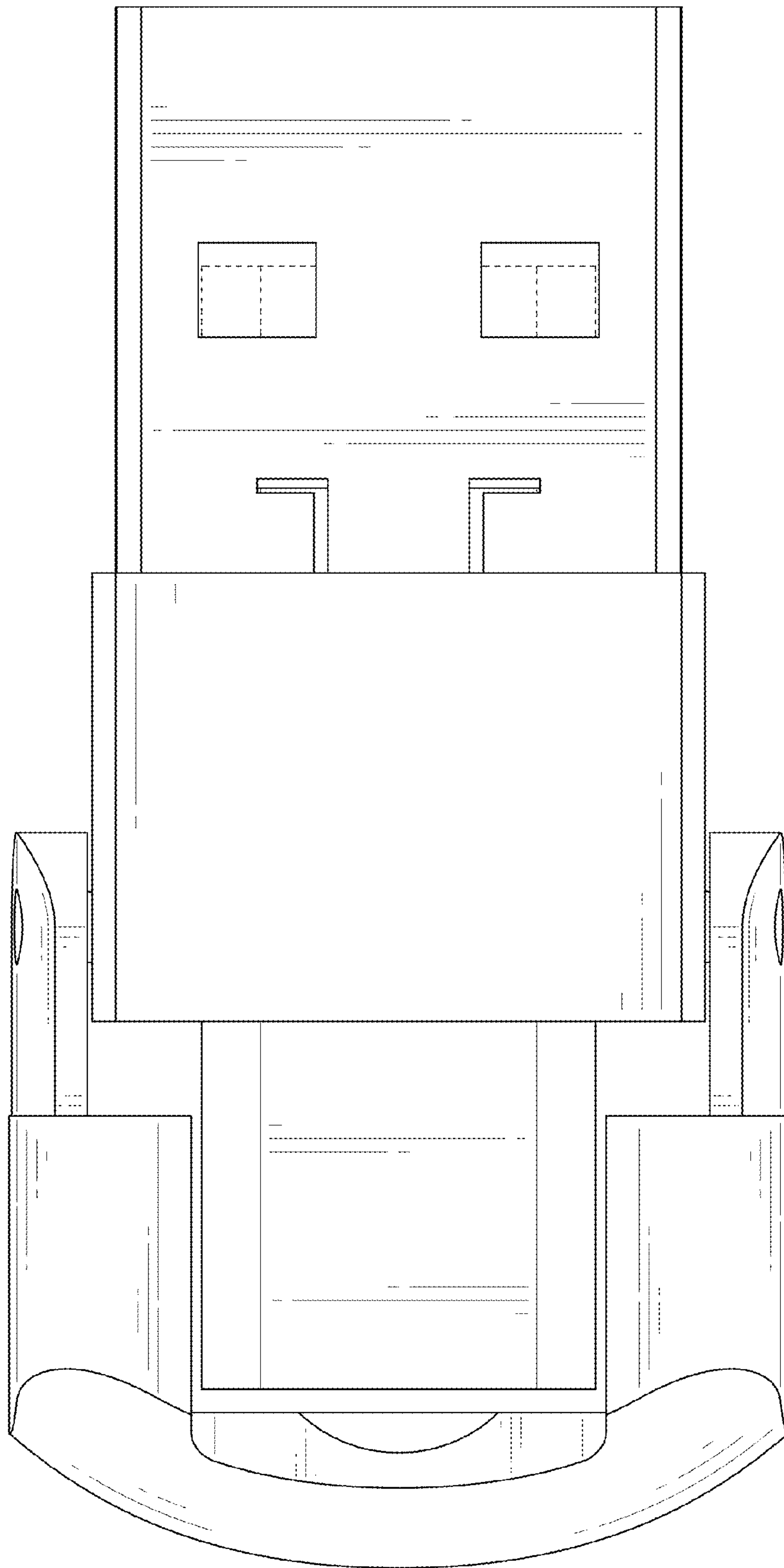


FIG. 4

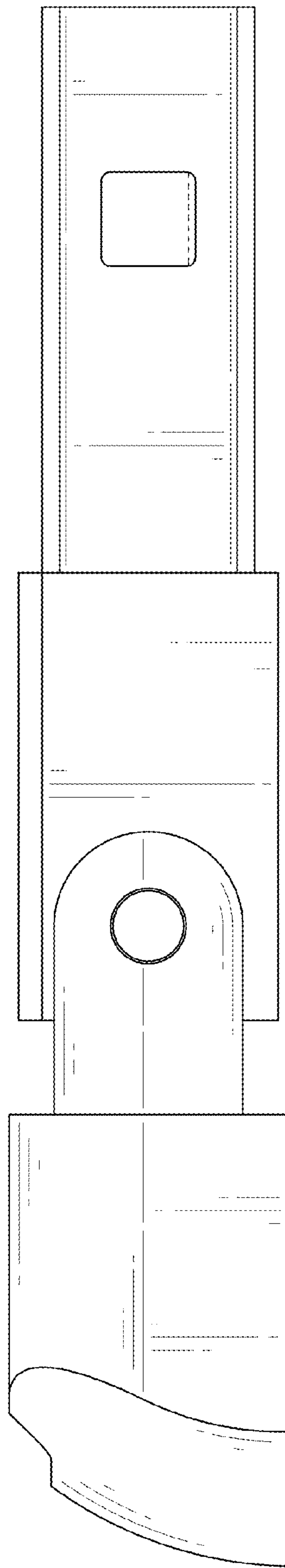


FIG. 5

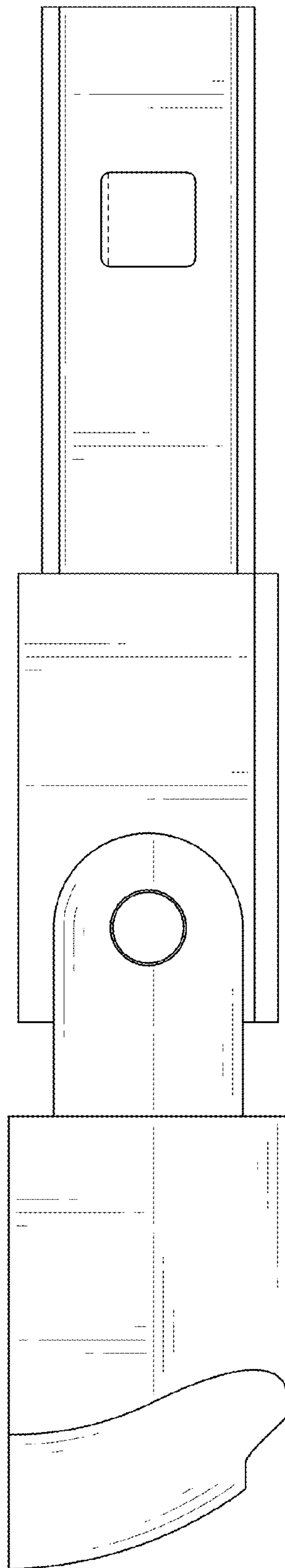


FIG. 6

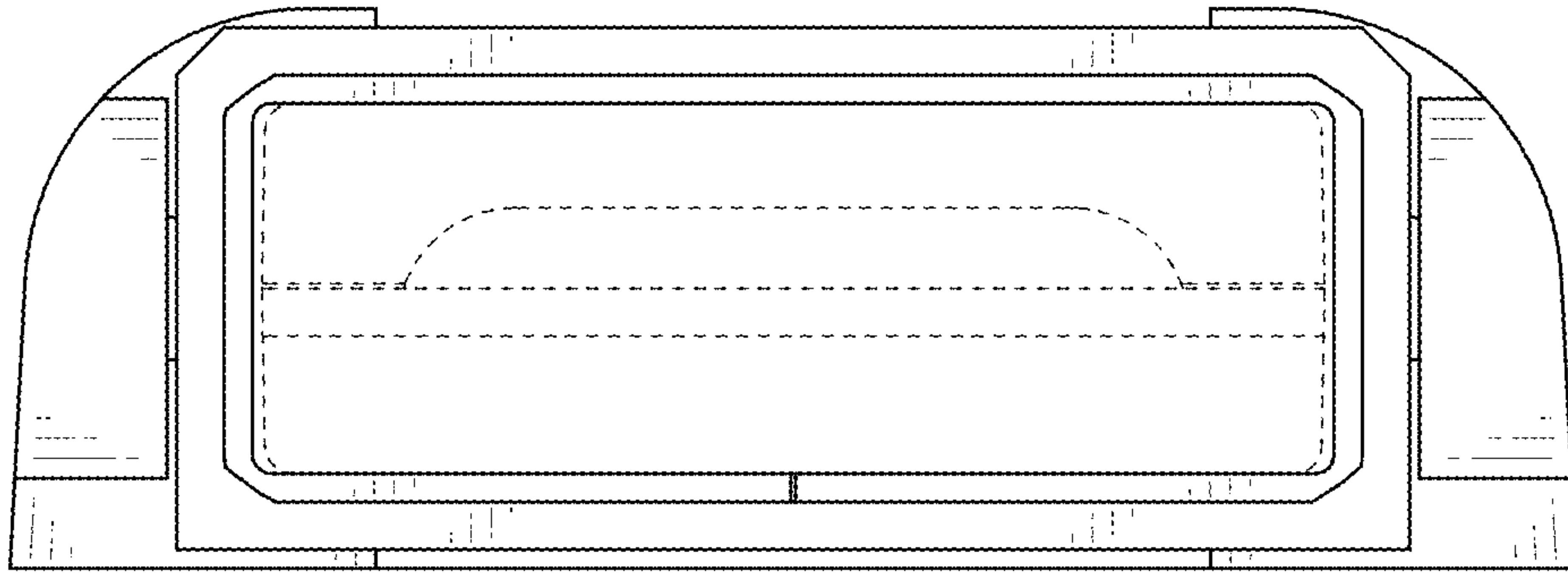


FIG. 7

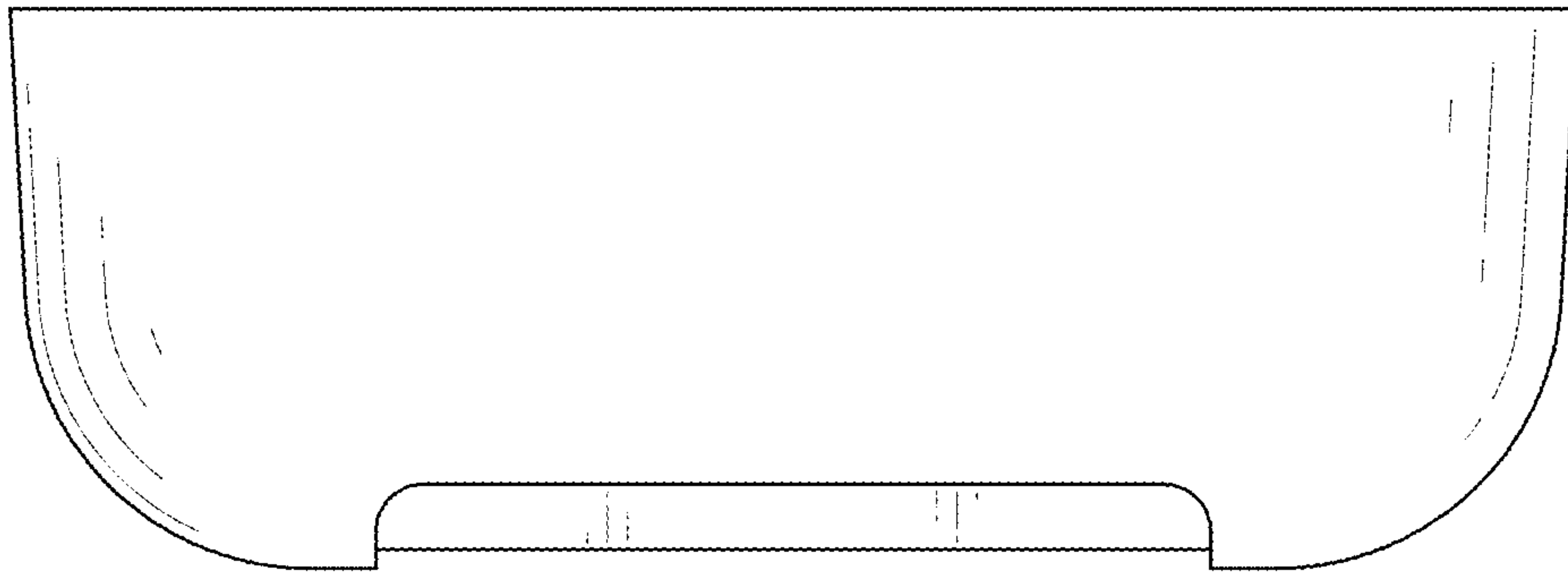


FIG. 8

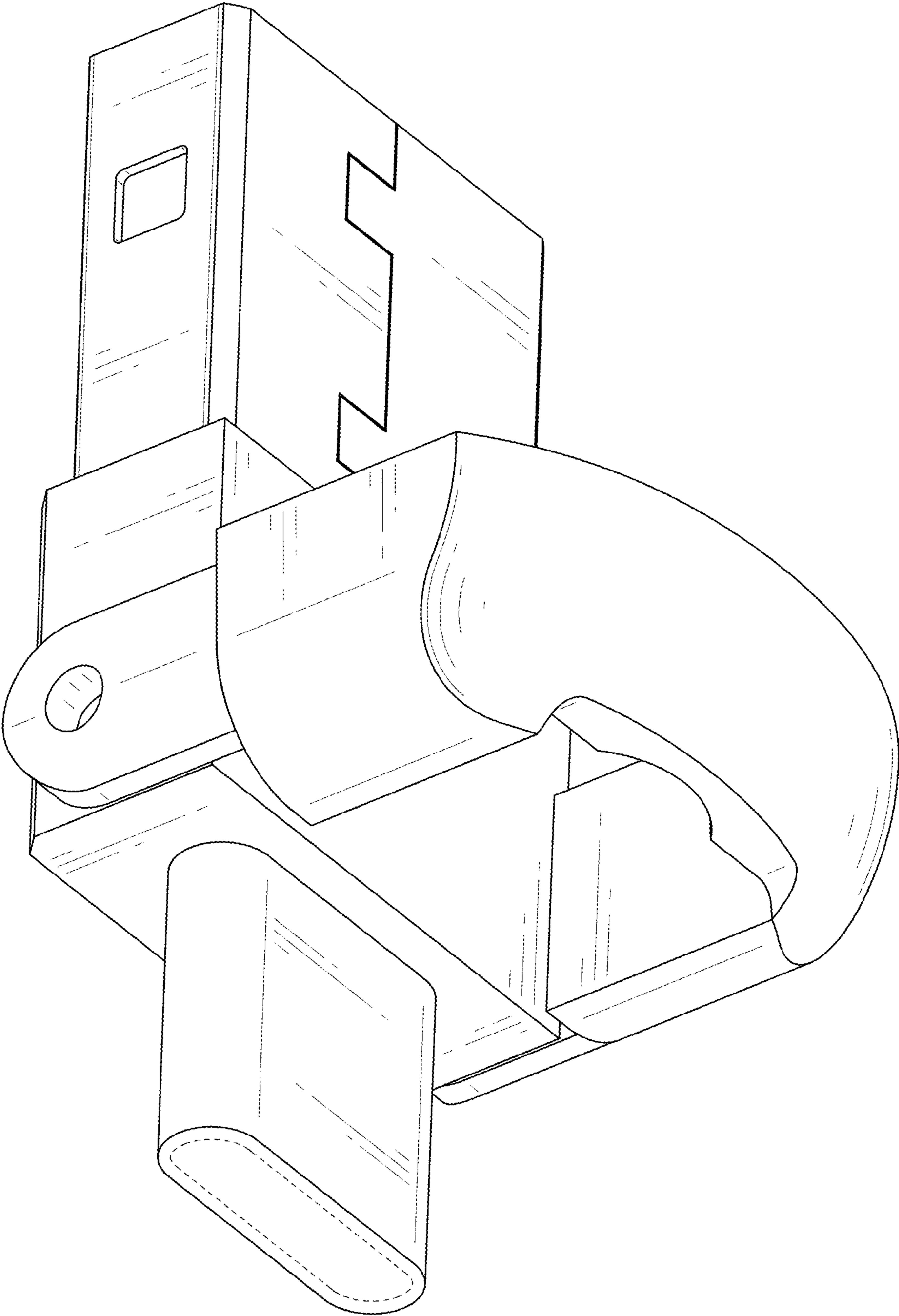


FIG. 9