



US00D903689S

(12) **United States Design Patent**
Zheng

(10) **Patent No.:** **US D903,689 S**

(45) **Date of Patent:** **** Dec. 1, 2020**

(54) **LAPTOP STAND**

(71) Applicant: **Shenzhen Ruibao Technology Co., Ltd.**, Shenzhen (CN)

(72) Inventor: **Ya Zheng**, Shenzhen (CN)

(**) Term: **15 Years**

(21) Appl. No.: **29/740,263**

(22) Filed: **Jul. 2, 2020**

(51) **LOC (12) Cl.** **08-07**

(52) **U.S. Cl.**

USPC **D14/447**

(58) **Field of Classification Search**

USPC D14/447, 432, 434, 439, 440, 451, 452,
D14/457, 239; D8/363, 373, 380;
D6/406.3, 406.4, 406.5, 406.6; D12/415
CPC A47B 21/04; A47B 2097/006; A47B
2097/005; A47B 2023/049; A45C
2011/002; A45C 2011/003; F16M
2200/00; F16M 13/00

See application file for complete search history.

(56) **References Cited**

U.S. PATENT DOCUMENTS

D589,964 S * 4/2009 Heggland D14/434
D672,356 S * 12/2012 Quijano D14/447
D674,805 S * 1/2013 Vincent D14/447
D678,886 S * 3/2013 Heckler D14/447
D683,348 S 5/2013 Xiang et al.
D705,785 S * 5/2014 Wang D14/447
D708,187 S 7/2014 Xiang
D733,155 S * 6/2015 van Hooft D14/447

D746,292 S * 12/2015 Heckler D14/447
D786,883 S 5/2017 Chen
D788,781 S * 6/2017 Chen D14/447
D824,915 S * 8/2018 Hsu D14/447
D829,725 S * 10/2018 Luo D14/447
D833,447 S * 11/2018 Zhang D14/447
D840,407 S * 2/2019 Hsu D14/447
D868,073 S * 11/2019 Smith D14/447

* cited by examiner

Primary Examiner — Angela J Lee

(74) *Attorney, Agent, or Firm* — HYIP

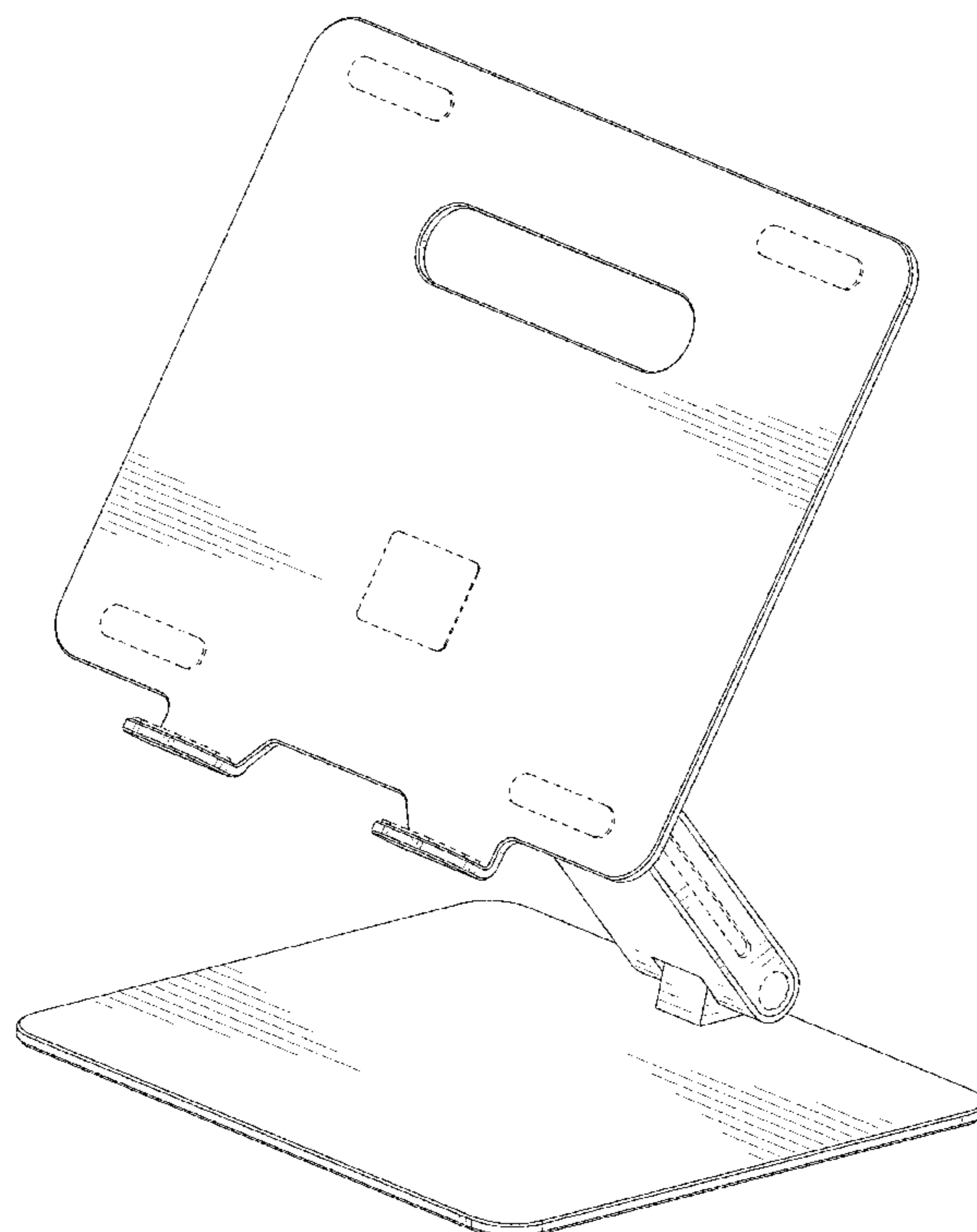
(57) **CLAIM**

The ornamental design for a laptop stand, as shown and described.

DESCRIPTION

FIG. 1 is a first perspective view of a laptop stand showing my new design;
FIG. 2 is a second perspective view thereof;
FIG. 3 is a front view thereof;
FIG. 4 is a back view thereof;
FIG. 5 is a left side view thereof;
FIG. 6 is a right side view thereof;
FIG. 7 is a top view thereof;
FIG. 8 is a bottom view thereof; and,
FIG. 9 is a perspective view of another state of the laptop stand thereof.
The broken lines shown in the drawings depict portions of the laptop stand in which the design, is embodied that form no part of the claimed design.

1 Claim, 9 Drawing Sheets



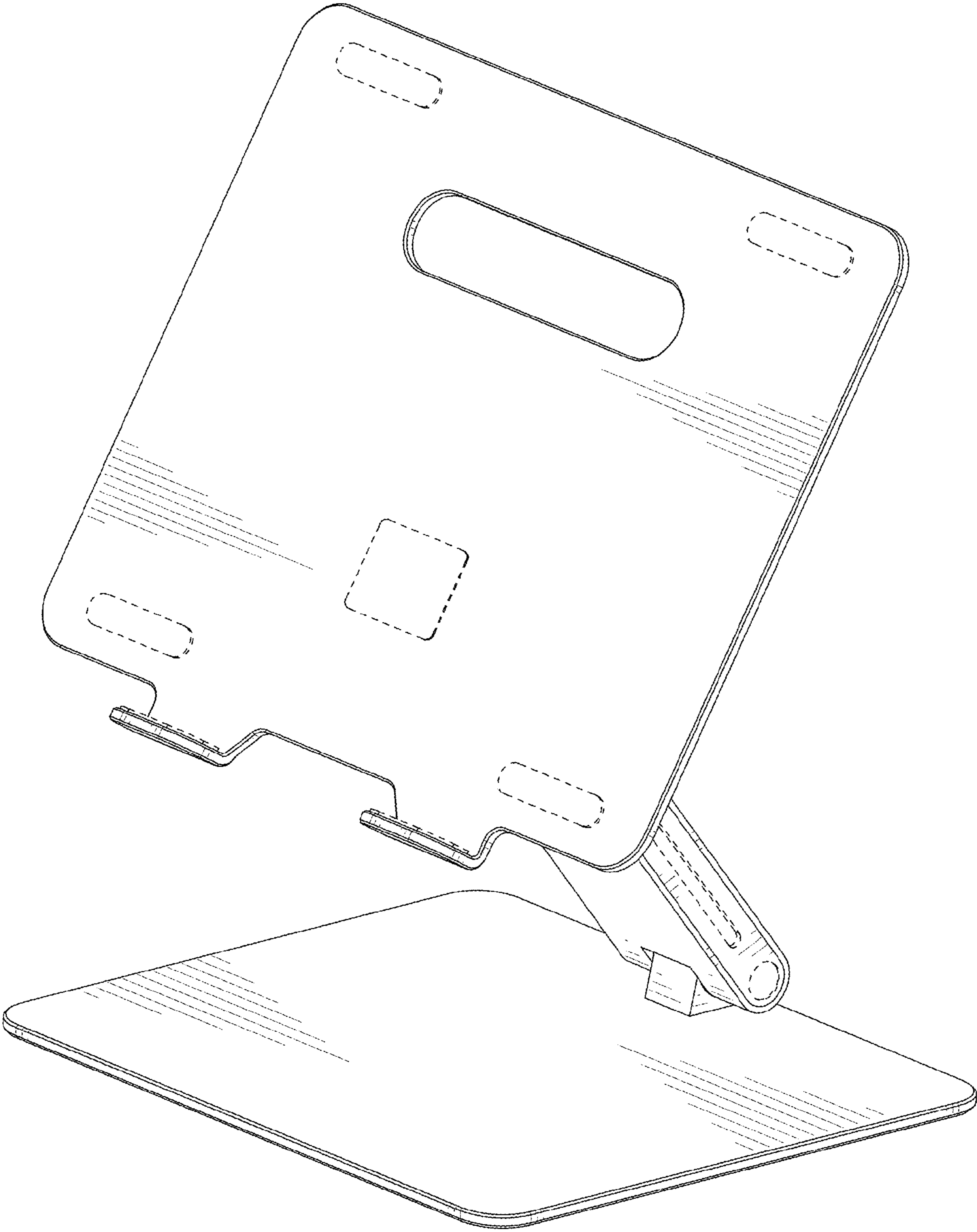


FIG. 1

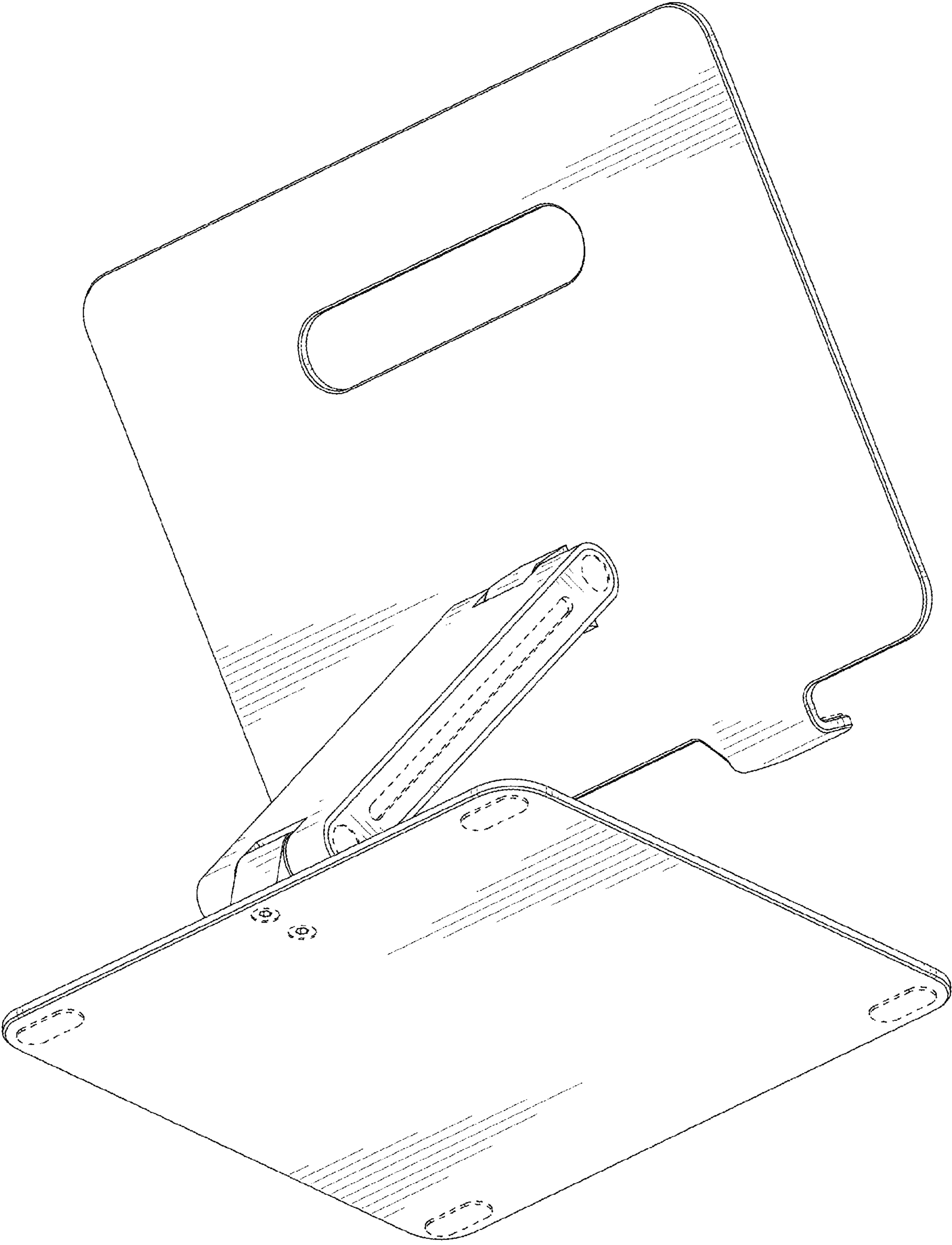


FIG. 2

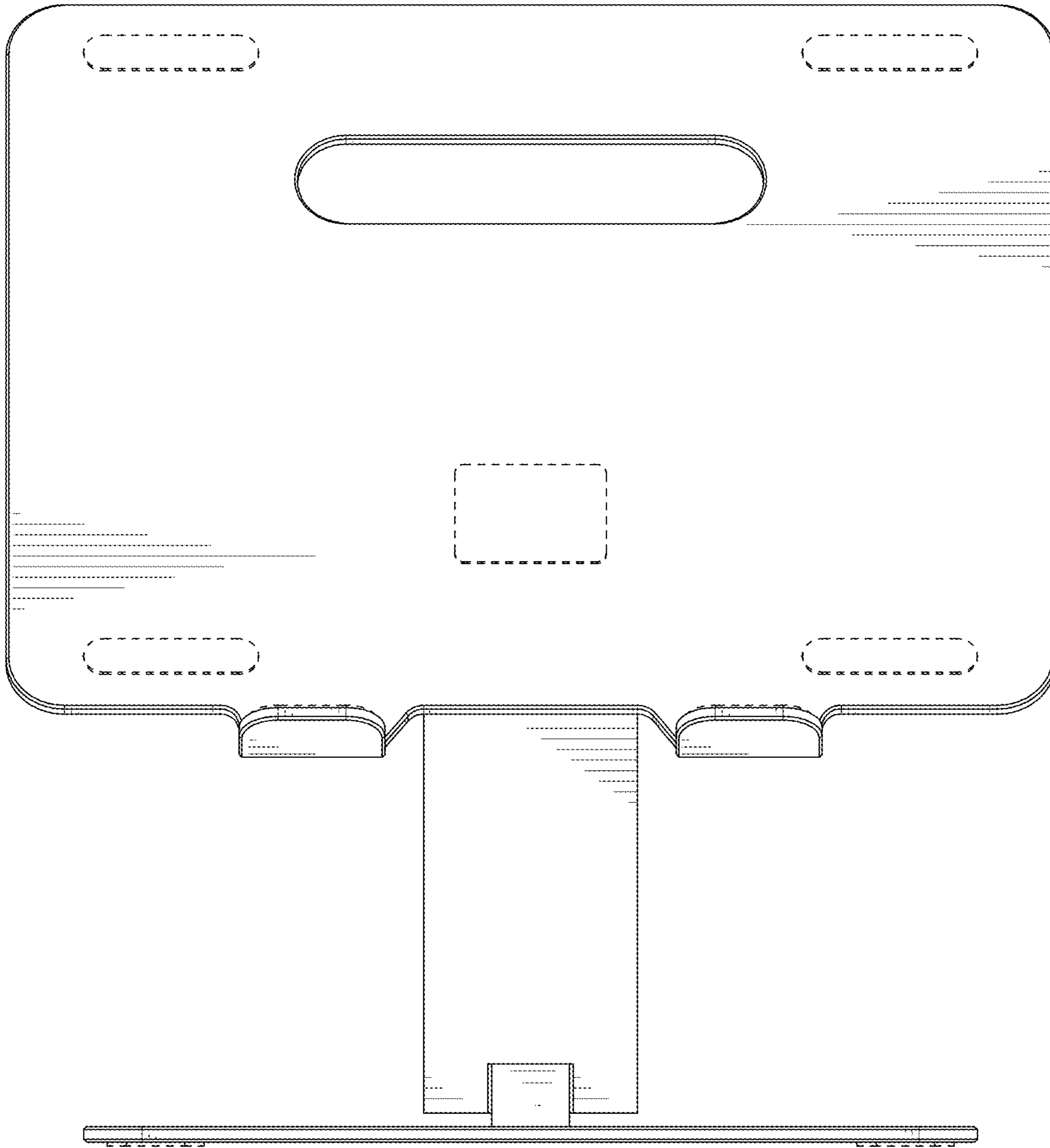


FIG. 3

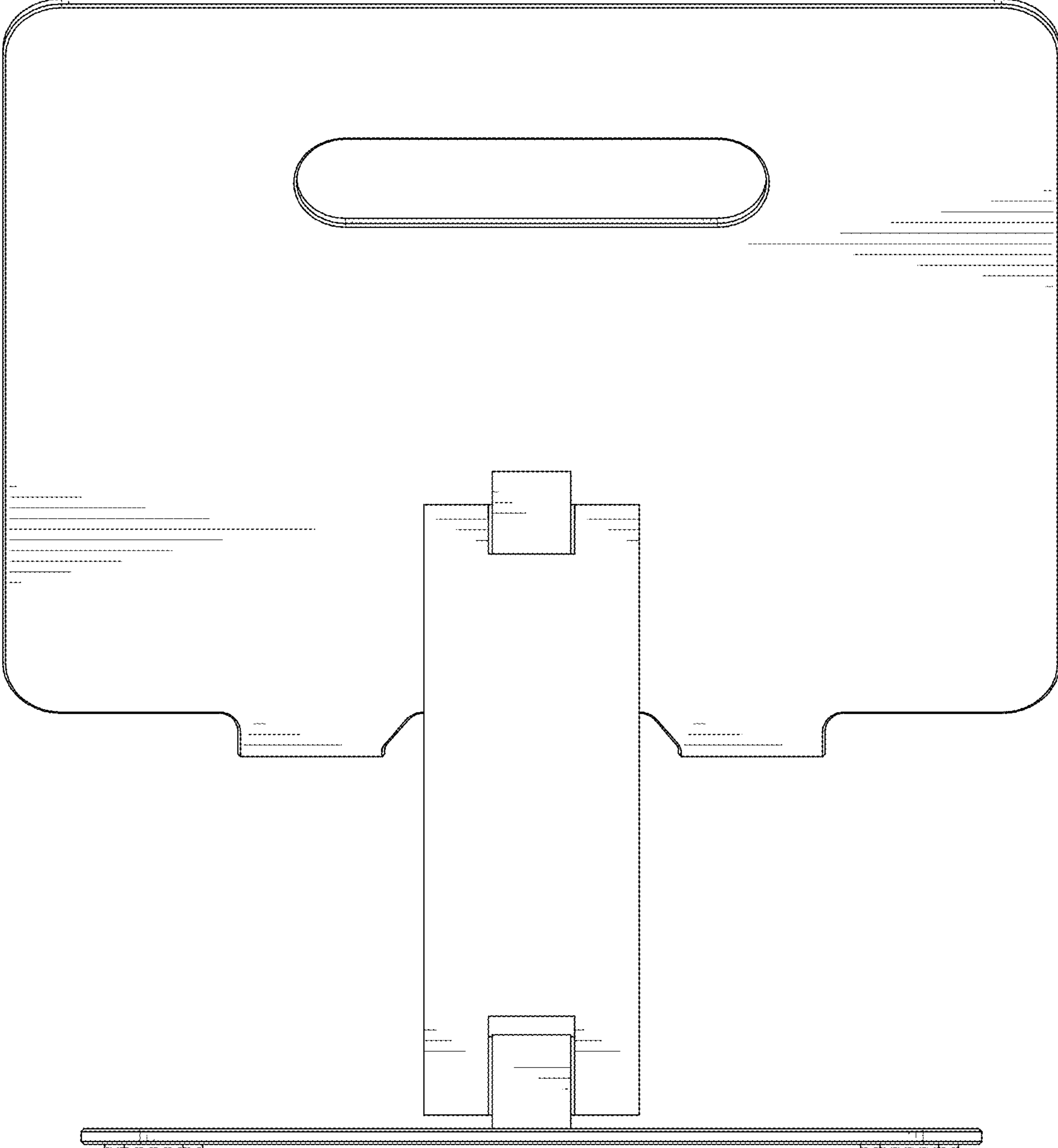


FIG. 4

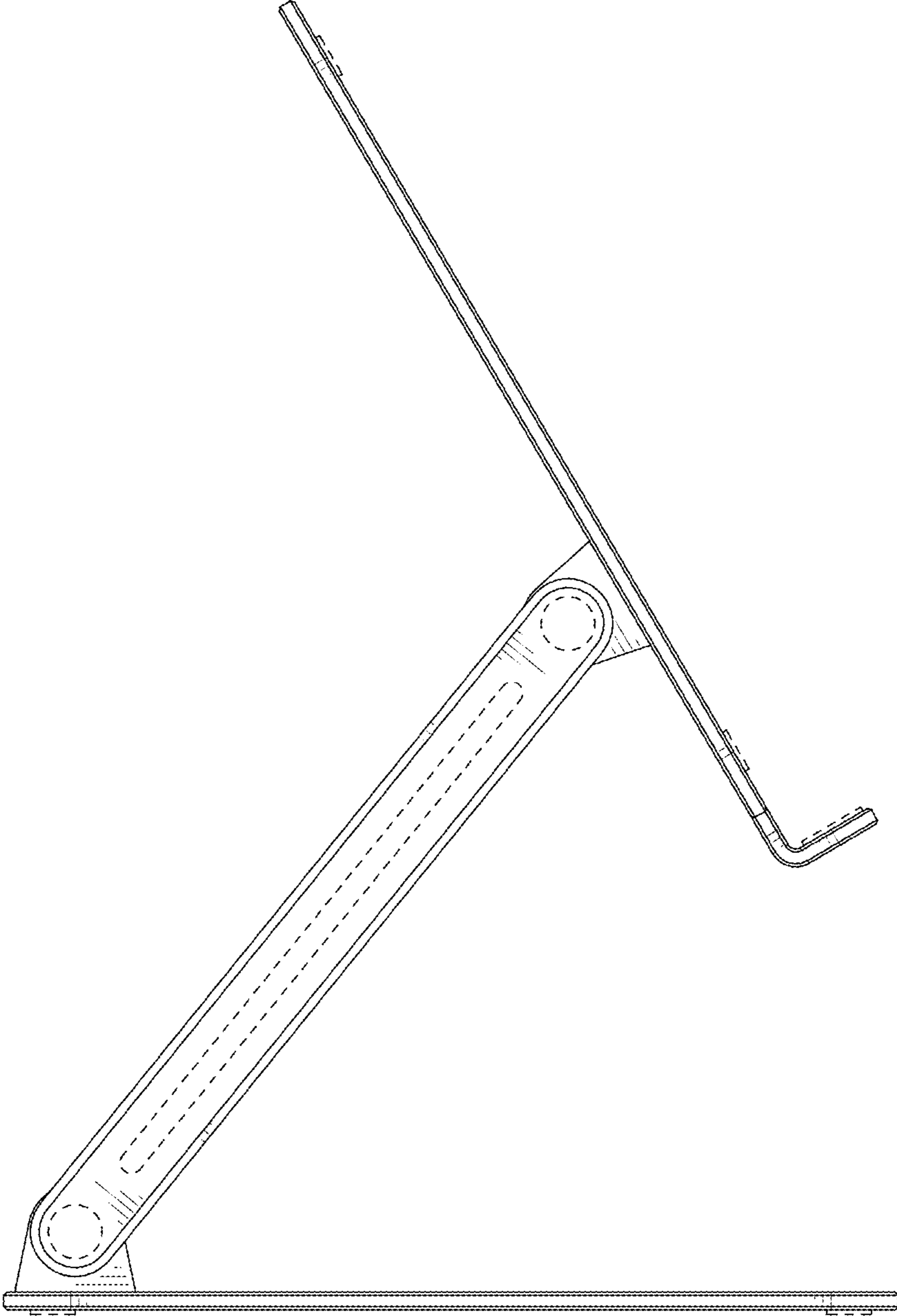


FIG. 5

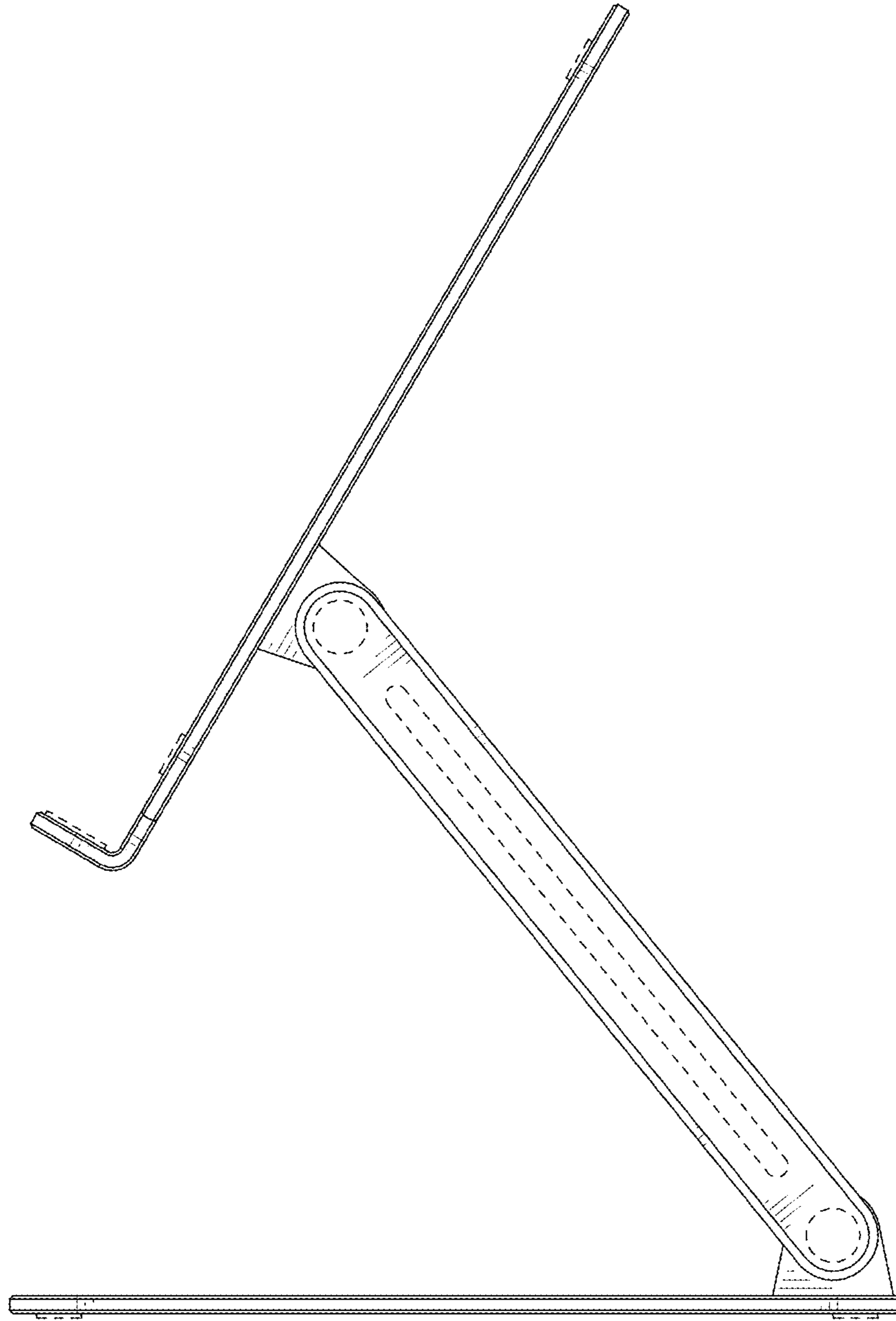


FIG. 6

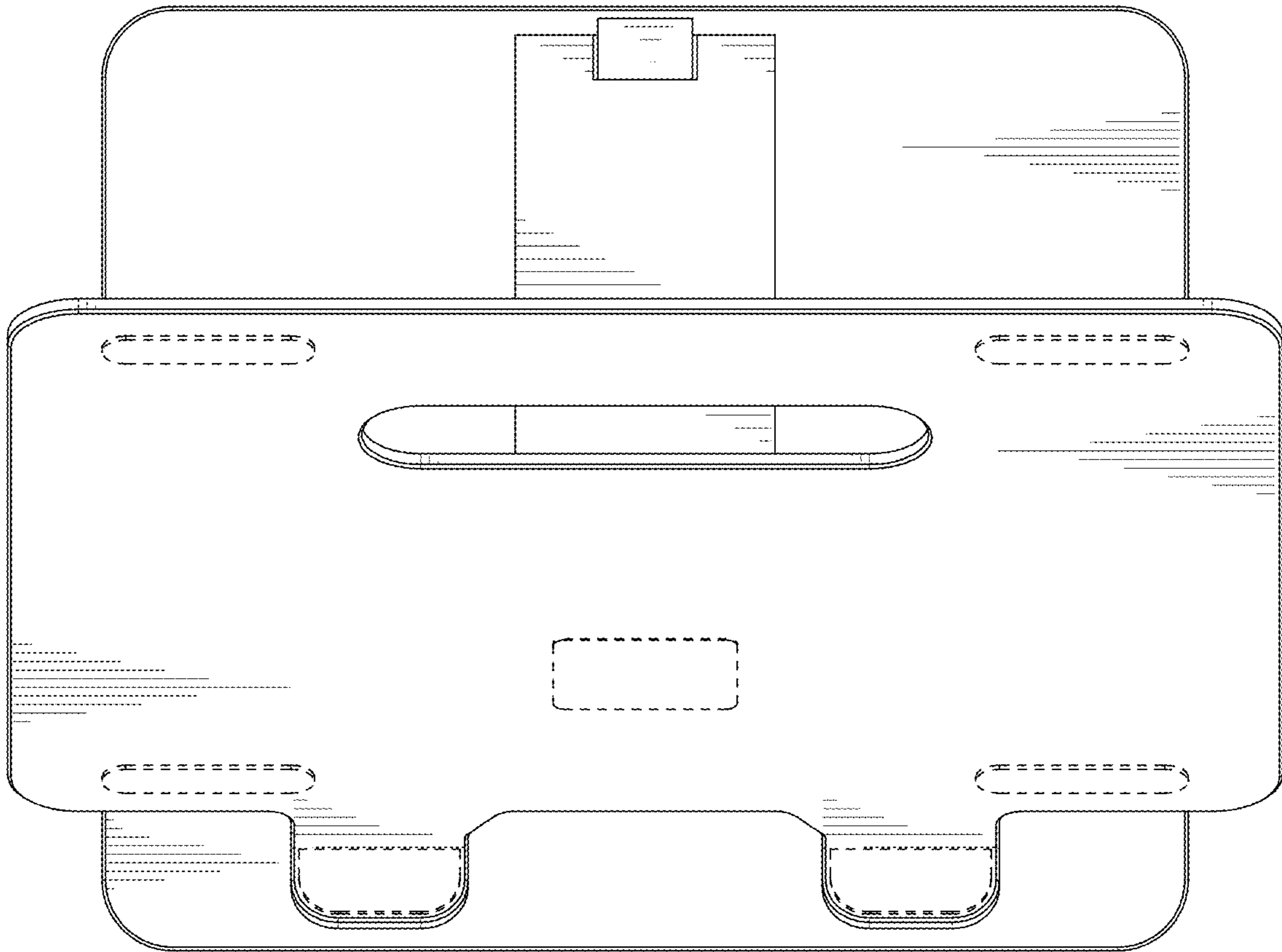


FIG. 7

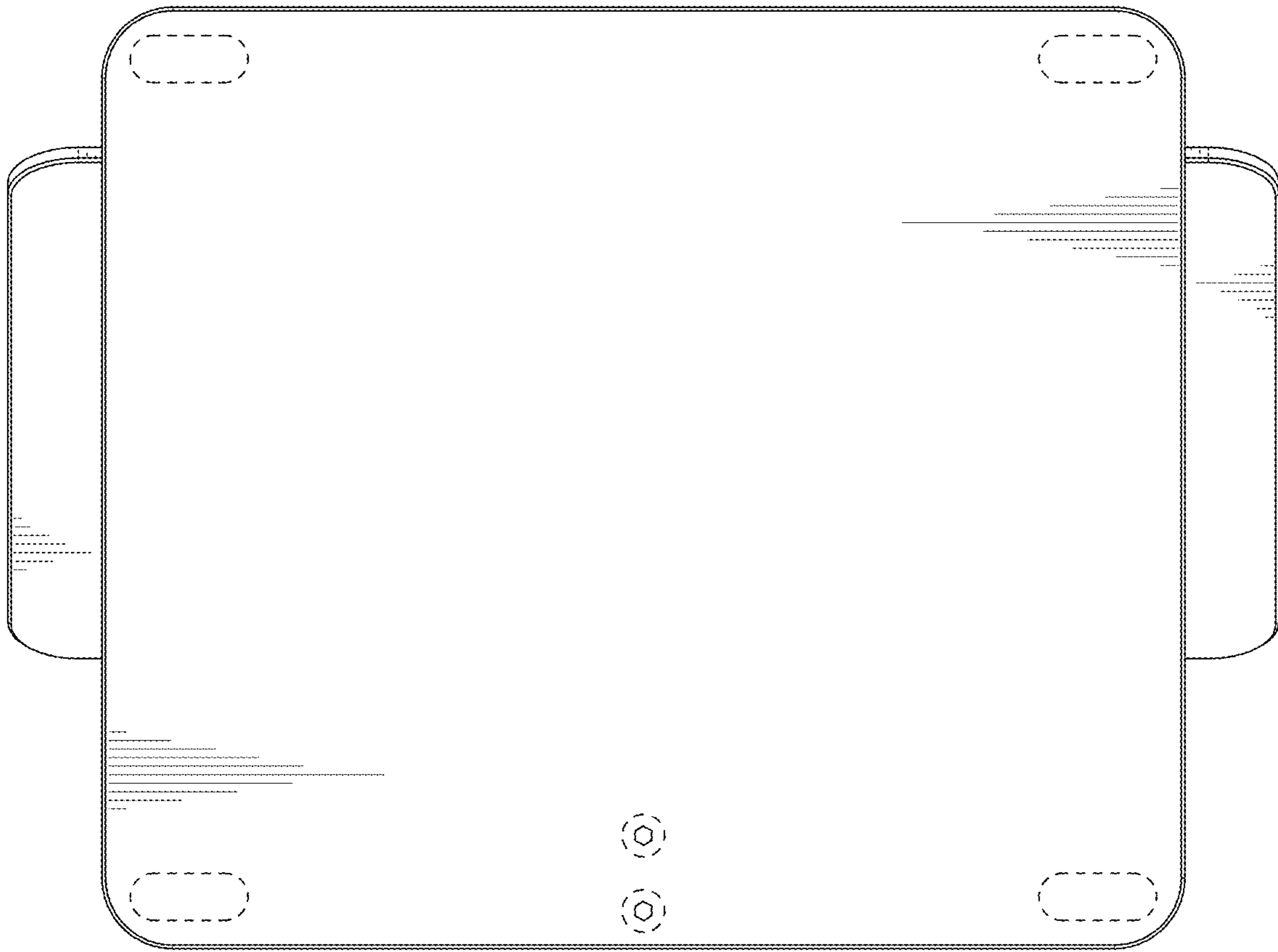


FIG. 8

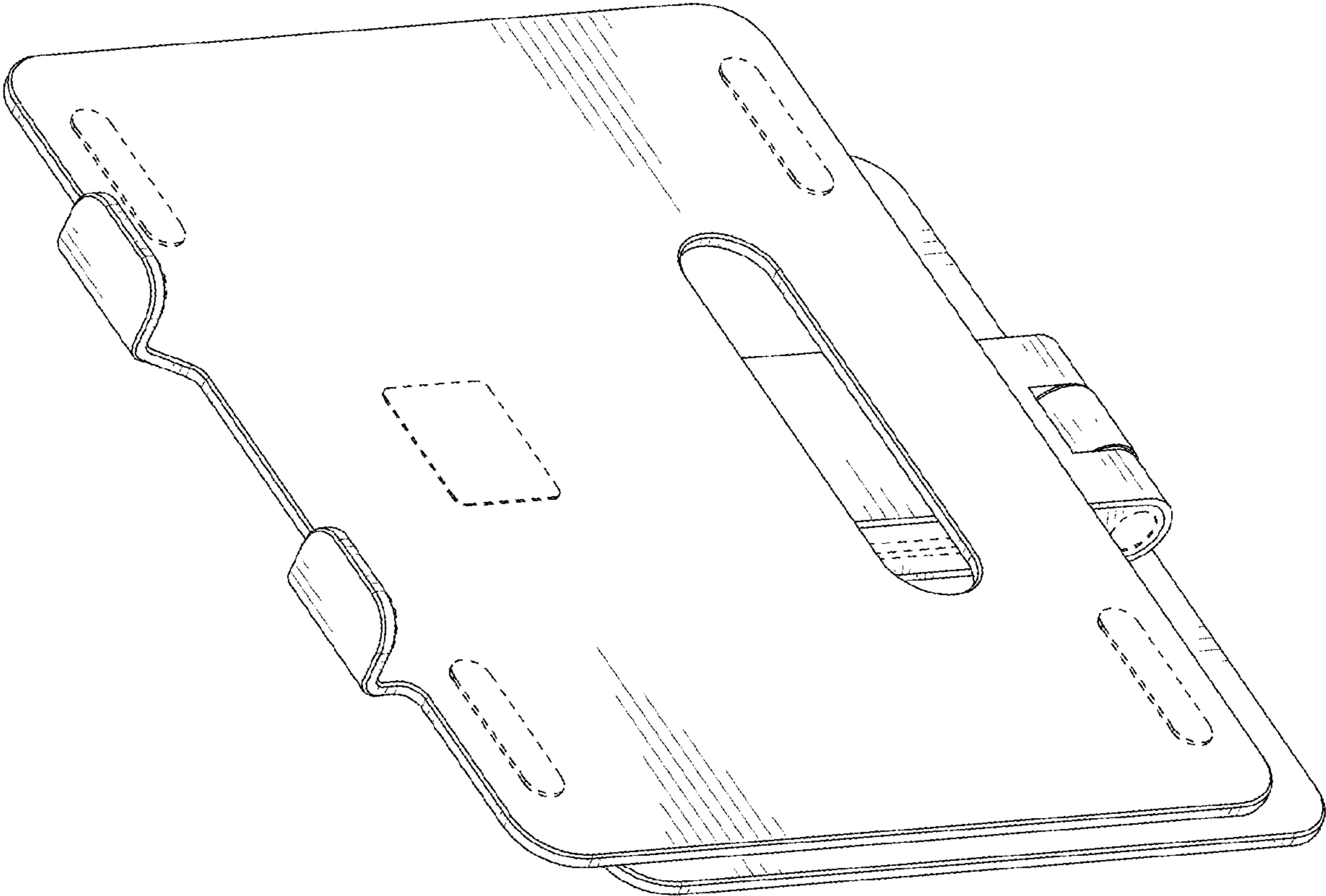


FIG. 9