



US00D903688S

(12) **United States Design Patent**
Hong

(10) **Patent No.:** **US D903,688 S**

(45) **Date of Patent:** **** Dec. 1, 2020**

(54) **LAPTOP STAND**

(71) Applicant: **Coolcold Technology (Shen Zhen) Co., Ltd.**, Shenzhen (CN)

(72) Inventor: **Songliang Hong**, Shenzhen (CN)

(73) Assignee: **Coolcold Technology (Shen Zhen) Co., Ltd.**, Shenzhen (CN)

(**) Term: **15 Years**

(21) Appl. No.: **29/699,072**

(22) Filed: **Jul. 23, 2019**

(51) **LOC (12) Cl.** **08-07**

(52) **U.S. Cl.**
USPC **D14/447**

(58) **Field of Classification Search**
USPC D14/447, 432, 434, 439, 440, 451, 452,
D14/457, 239, 253; D8/363, 373, 380;
D6/406.3, 406.4, 406.5, 406.6; D12/415
CPC A47B 21/04; A47B 2097/006; A47B
2097/005; A47B 2023/049; A45C
2011/002; A45C 2011/003; F16M
2200/00; F16M 13/00
See application file for complete search history.

(56) **References Cited**

U.S. PATENT DOCUMENTS

- 4,460,146 A * 7/1984 Raggiotti A47G 1/24
248/456
- D573,598 S * 7/2008 Chu D14/447
- D626,129 S * 10/2010 Lutz D14/447
- D626,964 S * 11/2010 Richardson D14/447

- D678,886 S * 3/2013 Heckler D14/447
- D693,824 S * 11/2013 Erdfarb D14/447
- D705,785 S * 5/2014 Wang D14/447
- D710,365 S * 8/2014 Huang D14/447
- D721,710 S * 1/2015 Messing D14/447
- D733,155 S * 6/2015 van Hooft D14/447
- D804,490 S * 12/2017 Wei D14/447
- D824,914 S * 8/2018 Okuley D14/447
- D824,915 S * 8/2018 Hsu D14/447

* cited by examiner

Primary Examiner — Angela J Lee

(74) *Attorney, Agent, or Firm* — ScienBiziP, P.C.

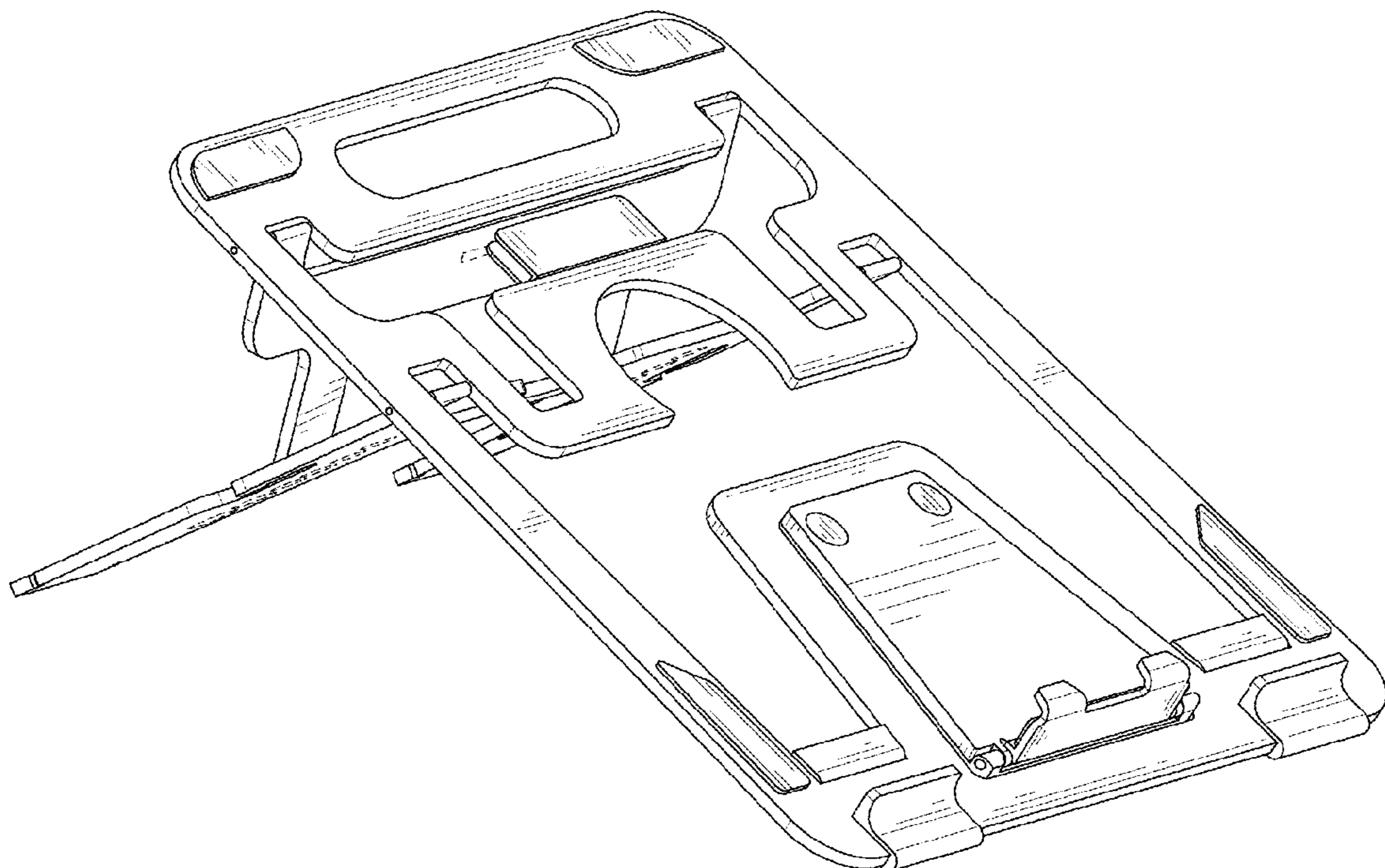
(57) **CLAIM**

The ornamental design for a laptop stand, as shown and described.

DESCRIPTION

FIG. 1 is a first perspective view of a laptop stand, showing my design.
 FIG. 2 is a second perspective view thereof.
 FIG. 3 is a front elevation view thereof.
 FIG. 4 is a rear elevation view thereof.
 FIG. 5 is a left side elevation view thereof.
 FIG. 6 is a right side elevation view thereof.
 FIG. 7 is a top plan view thereof.
 FIG. 8 is a bottom plan view thereof; and,
 FIG. 9 is a reference view of the laptop stand showing a status when legs of the laptop stand are stowed.
 The details shown in broken lines form no part of the claimed design.

1 Claim, 9 Drawing Sheets



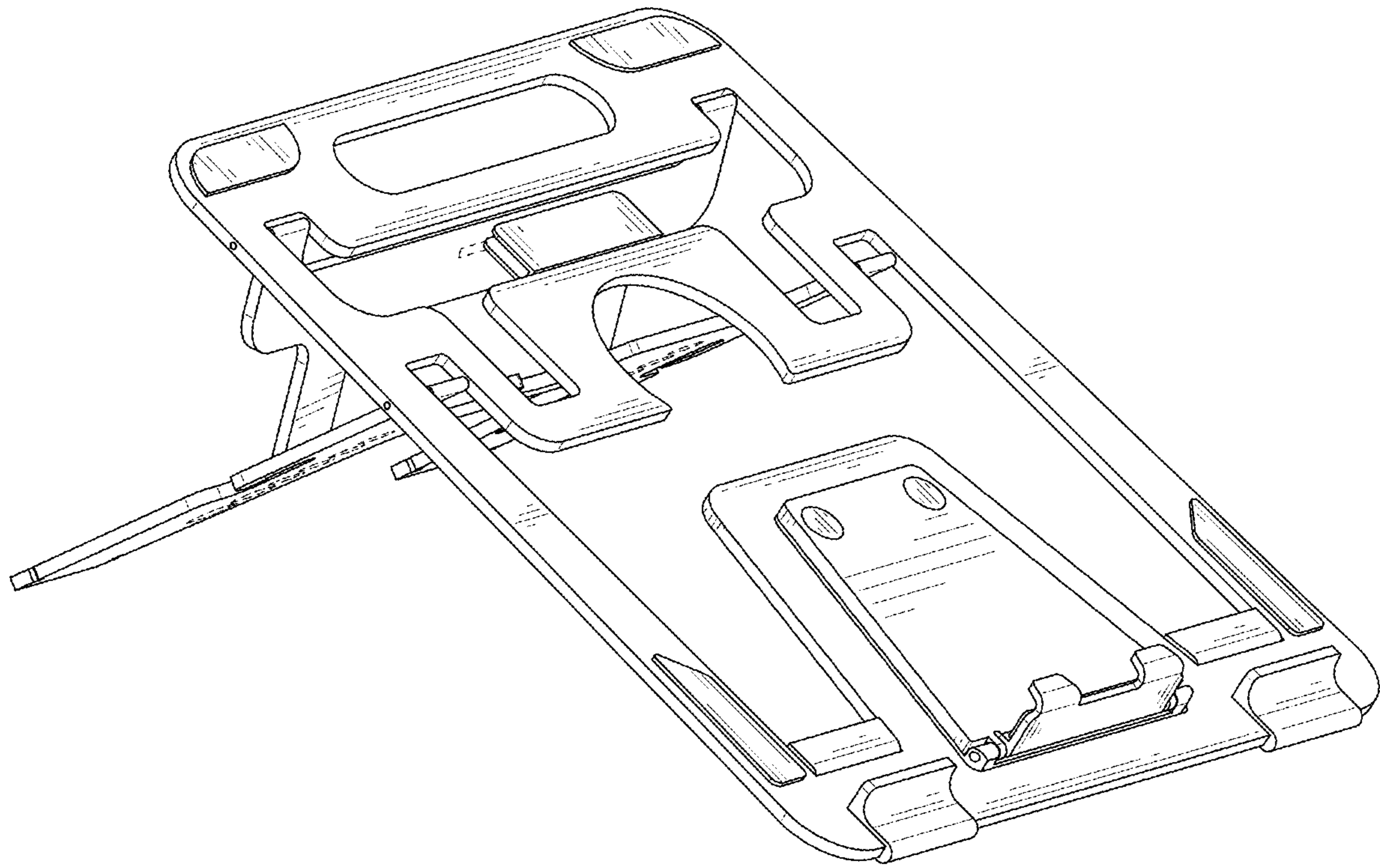


FIG. 1

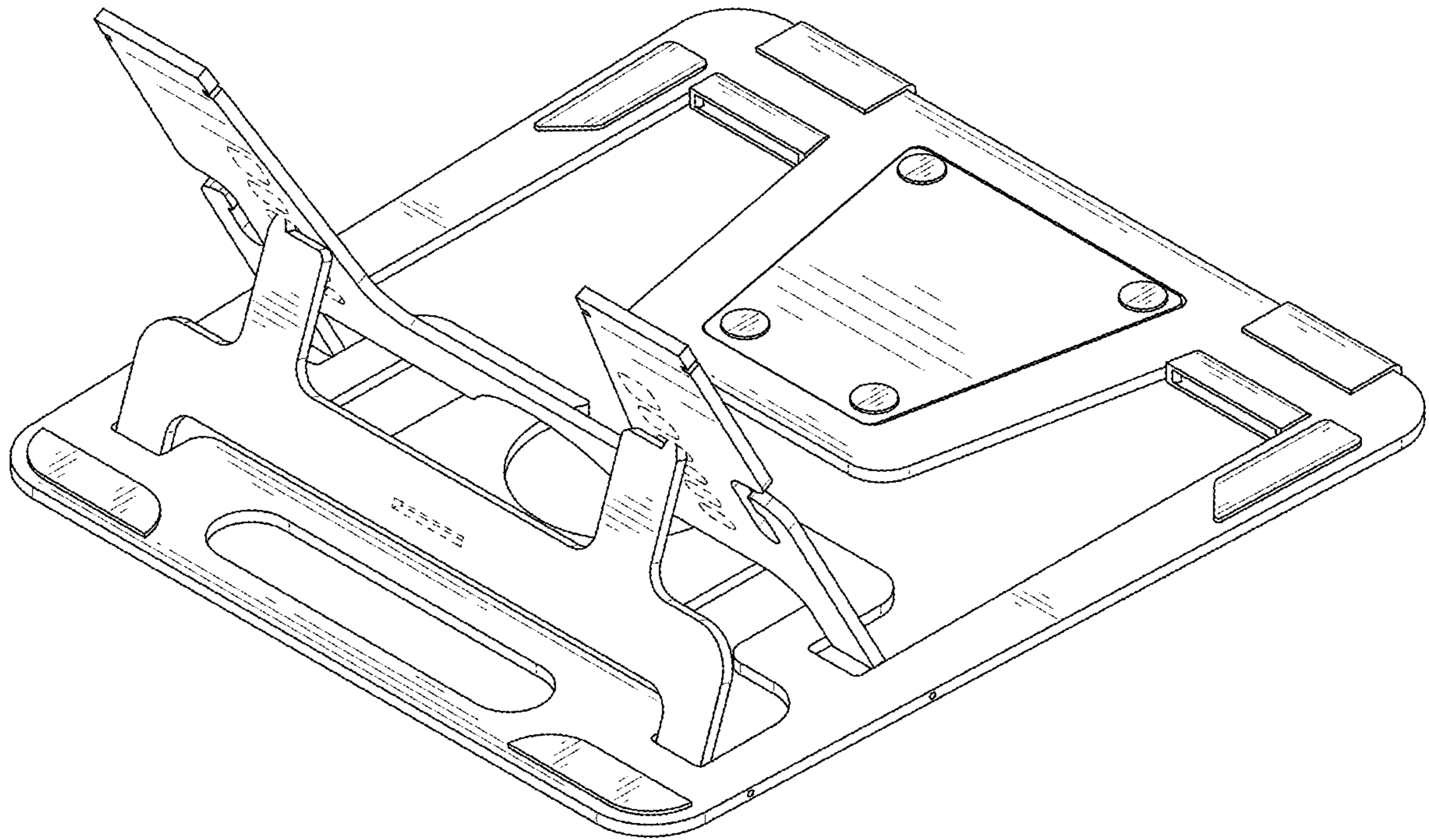


FIG. 2

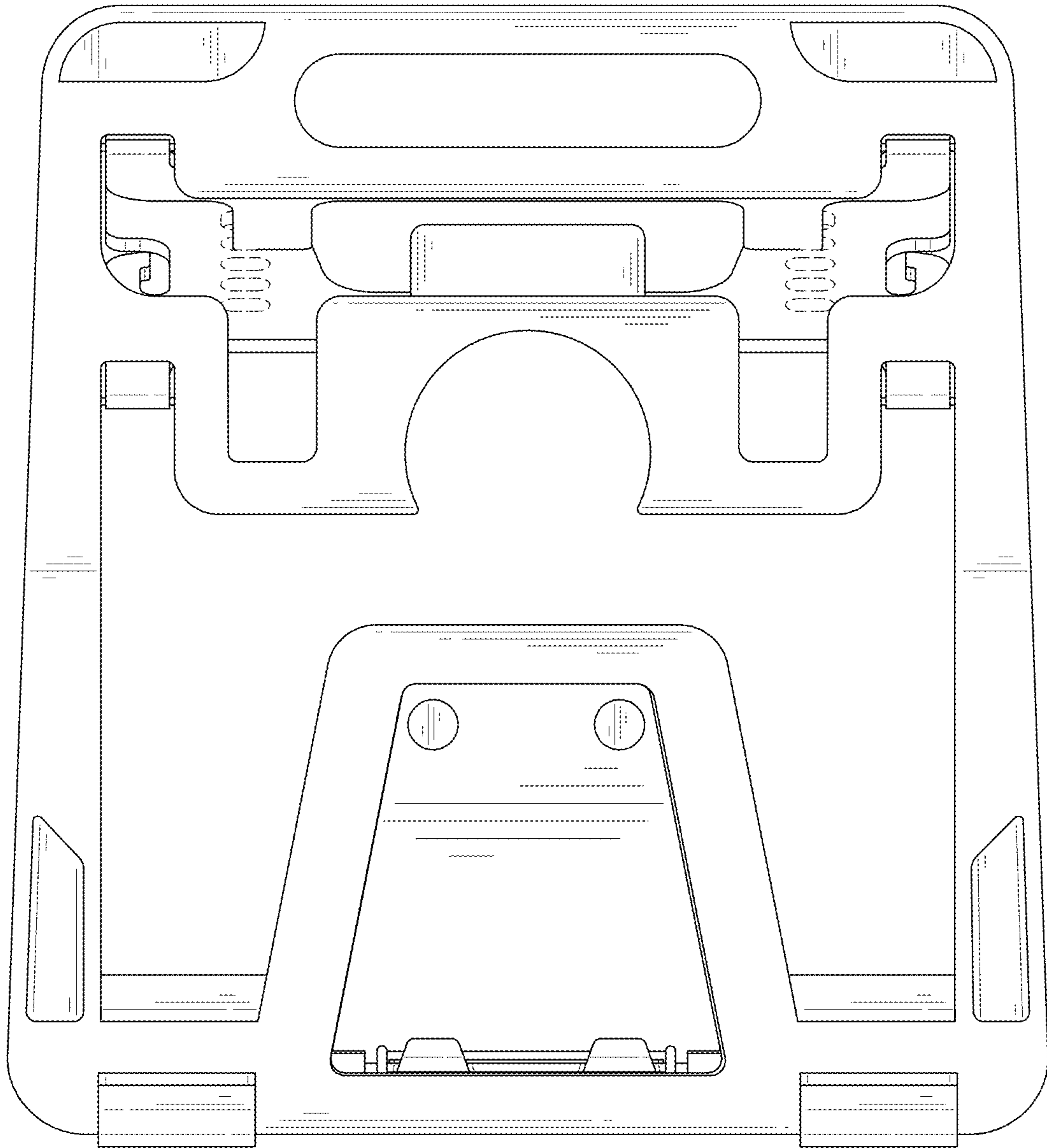


FIG. 3

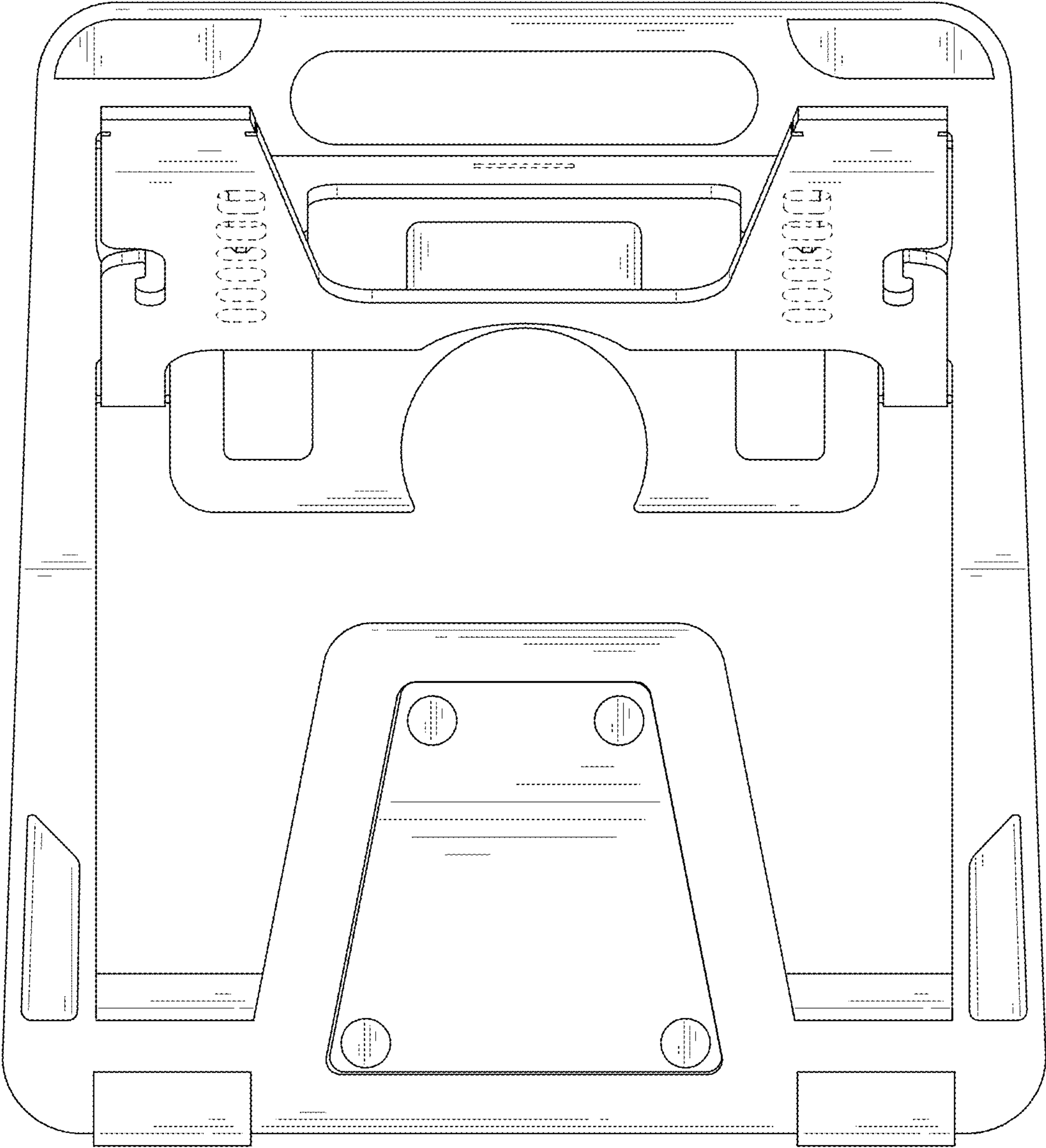


FIG. 4

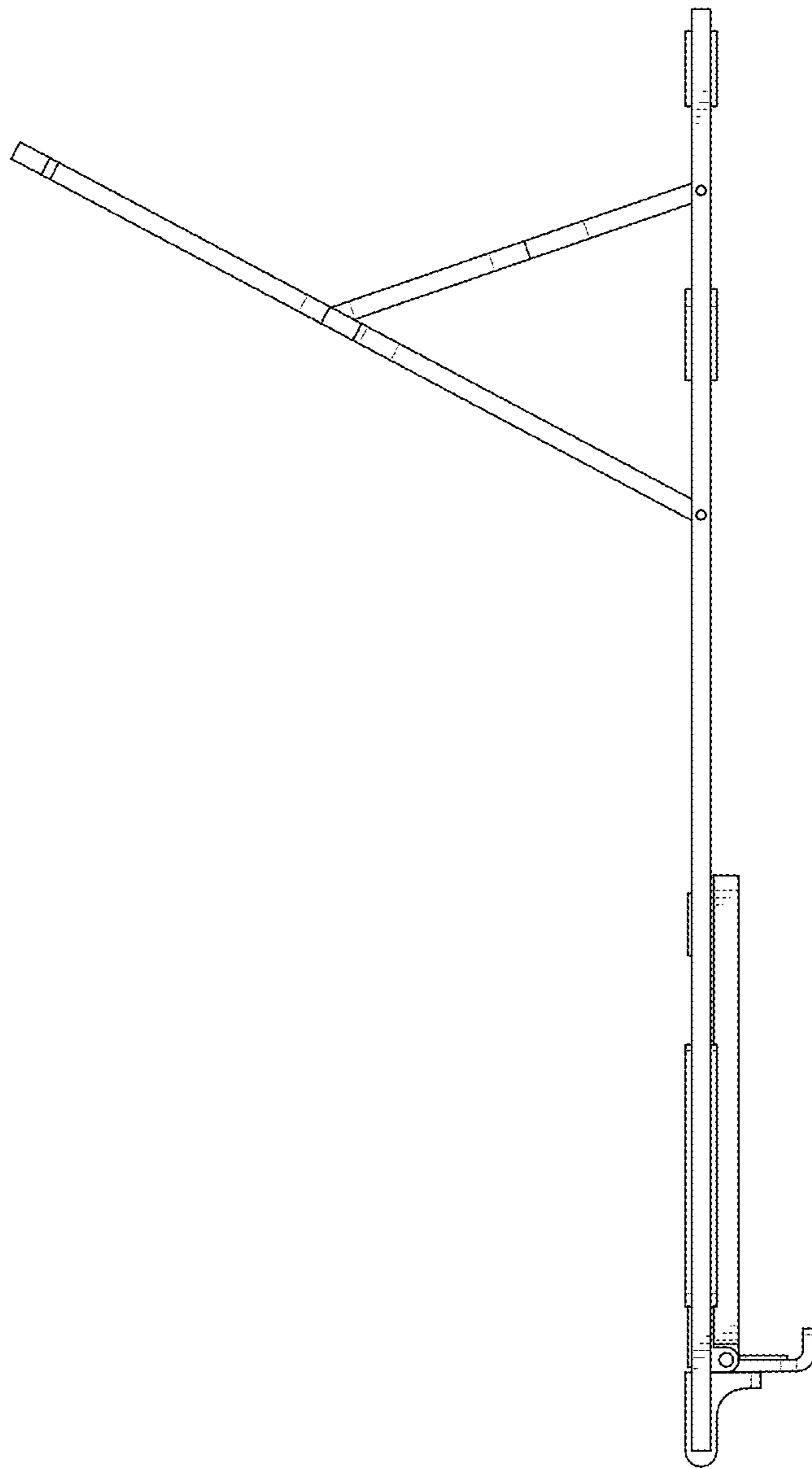


FIG. 5

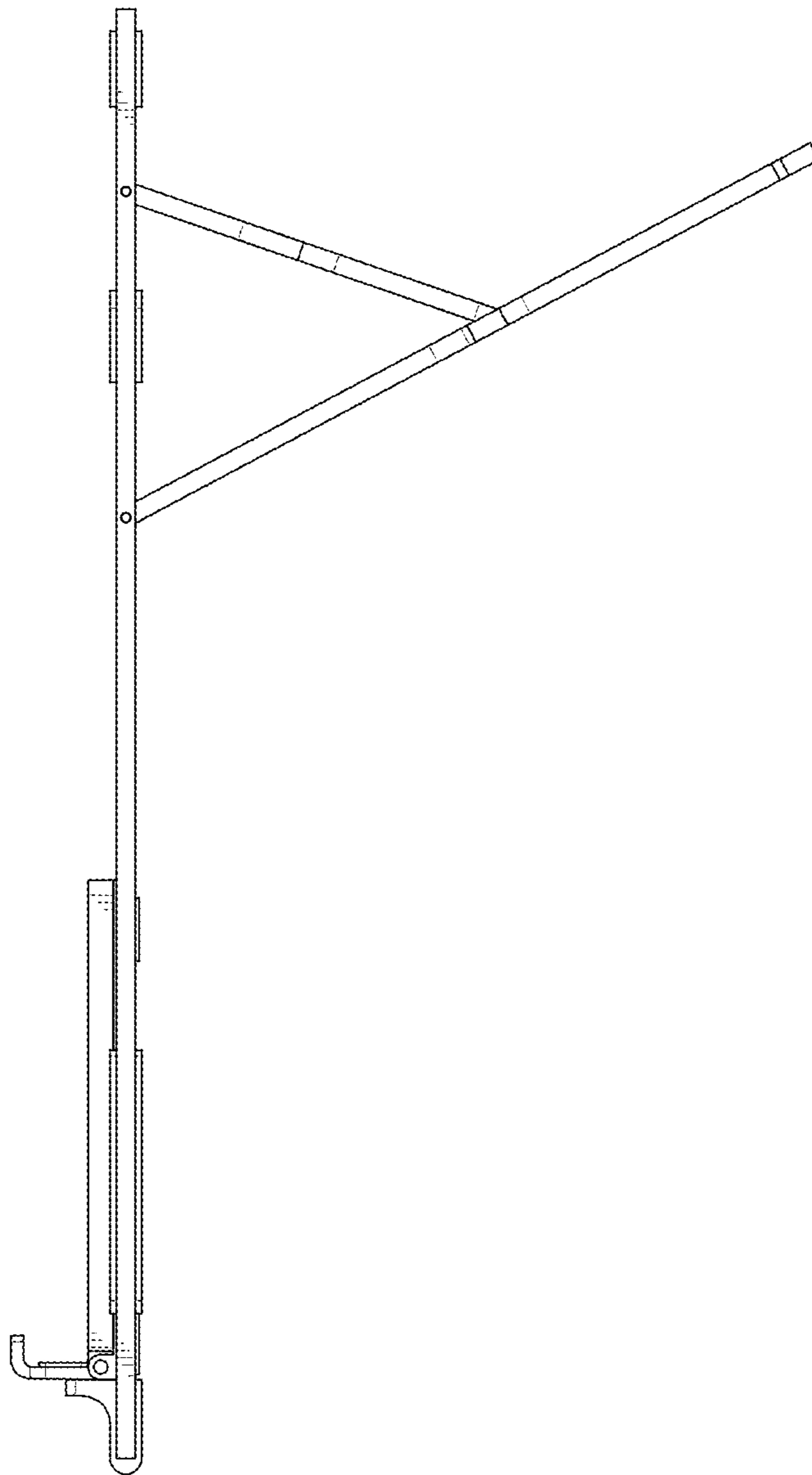


FIG. 6

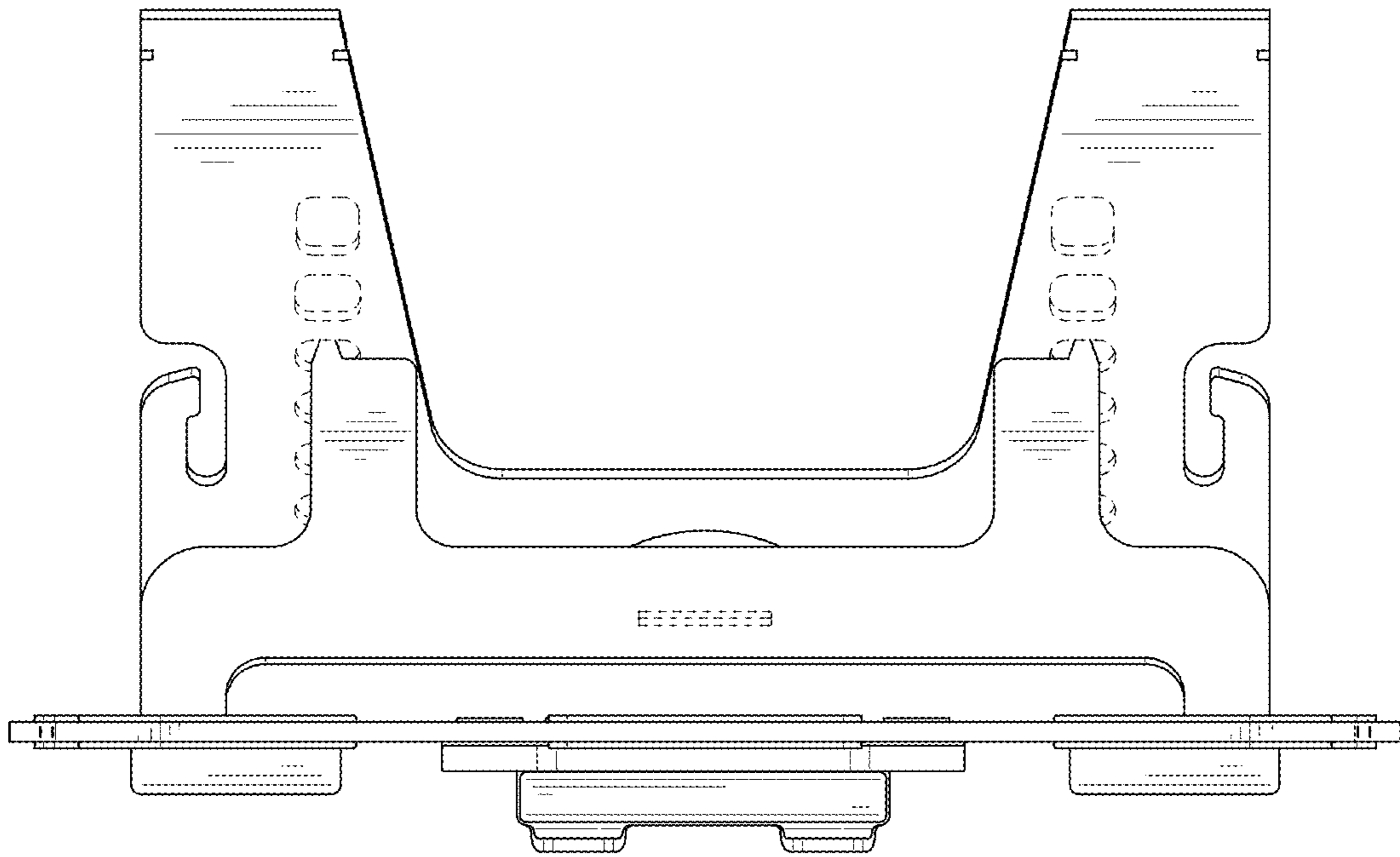


FIG. 7

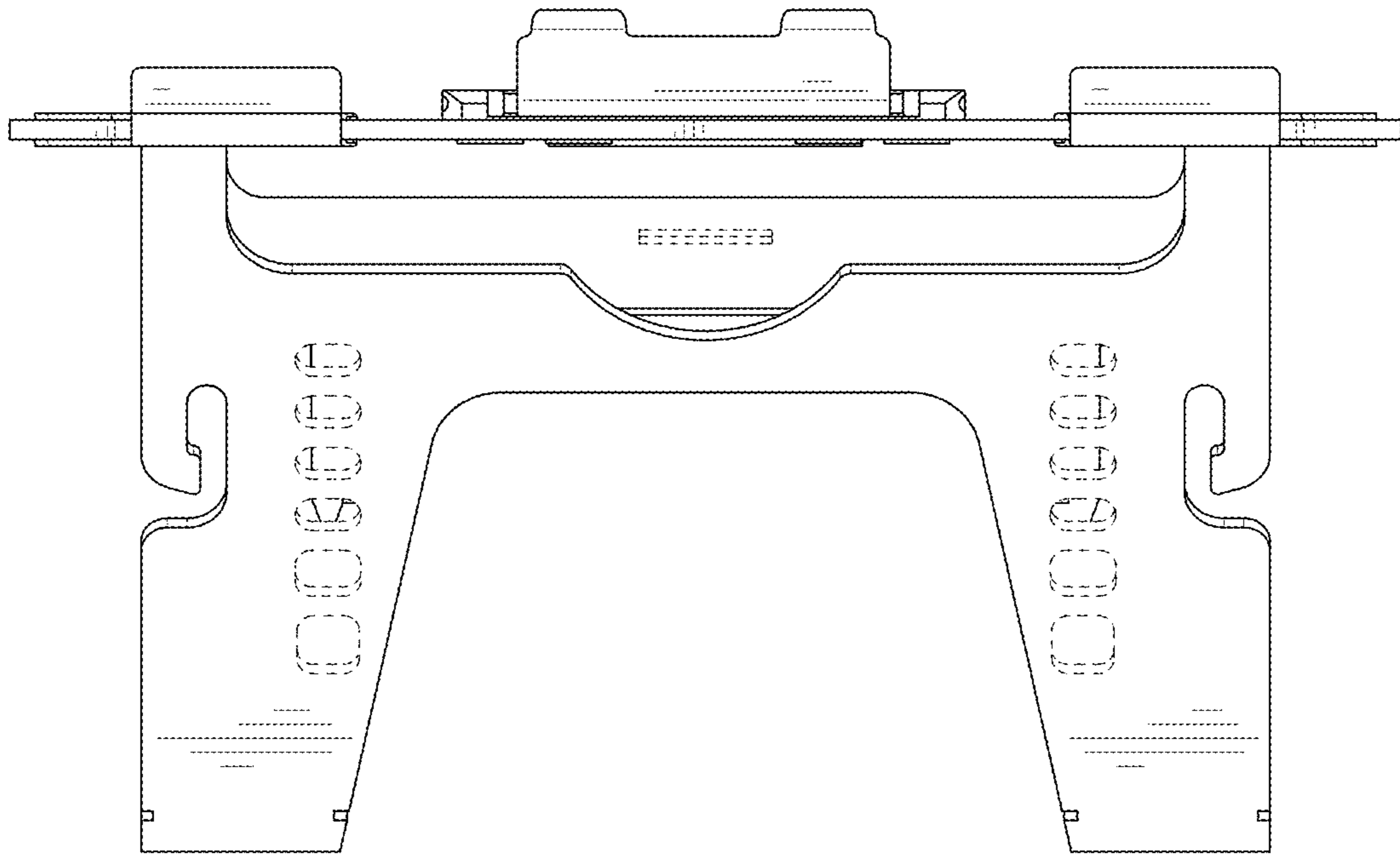


FIG. 8

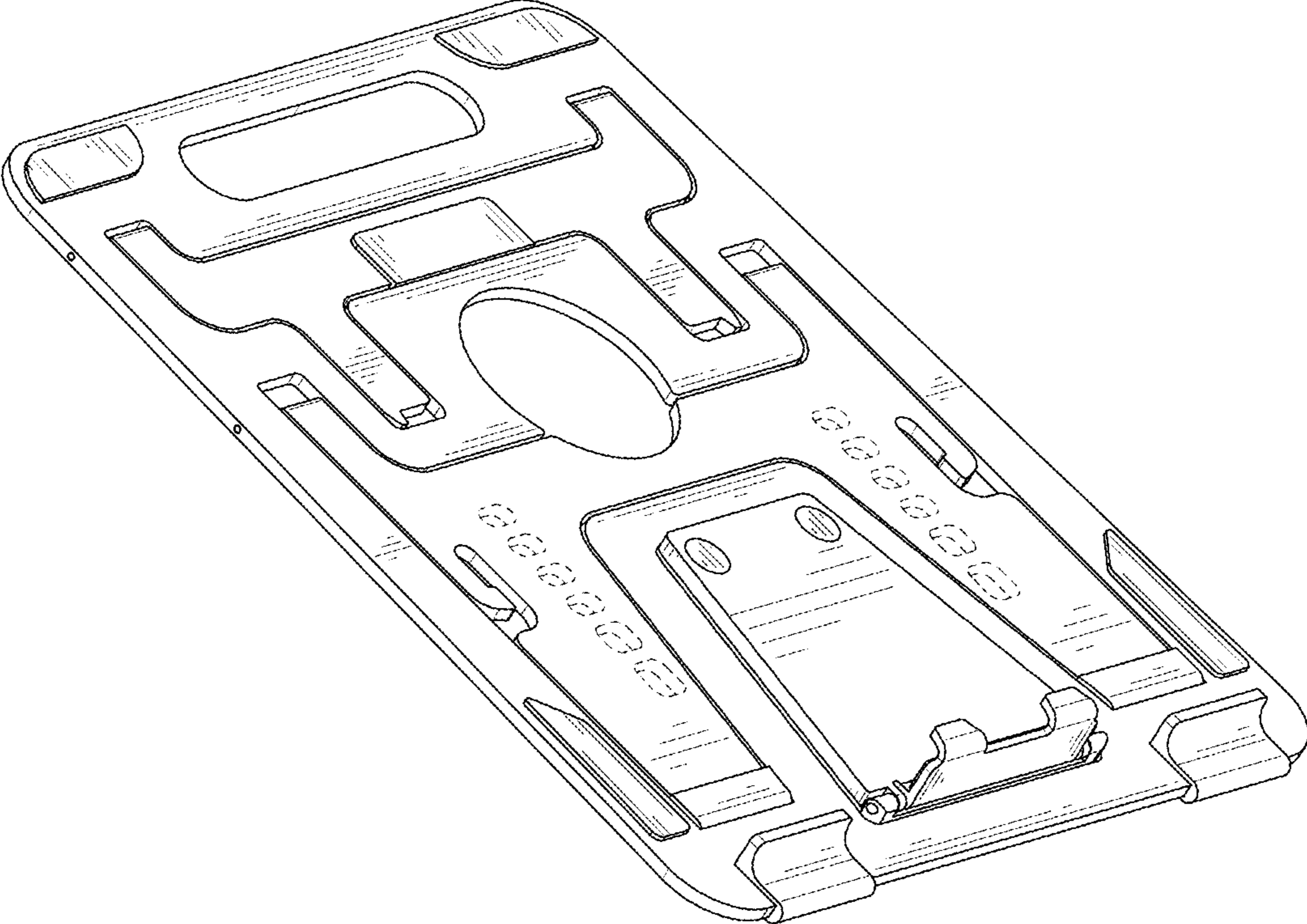


FIG. 9