



US00D903687S

(12) **United States Design Patent** (10) **Patent No.:** **US D903,687 S**
Moore (45) **Date of Patent:** **** Dec. 1, 2020**

(54) **DEVICE COVER**

(71) Applicant: **Amazon Technologies, Inc.**, Seattle, WA (US)

(72) Inventor: **Jesse Wheeler Moore**, Oakland, CA (US)

(73) Assignee: **Amazon Technologies, Inc.**, Seattle, WA (US)

(**) Term: **15 Years**

(21) Appl. No.: **29/718,867**

(22) Filed: **Dec. 30, 2019**

Related U.S. Application Data

(62) Division of application No. 29/685,211, filed on Mar. 27, 2019, now Pat. No. Des. 875,101, which is a division of application No. 29/644,528, filed on Apr. 18, 2018, now Pat. No. Des. 850,458.

(51) **LOC (12) Cl.** **14-02**

(52) **U.S. Cl.**
USPC **D14/440**

(58) **Field of Classification Search**
USPC D14/440, 447, 250; 206/45.23, 320, 206/45.2; 361/679.55; 294/25; 224/218
CPC G06F 1/1628; G06F 1/1626; G06F 1/669; A47B 23/044; H04B 1/3888
See application file for complete search history.

(56) **References Cited**

U.S. PATENT DOCUMENTS

D323,937 S	2/1992	Solomon
D467,429 S	12/2002	Bone et al.
D657,354 S	4/2012	Kim
D676,448 S	2/2013	Gorman et al.
D676,449 S	2/2013	Probst et al.
D685,799 S	7/2013	Canizares et al.
D685,800 S	7/2013	Canizares et al.

(Continued)

OTHER PUBLICATIONS

Canadian Office Action dated Aug. 15, 2019 for Canadian Patent Application No. 183681, a counterpart of U.S. Appl. No. 29/644,528, 1 page.

(Continued)

Primary Examiner — Cynthia R Underwood

(74) *Attorney, Agent, or Firm* — Lee & Hayes, P.C.

(57) **CLAIM**

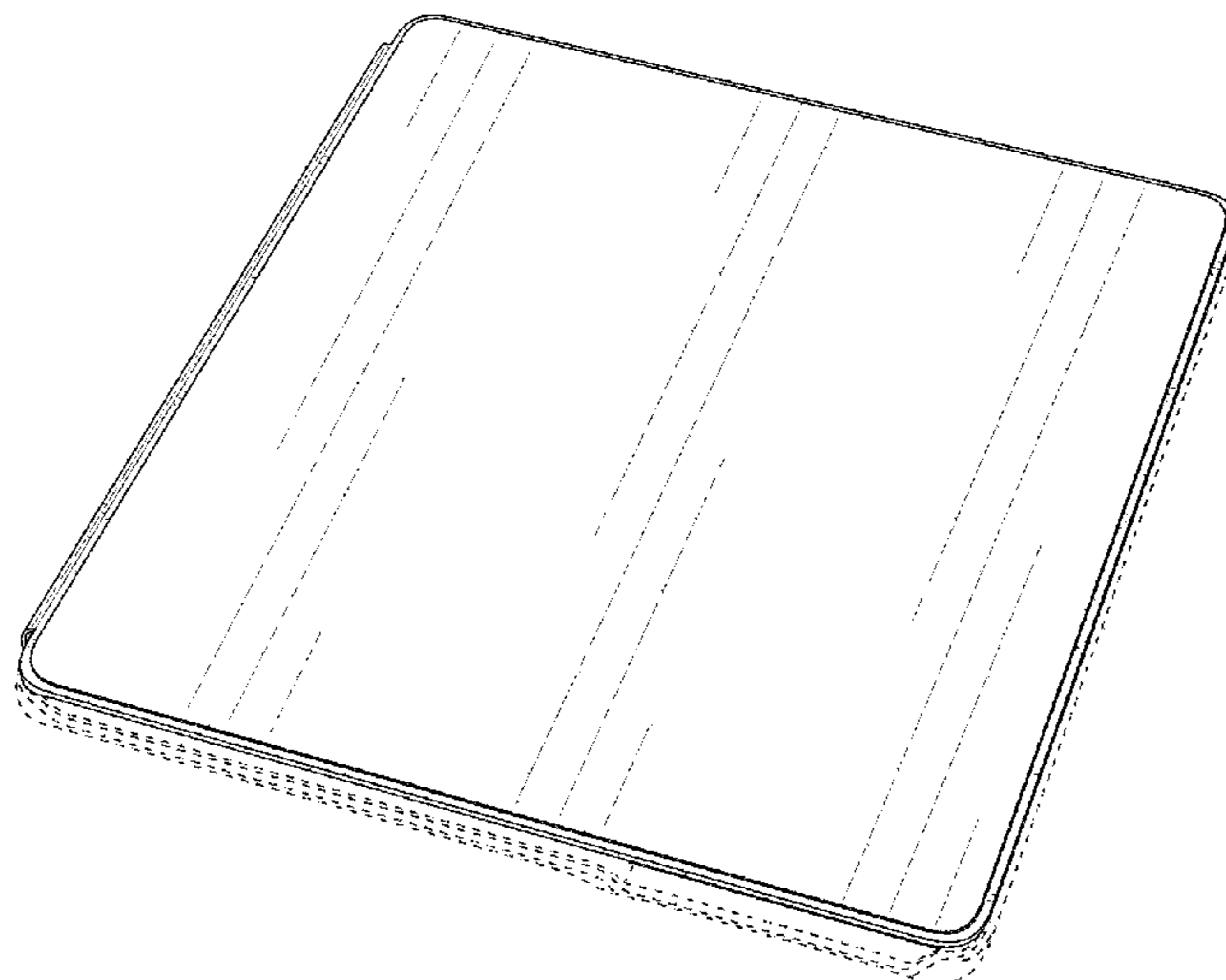
The ornamental design for a device cover, as shown and described.

DESCRIPTION

FIG. 1 is a front perspective view of a device cover shown in a closed state;
FIG. 2 is a back perspective view thereof;
FIG. 3 is a front view thereof;
FIG. 4 is a back view thereof;
FIG. 5 is a left-side view thereof;
FIG. 6 is a right-side view thereof;
FIG. 7 is a top view thereof;
FIG. 8 is a bottom view thereof;
FIG. 9 is a front perspective view of the device cover shown in an opened state;
FIG. 10 is a second back perspective view thereof;
FIG. 11 is a front view thereof;
FIG. 12 is a back view thereof;
FIG. 13 is a left-side view thereof;
FIG. 14 is a right-side view thereof;
FIG. 15 is a top view thereof; and,
FIG. 16 is a bottom view thereof.

The dashed broken lines depict portions of the device cover that form no part of the claimed design. The dot-dashed broken lines represent a boundary of the claimed device cover and form no part of the claimed design.

1 Claim, 16 Drawing Sheets



(56)

References Cited

U.S. PATENT DOCUMENTS

D685,801 S 7/2013 Canizares et al.
 D685,802 S 7/2013 Canizares et al.
 8,542,495 B1 9/2013 Gorman et al.
 D707,229 S 6/2014 Almodova
 D710,857 S * 8/2014 Mecchella D14/440
 D723,038 S * 2/2015 Kim D14/440
 D736,777 S 8/2015 Rayner
 D742,888 S 11/2015 Mecchella et al.
 D742,889 S 11/2015 Mecchella et al.
 D742,890 S 11/2015 Mecchella et al.
 D748,097 S 1/2016 Feng
 D748,636 S 2/2016 Zadvinskis
 D753,123 S 4/2016 Probst et al.
 9,307,131 B1 4/2016 Breen
 D761,798 S 7/2016 Lee et al.
 D765,086 S 8/2016 Lee et al.
 D765,663 S 9/2016 Shih et al.
 D768,638 S 10/2016 Lee et al.
 D774,036 S 12/2016 Kuntz et al.
 D776,122 S * 1/2017 Akana D14/440
 D776,123 S * 1/2017 Akana D14/440
 D781,278 S 3/2017 Kim et al.
 D787,520 S 5/2017 Wall et al.
 D792,412 S 7/2017 Zhang
 D792,887 S 7/2017 Zhang
 D795,880 S * 8/2017 Akana D14/440
 D808,393 S 1/2018 Moore et al.

D810,088 S 2/2018 Moore et al.
 D810,750 S * 2/2018 Chang D14/434
 D811,411 S 2/2018 Moore et al.
 D837,792 S 1/2019 Kim et al.
 D837,793 S 1/2019 Ham et al.
 D851,093 S * 6/2019 Moore D14/440
 D855,057 S * 7/2019 Siedow D14/440
 D859,416 S * 9/2019 Moore D14/440
 D887,415 S * 6/2020 Claudepierre D14/440
 D887,416 S * 6/2020 Wu D14/440
 D889,474 S * 7/2020 Akana D14/440
 2007/0097087 A1 5/2007 Homer et al.
 2008/0194139 A1 8/2008 Chan
 2012/0043235 A1 2/2012 Klement
 2013/0264459 A1 10/2013 McCosh et al.
 2016/0011628 A1 1/2016 Sato

OTHER PUBLICATIONS

Chinese Office Action dated Dec. 26, 2018 for Chinese design application No. 201830579259.5, a counterpart foreign application of design U.S. Appl. No. 29/644,528, 1 page.
 Indian Office Action dated Oct. 18, 2018, for Indian Design Application No. 311183 a counterpart foreign application of the Design U.S. Appl. No. 29/644,528, 2 pages.
 Korean Office Action dated Apr. 1, 2019 for Korean Patent Application No. 30-2018-47131, a counterpart of U.S. Appl. No. 29/644,528, 2 pages.

* cited by examiner

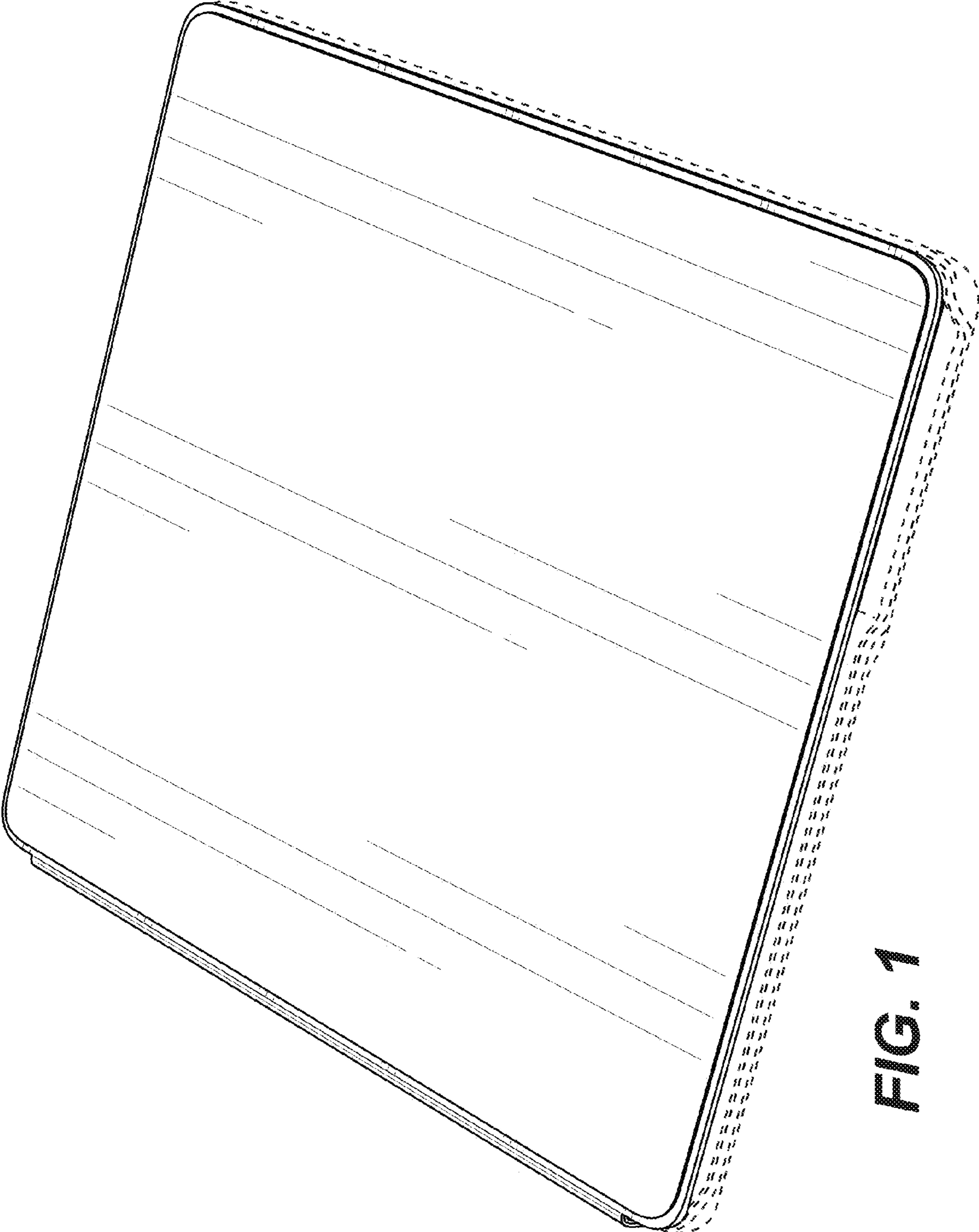


FIG. 1

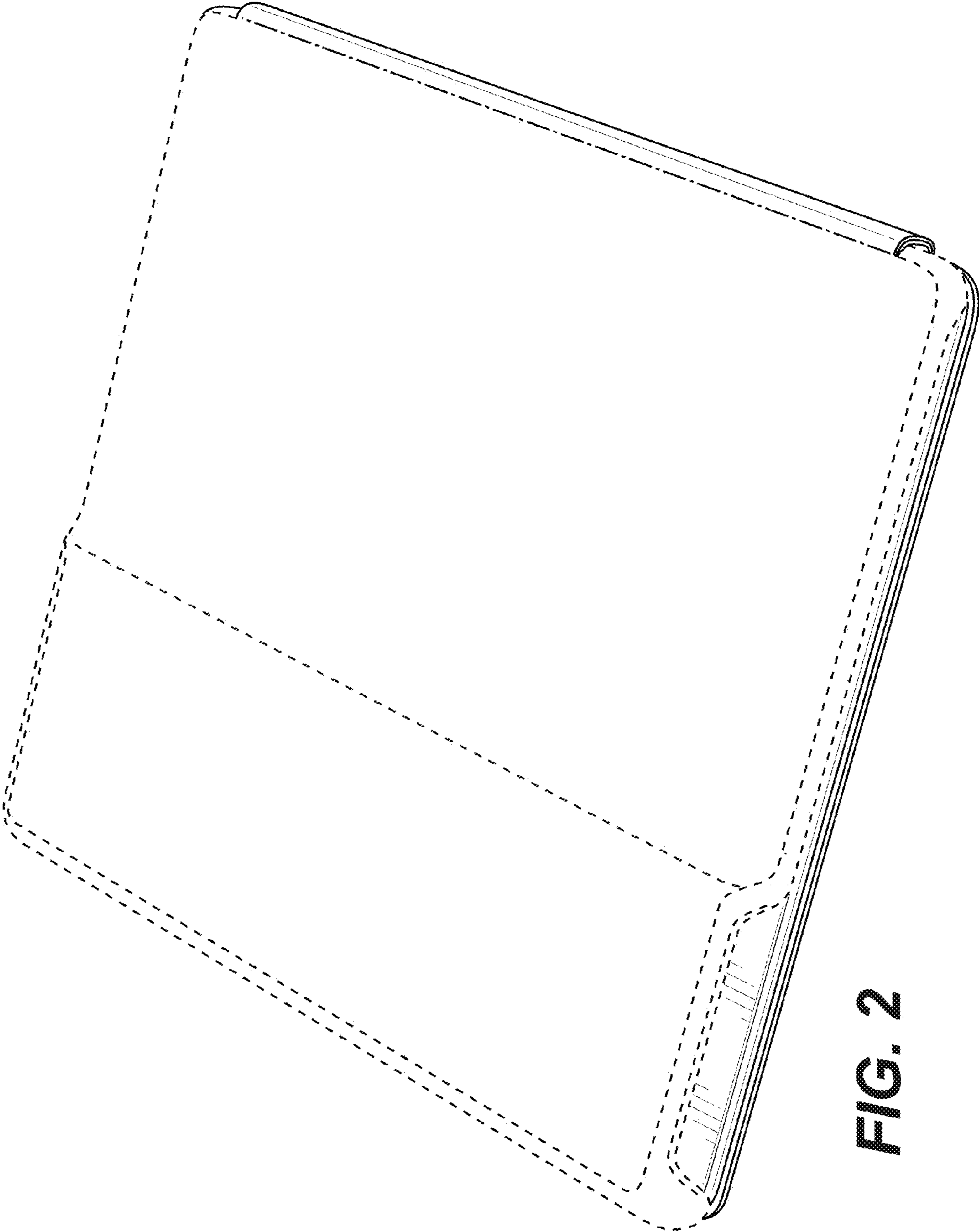
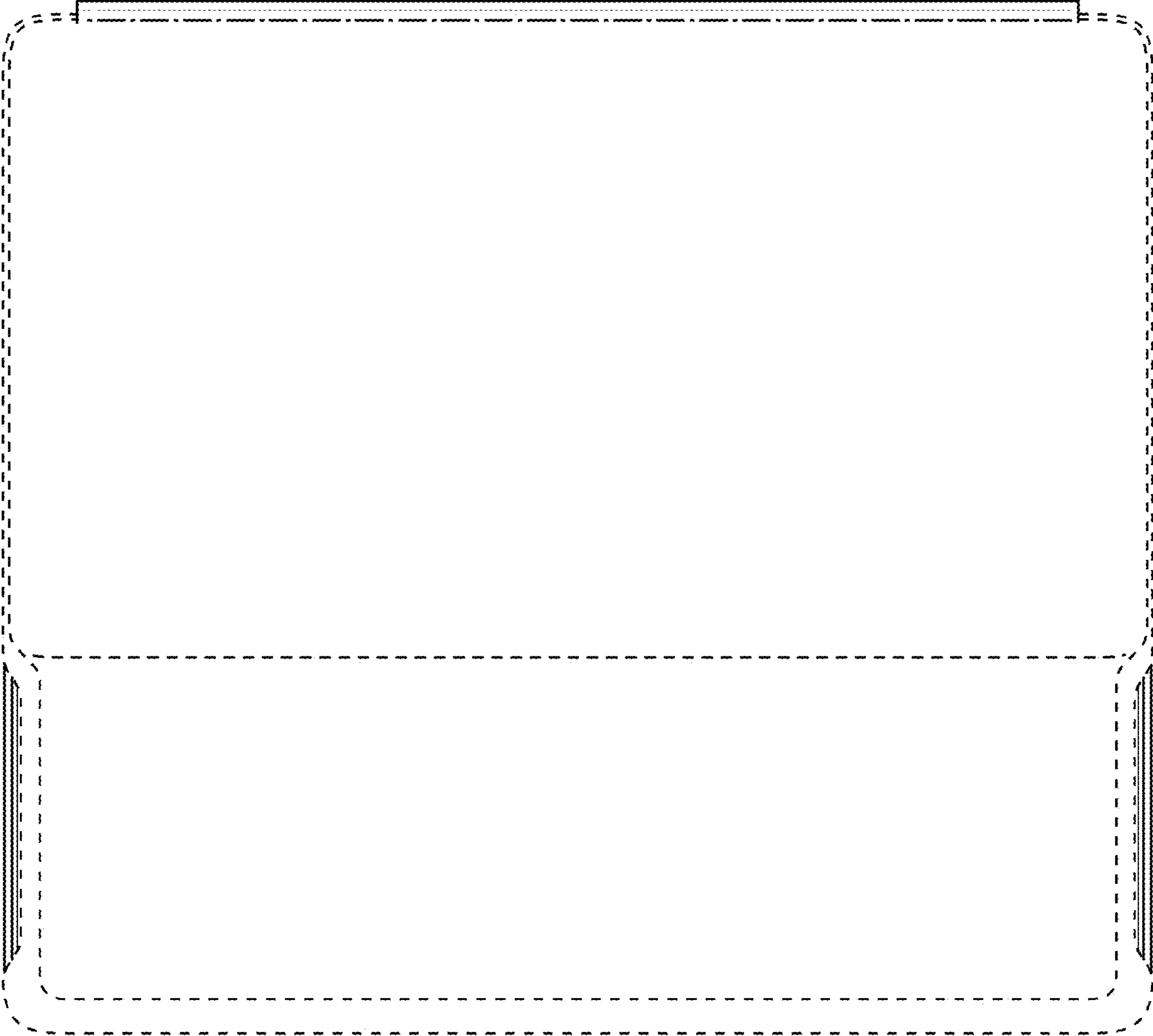


FIG. 2

FIG. 3



FIG. 4



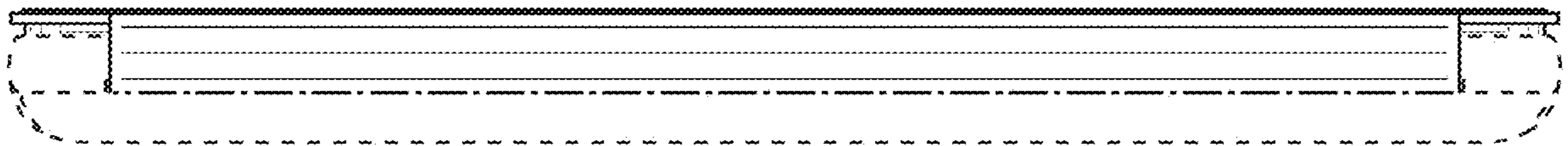


FIG. 5

FIG. 6



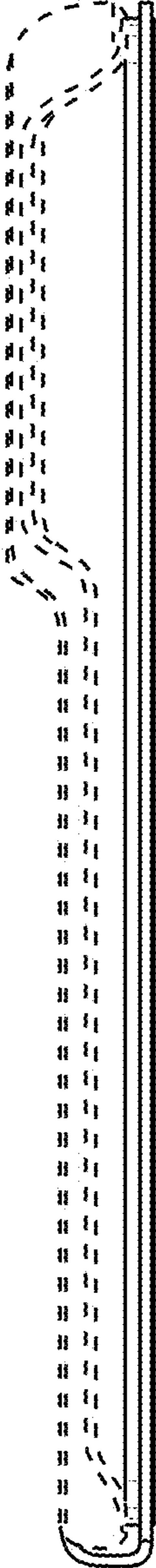


FIG. 7

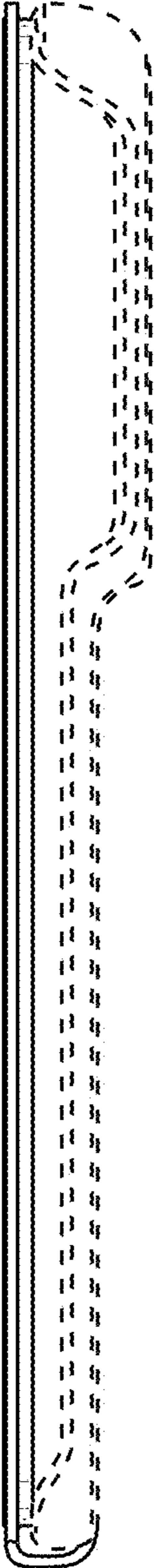


FIG. 8

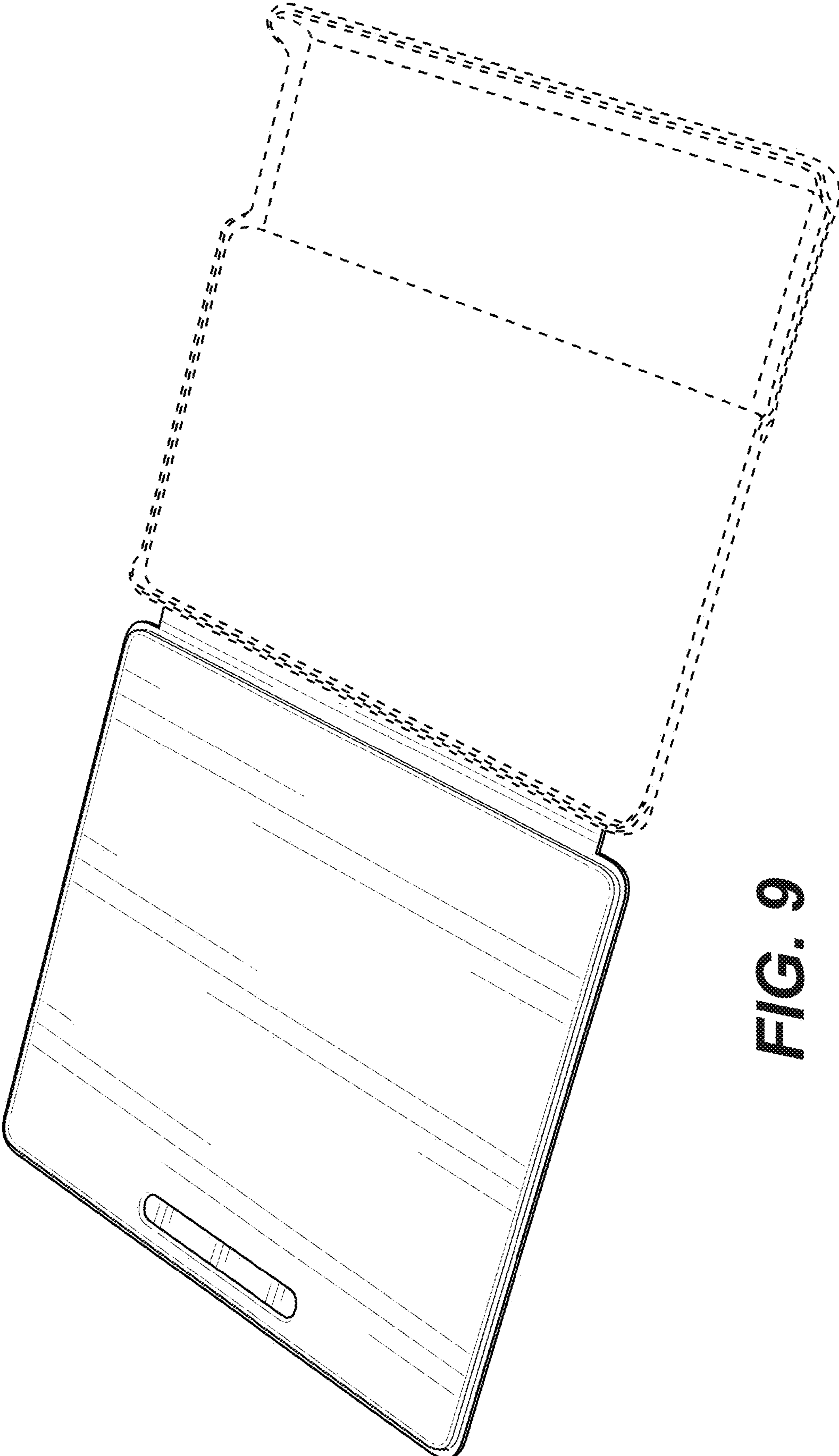


FIG. 9

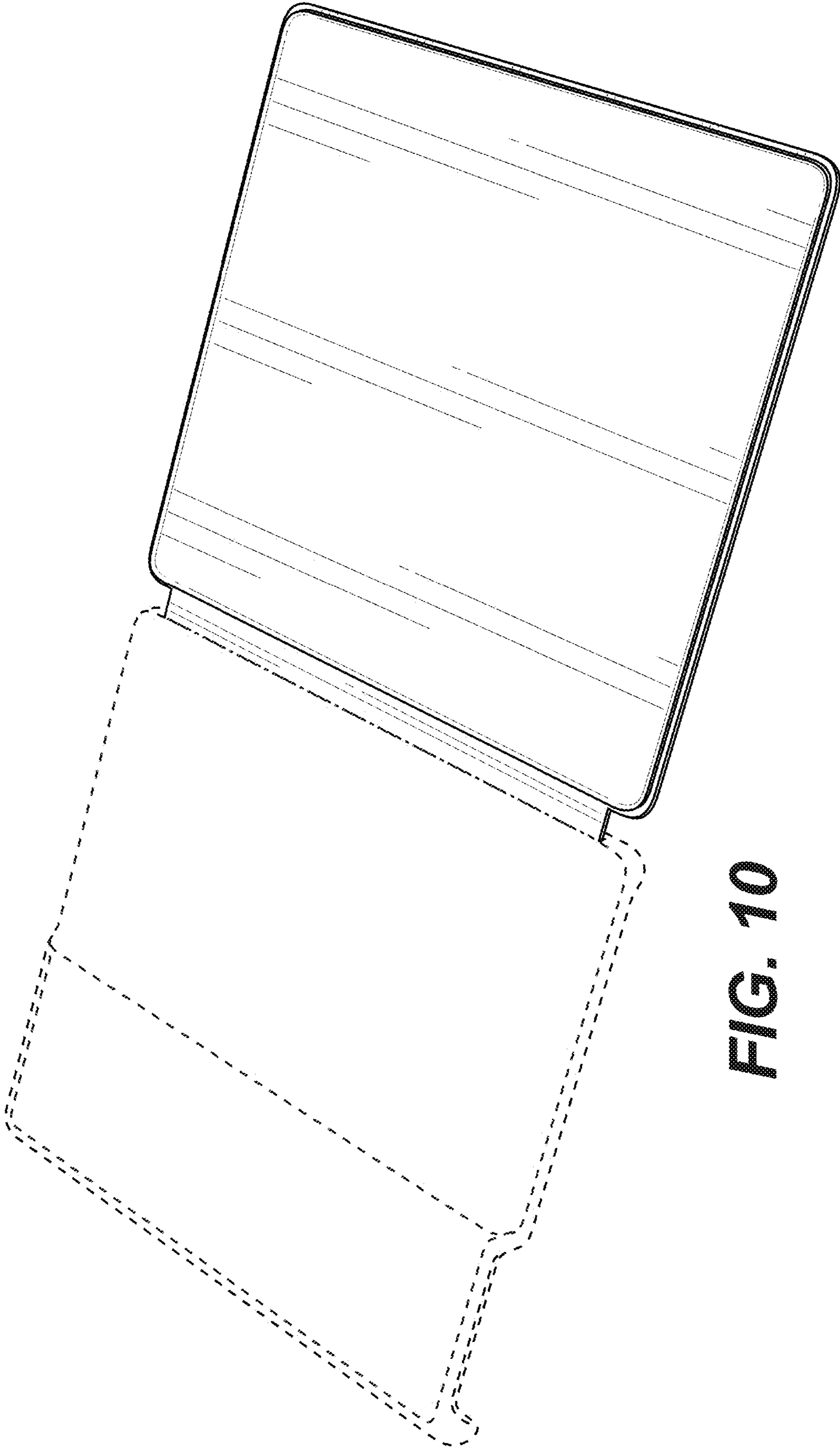


FIG. 10

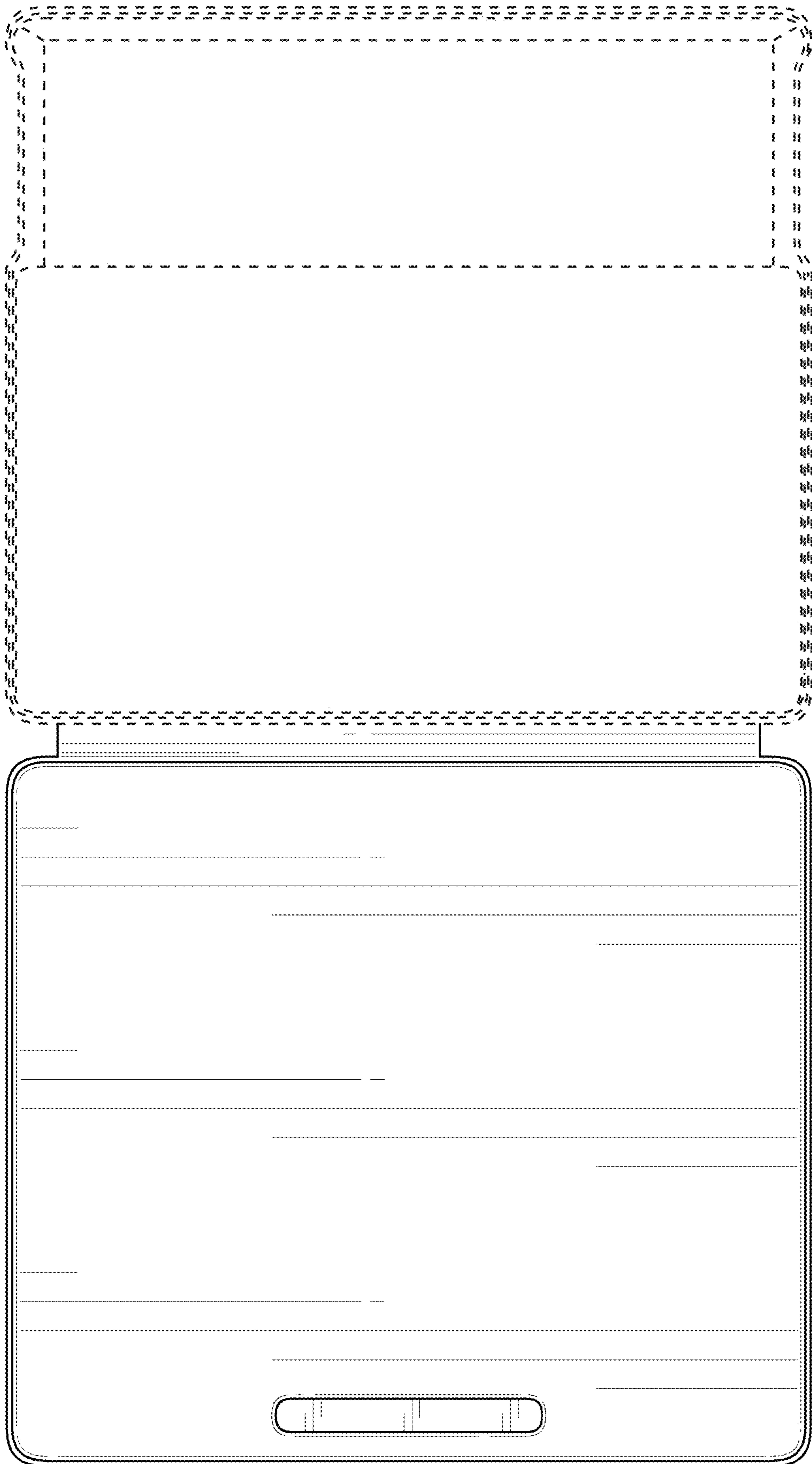


FIG. 11

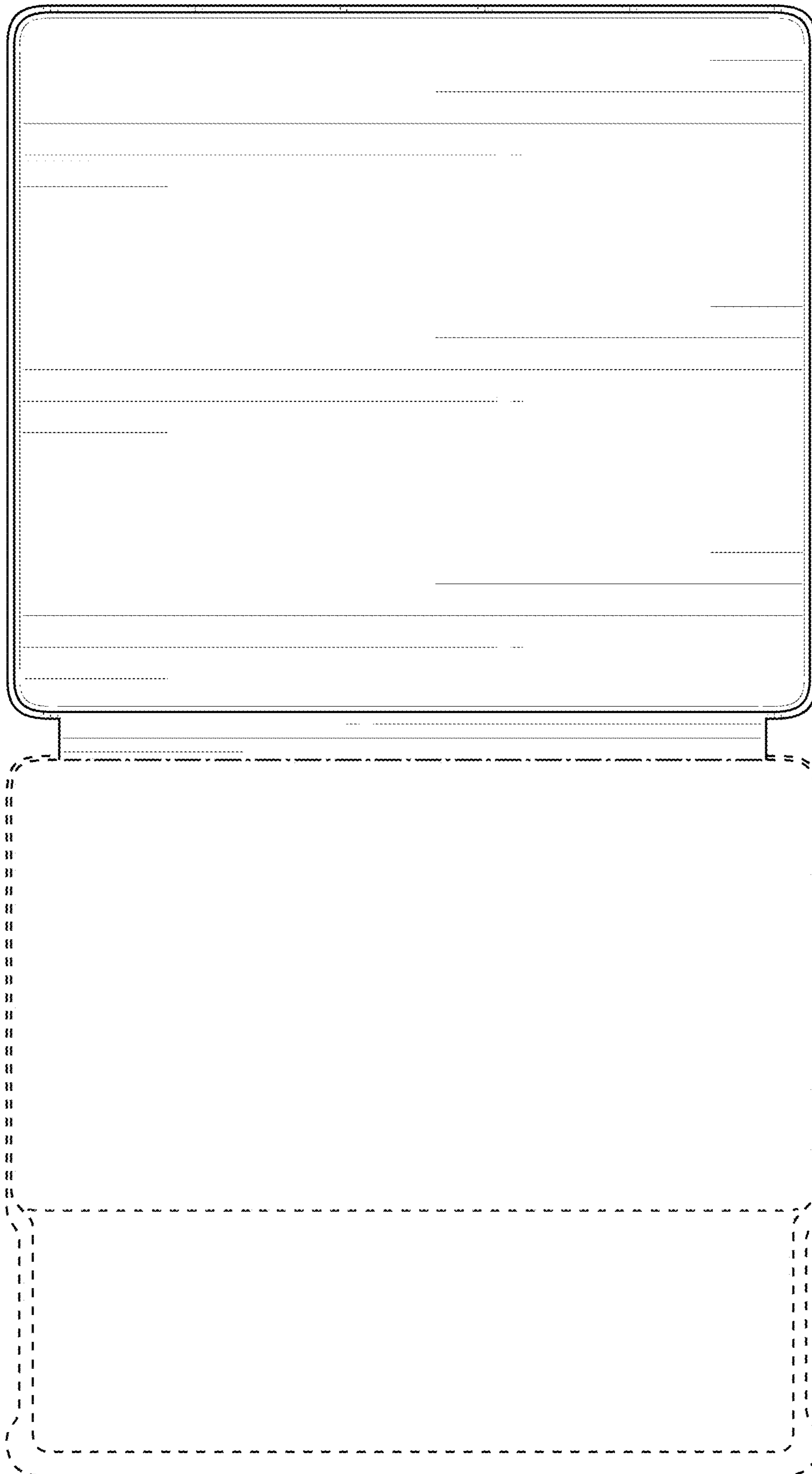


FIG. 12

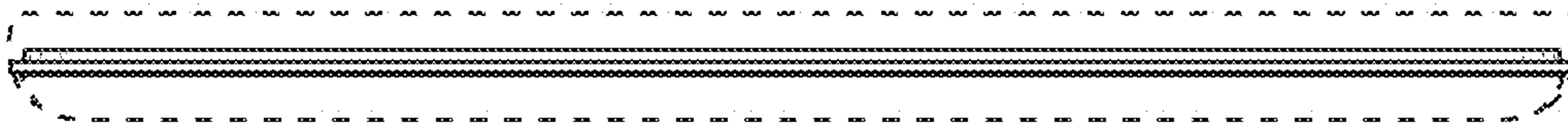


FIG. 13



FIG. 14



FIG. 15



FIG. 16