



US00D903683S

(12) **United States Design Patent** (10) **Patent No.:** **US D903,683 S**  
**Zhang** (45) **Date of Patent:** **\*\* Dec. 1, 2020**

(54) **MULTI-FUNCTION HUB**  
(71) Applicant: **C-SMARTLINK INFORMATION TECHNOLOGY CO., LIMITED,**  
Shenzhen (CN)

D881,192 S \* 4/2020 Ma ..... D14/433  
D881,889 S \* 4/2020 Wang ..... D14/433  
D886,825 S \* 6/2020 Zhang ..... D14/433  
D889,470 S \* 7/2020 Zhang ..... D14/433  
D894,190 S \* 8/2020 Zhang ..... D14/433  
D894,828 S \* 9/2020 Chen ..... D13/108

(72) Inventor: **Wenfeng Zhang,** Shenzhen (CN)  
(73) Assignee: **C-SMARTLINK INFORMATION TECHNOLOGY CO., LIMITED,**  
Shenzhen (CN)

**FOREIGN PATENT DOCUMENTS**

CN 305697964 \* 4/2020  
CN 305878385 \* 6/2020  
EM 007207725-0002 \* 11/2019

\* cited by examiner

(\*\*) Term: **15 Years**

*Primary Examiner* — Angela J Lee  
*Assistant Examiner* — Rebekah A Caruso

(21) Appl. No.: **29/704,146**

(22) Filed: **Sep. 3, 2019**

(51) **LOC (12) Cl.** ..... **14-99**

(57) **CLAIM**

(52) **U.S. Cl.**  
USPC ..... **D14/433**

The ornamental design for a multi-function hub, as shown and described.

(58) **Field of Classification Search**  
USPC ..... D14/433, 434, 435.1, 480.1–480.7, 436,  
D14/484.1, 155, 203.1–203.8, 240, 242,  
D14/133, 154; D13/107, 108  
CPC .... G06F 13/122; G06F 13/382; G06F 13/385;  
G06F 13/4022; G06F 13/4282; G06F  
1/1632; G06F 1/1684; H01R 25/006;  
H05K 5/0278; G06K 19/07732  
See application file for complete search history.

**DESCRIPTION**

(56) **References Cited**

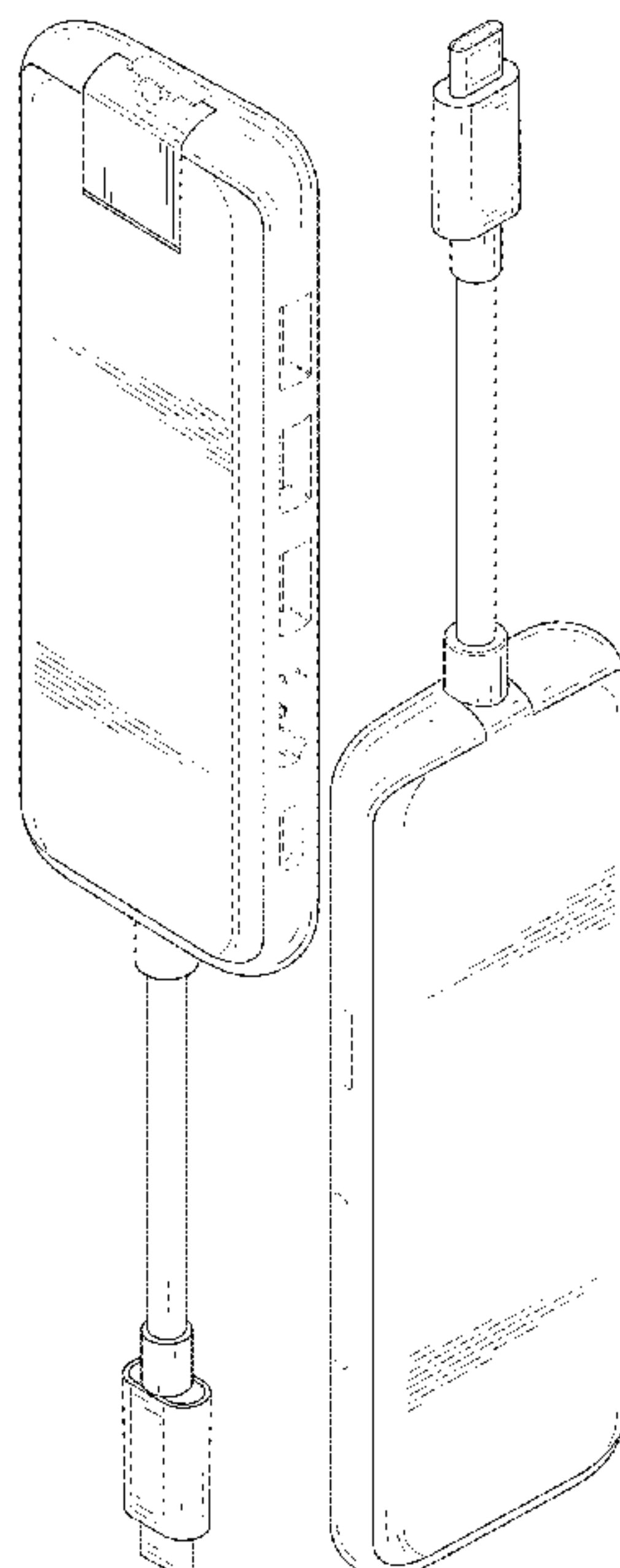
**U.S. PATENT DOCUMENTS**

D682,197 S \* 5/2013 Leung ..... D13/103  
D798,811 S \* 10/2017 Liao ..... D13/110  
D828,839 S \* 9/2018 Zhang ..... D14/433  
D828,840 S \* 9/2018 Zhang ..... D14/433  
D828,841 S \* 9/2018 Zhang ..... D14/433  
D853,322 S \* 7/2019 Xu ..... D13/108  
D880,481 S \* 4/2020 Liao ..... D14/433

FIG. 1 is a perspective view of a multi-function hub showing my new design;  
FIG. 2 is another perspective view thereof;  
FIG. 3 is a front elevational view thereof;  
FIG. 4 is a rear elevational view thereof;  
FIG. 5 is a left side elevational view thereof;  
FIG. 6 is a right side elevational view thereof;  
FIG. 7 is a top plan view thereof;  
FIG. 8 is a bottom plan view thereof; and,  
FIG. 9 is a perspective view of the multi-function hub in a second state.

The broken lines in the drawings are for the purpose of illustrating portions of the multi-function hub that form no part of the claimed design.

**1 Claim, 9 Drawing Sheets**



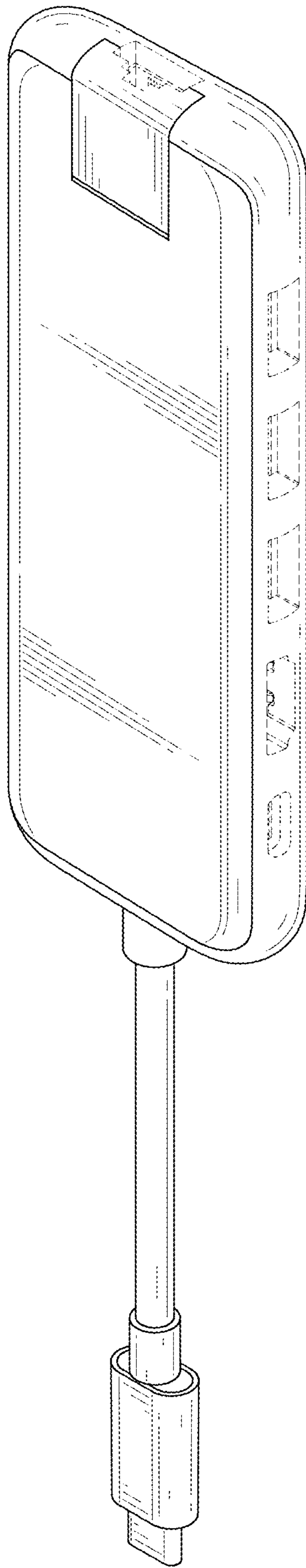


FIG. 1

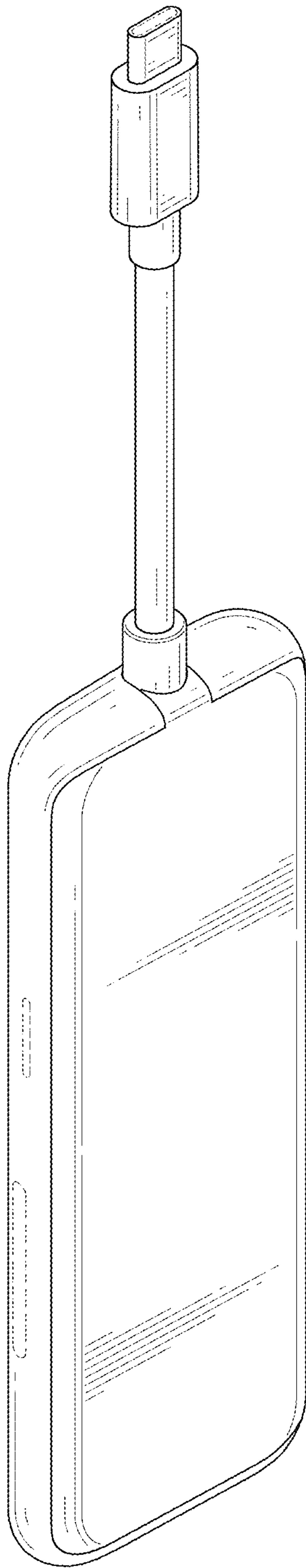


FIG. 2

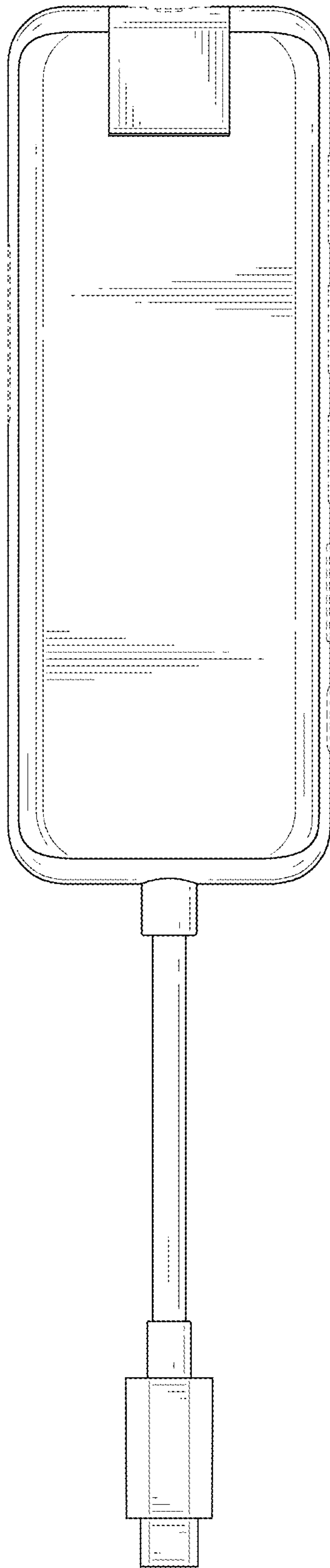


FIG. 3

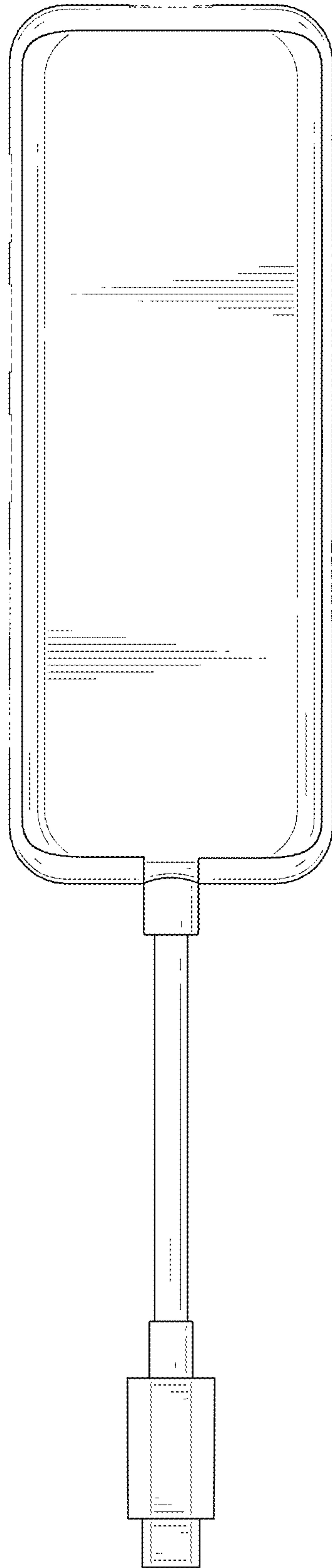


FIG. 4

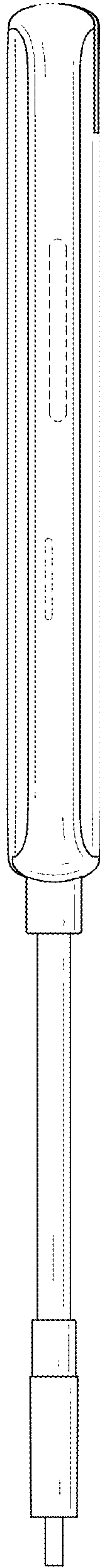


FIG. 5

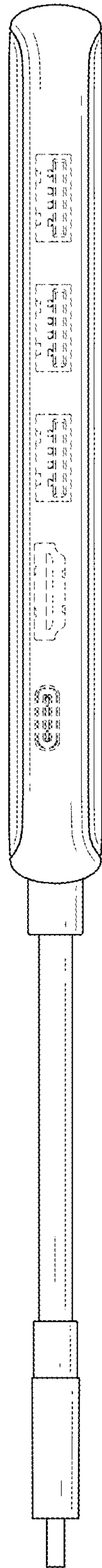


FIG. 6

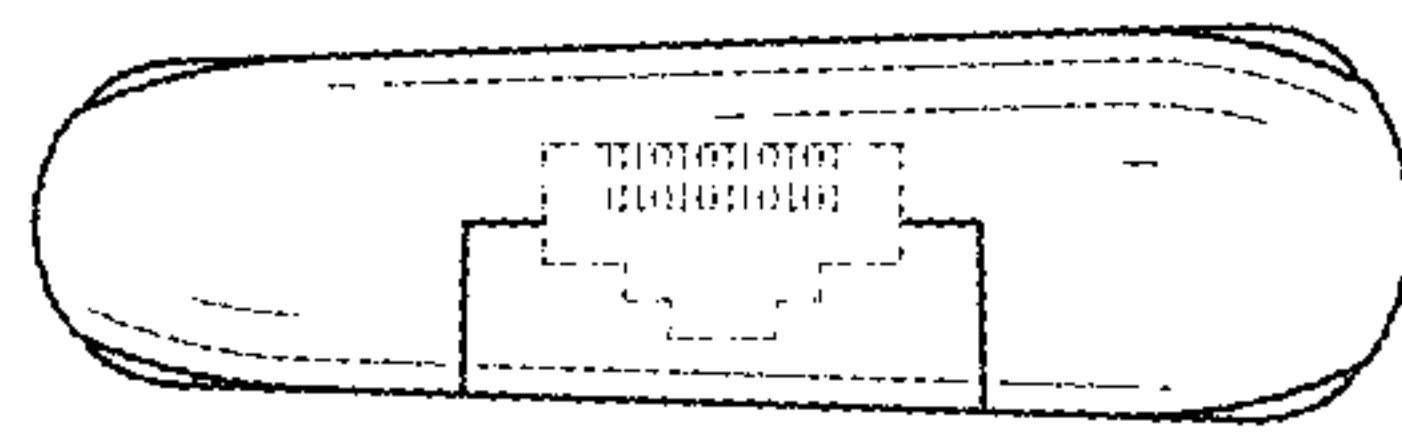


FIG. 7



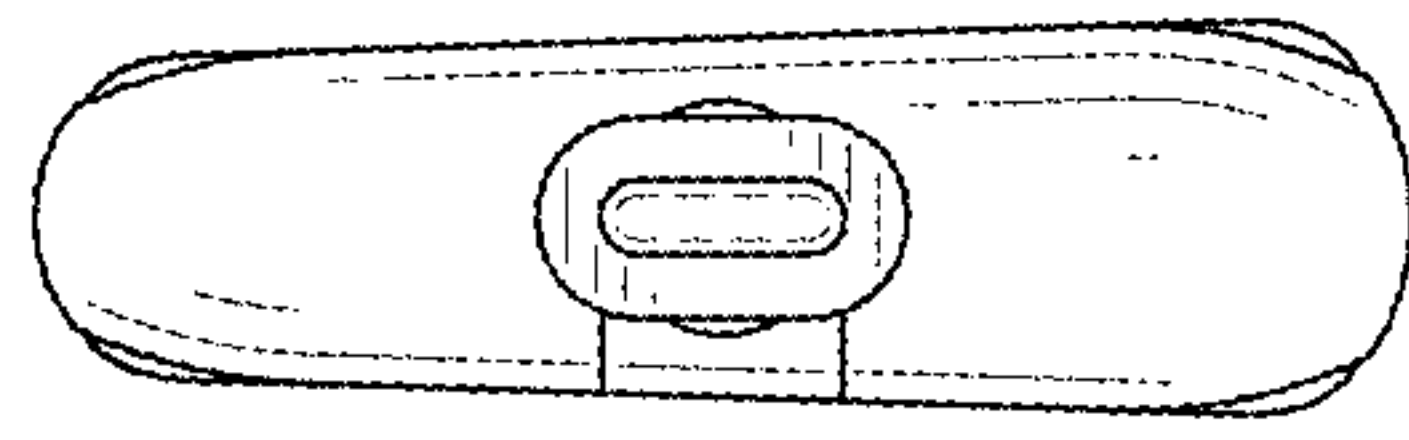


FIG. 8

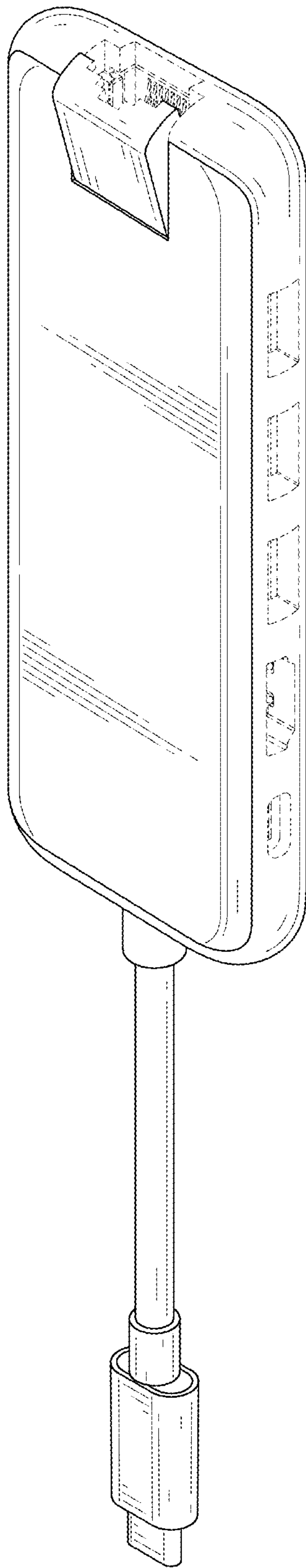


FIG. 9