



US00D903682S

(12) **United States Design Patent** (10) **Patent No.:** **US D903,682 S**  
**Zhang et al.** (45) **Date of Patent:** **\*\* Dec. 1, 2020**

(54) **USB ADAPTER**

G06F 3/023; G06F 3/038; G06F 3/0626;  
G06F 3/0658; G06F 9/4413

(71) Applicant: **Ugreen Group Limited**, Shenzhen (CN)

See application file for complete search history.

(72) Inventors: **Qingsen Zhang**, Shenzhen (CN);  
**Junling Chen**, Shenzhen (CN); **Long Luo**, Shenzhen (CN)

(56) **References Cited**

U.S. PATENT DOCUMENTS

(\*\*) Term: **15 Years**

(21) Appl. No.: **29/654,746**

D659,087	S	*	5/2012	Nomi	.....	D13/102
D696,195	S	*	12/2013	Wen	.....	D13/110
D762,170	S	*	7/2016	Lei	.....	D13/108
D788,112	S	*	5/2017	Liao	.....	D14/433
D798,811	S	*	10/2017	Liao	.....	D13/110
D800,730	S	*	10/2017	Liao	.....	D14/433
2003/0148656	A1	*	8/2003	Huang	.....	H01R 25/003 439/501
2010/0151723	A1	*	6/2010	Su	.....	H01R 31/06 439/505

(22) Filed: **Jun. 27, 2018**

(30) **Foreign Application Priority Data**

Feb. 1, 2018 (CN) ..... 2018 3 0049199

\* cited by examiner

(51) **LOC (12) Cl.** ..... **14-02**

*Primary Examiner* — Derrick E Holland

(52) **U.S. Cl.**

(74) *Attorney, Agent, or Firm* — ZANIP

USPC ..... **D14/433**; D13/108

(58) **Field of Classification Search**

(57) **CLAIM**

USPC ... D13/110, 103, 107, 108, 118, 123, 137.1,  
D13/137.4, 138.1, 147, 162, 168, 169,  
D13/174, 177, 184, 199; D14/240, 242,  
D14/257, 356, 357, 432, 433, 438, 480.1,  
D14/480.3; 174/16.3, 17 R, 17.08;  
361/600, 601, 690, 694, 695, 679.01,  
361/679.61, 704, 730; 363/141, 142

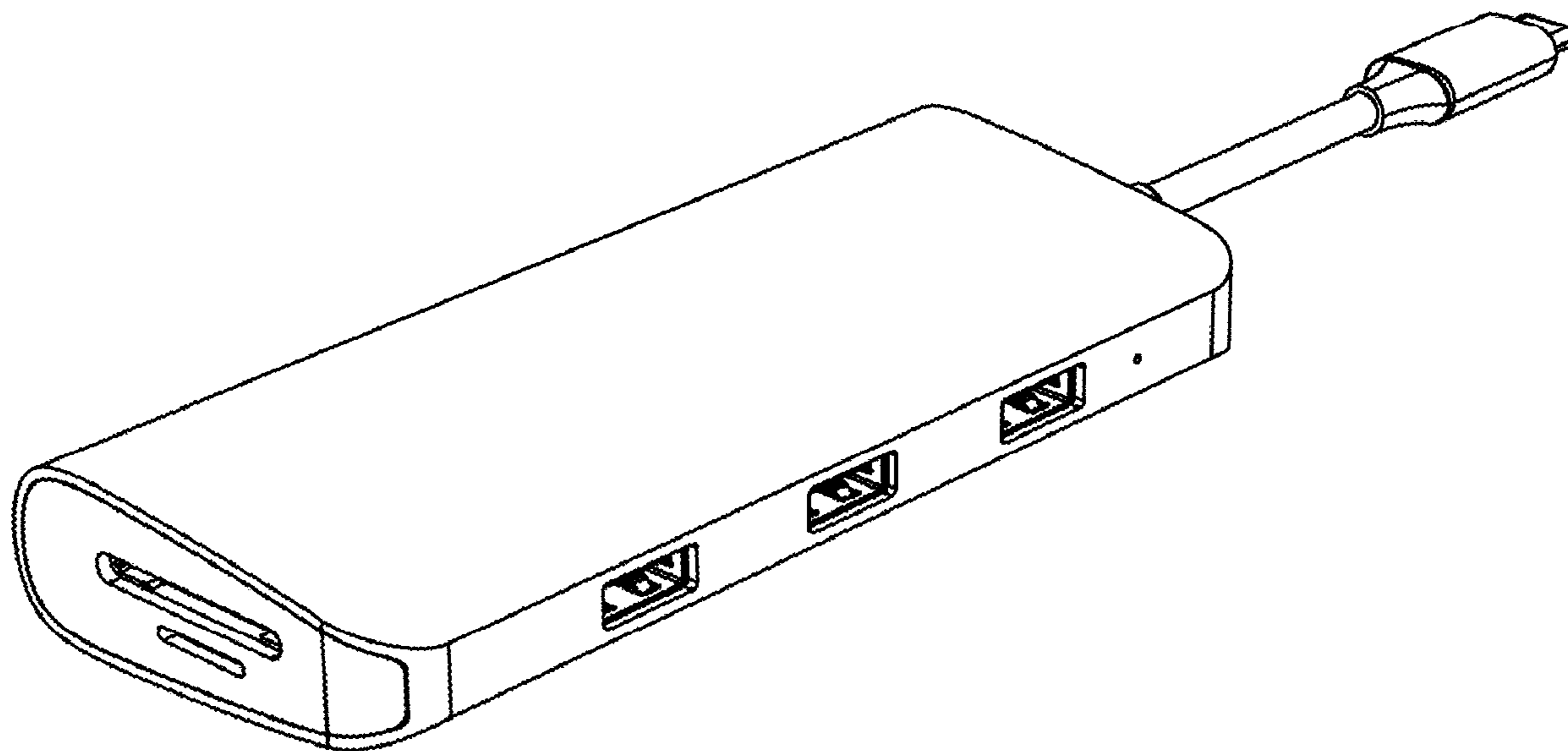
The ornamental design for a USB adapter, as shown and described.

CPC ..... H05K 5/00; H05K 5/02; H05K 5/0247;  
H05K 7/00; H05K 7/20; H05K 7/20136;  
H05K 7/20154; H05K 7/209; H02M 7/00;  
H02M 7/003; H02M 2001/009; H02J  
7/0042; Y10T 307/367; Y02E 60/12;  
Y02E 60/50; H01M 2/02; H01M 2/025;  
H01M 2/0207; H01M 2/0212; H01M  
10/44; H01R 13/60; H01R 13/72; H01R  
13/6658; H01R 25/003; H01R 25/006;

**DESCRIPTION**

FIG. 1 is a Perspective view of a USB adapter showing my new design;  
FIG. 2 is a Front elevational view thereof;  
FIG. 3 is a Rear elevational view thereof;  
FIG. 4 is a Left side view thereof;  
FIG. 5 is a Right side view thereof;  
FIG. 6 is a Top plan view thereof; and,  
FIG. 7 is a Bottom plan view thereof.

**1 Claim, 7 Drawing Sheets**



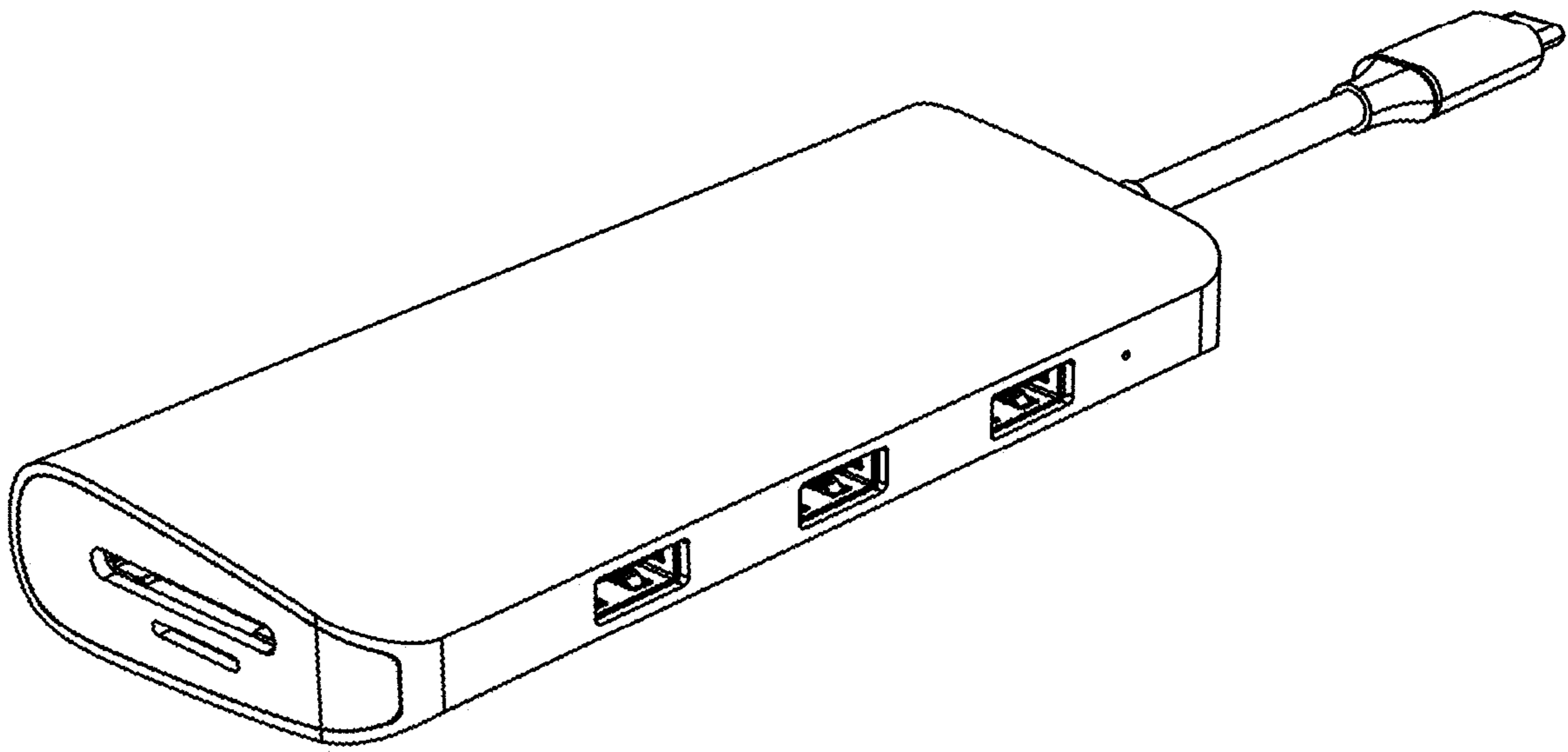


FIG. 1

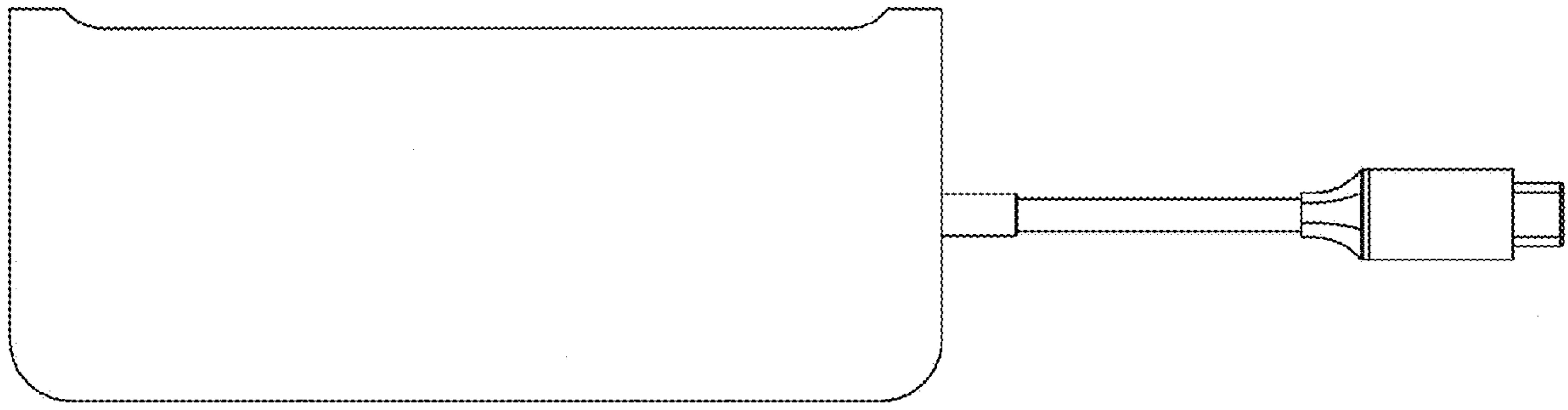


FIG. 2

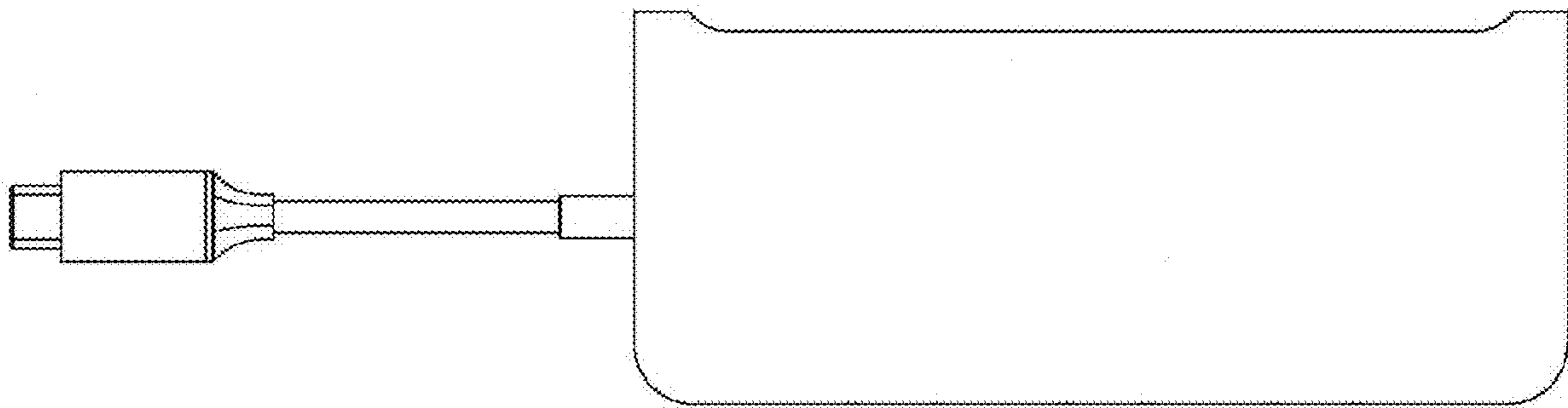


FIG. 3

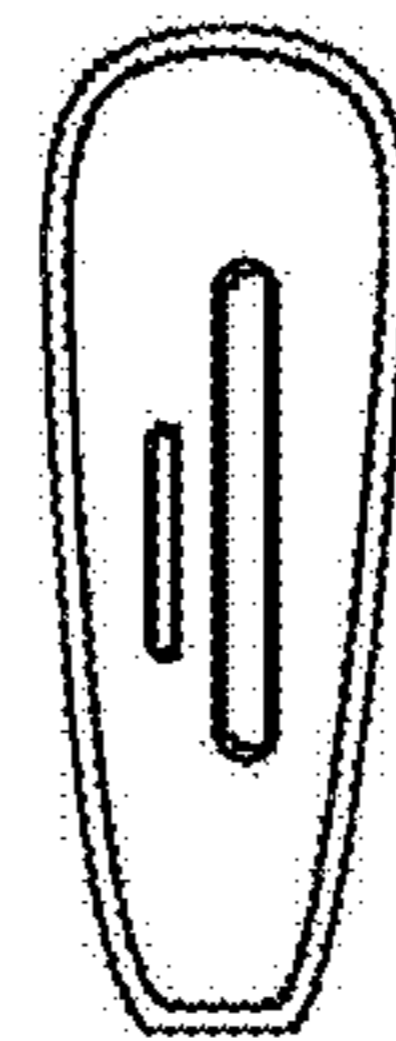


FIG. 4

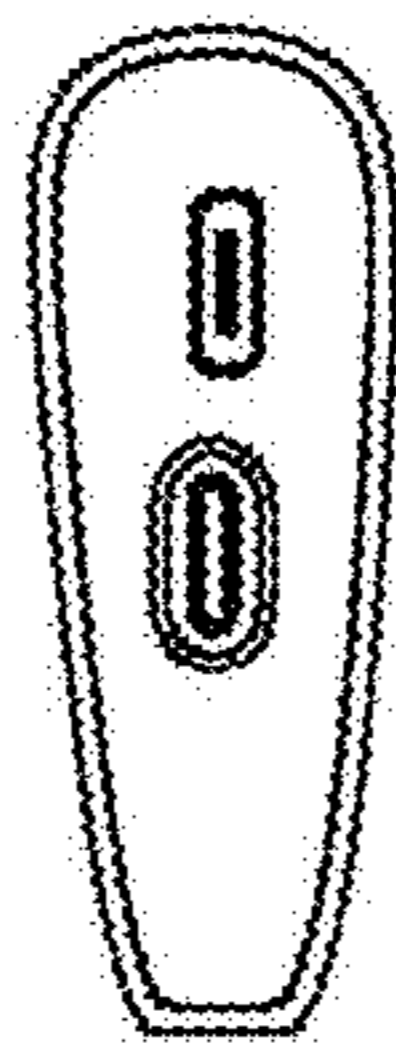


FIG. 5

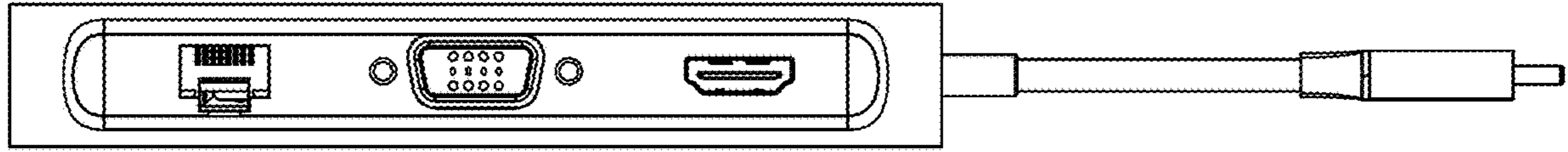


FIG.6

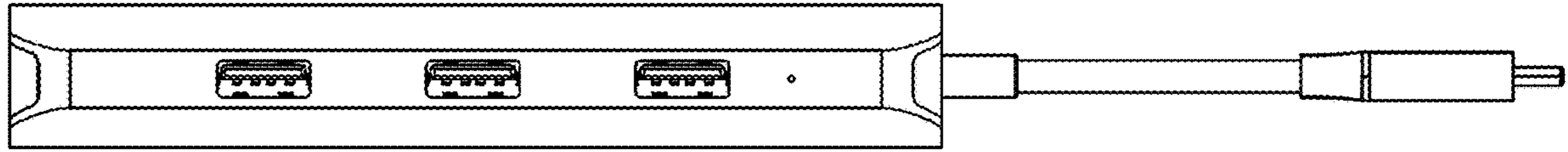


FIG. 7