



US00D903680S

(12) **United States Design Patent**
Xu

(10) **Patent No.:** **US D903,680 S**

(45) **Date of Patent:** **** Dec. 1, 2020**

(54) **MOUSE**

(71) Applicant: **SHENZHEN LEADER-UNION TECHNOLOGY CO., LTD**, Shenzhen (CN)

(72) Inventor: **Caiyun Xu**, Shenzhen (CN)

(73) Assignee: **SHENZHEN LEADER-UNION TECHNOLOGY CO., LTD**, Shenzhen (CN)

(**) Term: **15 Years**

(21) Appl. No.: **29/702,313**

(22) Filed: **Aug. 19, 2019**

(51) **LOC (12) Cl.** **04-02**

(52) **U.S. Cl.**
USPC **D14/410**

(58) **Field of Classification Search**
USPC D14/402-411, 356, 388, 389, 383-385, D14/417, 426; 345/156-167; 463/36-38; 358/471, 473; 273/148 B
CPC G06F 3/03543; G06F 2203/0333; G06F 3/039; G06F 3/038; G06F 2203/0384
See application file for complete search history.

(56) **References Cited**

U.S. PATENT DOCUMENTS

D372,468 S * 8/1996 Hsieh D14/410
D381,969 S * 8/1997 Ratzlaff D14/410

D711,380 S * 8/2014 Urban D14/410
D771,046 S * 11/2016 Jost D14/410
D820,262 S * 6/2018 Shayani D14/410
D842,301 S * 3/2019 Chou D14/410
D844,000 S * 3/2019 Lee D14/410
D845,300 S * 4/2019 Chong D14/410
D845,948 S * 4/2019 Jin D14/410
D852,193 S * 6/2019 Chou D14/410
D868,065 S * 11/2019 Xu D14/409
D897,340 S * 9/2020 Xu D14/408

* cited by examiner

Primary Examiner — Austin Murphy

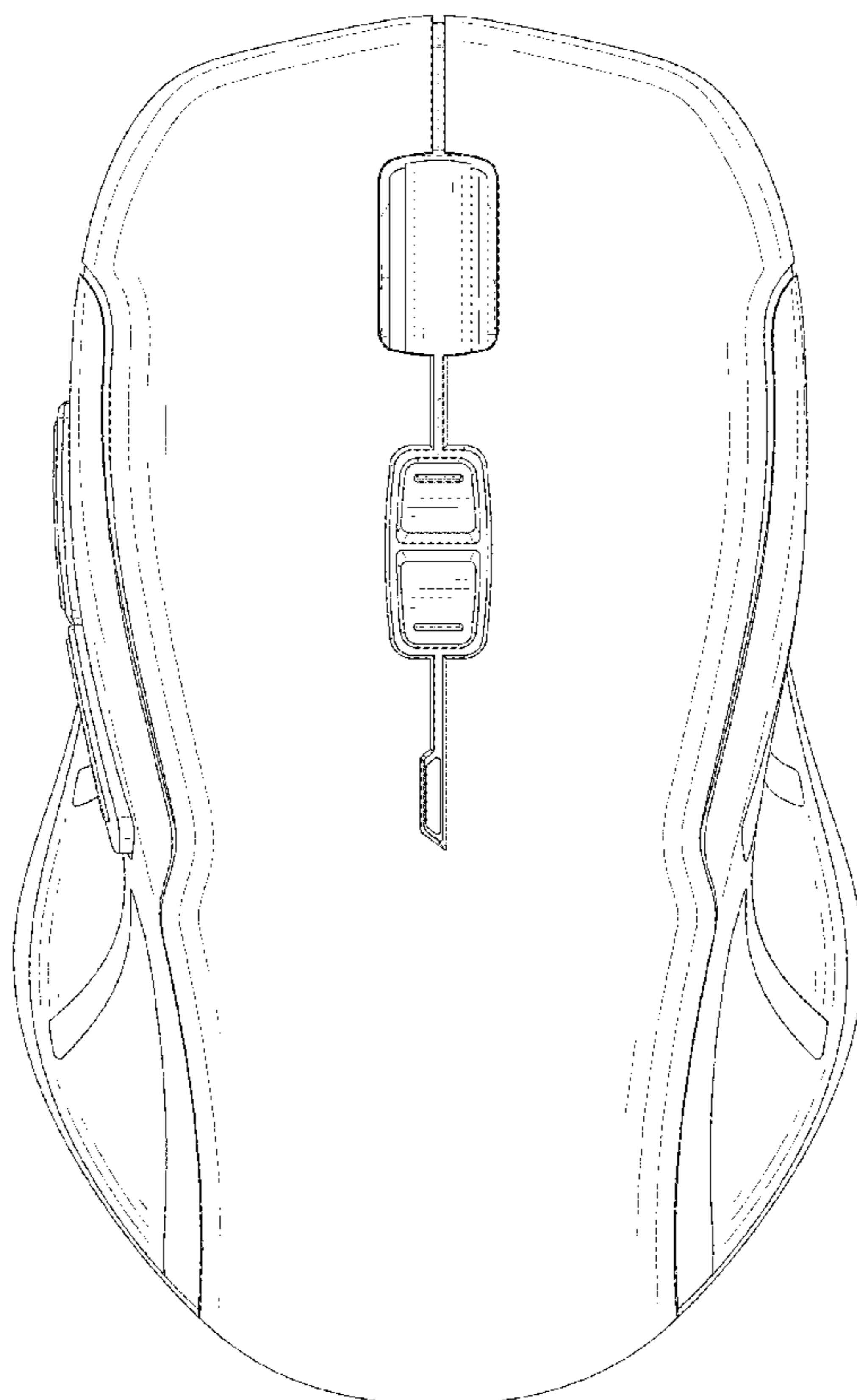
(57) **CLAIM**

The ornamental design for a mouse, as shown and described.

DESCRIPTION

FIG. 1 is a perspective view of a mouse showing my new design;
FIG. 2 is another perspective view thereof;
FIG. 3 is a front elevational view thereof;
FIG. 4 is a rear elevational view thereof;
FIG. 5 is a left side elevational view thereof;
FIG. 6 is a right side elevational view thereof;
FIG. 7 is a top plan view thereof; and,
FIG. 8 is a bottom plan view thereof.
The broken lines in the drawings depict portions of the mouse that form no part of the claimed design.

1 Claim, 8 Drawing Sheets



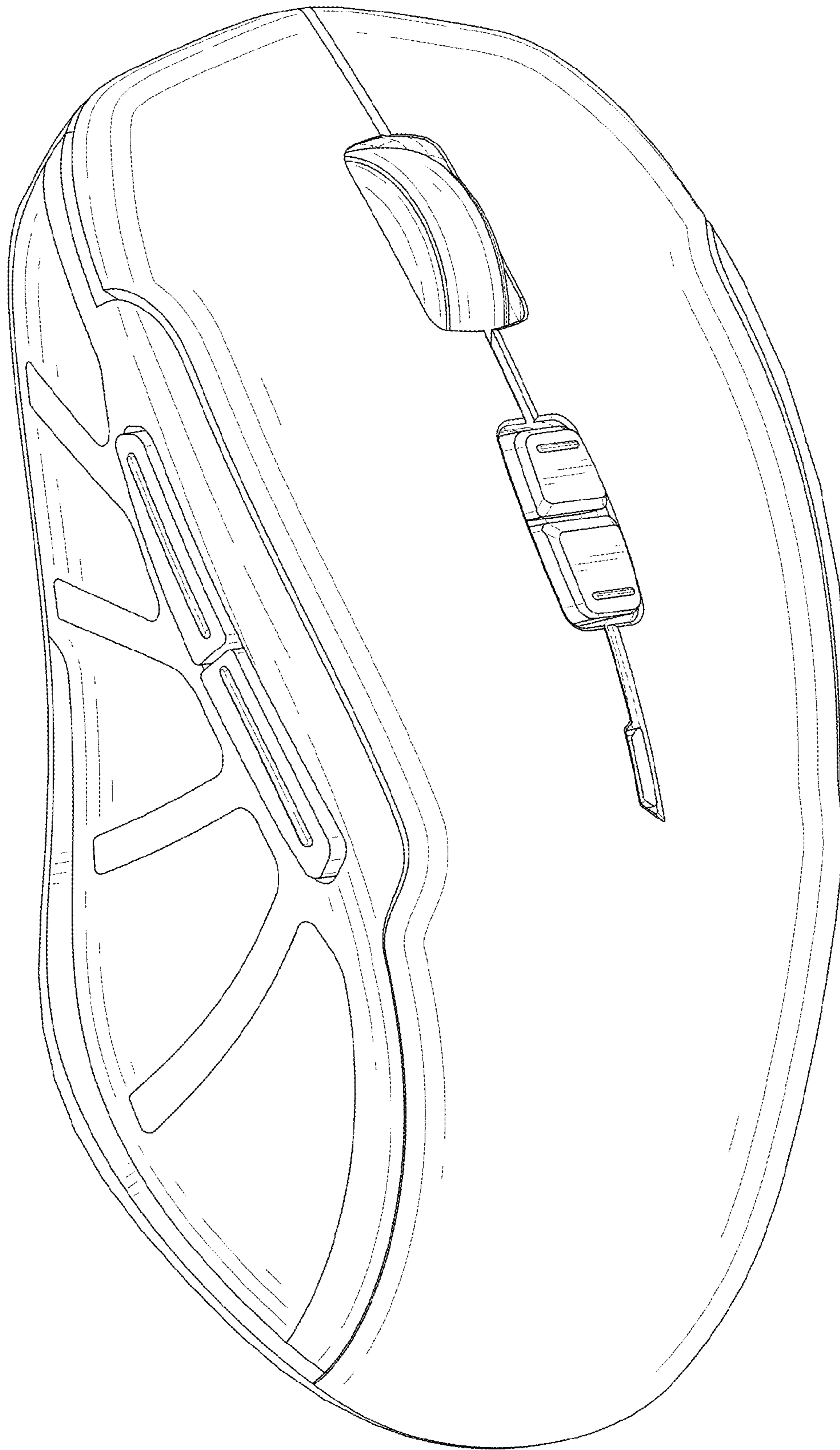


FIG. 1

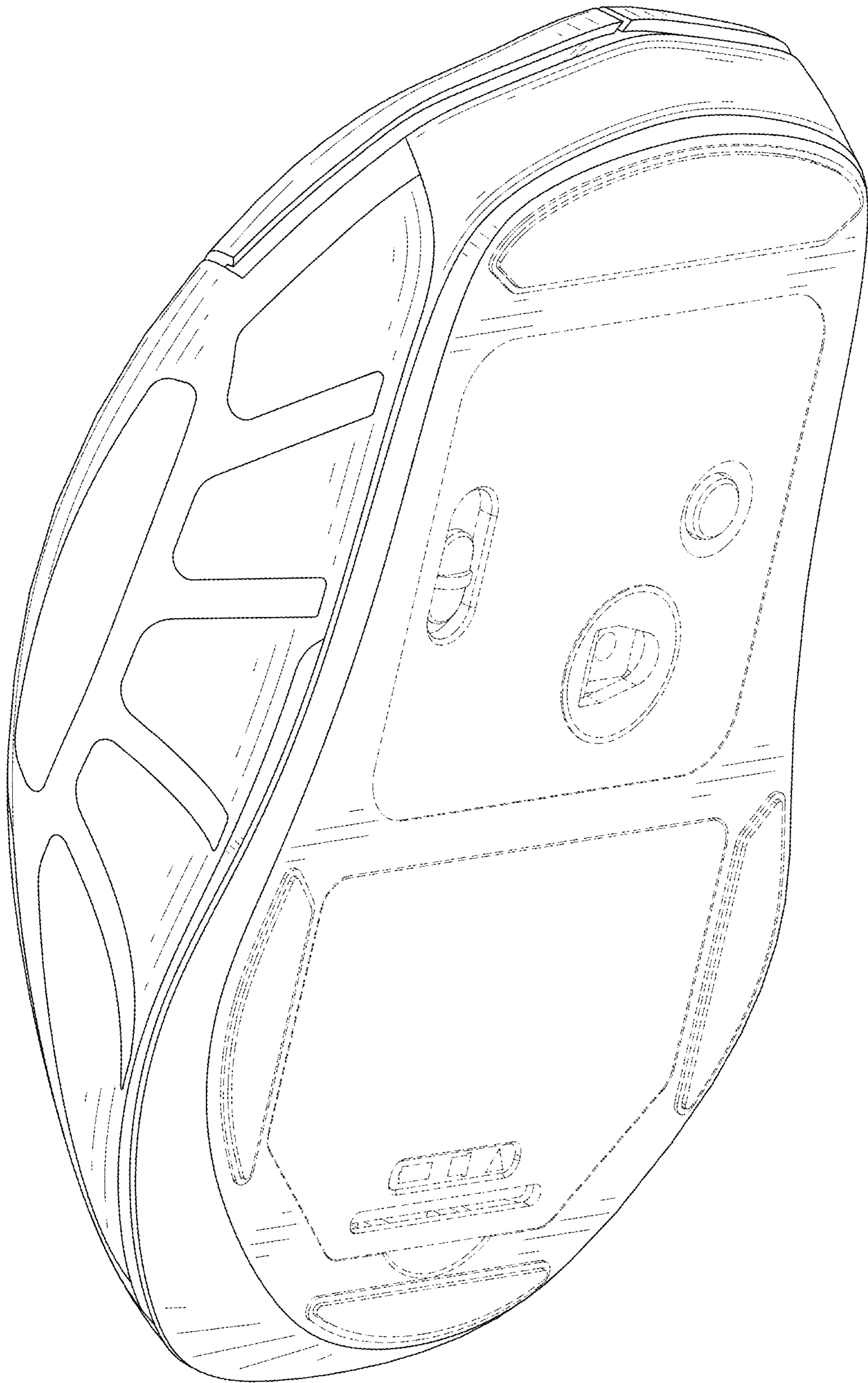


FIG. 2

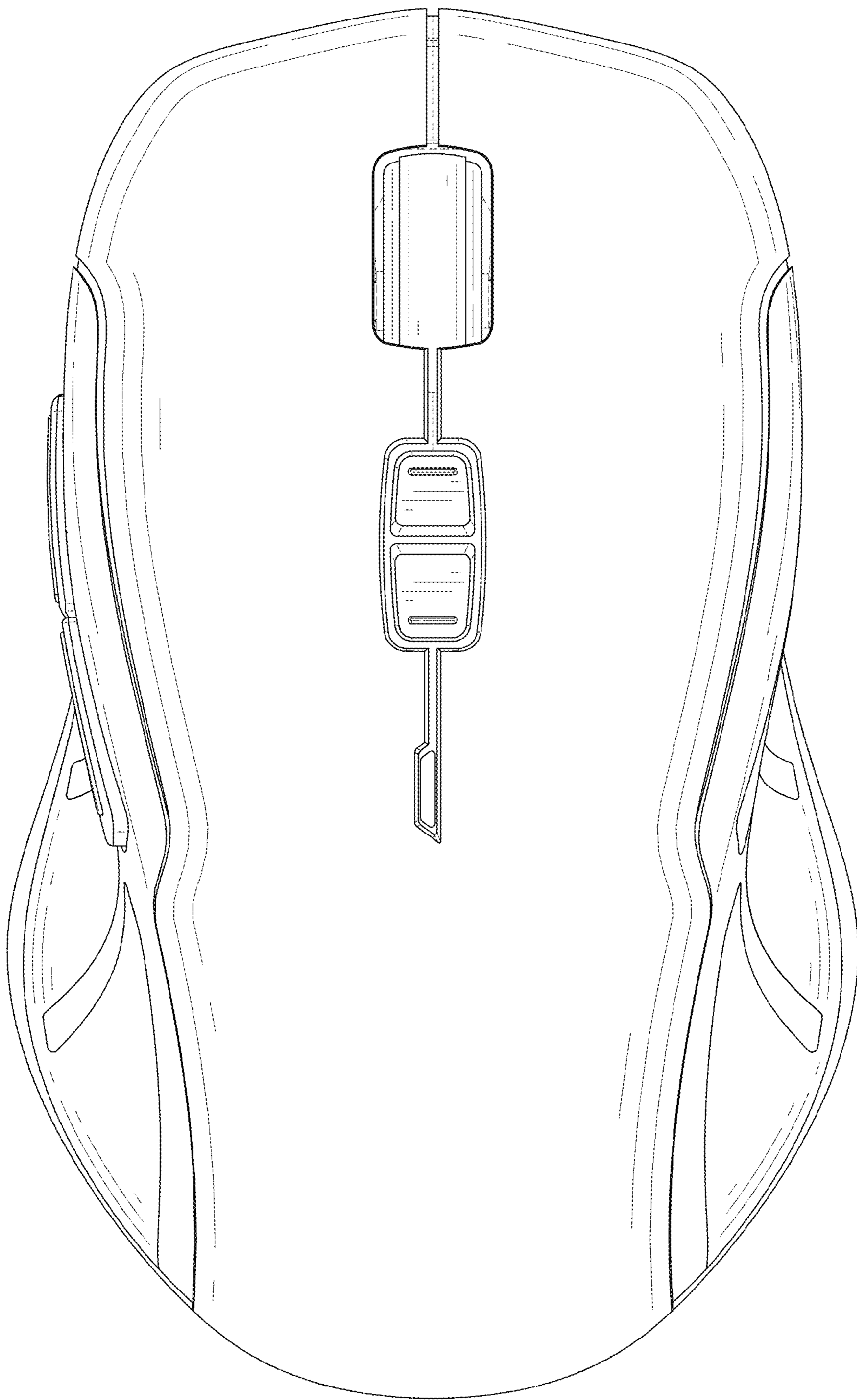


FIG. 3

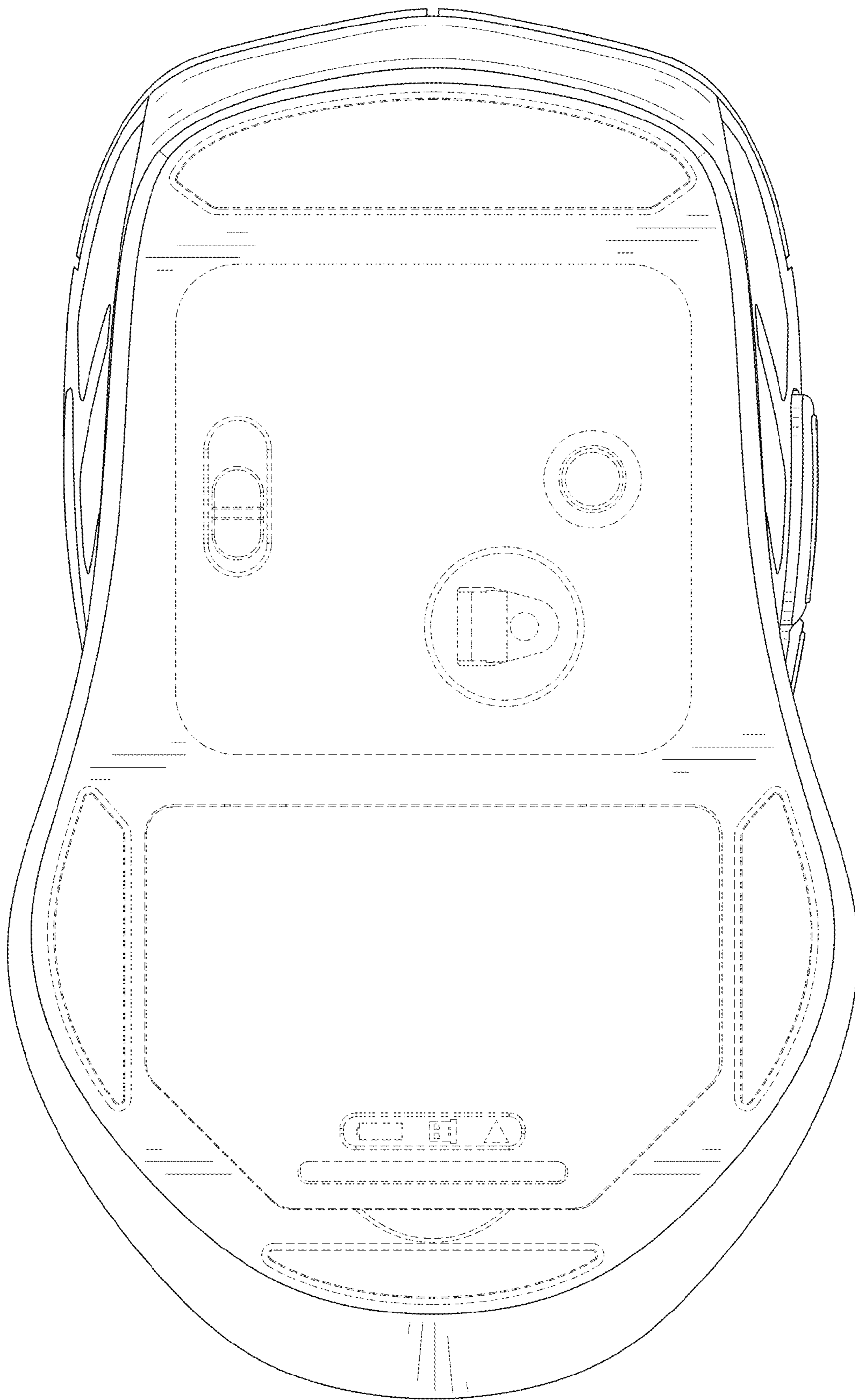


FIG. 4

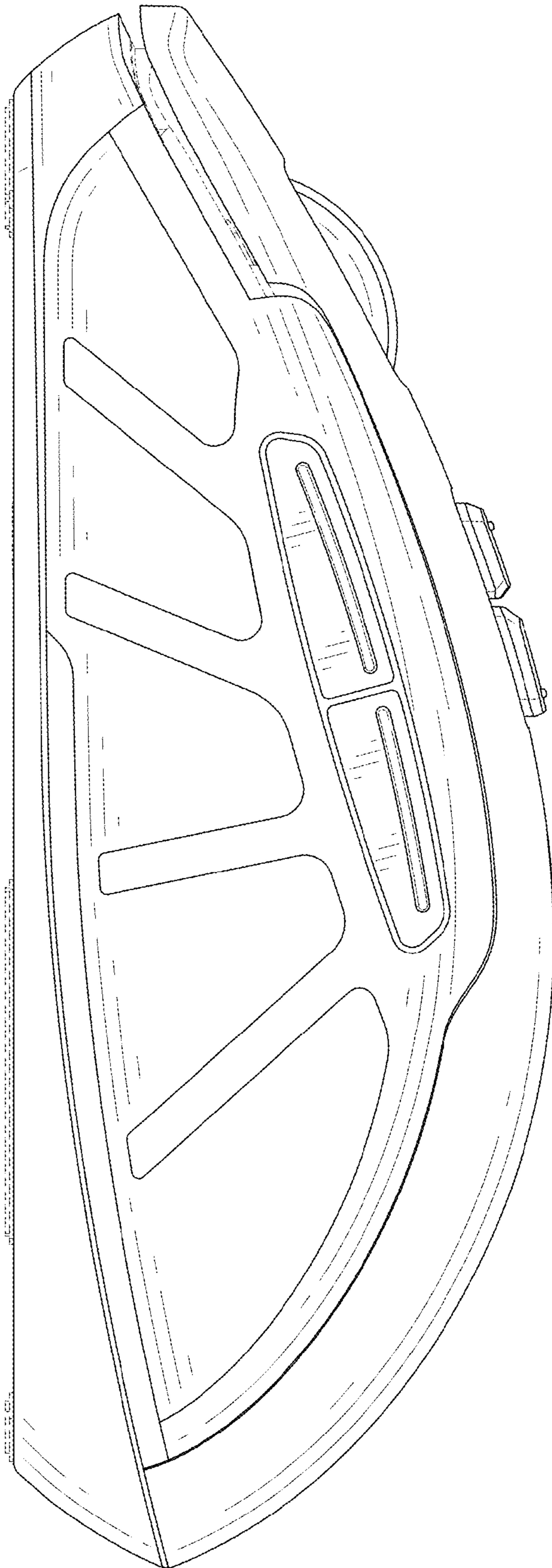


FIG. 5

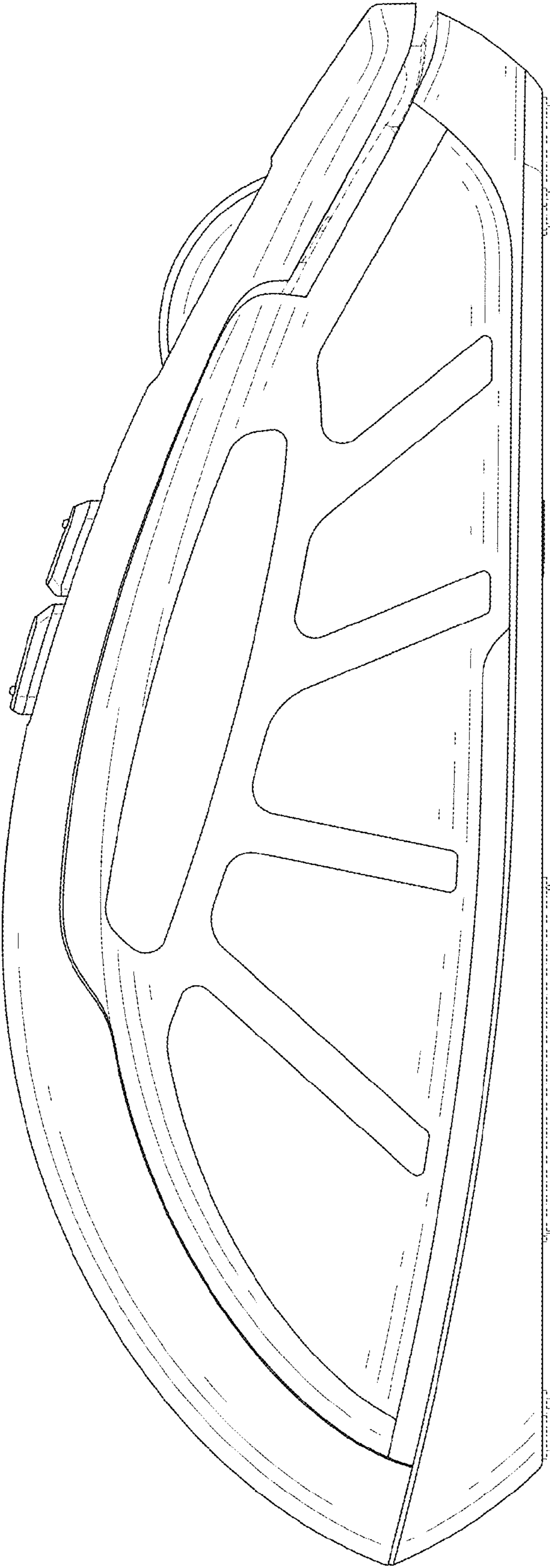


FIG. 6

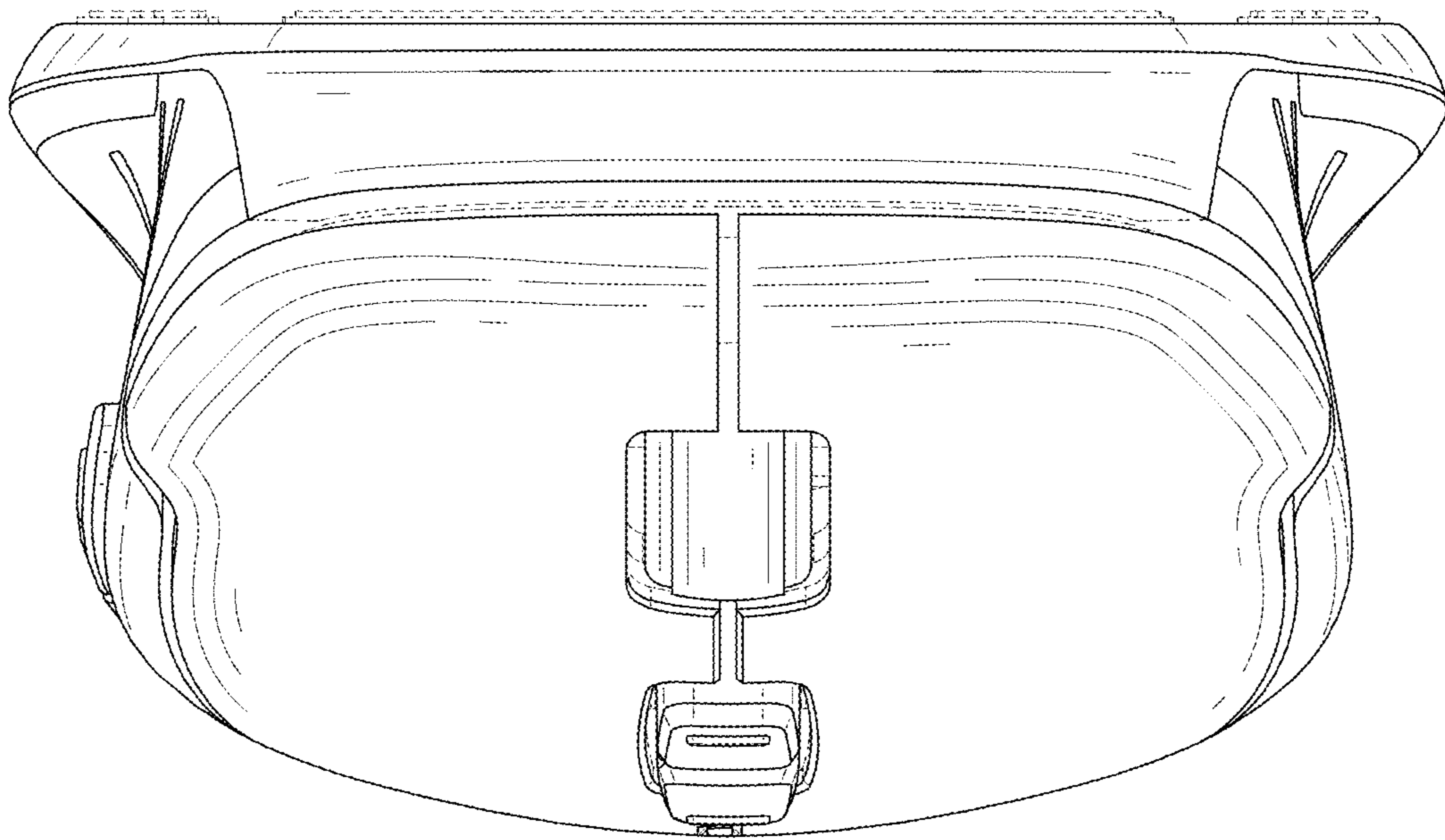


FIG. 7

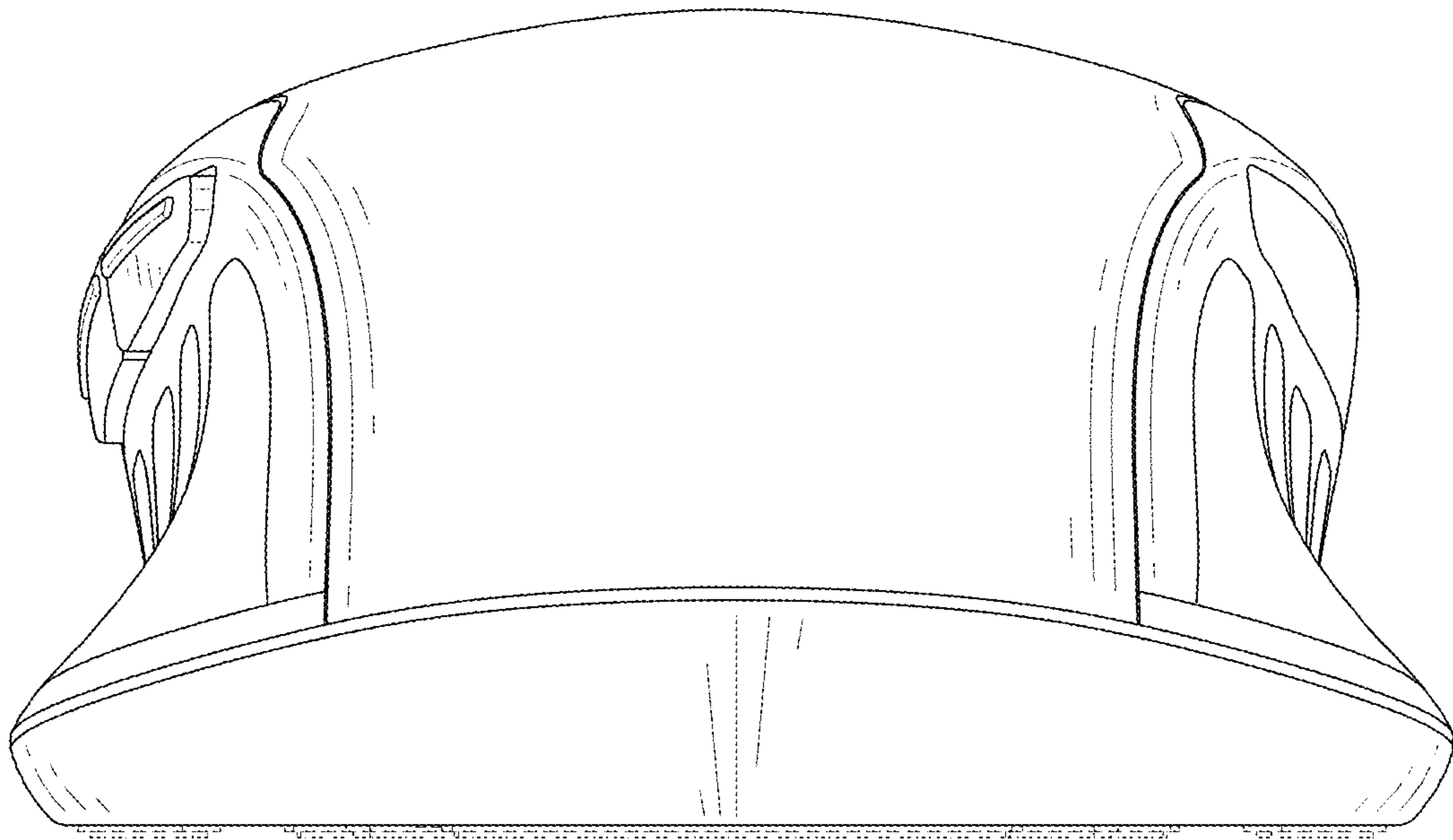


FIG. 8