



US00D903665S

(12) **United States Design Patent** (10) **Patent No.:** **US D903,665 S**
Yoon et al. (45) **Date of Patent:** **** Dec. 1, 2020**

(54) **COMPUTER**

(71) Applicant: **Hewlett-Packard Development Company, L.P.**, Houston, TX (US)

(72) Inventors: **Daniel Yoon**, Palo Alto, CA (US);
Glenn A. Wong, Palo Alto, CA (US)

(73) Assignee: **Hewlett-Packard Development Company, L.P.**, Spring, TX (US)

(**) Term: **15 Years**

(21) Appl. No.: **29/635,706**

(22) Filed: **Feb. 1, 2018**

(51) **LOC (12) Cl.** **14-02**

(52) **U.S. Cl.**
USPC **D14/349**

(58) **Field of Classification Search**
USPC D14/351–355, 359, 440–441, 444, 446,
D14/140.1, 140.2, 240, 242, 301–302,
D14/308, 348–349, 356–358; D9/424,
D9/430, 432–433; 206/706–709,
206/722–725; D13/184; D23/364
CPC G06F 1/20; H05K 5/00; H05K 5/0213;
H05K 5/03

See application file for complete search history.

(56) **References Cited**

U.S. PATENT DOCUMENTS

D357,684 S * 4/1995 Moreland D14/240
D397,115 S * 8/1998 Gremchuck D14/214
D460,965 S * 7/2002 O'Brien D14/349
D512,999 S * 12/2005 Kumano D14/349
(Continued)

FOREIGN PATENT DOCUMENTS

CN 2741093 Y 11/2005
CN 203311317 U 11/2013
(Continued)

OTHER PUBLICATIONS

Metis Mini ITX Full ALU Chassis, RaiJintek, youtube.com, published by RaiJintek on Sep. 4, 2014 © not listed, online, site visited Jun. 7, 2019. Available from Internet, URL: <https://www.youtube.com/watch?v=l3gmm6rjVKA&feature=youtu.be> (Year: 2014).*

(Continued)

Primary Examiner — Marissa J Cash

Assistant Examiner — Altaira J Swangin

(74) *Attorney, Agent, or Firm* — HP Inc. Patent Department

(57) **CLAIM**

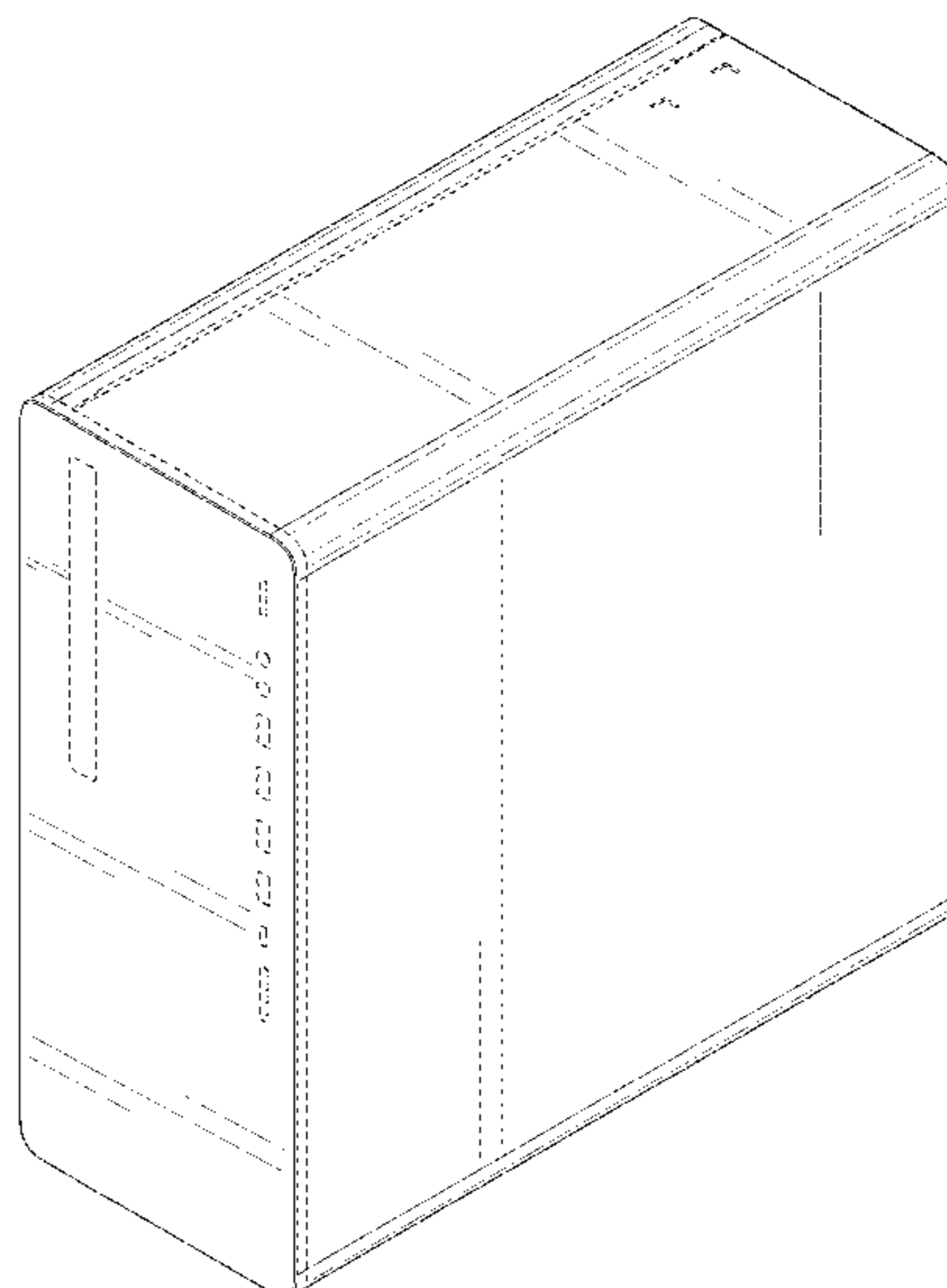
The ornamental design for a computer, as shown and described.

DESCRIPTION

FIG. 1 is a front, top, left-side perspective view of a computer in accordance with our new design;
FIG. 2 is a front elevational view of the computer shown in FIG. 1;
FIG. 3 is a rear elevational view of the computer shown in FIG. 1;
FIG. 4 is a right-side elevational view of the computer shown in FIG. 1;
FIG. 5 is a left-side elevational view of the computer shown in FIG. 1;
FIG. 6 is a top plan view of the computer shown in FIG. 1;
FIG. 7 is a bottom plan view of the computer shown in FIG. 1; and,
FIG. 8 is a front, bottom, right-side perspective view of the computer shown in FIG. 1.

The broken lines immediately adjacent the shaded area represent the bounds of the claimed design while all other broken lines are directed to environment. None of the broken lines form part of the claimed design.

1 Claim, 8 Drawing Sheets



(56)

References Cited

U.S. PATENT DOCUMENTS

D516,556 S * 3/2006 Graziano D14/359
 D524,810 S * 7/2006 Noda D14/349
 D527,002 S * 8/2006 Frank D14/349
 7,269,003 B1 * 9/2007 Chung G11B 33/022
 165/185
 D568,881 S * 5/2008 Hsiau D14/356
 D604,731 S * 11/2009 Minehart D14/349
 D606,066 S * 12/2009 Lee D14/301
 D606,541 S * 12/2009 Solomon D14/349
 D615,968 S * 5/2010 Herbst D14/300
 D621,441 S * 8/2010 Kim D18/39
 D625,718 S * 10/2010 Lee D14/349
 D643,035 S * 8/2011 Chen D14/349
 D644,220 S * 8/2011 Chen D14/349
 D647,088 S * 10/2011 Chen D14/349
 D647,089 S * 10/2011 Chen D14/349
 D655,275 S * 3/2012 Won D14/214
 D670,681 S * 11/2012 Chang D14/242
 D676,444 S * 2/2013 Cloutier D14/349
 D687,023 S * 7/2013 Jung D14/242
 8,737,065 B2 * 5/2014 Farrow G06F 1/182
 312/223.1
 D706,228 S * 6/2014 Ishiura D13/162
 D706,258 S * 6/2014 Green D14/314
 D711,821 S * 8/2014 Wang D13/103
 D714,259 S * 9/2014 Galler D14/221
 D719,932 S * 12/2014 Osborn D14/214
 D721,738 S * 1/2015 Hochman D14/496
 D734,313 S * 7/2015 Schmidt D14/300
 D755,761 S * 5/2016 Reynolds D14/242
 D759,797 S * 6/2016 Farone D23/355
 D768,129 S * 10/2016 Chen D14/349
 D768,832 S * 10/2016 Buettner D23/318
 D769,425 S * 10/2016 Buettner D23/318
 D769,429 S * 10/2016 Buettner D23/318
 D773,020 S * 11/2016 Buettner D23/318
 9,578,769 B2 2/2017 Woodhull et al.
 9,625,959 B1 * 4/2017 Chen G06F 1/187
 9,699,279 B2 7/2017 Lee et al.
 D794,016 S * 8/2017 Probst D14/349
 D797,915 S * 9/2017 Lewis D23/364
 D827,594 S * 9/2018 Shim D13/184
 D831,804 S * 10/2018 Fritz D23/318
 D837,211 S * 1/2019 Peng D14/365
 D840,006 S * 2/2019 Fritz D23/318
 D840,007 S * 2/2019 Fritz D23/318
 D841,790 S * 2/2019 Fritz D23/318
 D841,791 S * 2/2019 Fritz D23/318
 D841,792 S * 2/2019 Fritz D23/318
 D842,443 S * 3/2019 Shono D23/318
 D844,030 S * 3/2019 You D14/497
 D849,898 S * 5/2019 Fritz D23/318
 D859,616 S * 9/2019 Zhang D23/318
 D864,890 S * 10/2019 Henning D14/172
 D880,294 S * 4/2020 Gleason D9/432
 D884,864 S * 5/2020 Sun D23/364
 D887,834 S * 6/2020 Moore D9/432
 2006/0070992 A1 * 4/2006 Weber H02G 3/086
 220/4.21
 2009/0229540 A1 * 9/2009 Chang F24H 1/0009
 122/17.1
 2016/0224076 A1 * 8/2016 Song G06F 1/187
 2018/0157294 A1 * 6/2018 Hanna G06F 1/184
 2018/0239733 A1 * 8/2018 Kuriyama G11B 33/08
 2020/0068736 A1 * 2/2020 Kelly H05K 5/0204
 2020/0068743 A1 * 2/2020 Kuo G11B 33/1413
 2020/0187394 A1 * 6/2020 Murugesan H05K 9/0049
 2020/0192440 A1 * 6/2020 Edwards G06F 1/20

FOREIGN PATENT DOCUMENTS

CN 302661211 * 11/2013
 CN 303082570 * 1/2015
 CN 303113775 * 2/2015

CN 303579122 * 2/2016
 DE 202005010500 U1 10/2005
 EM 005518966-0006 * 9/2018
 EM 005518966-0009 * 9/2018
 JP D1571420 * 3/2017
 KR 20110018117 A 2/2011

OTHER PUBLICATIONS

Micro filtered Water Dispenser, Castile, eliumstudio.com, author not listed, published Mar. 17, 2016 per wayback machine © 2011 eliumstudio, online, site visited Jun. 22, 2019. Available from Internet, URL: <http://www.eliumstudio.com/portfolio/pure-castalie/> (Year: 2016).*

XPS Tower, Dell, pcmag.com, published by Matthew Buzzi on Oct. 13, 2017 © 1996-2019 Ziff Davis, LLC, PCMag Digital Group, online, site visited Jun. 22, 2019. Available from Internet, URL: <https://www.pcmag.com/review/356700/dell-xps-tower-special-edition-8930> (Year: 2017).*

ENVY Desktop Computer 795-0030qd, HP, store.hp.com, author not listed, published on Dec. 25, 2018 per wayback machine © 2019 HP Development Copmany, L.P., online, site visited Jun. 22, 2019. Available from Internet, URL: <https://store.hp.com/us/en/pdp/hp-envy-desktop-795-0030qd-4ab22av-1> (Year: 2018).*

Cubit 3 Computer Case, Hoojum, overclock.net, published by user ron310 on Jan. 25, 2014 © VerticalScope, Inc., online, site visited Jun. 22, 2019. Available from Internet, URL: <https://www.overclock.net/forum/161-computer-cases/1461991-my-hoojum-cubit-3-a.html> (Year: 2014).*

RM-1 ATX Mini Tower, Jonsbo, jonsbo.eu, author not listed, published on Nov. 30, 2016 © 2015 PC-Cooling, online, site visited Jul. 17, 2019. Available from Internet, URL: <http://www.jonsbo.eu/en/archive/72/rm1-black#prettyPhoto> (Year: 2016).*

Wireless Bluetooth Speaker, Xiaomi, chinaachieve.com, author not listed, published on Jul. 14, 2016 © 2019 Chinaachieve Store, online, site visited Jul. 17, 2019. Available from Internet, URL: <https://www.chinaachieve.com/xiaomi-wireless-bluetooth-speaker.html> (Year: 2016).*

RM-# Computer Case, Jonsbo, cooltek.de, author not listed, published on Jun. 13, 2016 © 2019 Cooktek, online, site visited Jul. 20, 2019. Available from Internet, URL: <http://www.cooltek.de/en/jonsbo/rm3/182/rm3> (Year: 2016).*

Split-Body Extruded Aluminum Enclosure, Circuit Specialists, circuitspecialists.com, author not listed, published on Jan. 22, 2015 per wayback machine © Circuit Specialists, Inc., online, site visited Feb. 28, 2020. Available at URL: <https://www.circuitspecialists.com/extruded-aluminum...> (Year: 2015).*

Hard Drive Enclosure Docking Station, ORICO, amazon.com, posted by ORICO on Feb. 17, 2017 © 1996-2020 Amazon.com, Inc., online, site visited Feb. 28, 2020. Available from Internet, URL: https://www.amazon.com/ORICO-Aluminum-Enclosure-Installation-Absorption/dp/B01N7CJ5FY/ref=as_li_ss_tl?ie=UTF8... (Year: 2017).*

Metis Silver Mini ITX Case, RaiJintek, overclockers.co.uk, author not listed, published on Jul. 6, 2017 per wayback machine © 2019 OCUK Limited, online, site visited Feb. 28, 2020. Available from Internet, URL: <https://www.overclockers.co.uk/raijintek-metis-silver-mini-itx-case-ca-012-rt.html> (Year: 2017).*

Split-Body Extruded Aluminum Enclosure, Circuit Specialists, circuitspecialists.com, author not listed, published on Jan. 22, 2015 per wayback machine © Circuit Specialists, Inc., online, site visited Feb. 28, 2020. Available from Internet, URL: <https://www.circuitspecialists.com/extruded-alum...> (Year: 2015).*

Hard Drive Enclosure Docking Station, ORICO, amazon.com, posted by ORICO on Feb. 17, 2017 © 1996-2020 Amazon.com, Inc., online, site visited Feb. 28, 2020. Available from Internet, URL: https://www.amazon.com/ORICO-Aluminum-Enclosure-Installation-Absorption/dp/B01N7CJ5FY/ref=as_li_ss_tl?ie=UTF8... (Year: 2017).*

(56)

References Cited

OTHER PUBLICATIONS

Lenovo S500 Hardware Maintenance Manual, First Edition Aug. 2015, Copyright Lenovo 2015—<https://cdn.cnetcontent.com/e6/12/e612c474-11ca-4fb1-98a1-cef2c6096751.pdf>.

* cited by examiner

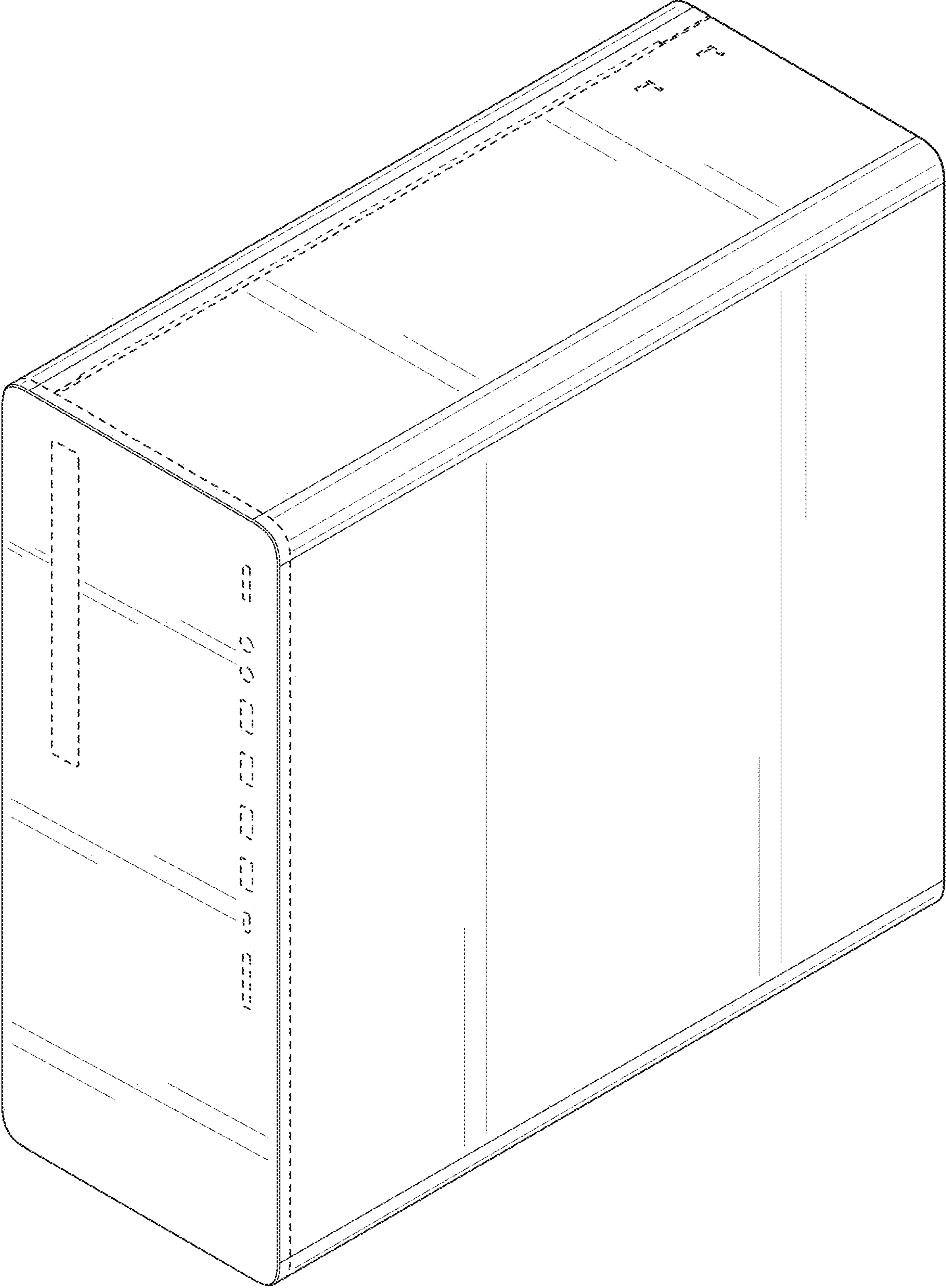


FIG. 1

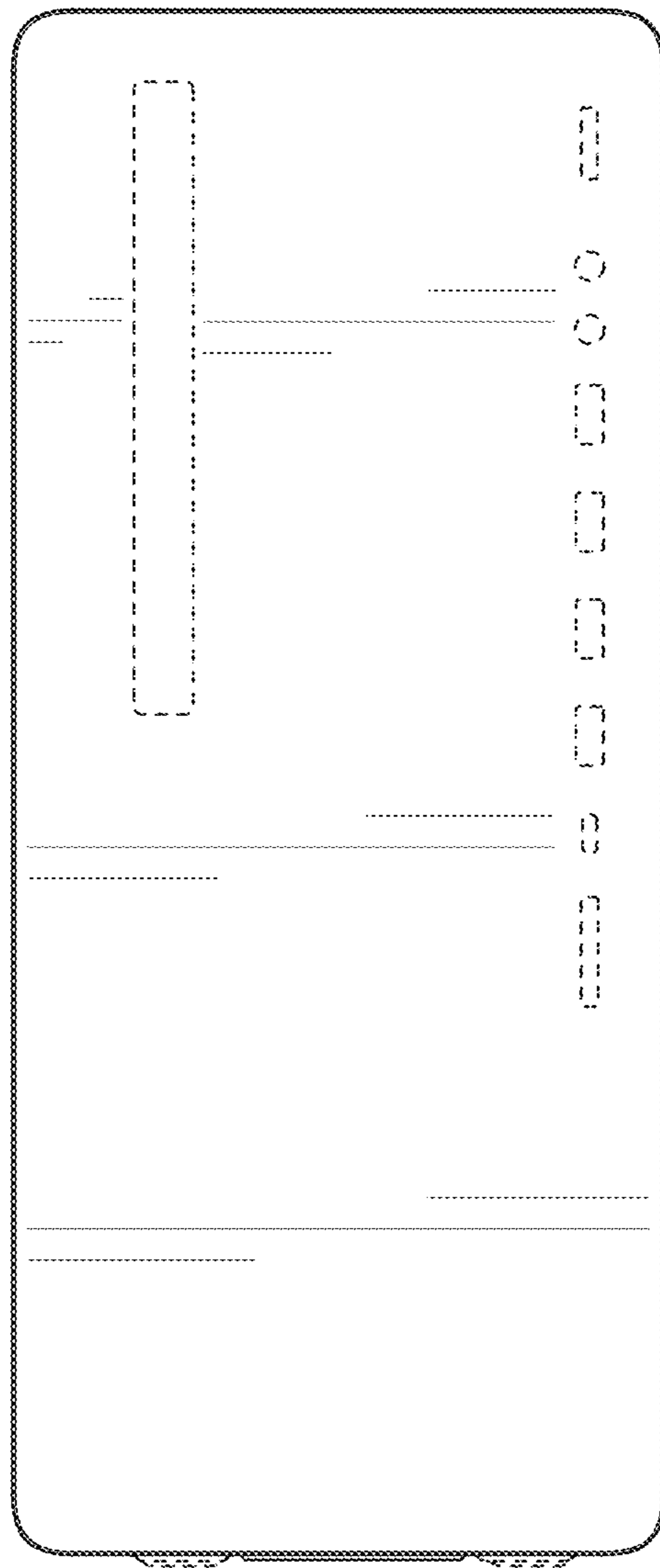


FIG. 2

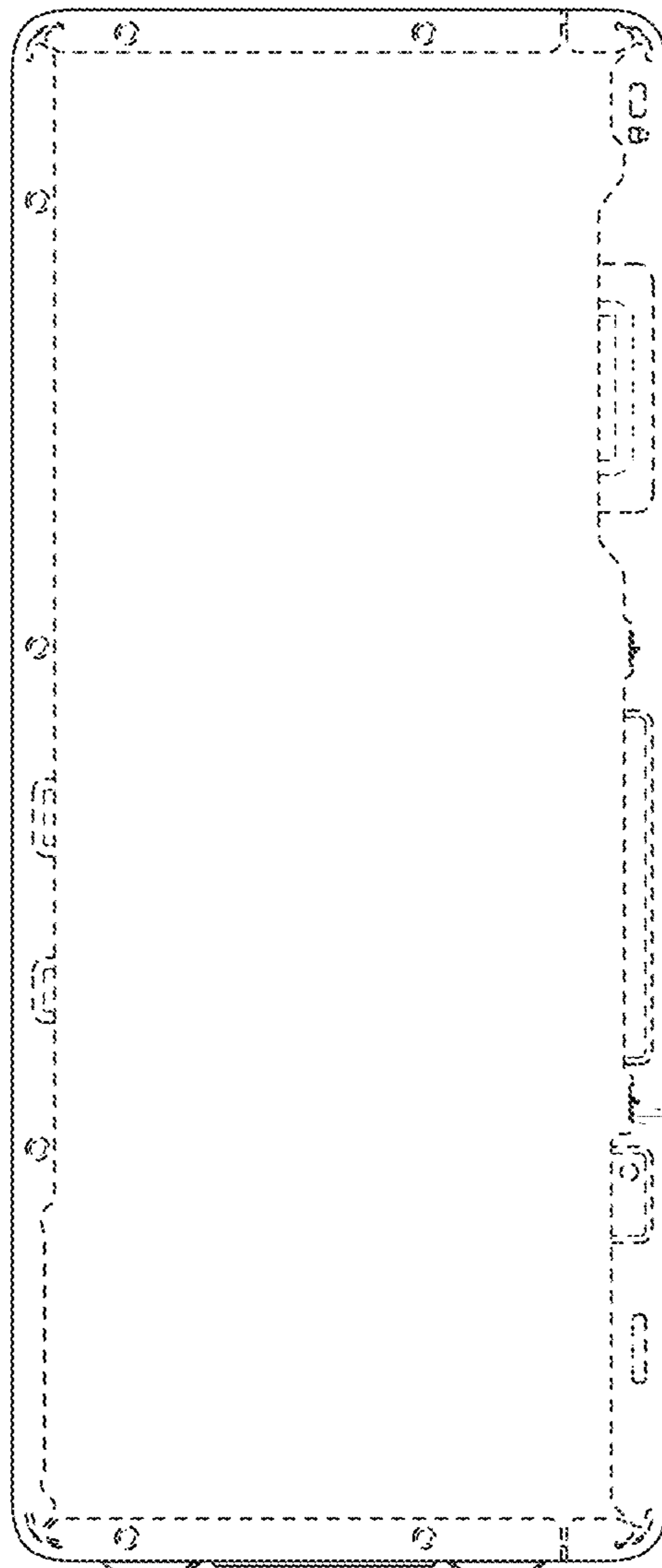


FIG. 3

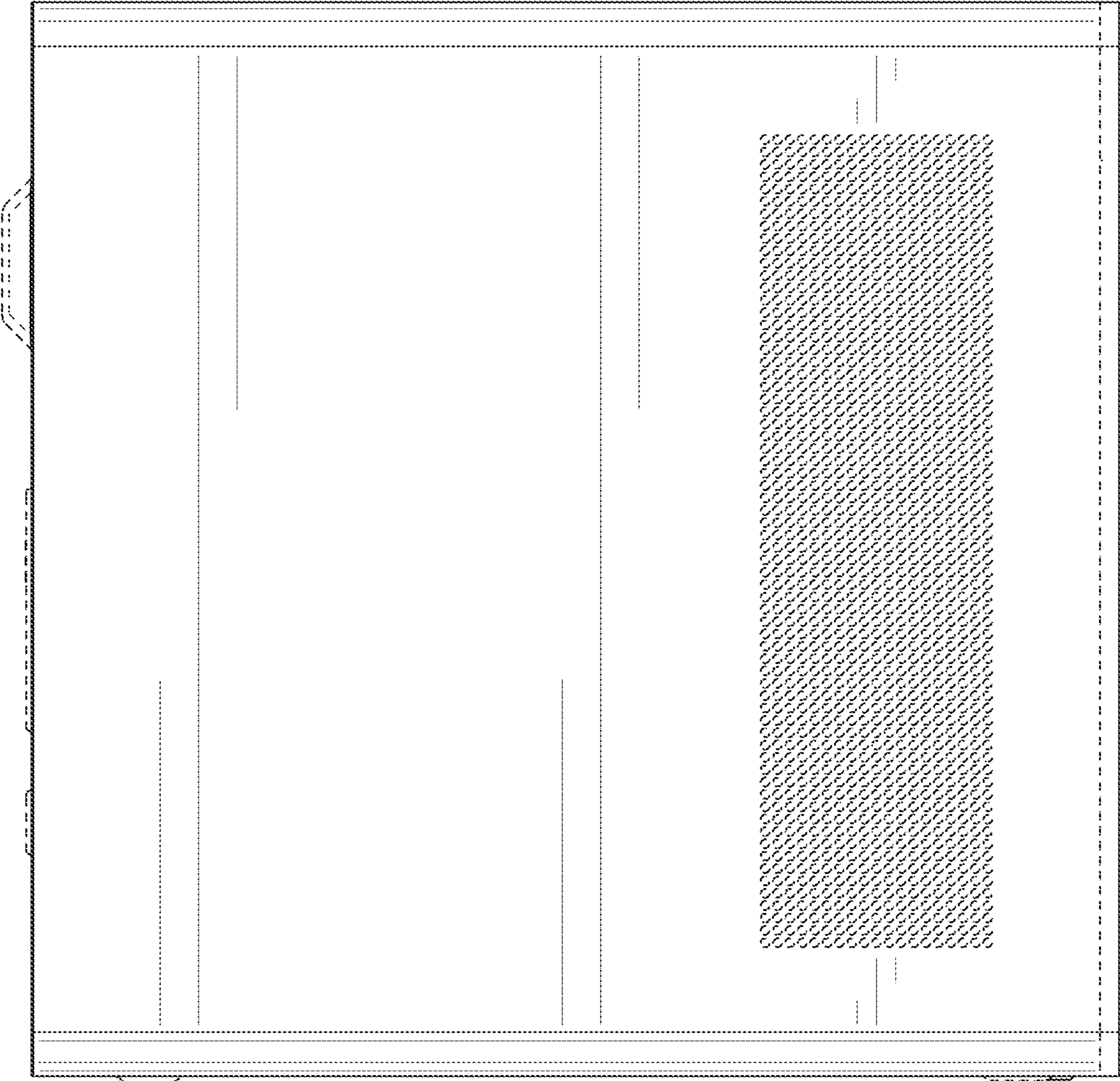


FIG. 4

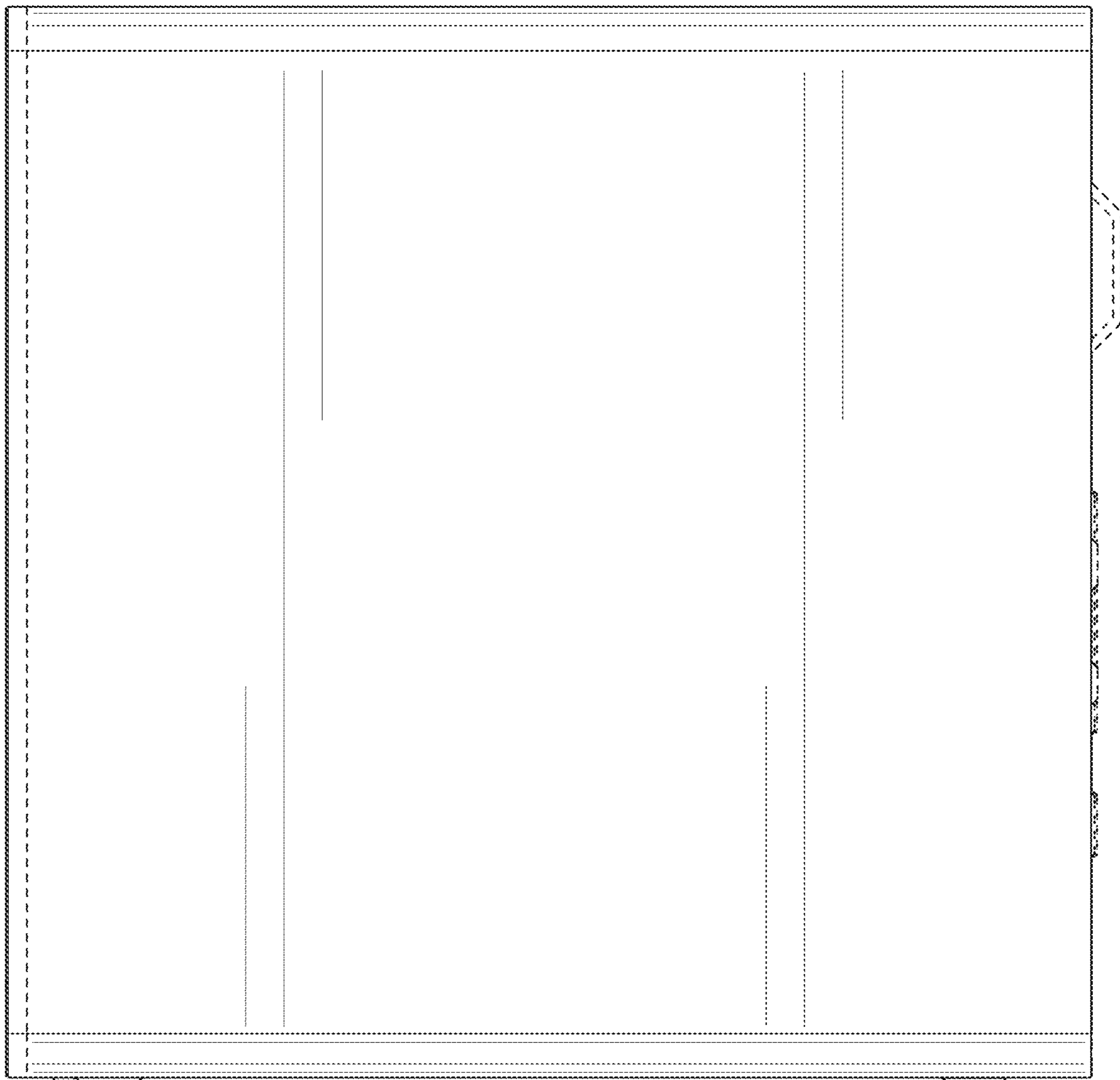


FIG. 5

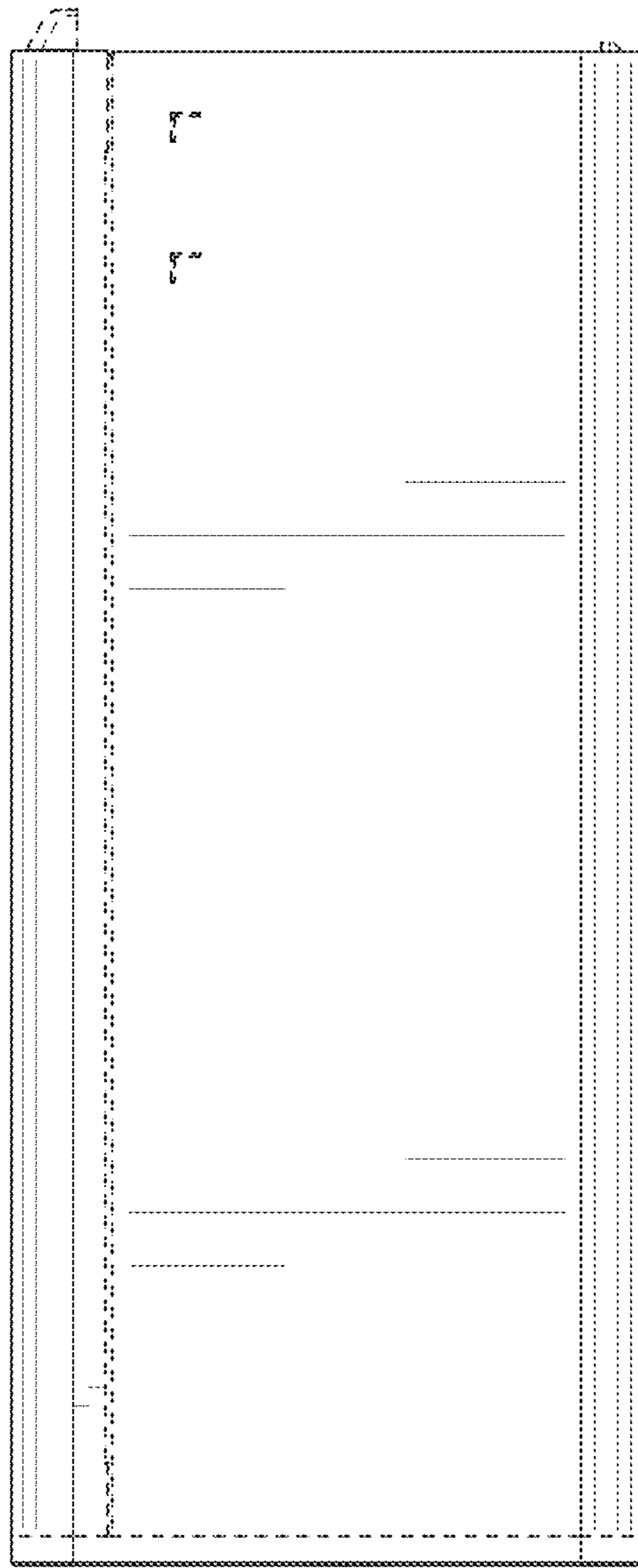


FIG. 6

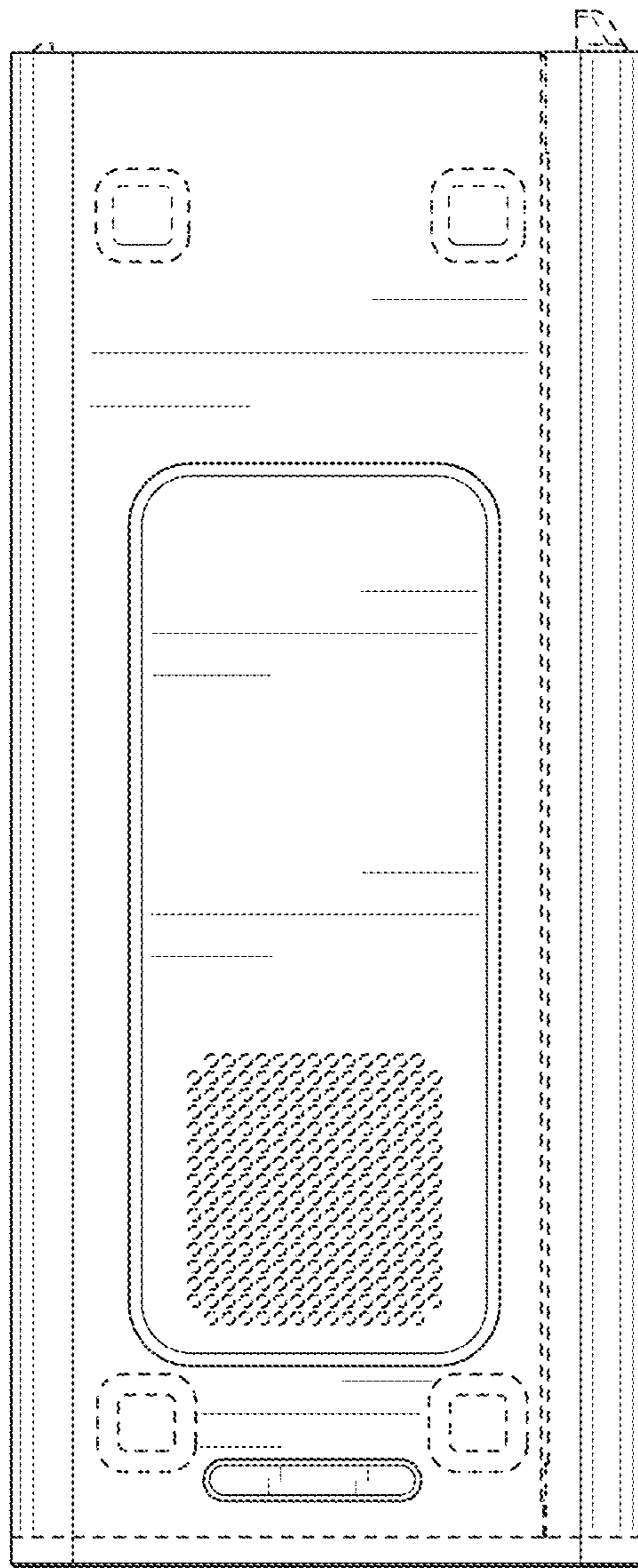


FIG. 7

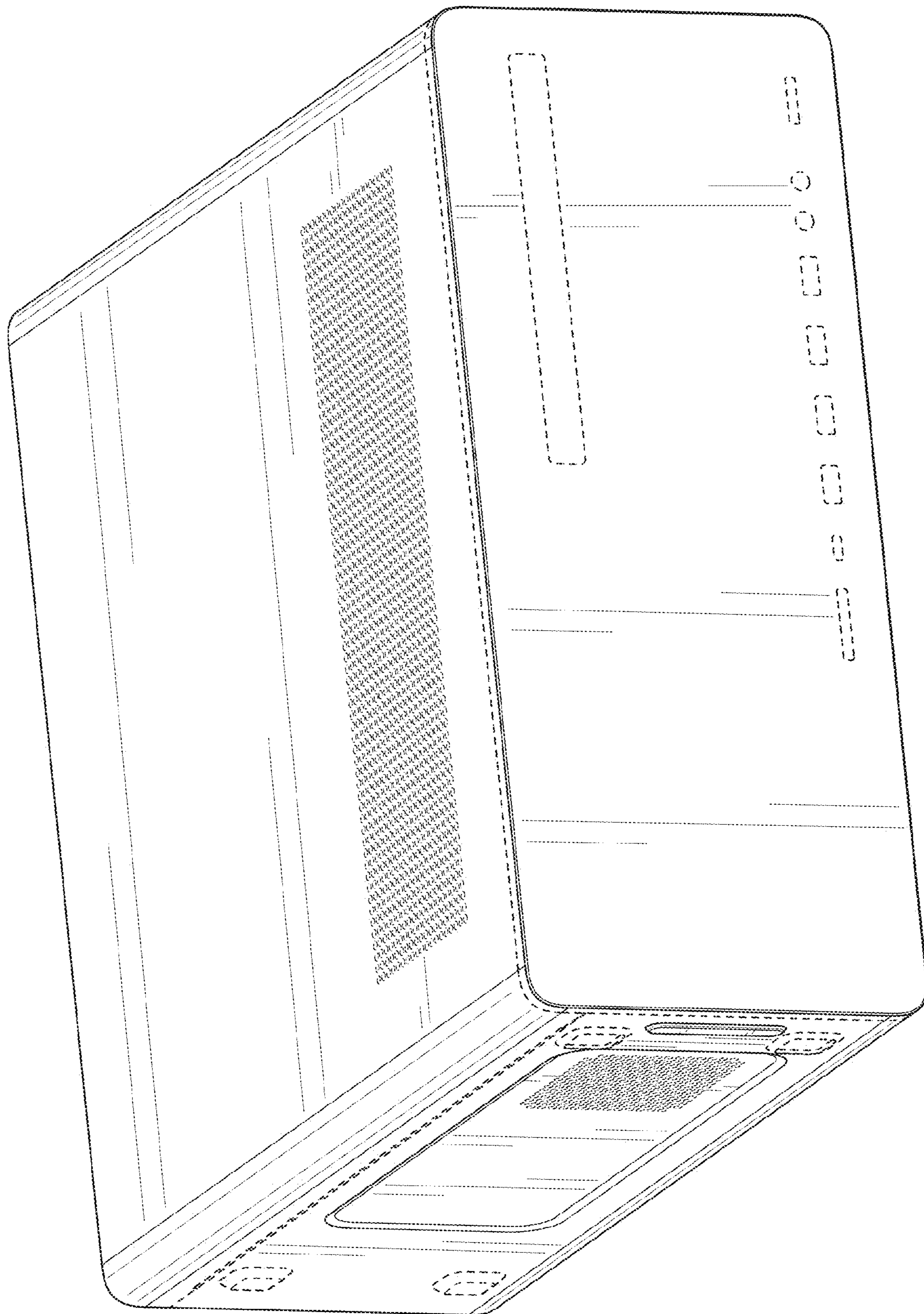


FIG. 8