



US00D903663S

(12) **United States Design Patent** (10) **Patent No.:** **US D903,663 S**
Jones et al. (45) **Date of Patent:** **** Dec. 1, 2020**

(54) **PORTABLE ELECTRONIC DEVICE**

H04M 1/04; H04M 1/05; H04M 1/667;
H04M 1/6058; Y02B 60/1217

(71) Applicant: **Samsung Electronics Co., Ltd.**,
Suwon-si (KR)

See application file for complete search history.

(72) Inventors: **Jeff Jones**, San Francisco, CA (US);
Jaehyung Hong, Suwon-si (KR); **Sean Bornheimer**, San Francisco, CA (US);
Seounghyun Son, San Francisco, CA (US); **Kwangha Choi**, Suwon-si (KR);
Yongseok Bang, Suwon-si (KR); **Eunyoung Kim**, Suwon-si (KR);
Jeongwon Ji, Suwon-si (KR); **Yoonhee Cho**, Suwon-si (KR); **Sunyoung Lee**,
Suwon-si (KR)

(56) **References Cited**

U.S. PATENT DOCUMENTS

| | | | | | | |
|------------|----|---|---------|------------|-------|------------|
| D727,194 | S | * | 4/2015 | Wilson | | D11/3 |
| D727,196 | S | * | 4/2015 | Tanner | | D11/3 |
| D755,176 | S | * | 5/2016 | Jung | | D14/344 |
| D770,321 | S | * | 11/2016 | Murphy | | D11/3 |
| D815,635 | S | * | 4/2018 | Lumme | | D14/344 |
| D829,713 | S | * | 10/2018 | Komulainen | | D14/344 |
| D840,859 | S | * | 2/2019 | Sethi | | D11/3 |
| D843,997 | S | * | 3/2019 | Yu | | D14/344 |
| 10,383,528 | B2 | * | 8/2019 | Ho | | A61B 5/742 |
| D860,818 | S | * | 9/2019 | Viry | | D10/32 |
| D865,546 | S | * | 11/2019 | Kellock | | D10/70 |

* cited by examiner

Primary Examiner — Shannon W Morgan

Assistant Examiner — Kristin E Reed

(74) *Attorney, Agent, or Firm* — NSIP Law

(73) Assignee: **Samsung Electronics Co., Ltd.**,
Suwon-si (KR)

(**) Term: **15 Years**

(21) Appl. No.: **29/679,082**

(22) Filed: **Feb. 1, 2019**

(51) **LOC (12) Cl.** **14-02**

(52) **U.S. Cl.**
USPC **D14/344**

(58) **Field of Classification Search**
USPC ... D14/138 R, 144, 341, 344, 358, 388, 218,
D14/485-495; D10/30-39, 70, 98;
D11/3, 4, 26, 93-94, 78.1, 79, 86;
D24/167, 169, 186-187, 164
CPC A41D 1/002; A41D 19/0034; G06F 1/04;
G06F 1/08; G06F 1/10; G06F 1/14; G06F
1/1626; G06F 1/1628; G06F 1/163; G06F
1/1635; G06F 1/3203; G06Q 20/10;
G06Q 20/12; G06Q 20/108; G06Q
20/145; H04B 1/3833; H04B 1/385;
H04B 1/3888; H04M 1/02; H04M 1/03;

(57) **CLAIM**

We claim the ornamental design for a portable electronic device, as shown and described.

DESCRIPTION

FIG. 1 is a front perspective view of a portable electronic device showing our new design;
FIG. 2 is a front view thereof;
FIG. 3 is a rear view thereof;
FIG. 4 is a left-side view thereof;
FIG. 5 is a right-side view thereof;
FIG. 6 is a top view thereof; and,
FIG. 7 is a bottom view thereof.
The broken lines in the figures depict portions of the portable electronic device that form no part of the claimed design.

1 Claim, 7 Drawing Sheets

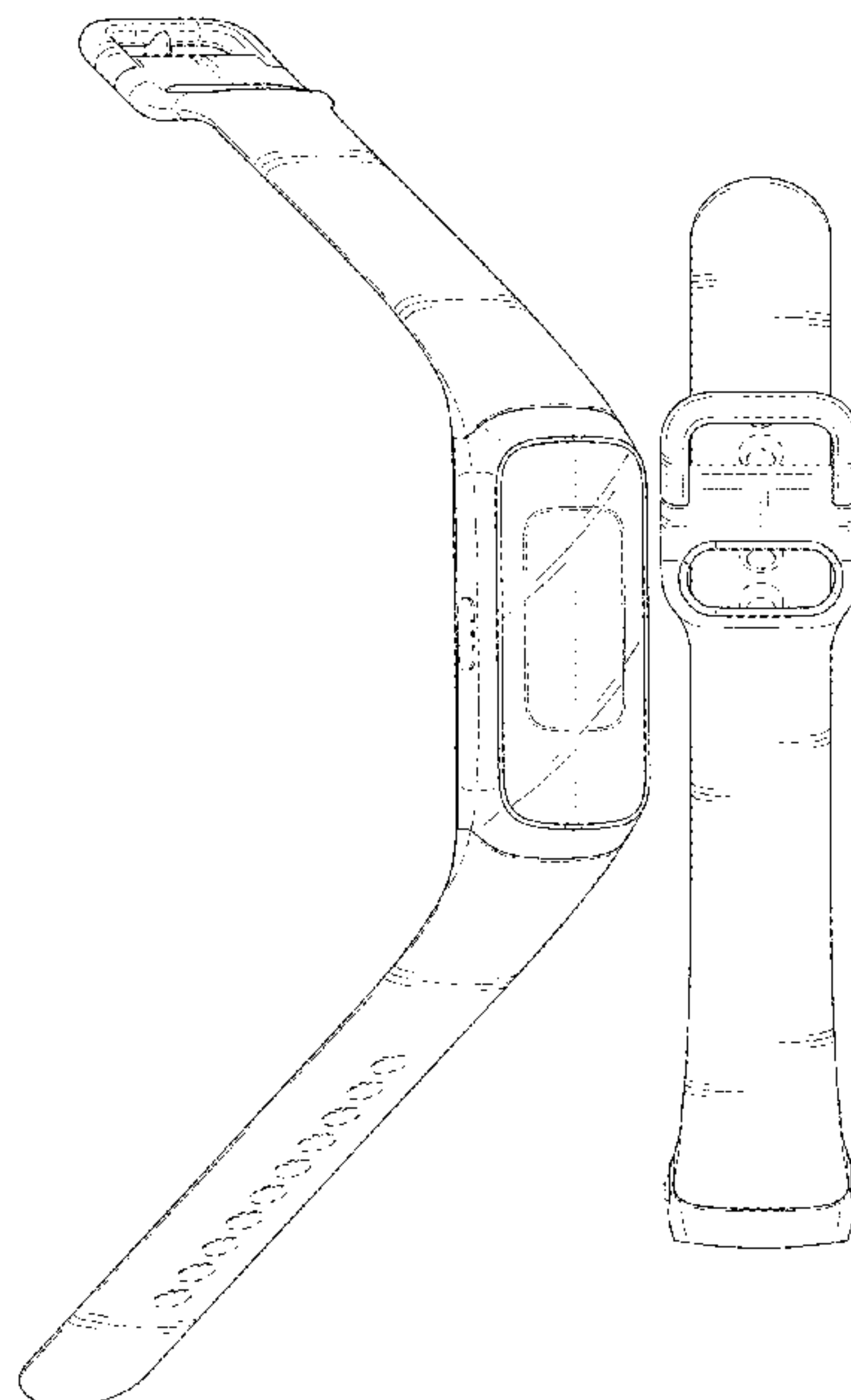


FIG. 1

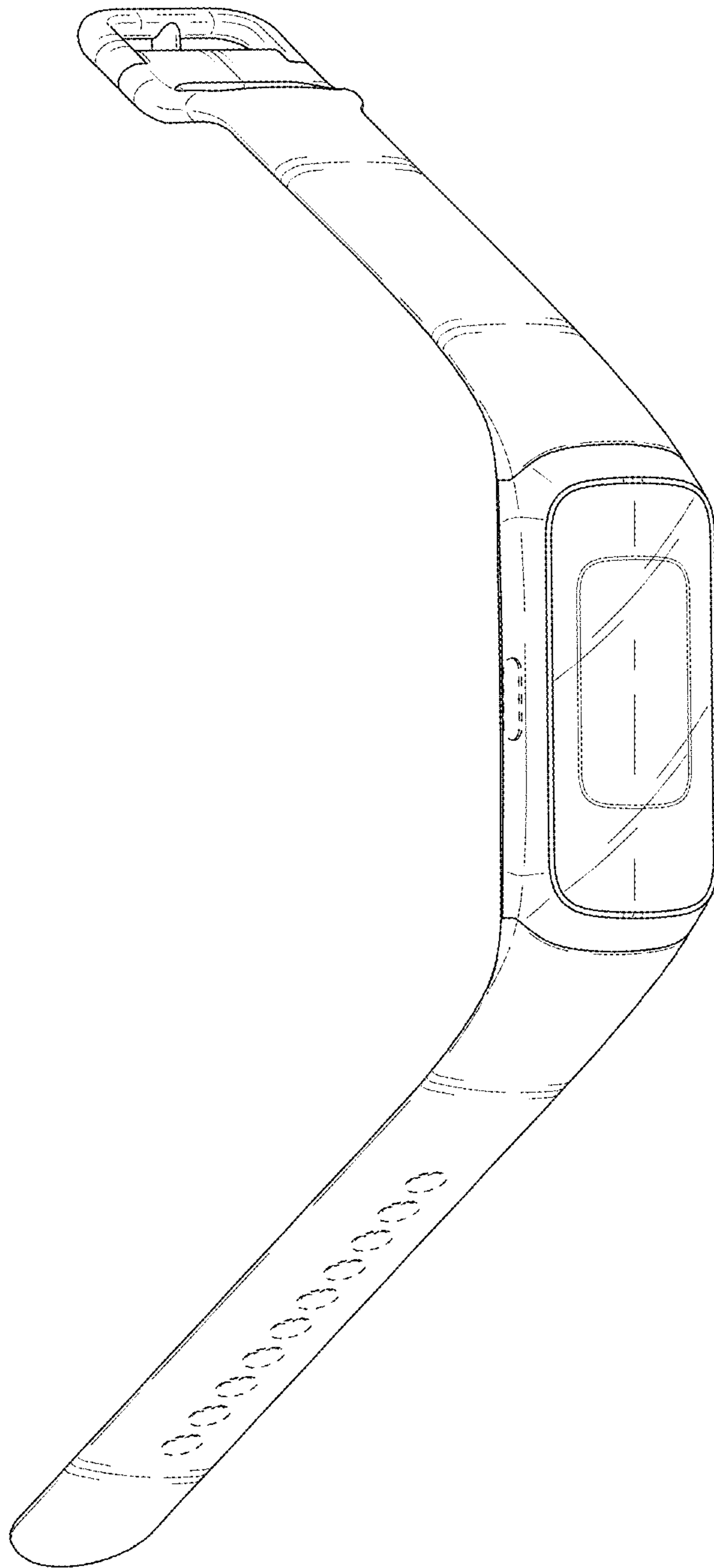


FIG. 2

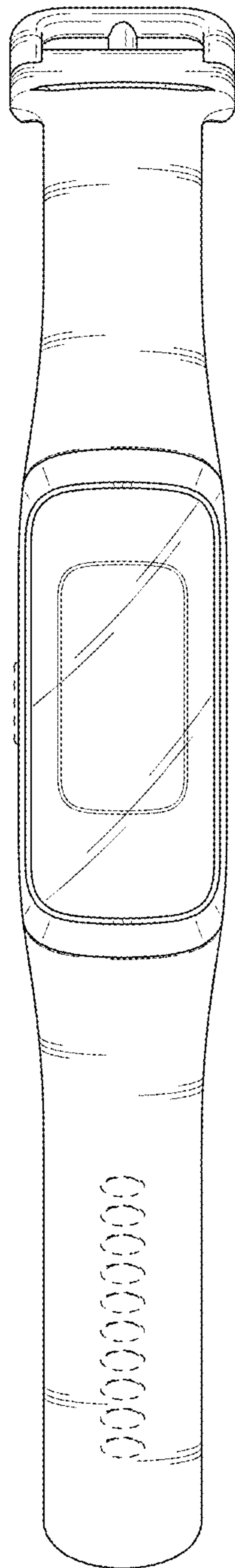


FIG. 3

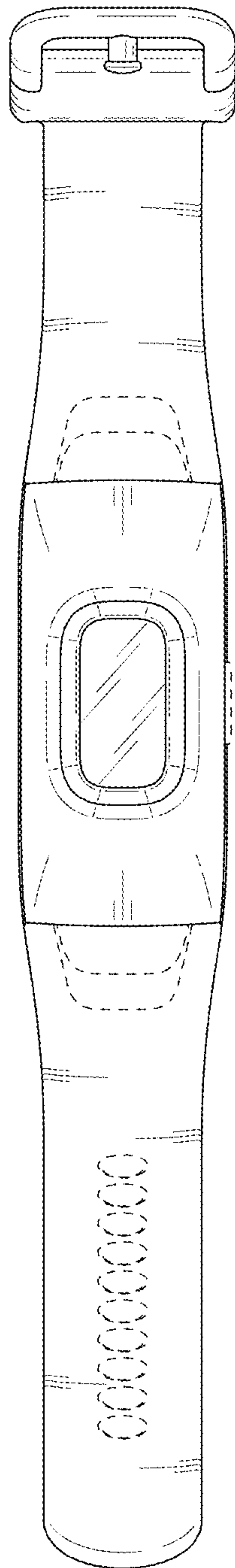


FIG. 4

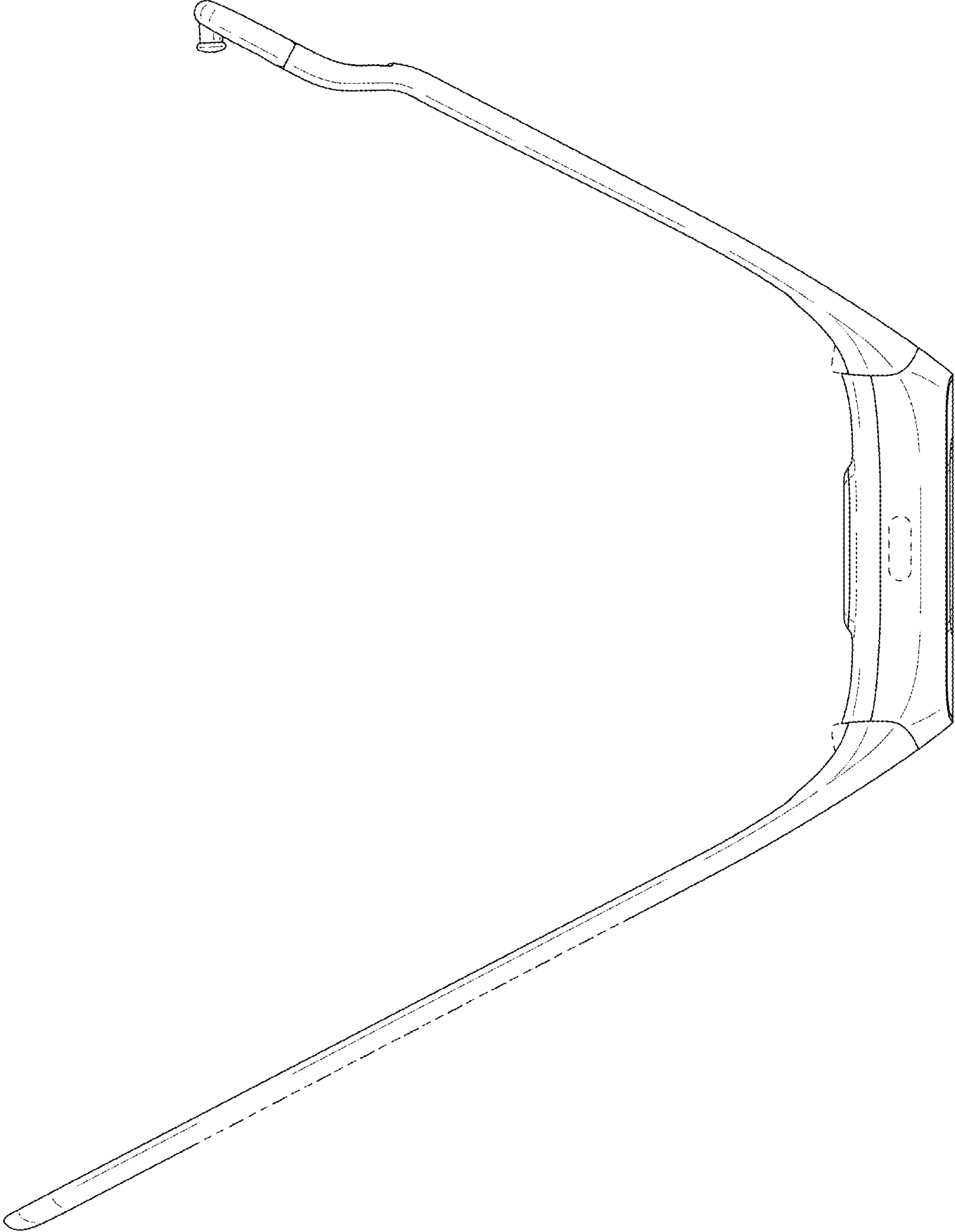


FIG. 5

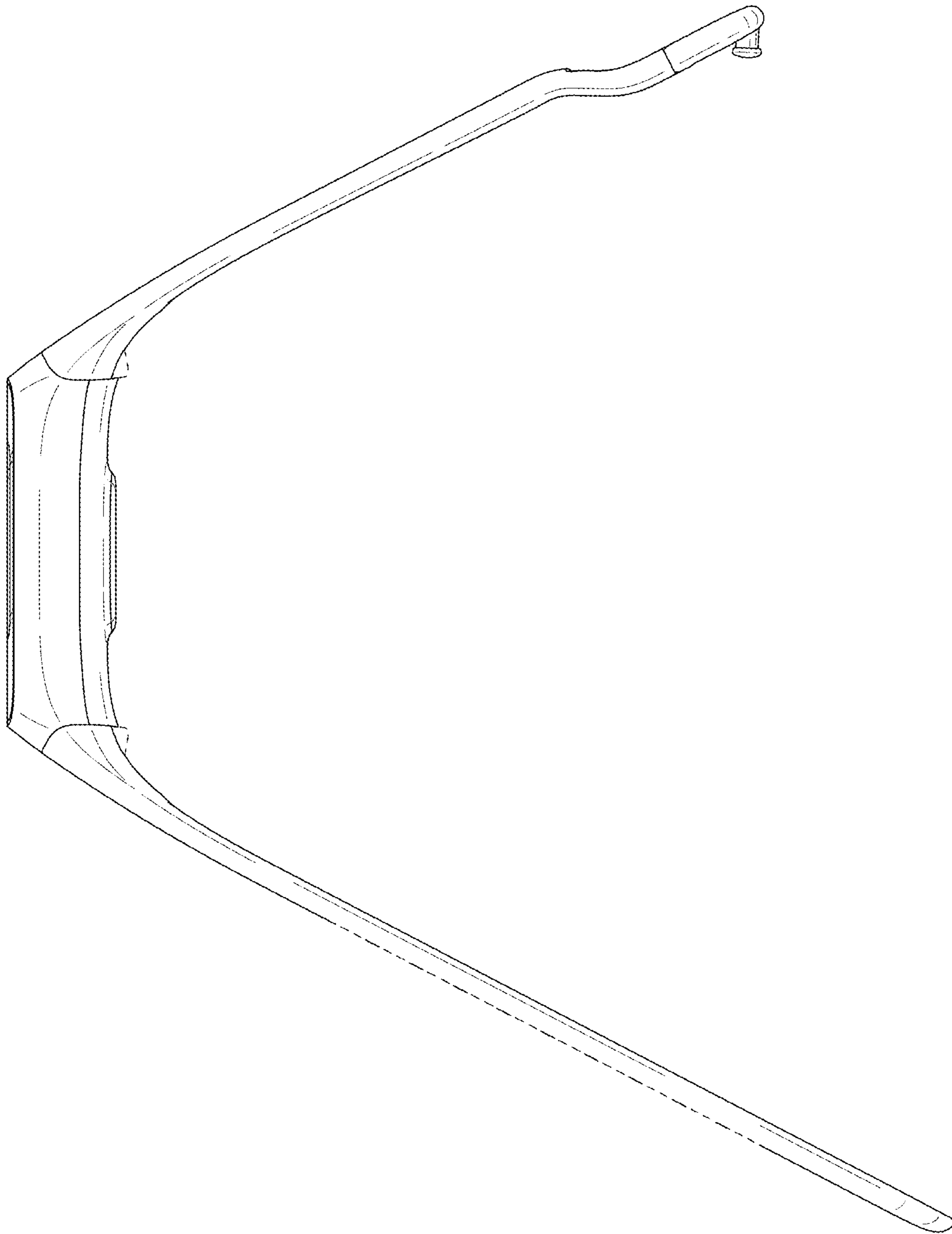


FIG. 6

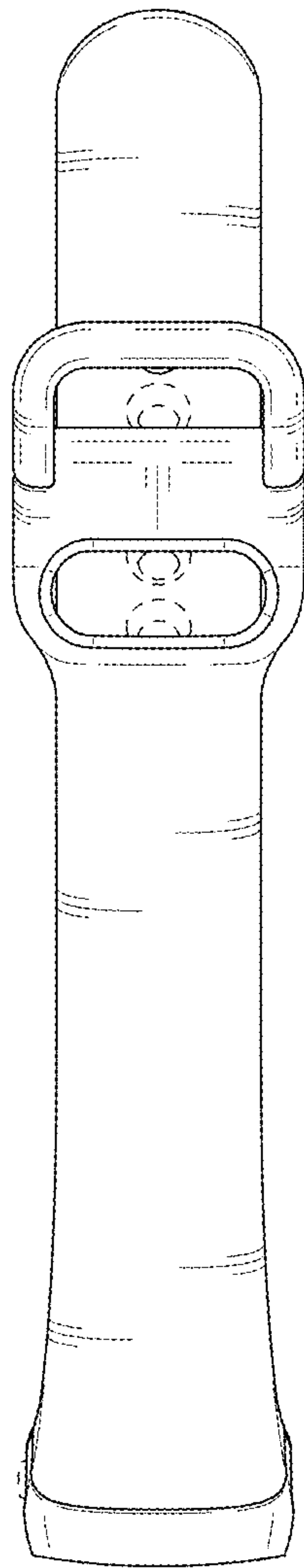


FIG. 7

