



US00D903655S

(12) **United States Design Patent** (10) **Patent No.:** **US D903,655 S**
Dadhaniya et al. (45) **Date of Patent:** **** Dec. 1, 2020**

(54) **WALL-INTEGRATED TRANSACTION DEVICE FORM**

(56) **References Cited**

U.S. PATENT DOCUMENTS

(71) Applicant: **Capital One Services, LLC**, McLean, VA (US)

D574,377 S *	8/2008	Derocher	D14/307
D616,432 S *	5/2010	Cagnina	D14/307
D628,742 S *	12/2010	Hsu	D14/307
D671,535 S *	11/2012	Terashima	D14/307
D730,890 S *	6/2015	Kraft	D14/307
D732,015 S *	6/2015	Alekhin	D14/307
D788,098 S *	5/2017	Thornton	D14/307
D816,078 S *	4/2018	Horn	D14/307
D864,947 S *	10/2019	van de Poll	D14/307
D887,403 S *	6/2020	Matsushita	D14/307

(72) Inventors: **Janak Dadhaniya**, San Francisco, CA (US); **Lisa Whitsitt**, Millbrae, CA (US); **David Kelly Wurmfeld**, McLean, VA (US); **Steve Faletti**, Brooklyn, NY (US)

(73) Assignee: **Capital One Services, LLC**, McLean, VA (US)

* cited by examiner

(**) Term: **15 Years**

Primary Examiner — Austin Murphy

(21) Appl. No.: **29/690,301**

(74) *Attorney, Agent, or Firm* — Harrity & Harrity, LLP

(22) Filed: **May 7, 2019**

(57) **CLAIM**

(51) **LOC (12) Cl.** **14-02**

The ornamental design for a wall-integrated transaction device form, as shown and described.

(52) **U.S. Cl.**

DESCRIPTION

USPC **D14/307**

(58) **Field of Classification Search**

USPC D14/302-307, 900-902; D13/163; D20/10; D21/332, 325, 369, 370; D99/28; D6/397, 466; 194/206; 361/679.01, 679.02, 679.04, 679.21, 361/679.57, 725

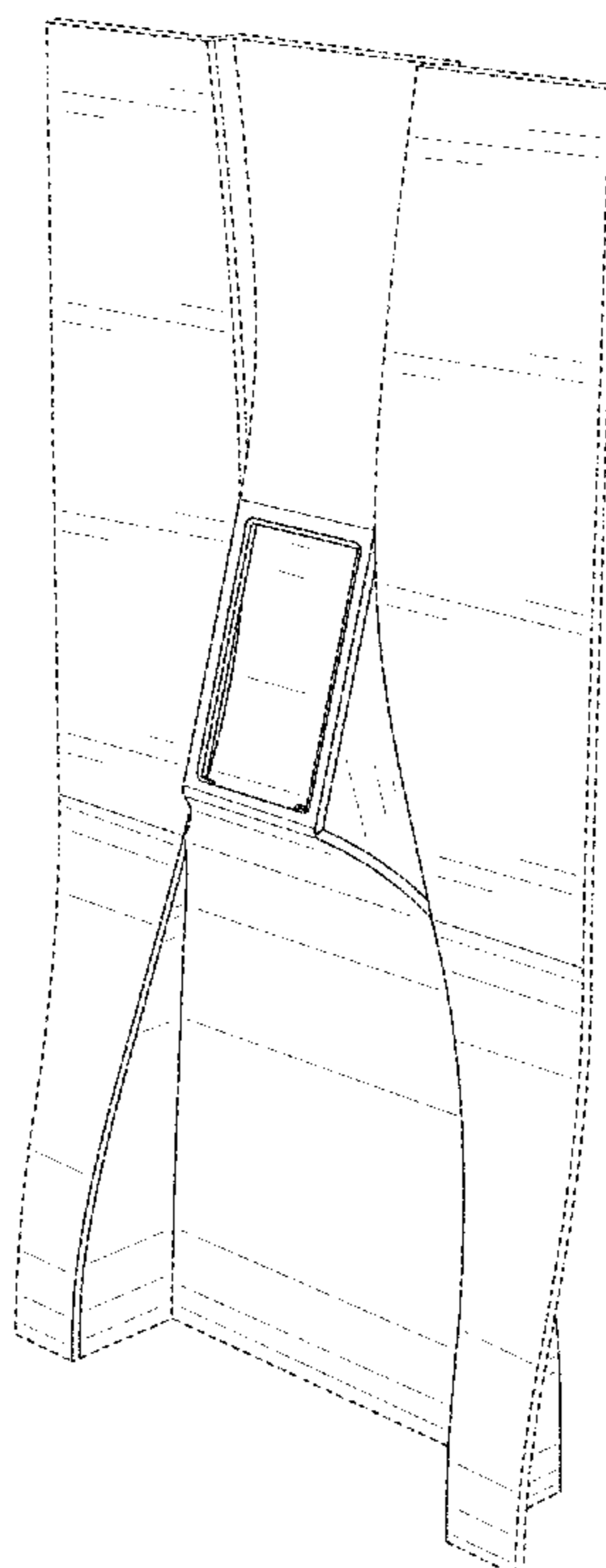
FIG. 1 is a perspective view of a wall-integrated transaction device form showing our new design; FIG. 2 is a front view of thereof; FIG. 3 is a back view of thereof; FIG. 4 is a left side view of thereof; FIG. 5 is a right side view of thereof; FIG. 6 is a top view of thereof; and, FIG. 7 is a bottom view of thereof.

CPC G06Q 20/18; G06Q 20/10; G06Q 20/123; G06Q 20/20; G06Q 30/02; G06Q 30/06; A47F 9/047

The broken lines shown in the drawings are for illustrative purposes only and form no part of the claimed design. The shade lines in the figures show contour and not surface ornamentation.

See application file for complete search history.

1 Claim, 6 Drawing Sheets



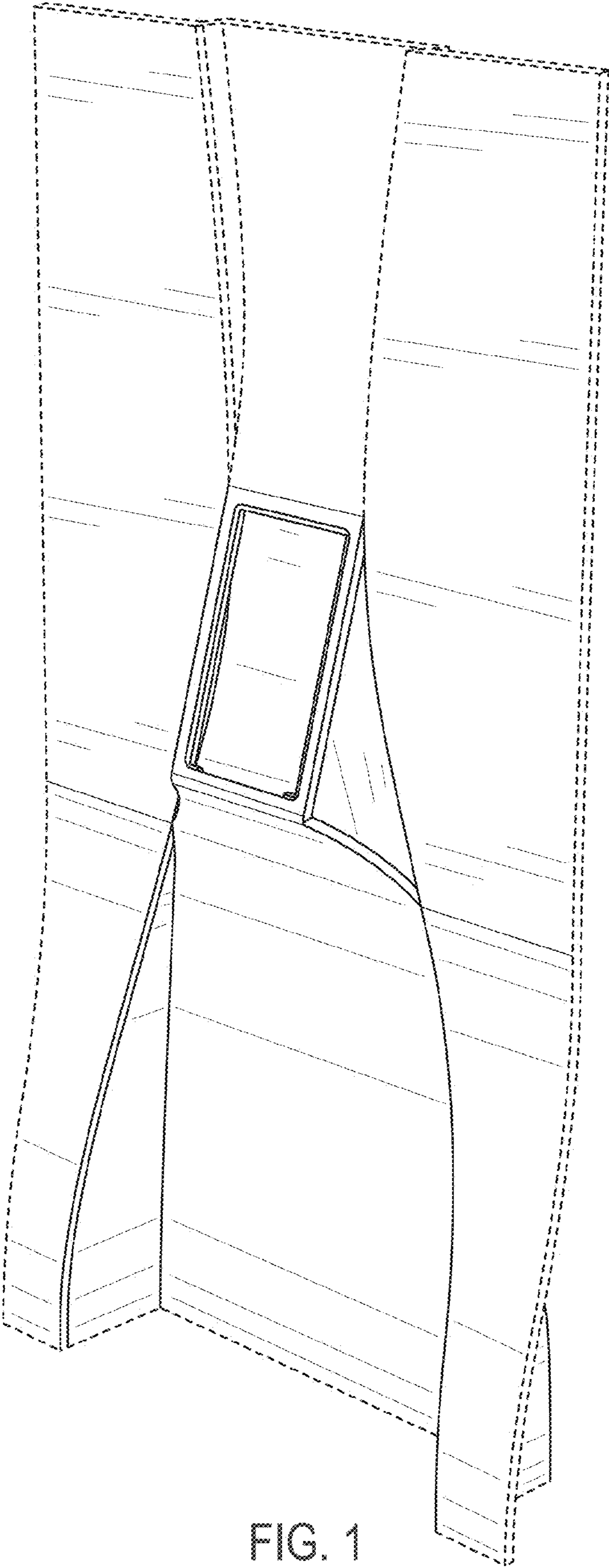


FIG. 1

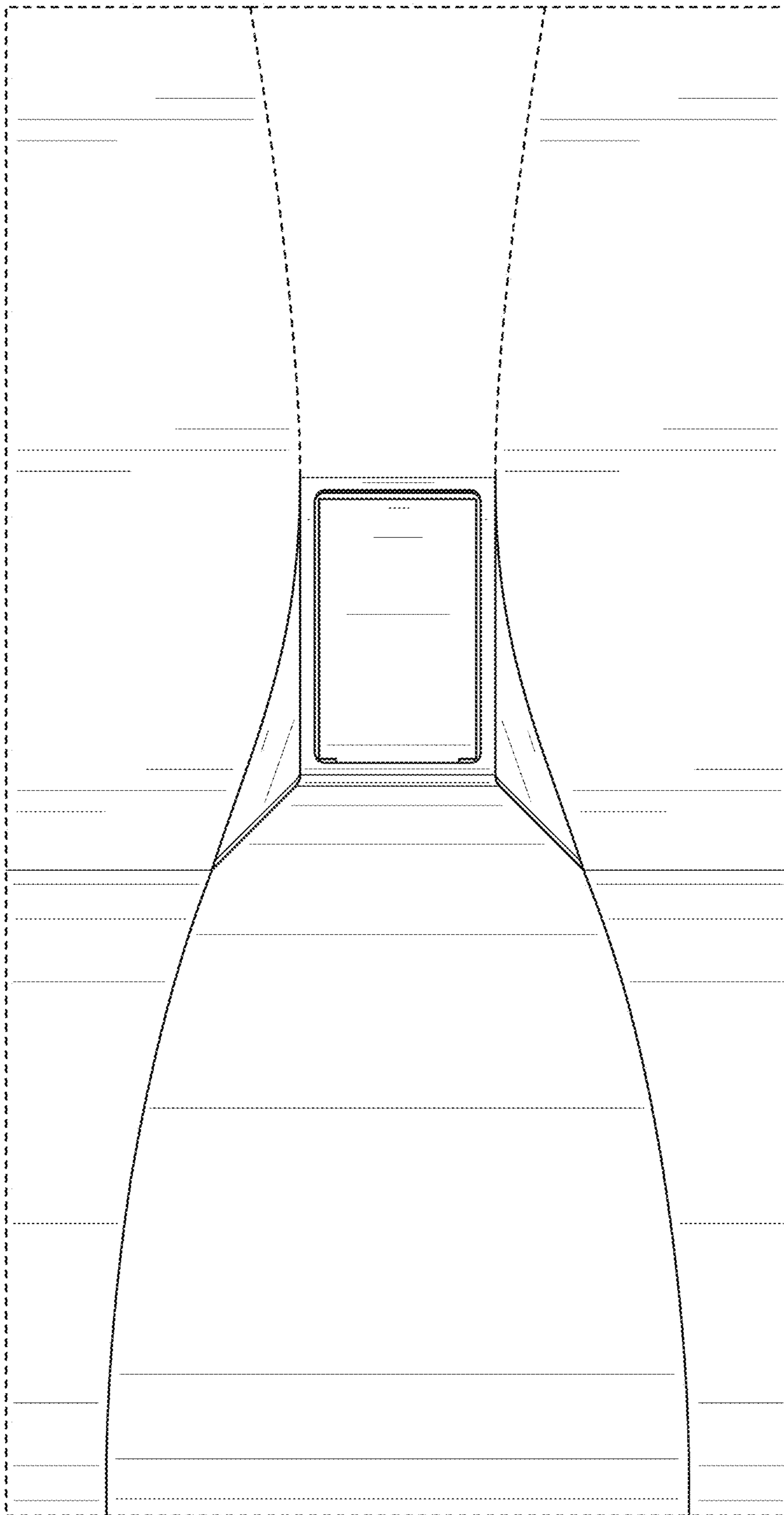


FIG. 2

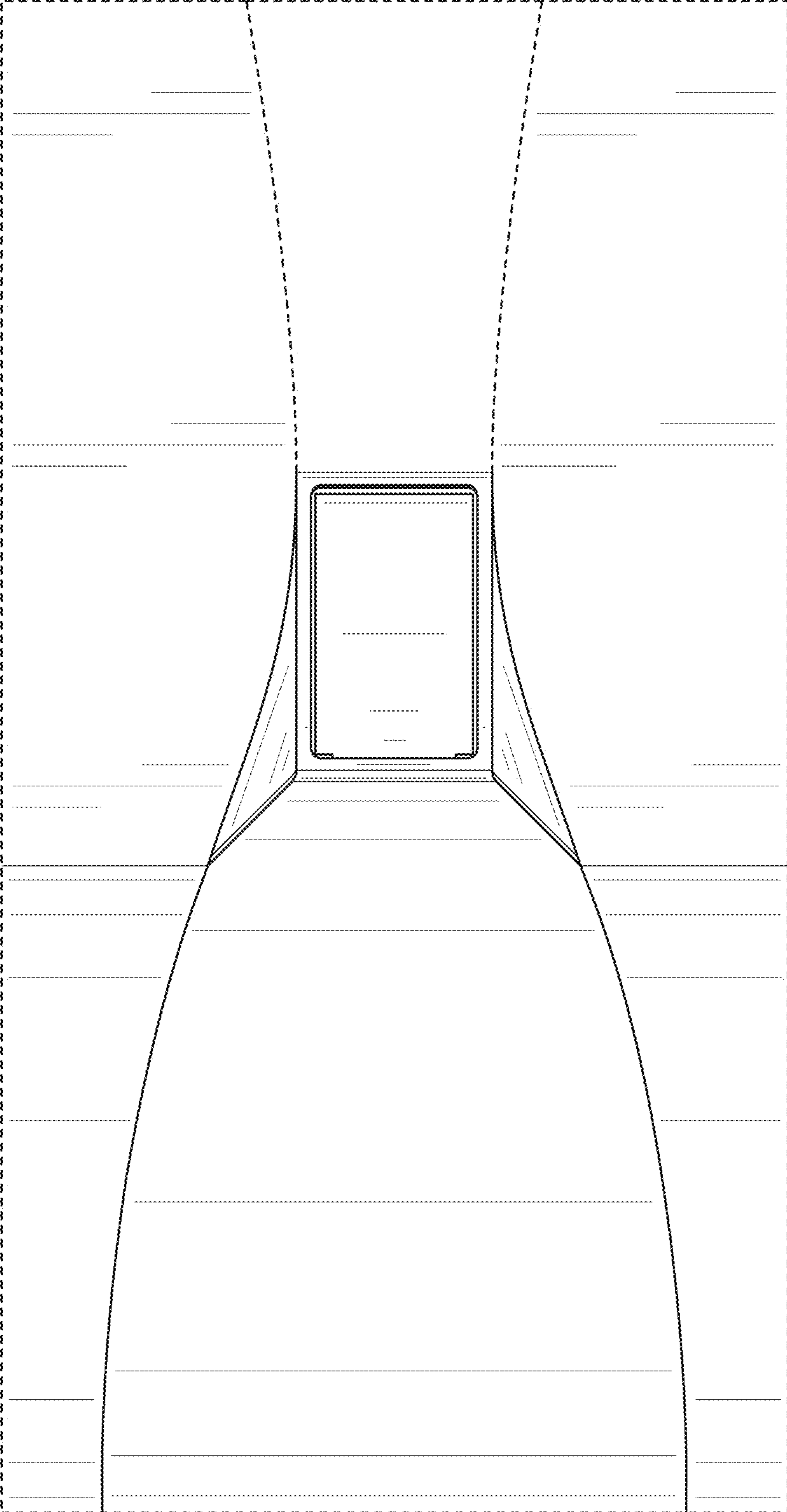


FIG. 3

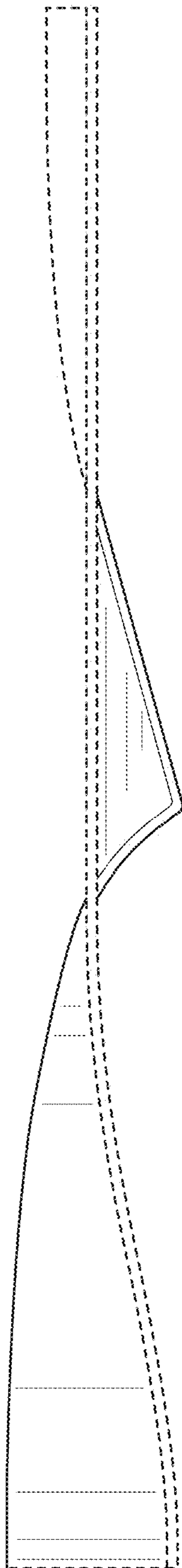


FIG. 4

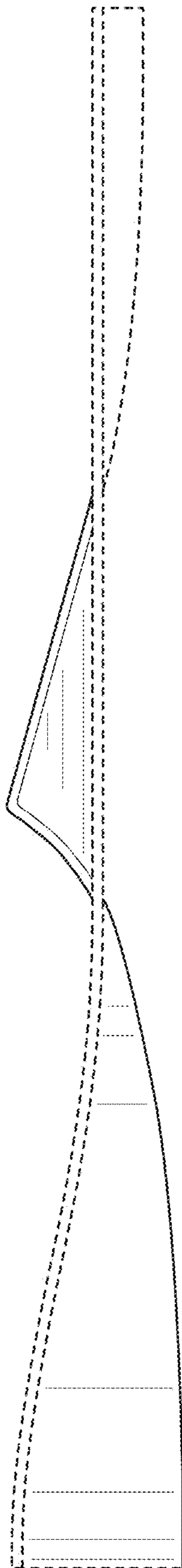


FIG. 5

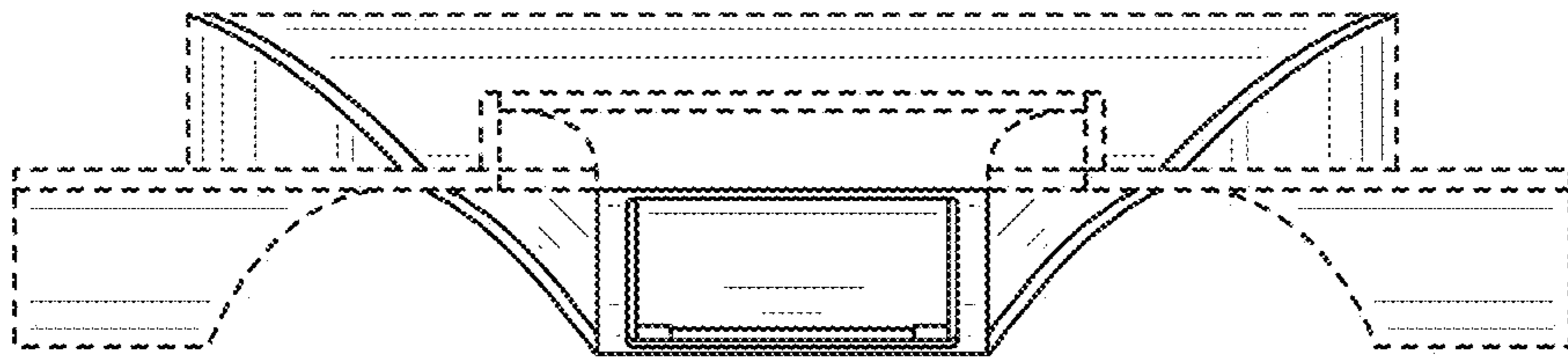


FIG. 6

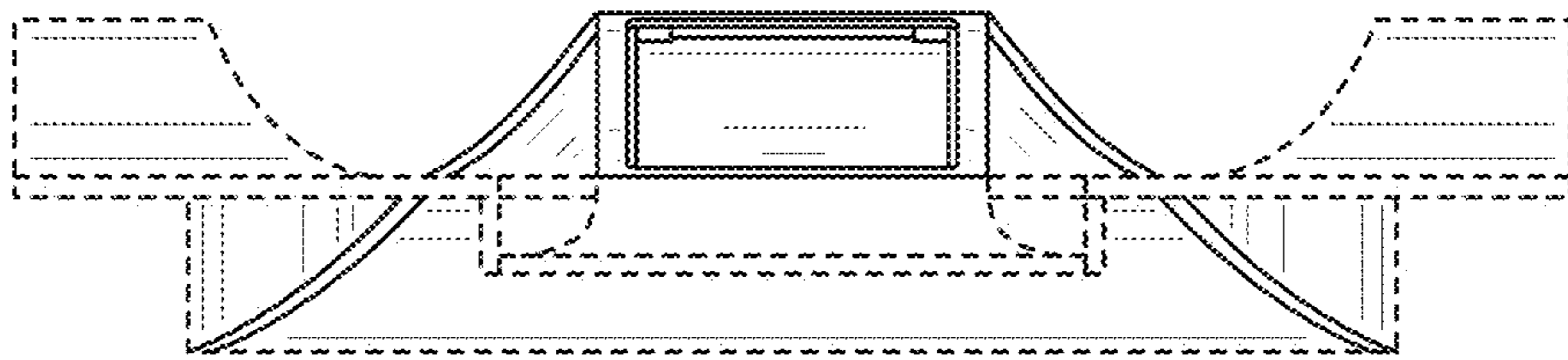


FIG. 7