



US00D903653S

(12) **United States Design Patent** (10) **Patent No.:** **US D903,653 S**
Liu (45) **Date of Patent:** **** Dec. 1, 2020**

(54) **PHONE HOLDER**
(71) Applicant: **Shenzhen Pangshi Technology Co., Ltd.**, Guangdong (CN)
(72) Inventor: **Futang Liu**, Guangdong (CN)
(73) Assignee: **Shenzhen Pangshi Technology Co., Ltd.**, Shenzhen (CN)

(**) Term: **15 Years**

(21) Appl. No.: **29/746,010**

(22) Filed: **Aug. 11, 2020**

(51) **LOC (12) Cl.** **14-03**

(52) **U.S. Cl.**
USPC **D14/253**

(58) **Field of Classification Search**
USPC D14/251–253, 447, 452, 432–434, 440;
D12/415; D3/218, 144; D8/349, 363, 72
CPC H04M 1/02; H04M 1/04; B60R 11/02;
F16M 11/00; F16M 11/04; F16M 11/06
See application file for complete search history.

(56) **References Cited**

U.S. PATENT DOCUMENTS

D393,998 S * 5/1998 Anderson D8/394
D772,218 S 11/2016 Alesi et al.

D790,528 S * 6/2017 Lindloff D14/253
D795,240 S * 8/2017 Kaufman
D826,023 S * 8/2018 Chun D8/72
D827,405 S * 9/2018 Chun D8/72
D840,994 S * 2/2019 Balmer D14/253
D840,995 S * 2/2019 Balmer D14/253
D854,006 S * 7/2019 Wang D14/253
D865,749 S * 11/2019 Fraiser D14/253
D886,094 S * 6/2020 Xu D14/253
2017/0264329 A1 * 9/2017 Balmer F16B 2/12
2019/0118972 A1 * 4/2019 Yan F16M 11/12

* cited by examiner

Primary Examiner — Janice Hallmark

(74) *Attorney, Agent, or Firm* — ScienBiziP, P.C.

(57) **CLAIM**

The ornamental design for a phone holder, as shown and described.

DESCRIPTION

FIG. 1 is a front perspective view of a phone holder, showing my design.

FIG. 2 is a front elevation view thereof.

FIG. 3 is a rear elevation view thereof.

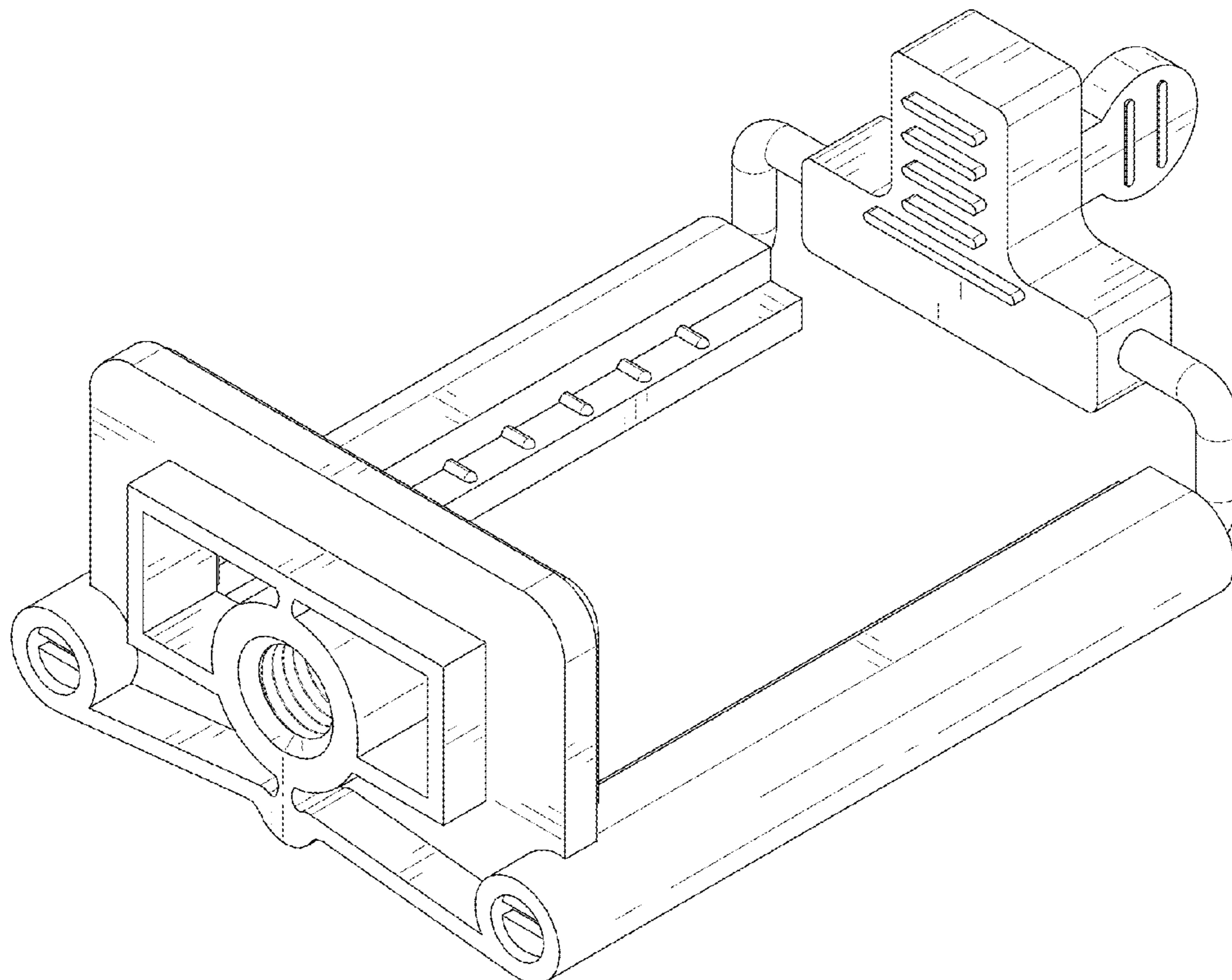
FIG. 4 is a left side elevation view thereof.

FIG. 5 is a right side elevation view thereof.

FIG. 6 is a top plan view thereof; and,

FIG. 7 is a bottom plan view thereof.

1 Claim, 7 Drawing Sheets



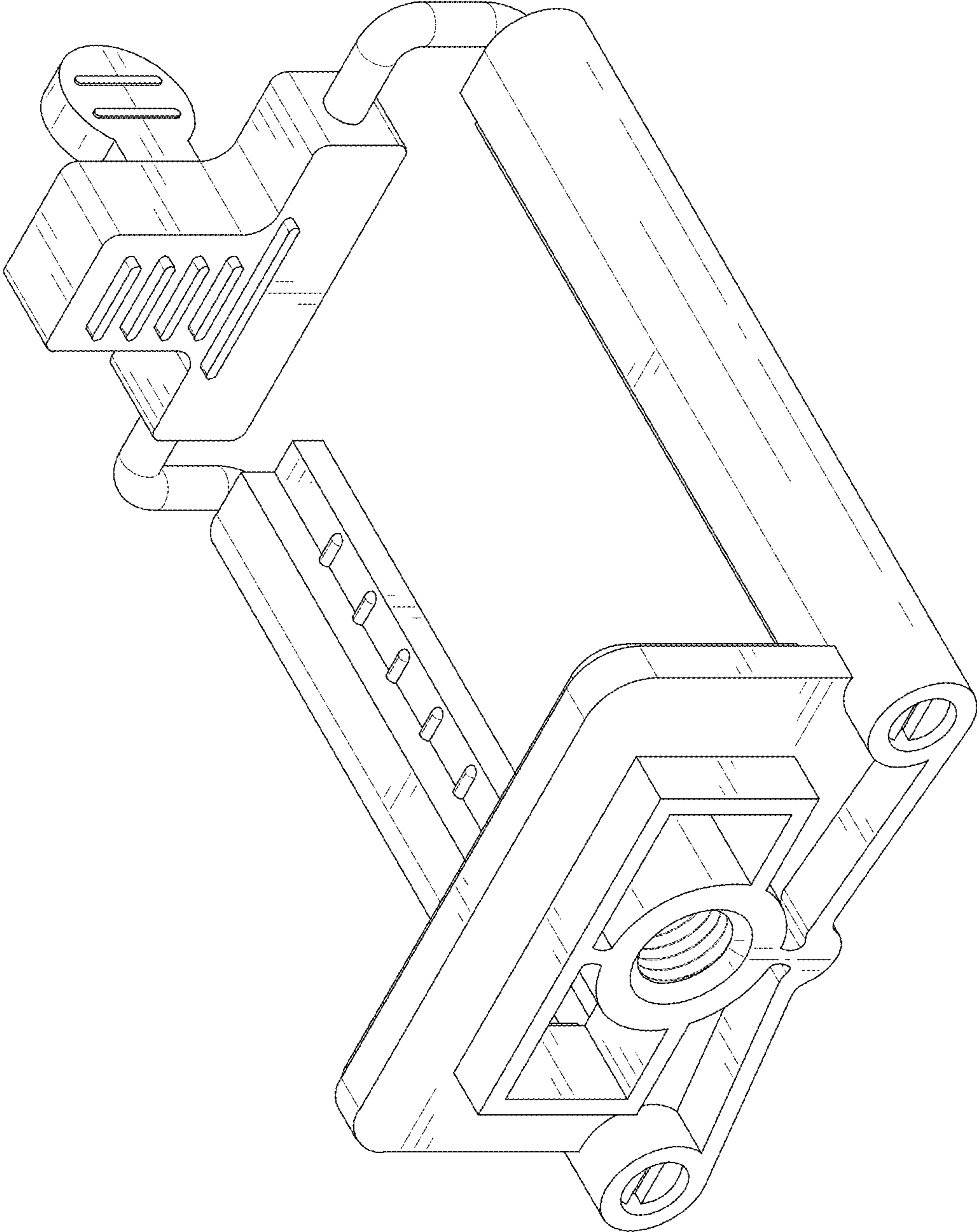


FIG.1

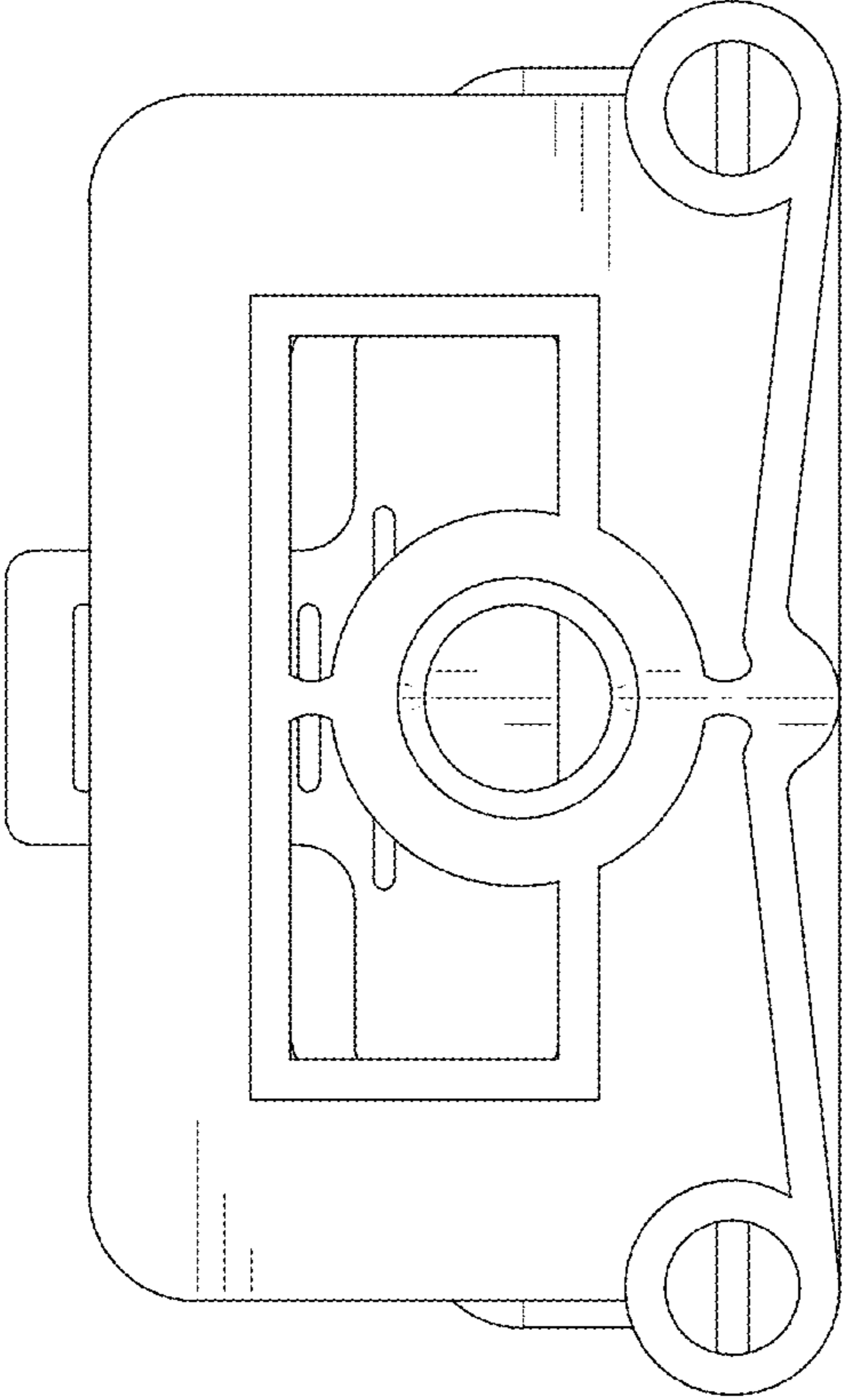


FIG. 2

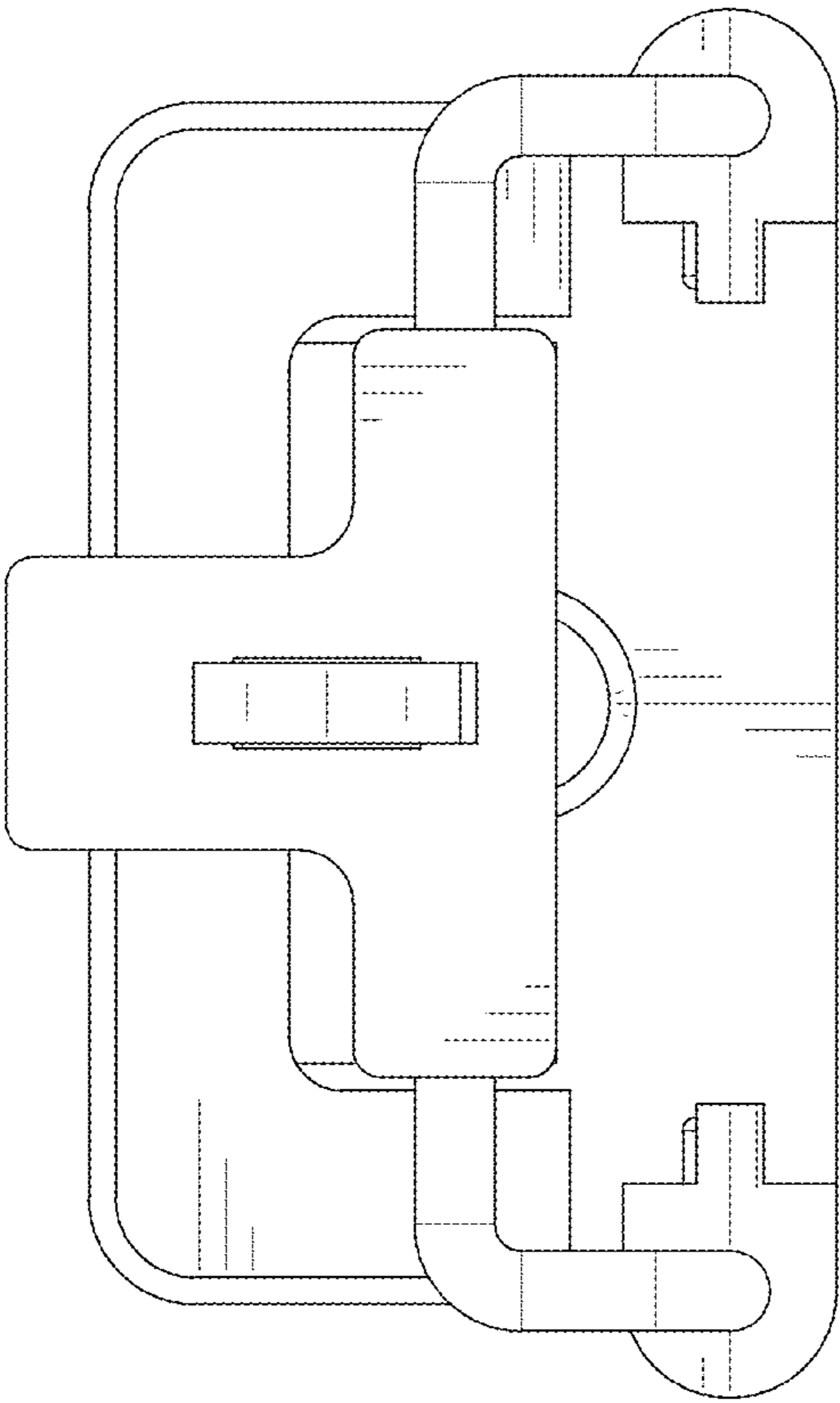


FIG. 3

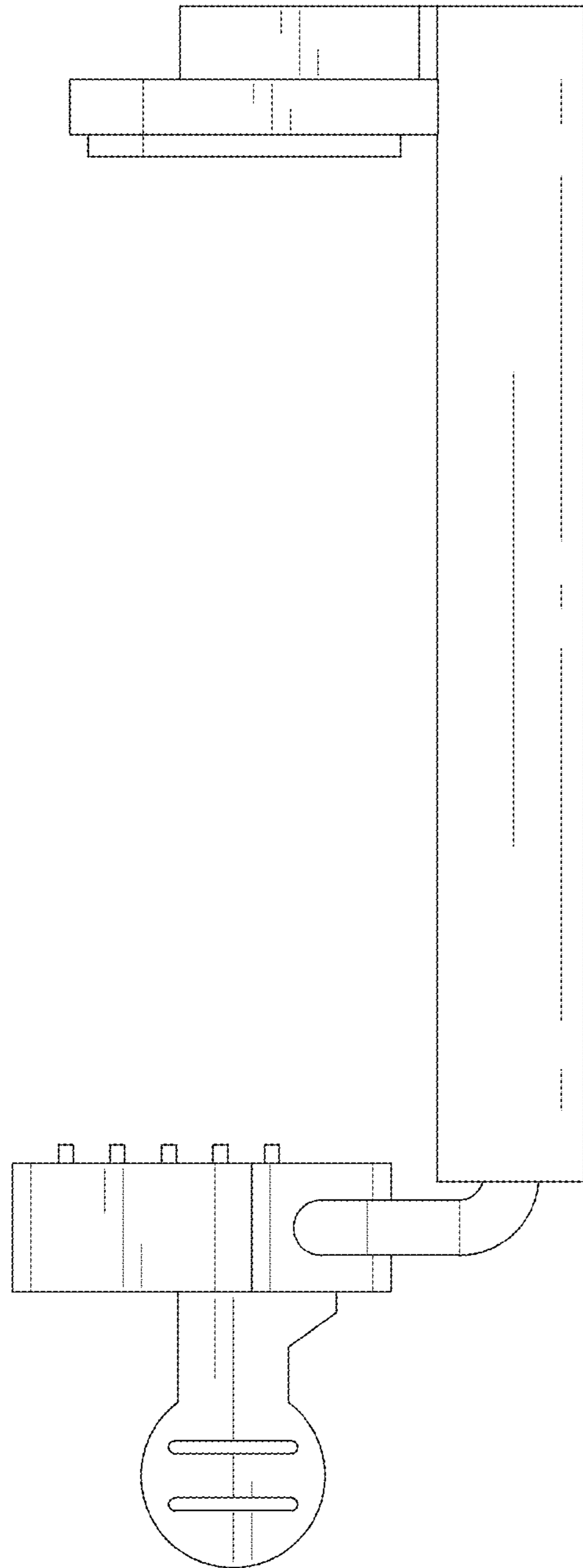


FIG. 4

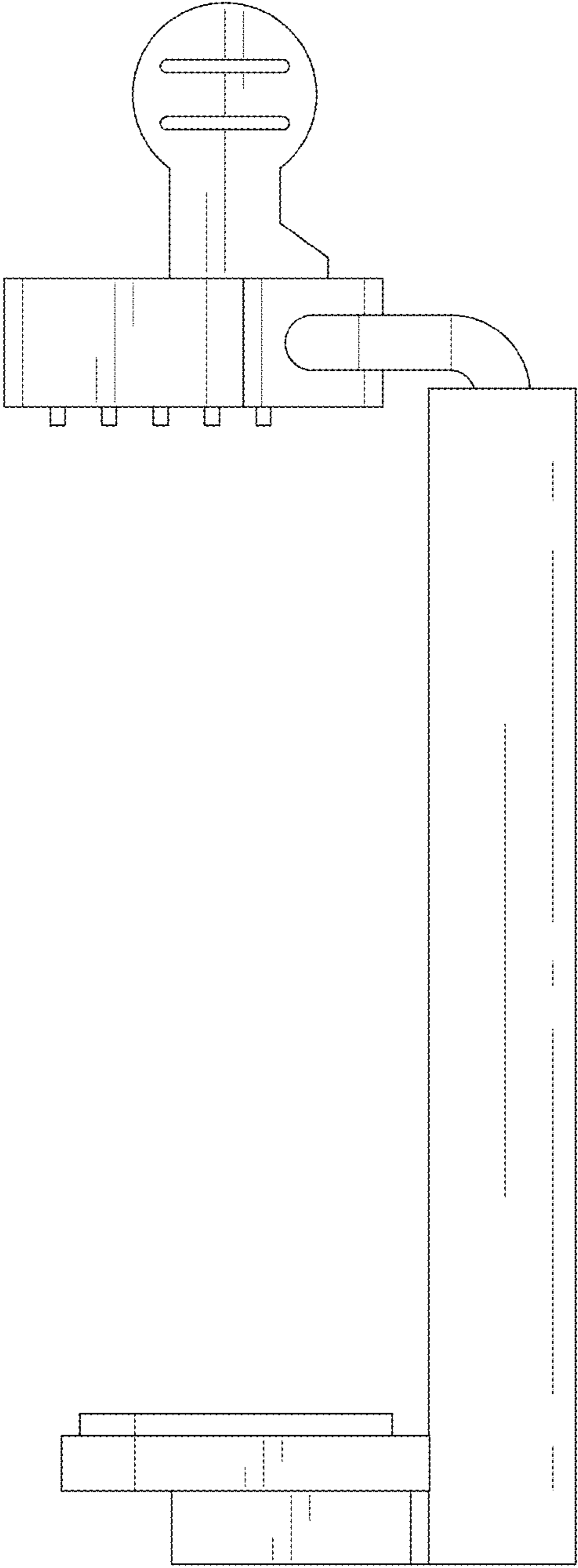


FIG. 5

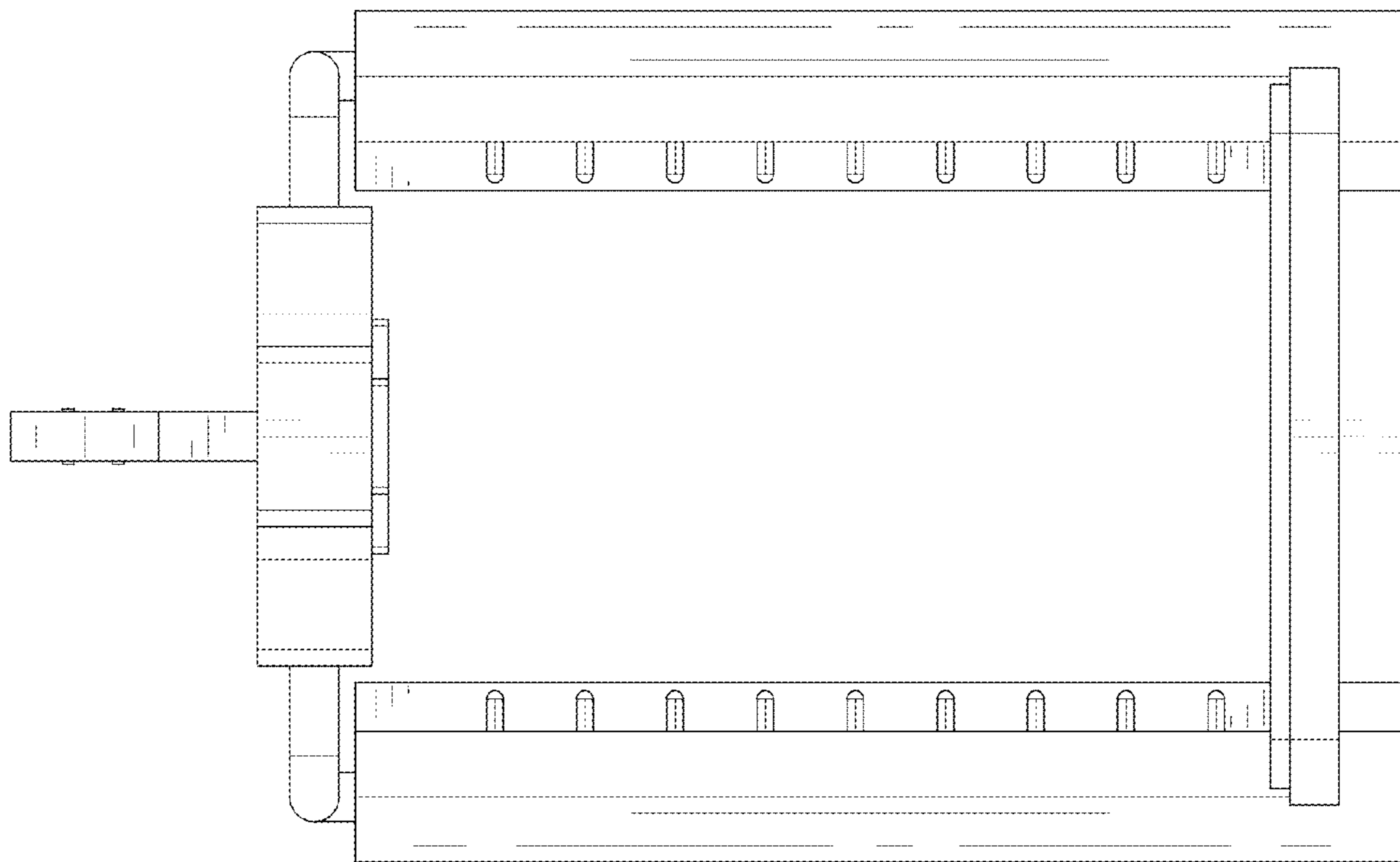


FIG.6

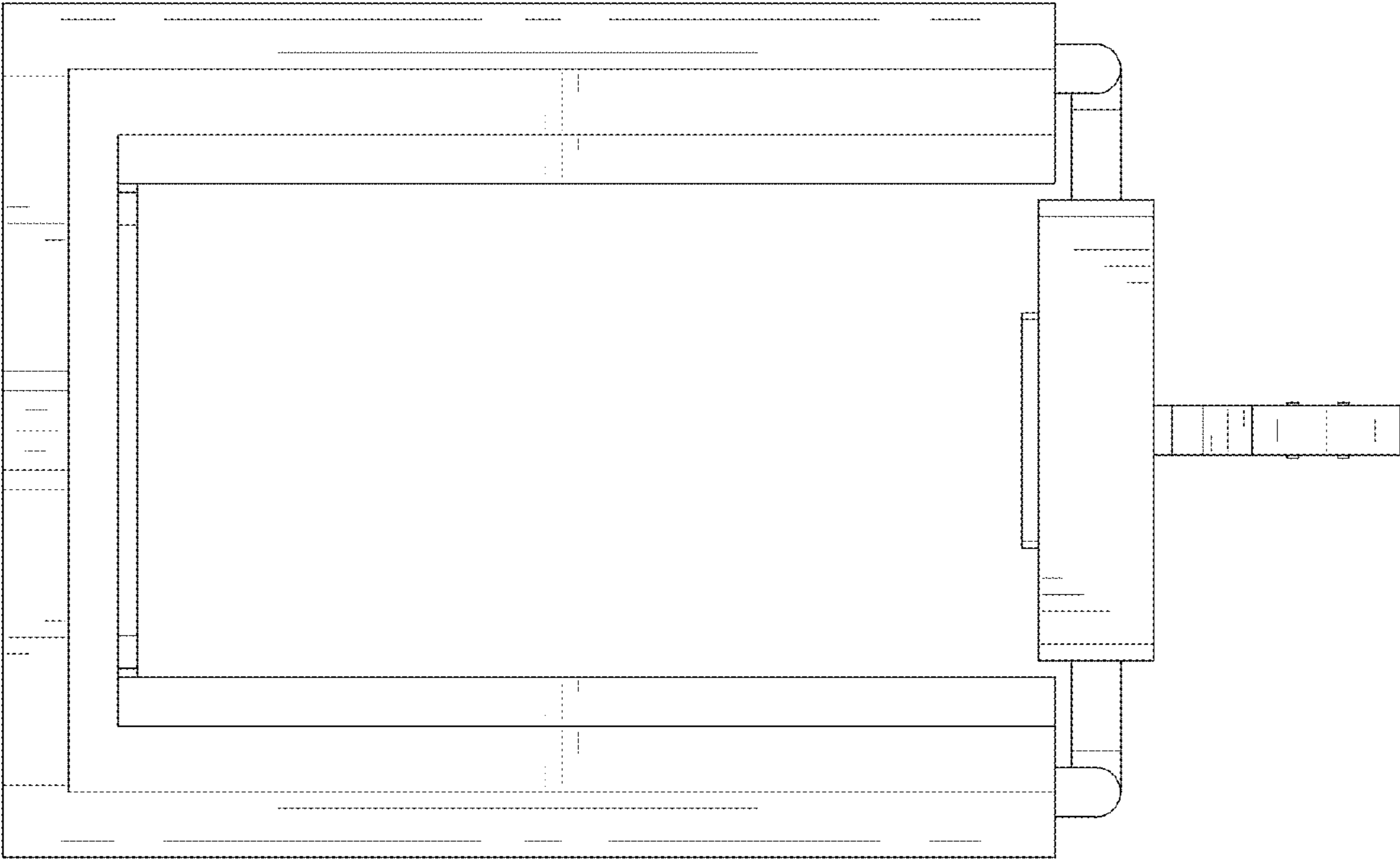


FIG.7