



US00D903651S

(12) **United States Design Patent** (10) **Patent No.:** **US D903,651 S**
Prince (45) **Date of Patent:** **** Dec. 1, 2020**

(54) **CELL PHONE HOLDER**

(71) Applicant: **Michael Paul Prince**, Tobyhanna, PA (US)

(72) Inventor: **Michael Paul Prince**, Tobyhanna, PA (US)

(**) Term: **15 Years**

(21) Appl. No.: **29/644,629**

(22) Filed: **Apr. 19, 2018**

(51) **LOC (12) Cl.** **14-99**

(52) **U.S. Cl.**
USPC **D14/253; D3/218**

(58) **Field of Classification Search**
USPC D14/250-254, 224, 224.1, 238.1, 434, D14/447, 451, 452, 483; D12/400, D12/415-418, 420, 426.1, 114, 223; D16/242, 245; D10/74; D3/218, 215; D13/107, 108

CPC B60R 11/00; B60R 11/02; B60R 11/0241; B60R 11/0252; B60R 2011/0003; B60R 2011/0005; B60R 2011/0008; H04M 1/04; H04B 1/3877; A45F 2200/0516; A45F 2200/0525; A45F 5/00; H05K 5/0204; F16M 13/02; F16M 13/022; F16M 11/04; F16M 11/041; F16M 11/14; F16M 11/22; F16B 2/12; H01F 7/0252; G03B 17/561

See application file for complete search history.

(56) **References Cited**

U.S. PATENT DOCUMENTS

607,496 A * 7/1898 Watson A47B 23/002 248/444
D427,765 S * 7/2000 Porter D12/406
D539,806 S * 4/2007 Yu D14/447

(Continued)

FOREIGN PATENT DOCUMENTS

KR 300900367.0000 * 3/2017

OTHER PUBLICATIONS

YoyoBall8 Flexible Long Arms Stand Clip Holder,Hanging on Neck Universal Mobile Phone Stand, Amazon online, no post date, URL: <https://www.amazon.com/Flexible-Hanging-Universal-Loungers-Bracket/dp/B078S3FNNH/> , retrieved Oct. 9, 2019.*

Primary Examiner — Jeffrey D Asch

Assistant Examiner — Rebekah A Caruso

(74) *Attorney, Agent, or Firm* — Nancy J. Flint, Attorney at Law, P.A.; Nancy J. Flint, Esq.

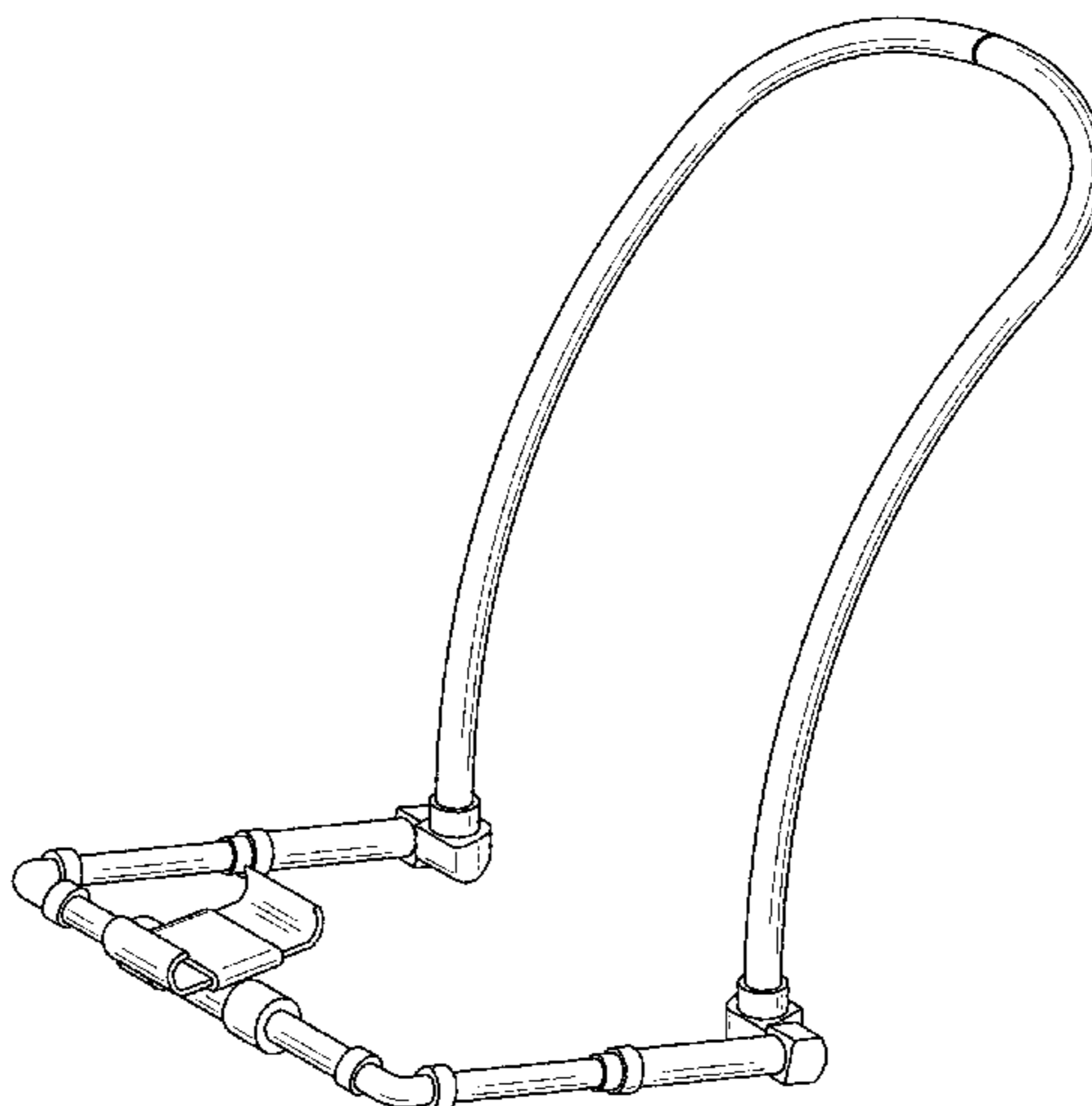
(57) **CLAIM**

The ornamental design for a cell phone holder, as shown and described.

DESCRIPTION

FIG. 1 is a front perspective view of a cell phone holder showing my new design;
FIG. 2 is a left side view of the cell phone holder in its extended and first rotated position;
FIG. 3 is a front view of the cell phone holder in its extended and first rotated position;
FIG. 4 is a rear view of the cell phone holder in its extended and first rotated position;
FIG. 5 is a top view of the cell phone holder in its extended and first rotated position;
FIG. 6 is a bottom view of the cell phone holder in its extended and first rotated position;
FIG. 7 is a left side view of the cell phone holder in its retracted and first rotated position;
FIG. 8 is a left side view of the cell phone holder in its retracted and second rotated position; and,
FIG. 9 is a perspective view of the cell phone holder in its extended and first rotated position as used by a user to hold a cell phone.
Right side views of the cell phone holder not shown are mirror images of left side views. The broken lines depict environmental structure that form no part of the claimed design.

1 Claim, 8 Drawing Sheets



(56)

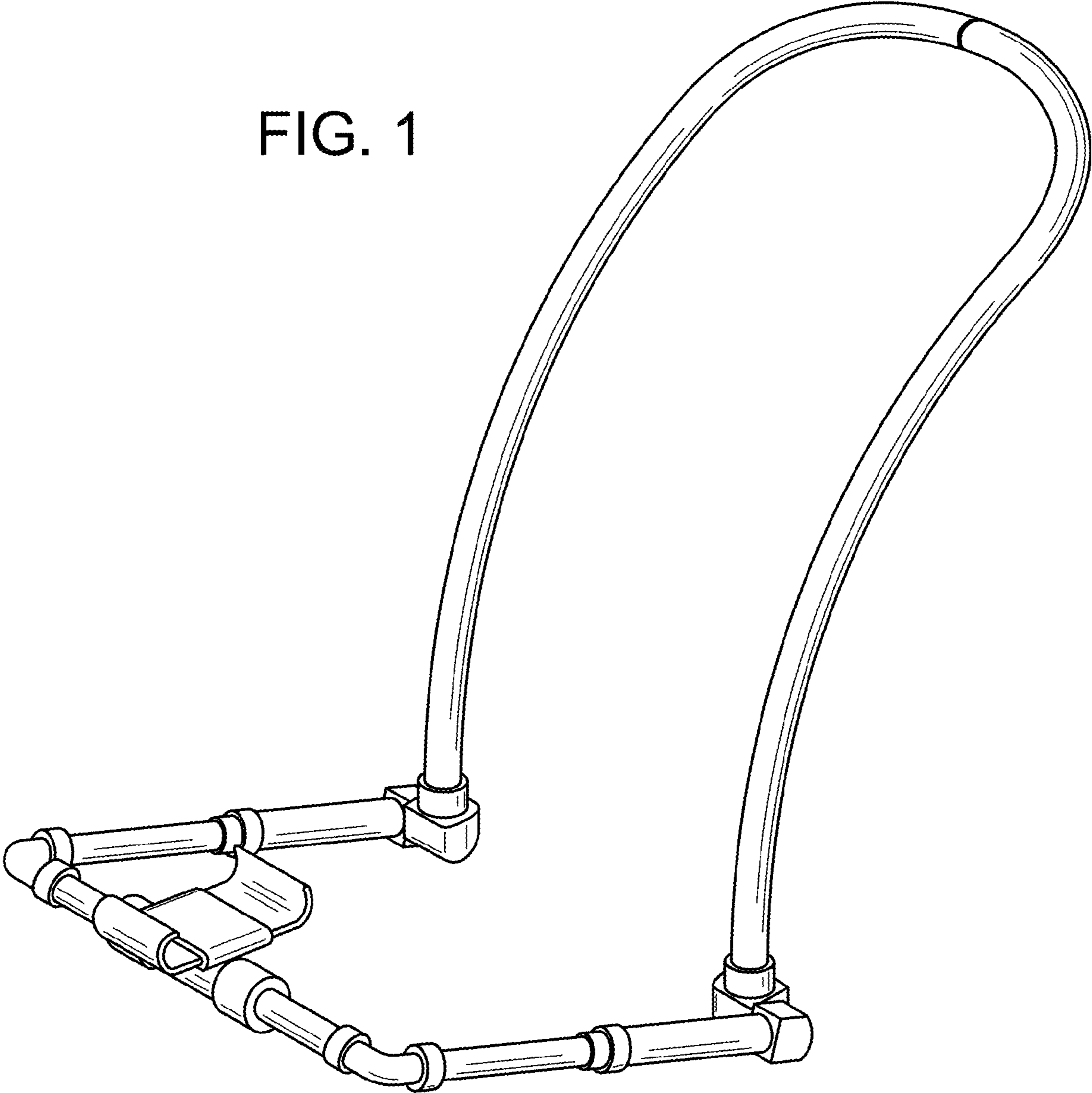
References Cited

U.S. PATENT DOCUMENTS

7,681,855 B1 * 3/2010 Cashman A45F 5/00
224/201
D620,012 S * 7/2010 Chen D14/451
D677,262 S * 3/2013 Lewis D14/447
D679,280 S * 4/2013 Lewis D14/447
D707,443 S * 6/2014 Dailey D3/218
D709,073 S * 7/2014 Inman D14/447
8,881,961 B1 * 11/2014 Cibirka A45F 5/00
2/268
8,941,777 B1 * 1/2015 Ratner G03B 37/04
348/376
9,004,330 B2 * 4/2015 White A45F 5/00
224/256
D751,370 S * 3/2016 McClees D12/416
D799,309 S * 10/2017 Darby D8/373
D822,380 S * 7/2018 McBrayer D3/218
2007/0031143 A1 * 2/2007 Riccardi F16M 13/04
396/420
2009/0272779 A1 * 11/2009 Vu A45F 5/00
224/677
2011/0297711 A1 * 12/2011 Yu A45F 5/00
224/272
2012/0241581 A1 * 9/2012 Chung A47B 23/042
248/346.06
2017/0251793 A1 * 9/2017 Barratt F16M 11/041
2018/0116383 A1 * 5/2018 McGahey H04M 1/05

* cited by examiner

FIG. 1



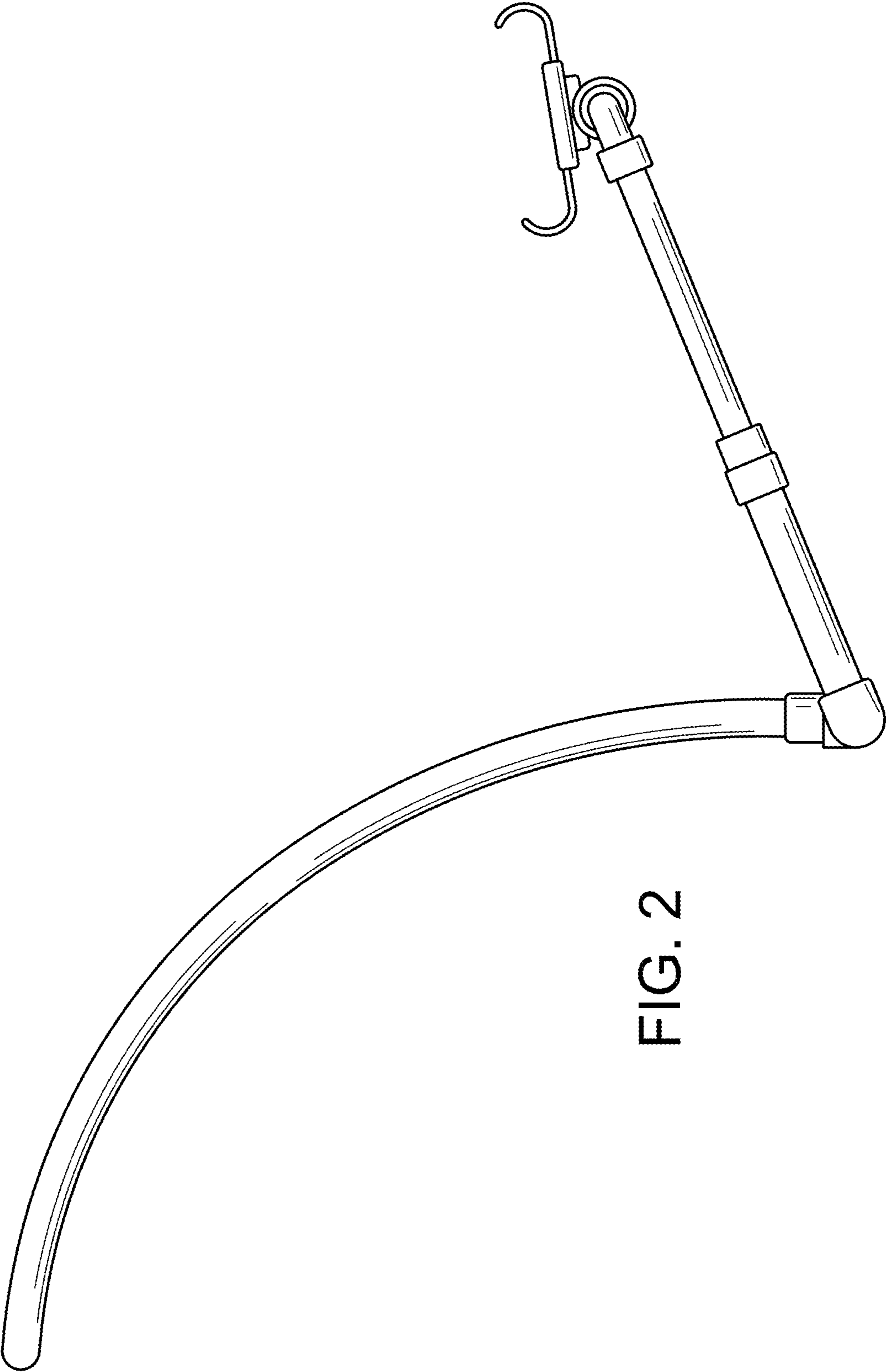


FIG. 2

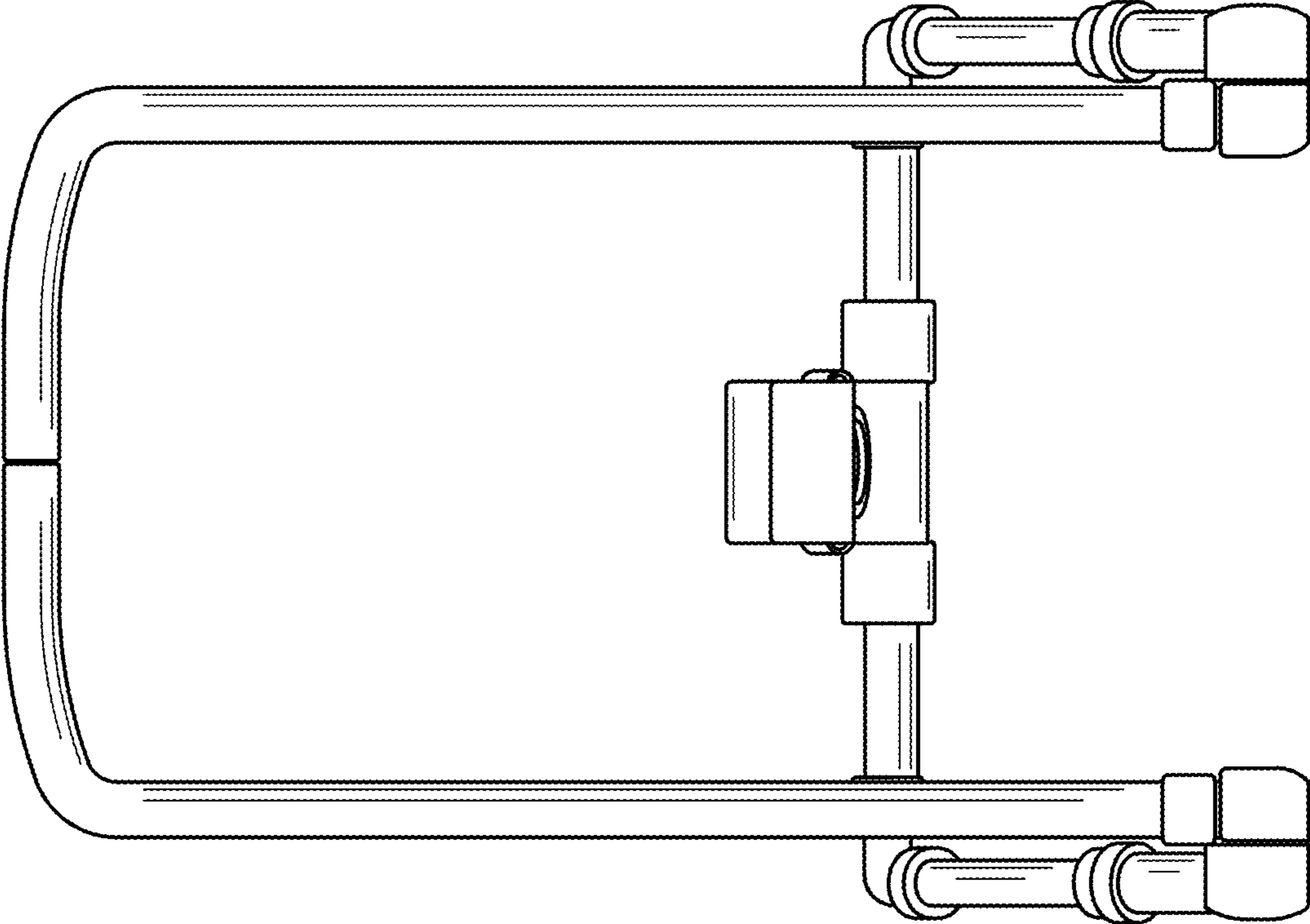


FIG. 4

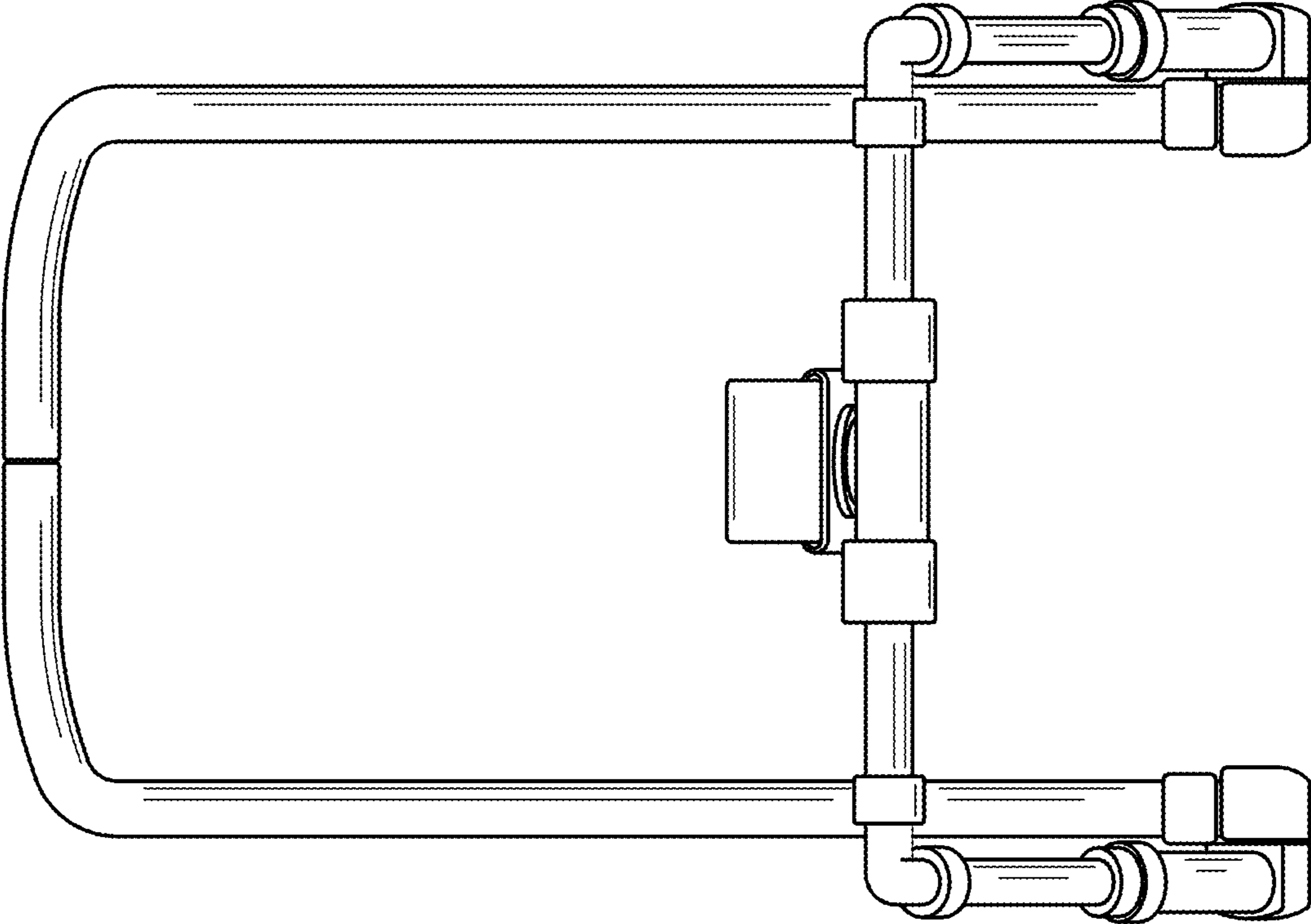


FIG. 3

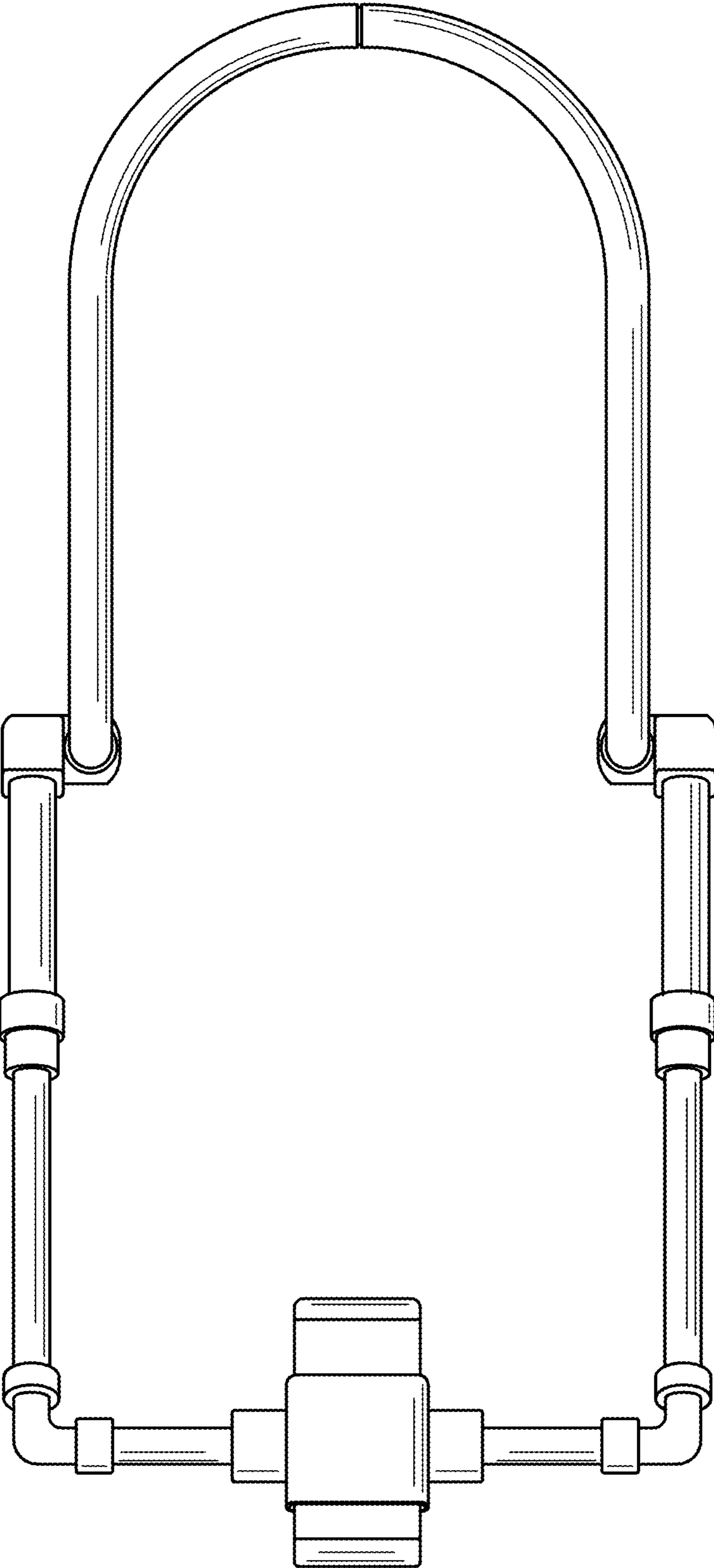


FIG. 5

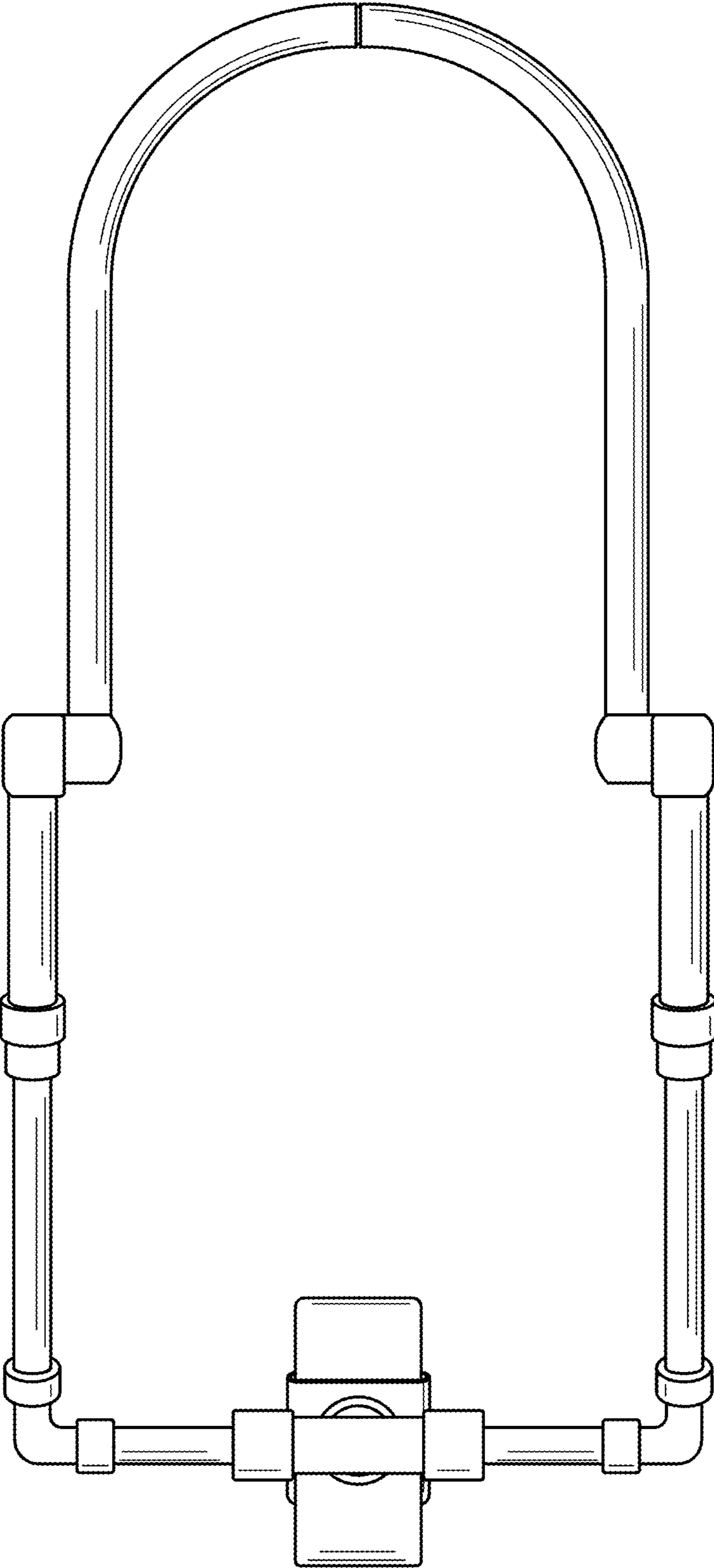


FIG. 6

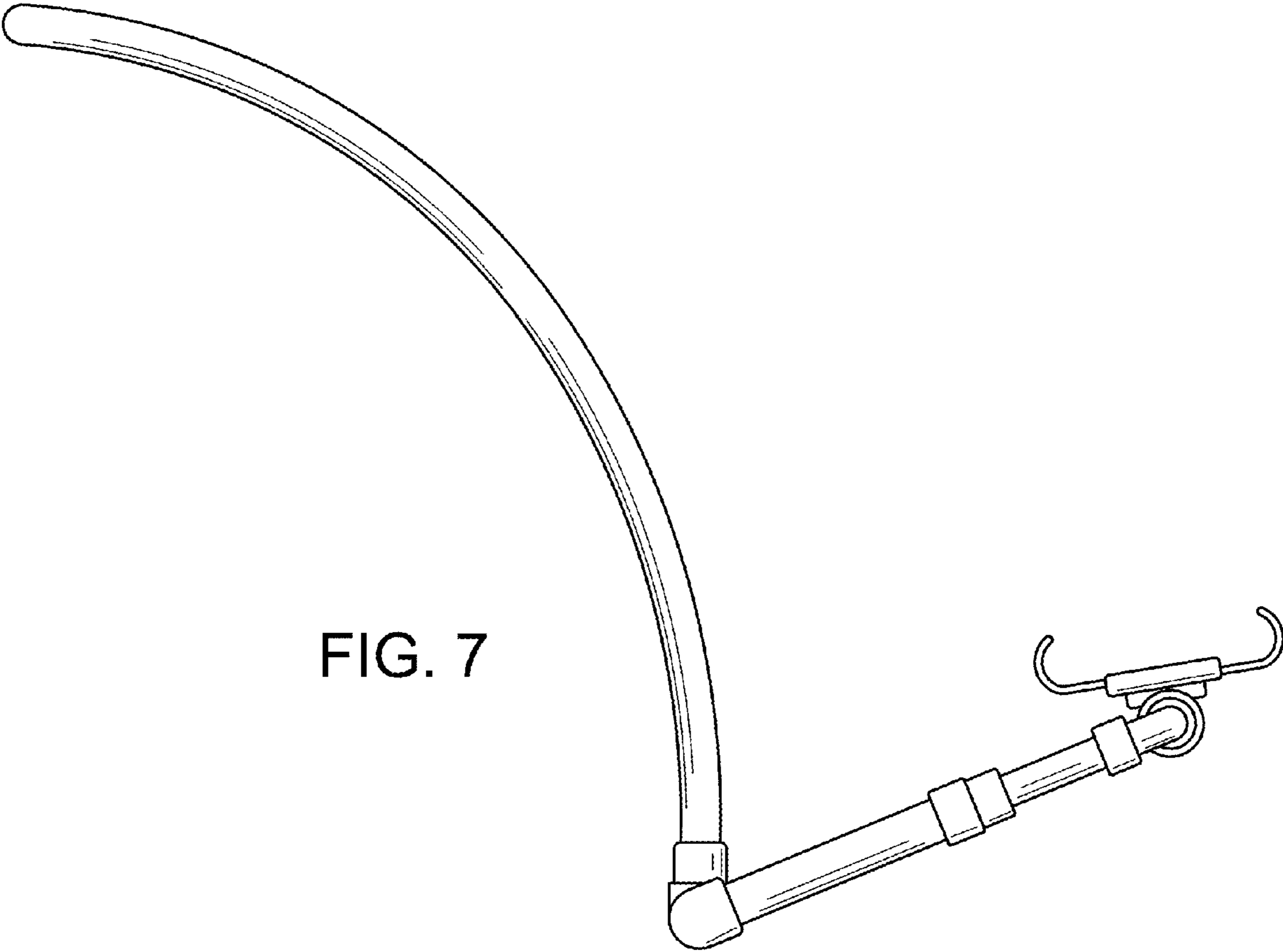


FIG. 7

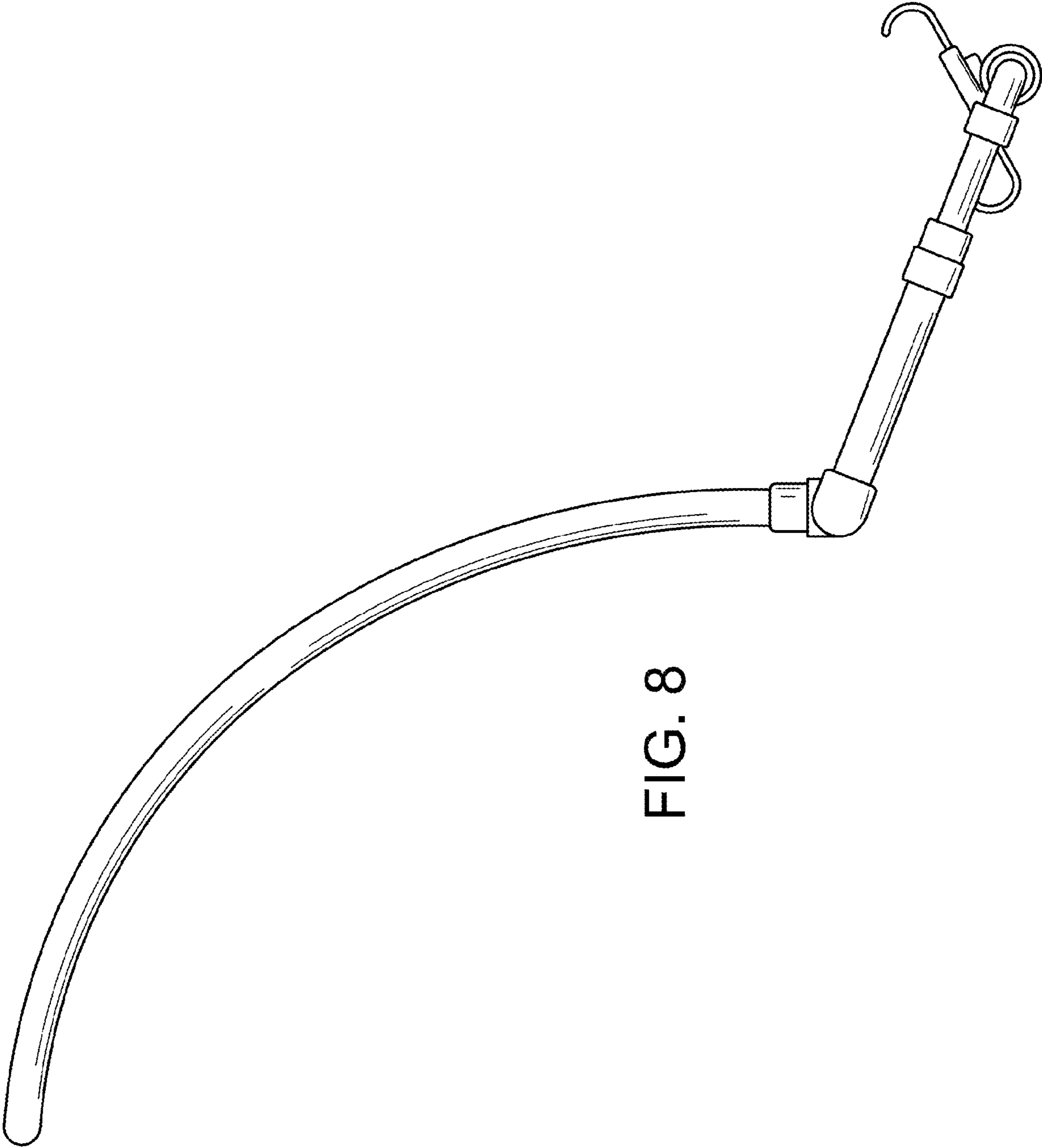


FIG. 8

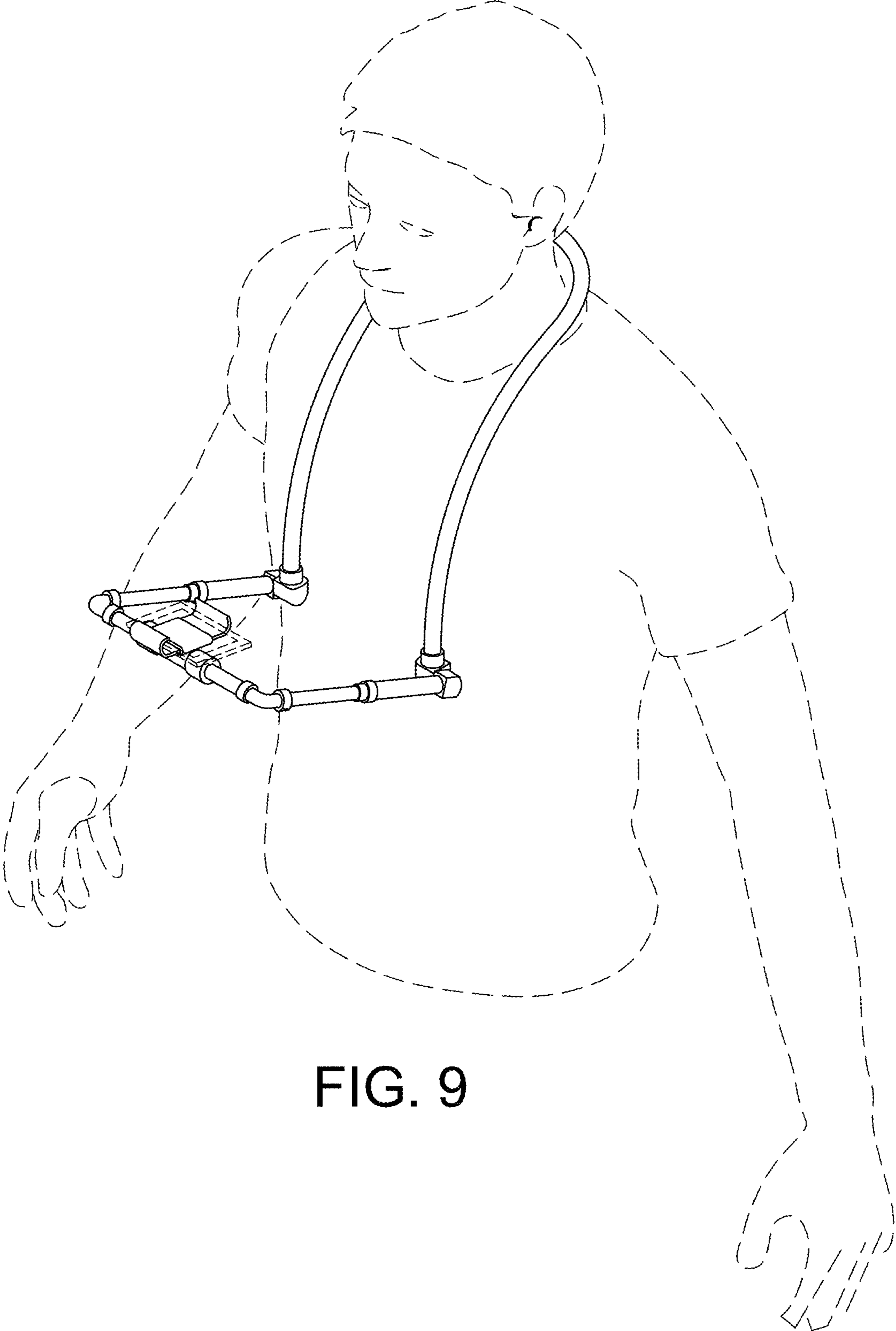


FIG. 9