



US00D903650S

(12) **United States Design Patent**  
**Huang**

(10) **Patent No.:** **US D903,650 S**

(45) **Date of Patent:** **\*\* Dec. 1, 2020**

(54) **PHONE CASE**

(71) Applicant: **Shuqiang Huang**, Qinzhou (CN)

(72) Inventor: **Shuqiang Huang**, Qinzhou (CN)

(\*\*) Term: **15 Years**

(21) Appl. No.: **29/736,618**

(22) Filed: **Jun. 2, 2020**

(51) **LOC (12) Cl.** ..... **14-03**

(52) **U.S. Cl.**  
USPC ..... **D14/250**

(58) **Field of Classification Search**  
USPC ..... D14/203.3–203.7, 439, 251–253, 447,  
D14/217, 240, 238.1, 440, 250, 248;  
D13/107–108, 103, 119; D3/201, 218,  
D3/247, 249, 269, 273, 301, 303  
CPC ..... H04B 1/3888; H04M 1/0283;  
H04M 1/0202; A45C 1/06; A45C 11/00;  
A45C 13/02; A45C 2011/002; A45F  
2005/026; A45F 2200/0525; A45F  
2200/0516

See application file for complete search history.

(56) **References Cited**

**U.S. PATENT DOCUMENTS**

6,786,372	B2 *	9/2004	Enkerlin	.....	A45F 5/02 224/196
D638,006	S *	5/2011	Chang	.....	D14/250
D660,305	S *	5/2012	Ho	.....	D14/447
D691,124	S *	10/2013	Yang	.....	D14/250
D693,350	S *	11/2013	Mish	.....	D14/440
D694,742	S *	12/2013	Pan	.....	D14/250
D713,834	S *	9/2014	Almstrom	.....	D14/250
D721,068	S *	1/2015	Melanson	.....	D14/250
D747,321	S *	1/2016	London	.....	D14/440
9,288,295	B2 *	3/2016	Ivanovski	.....	H04B 1/3888
D765,662	S *	9/2016	Kang	.....	D14/439
D775,619	S *	1/2017	Tien	.....	D14/250
D791,759	S *	7/2017	Lin	.....	D14/250

D803,222	S *	11/2017	Cheng	.....	D14/440
D840,992	S *	2/2019	Kim	.....	D14/250
D845,292	S *	4/2019	Fitzgerald	.....	D14/250
D850,455	S *	6/2019	Cheng	.....	D14/440
D861,662	S *	10/2019	Ahn	.....	D14/250
D863,286	S *	10/2019	Hong	.....	D14/250
D866,545	S *	11/2019	Loh et al.	.....	D14/250
D867,353	S *	11/2019	Kim	.....	D14/250
10,581,480	B1 *	3/2020	Kim	.....	H04M 1/04
D880,469	S *	4/2020	Lee	.....	D14/250
D881,865	S *	4/2020	Yun	.....	D14/250

(Continued)

*Primary Examiner* — Carla J Wright

(74) *Attorney, Agent, or Firm* — HYIP

(57) **CLAIM**

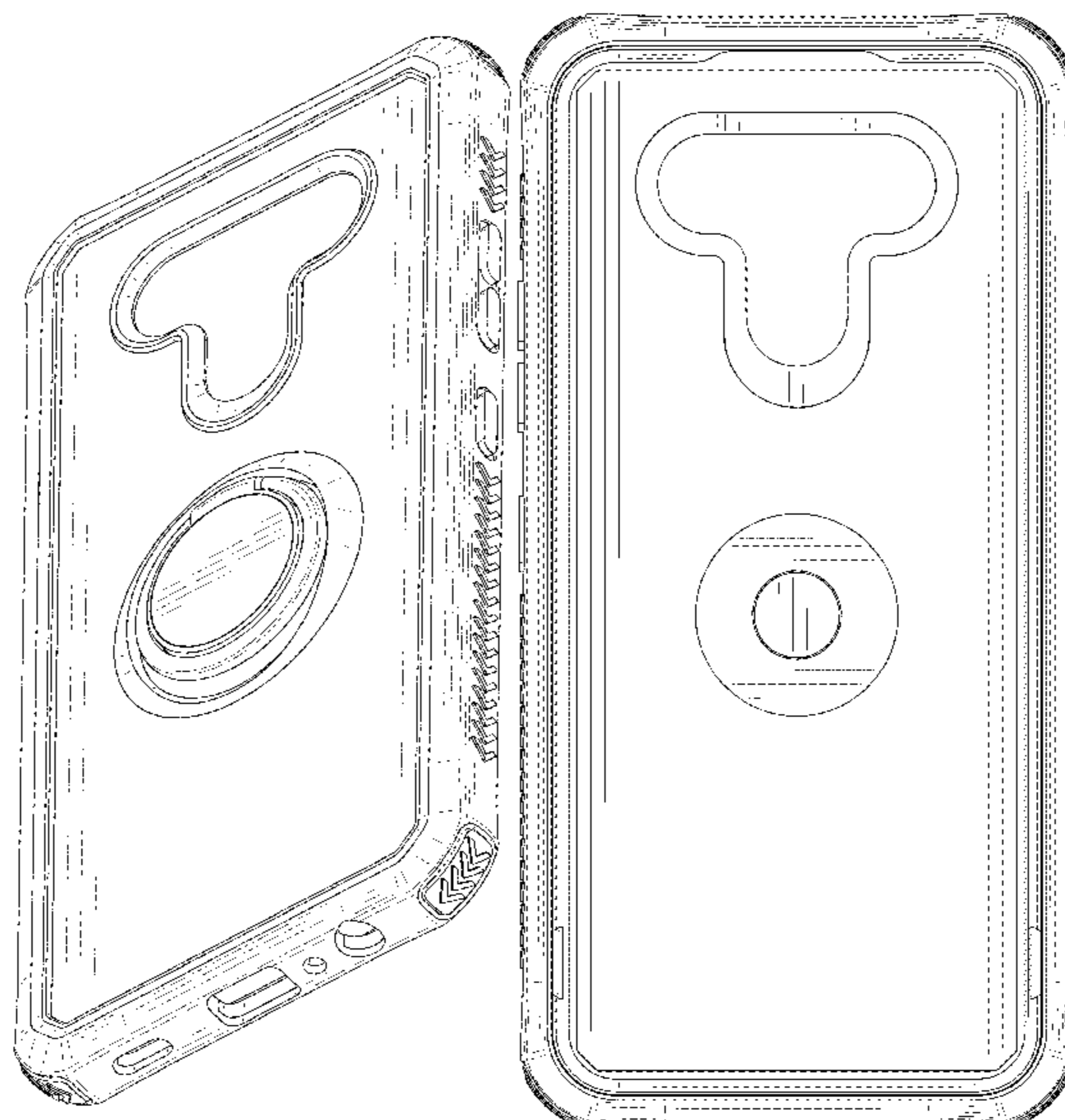
The ornamental design for a phone case, as shown and described.

**DESCRIPTION**

FIG. 1 is a front perspective view of a phone case showing my new design;  
FIG. 2 is a back perspective view thereof;  
FIG. 3 is a front view thereof;  
FIG. 4 is a back view thereof;  
FIG. 5 is a left side view thereof;  
FIG. 6 is a right side view thereof;  
FIG. 7 is a top view thereof;  
FIG. 8 is a bottom view thereof; and,  
FIG. 9 is an exploded front perspective view thereof showing the components of the case separated for clarity of disclosure.

For clarity of disclosure, the components of the phone case are shown separated in FIG. 9. Although the phone case in which the claimed design is embodied consists of separable components, the claim is directed to the overall ornamental appearance of the case in its entirety and does not extend to the ornamental appearance of each of the individual components in isolation.

**1 Claim, 9 Drawing Sheets**



(56)

**References Cited**

U.S. PATENT DOCUMENTS

2006/0068833 A1\* 3/2006 Cohn ..... H04M 1/0283  
455/550.1  
2014/0357330 A1\* 12/2014 Lin ..... H04M 1/0283  
455/575.8  
2015/0053583 A1\* 2/2015 McCormick ..... A45C 11/00  
206/521  
2016/0373153 A1\* 12/2016 Robert ..... G06F 3/0416  
2017/0047961 A1\* 2/2017 Gandhi ..... H04B 1/3888

\* cited by examiner

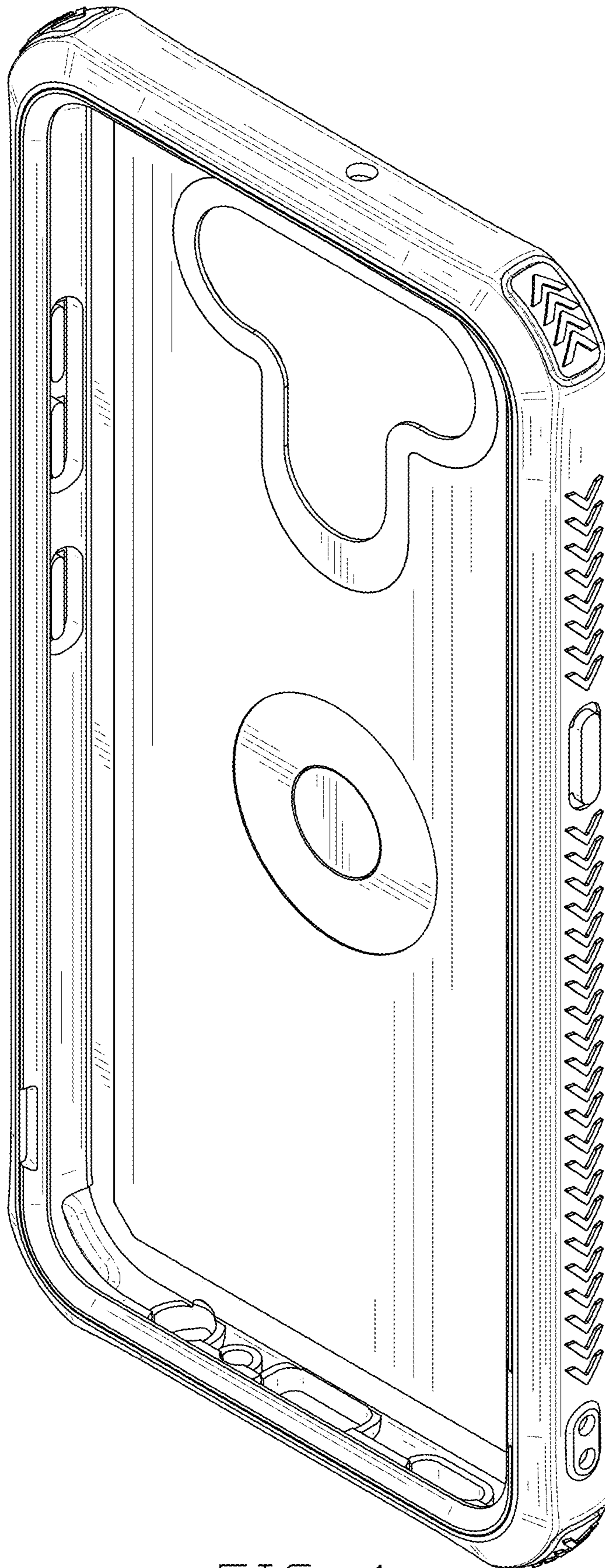


FIG. 1

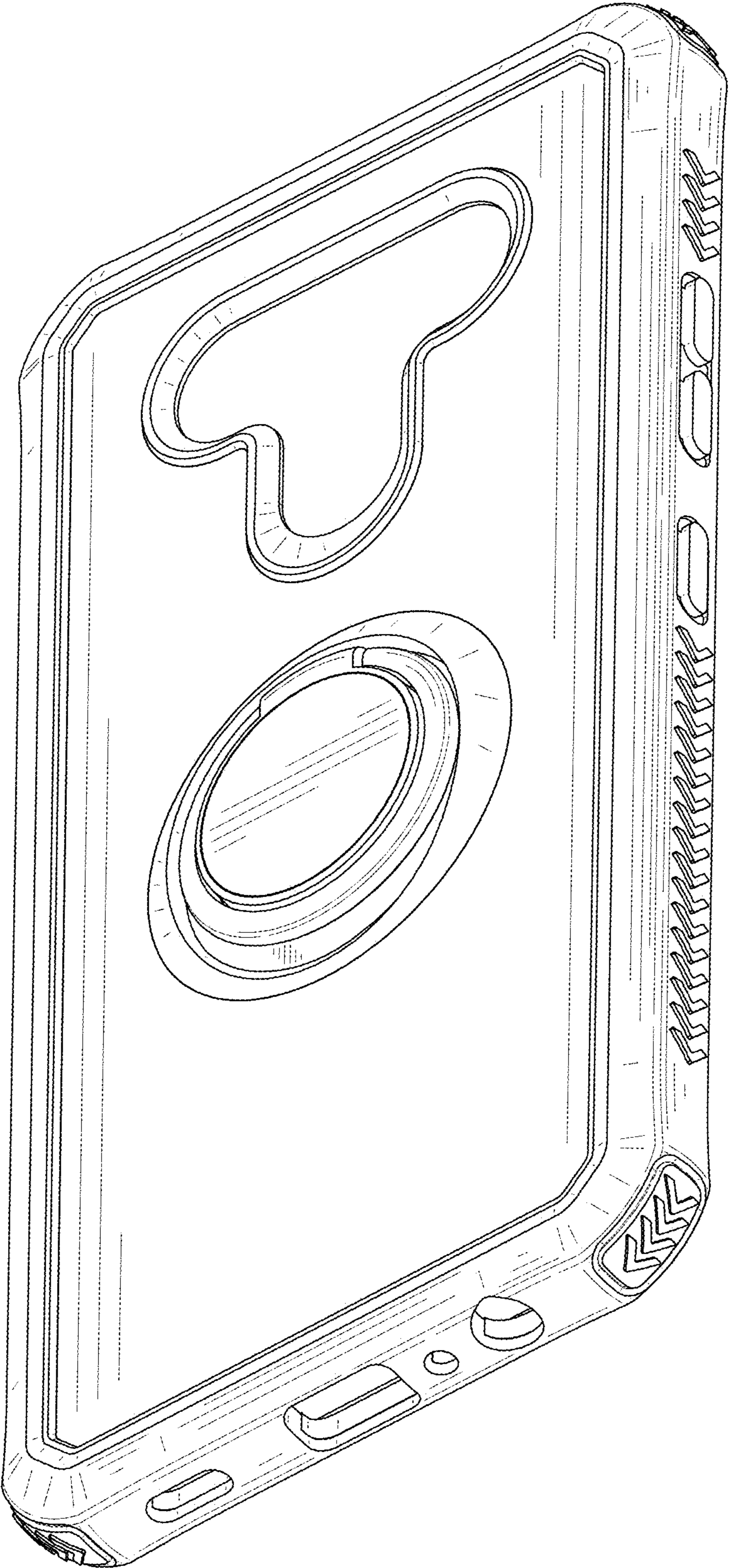


FIG. 2

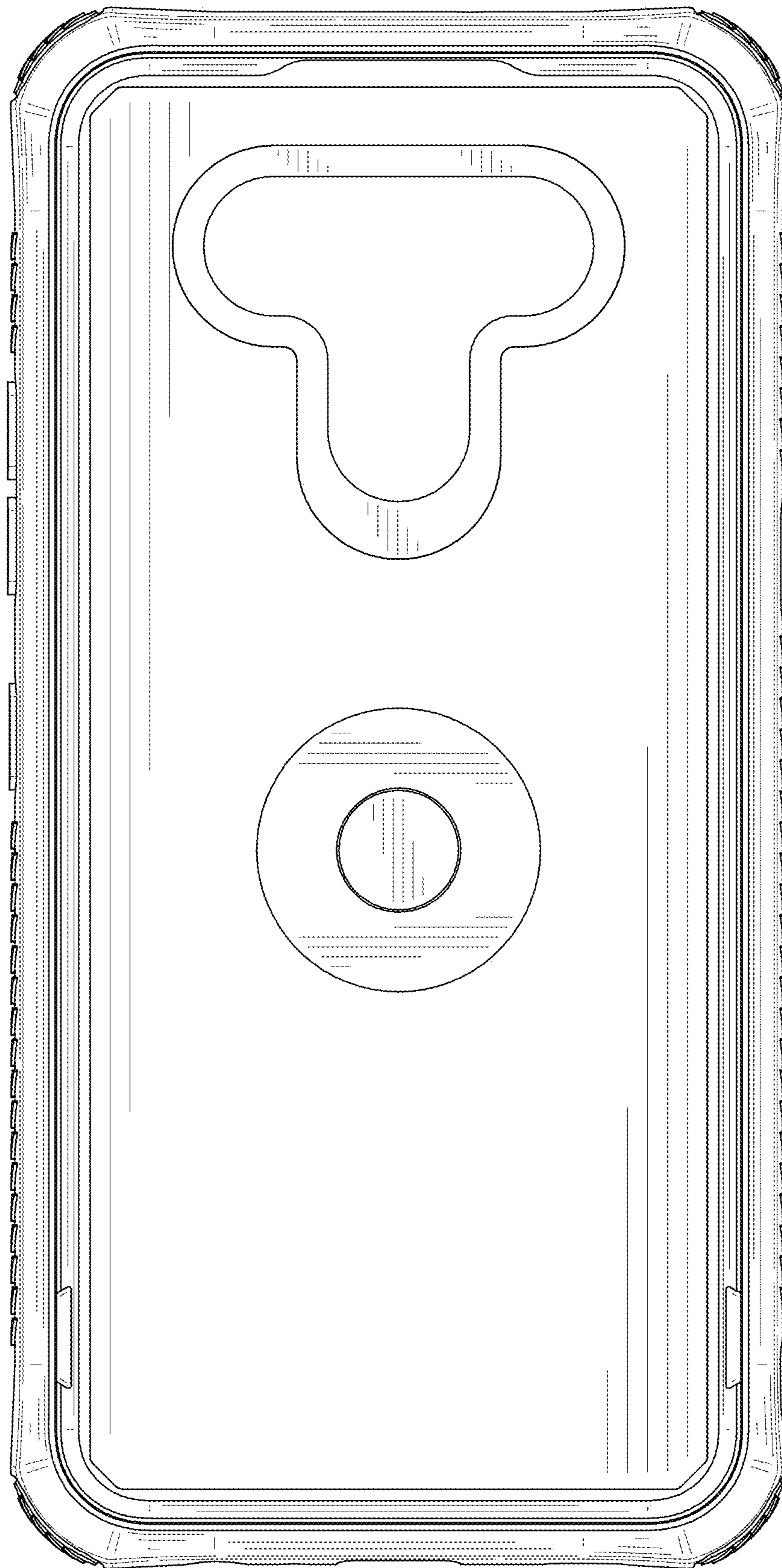


FIG. 3

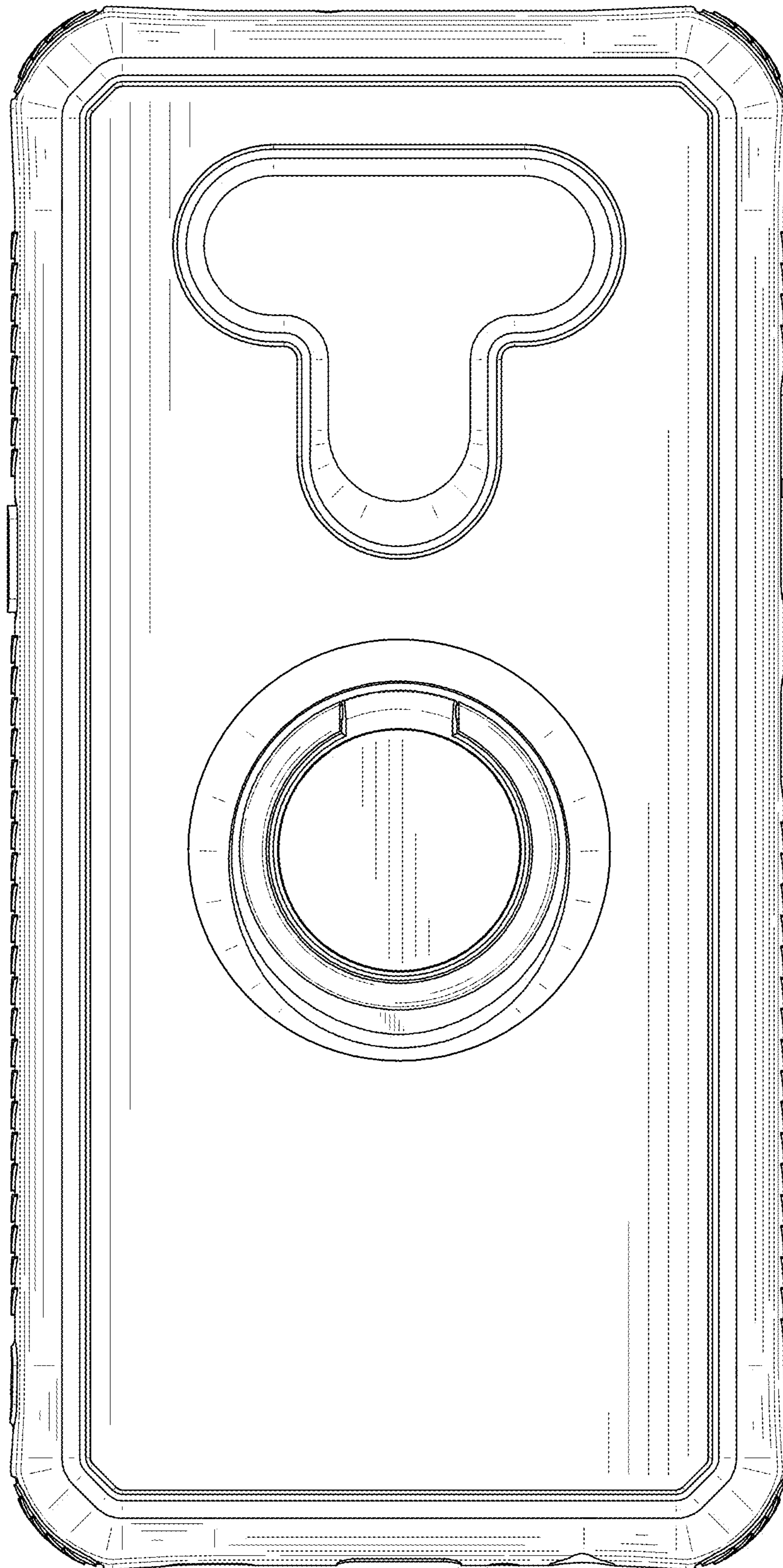


FIG. 4

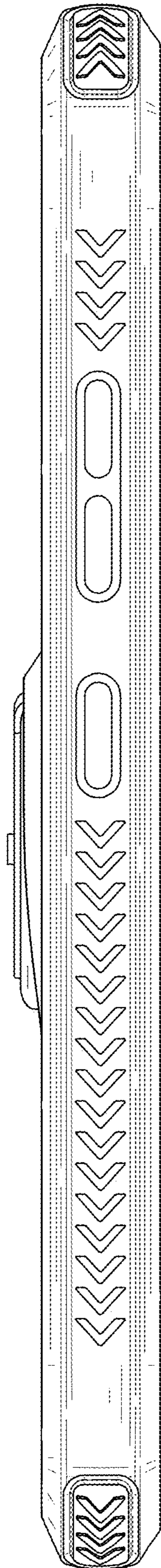


FIG. 5

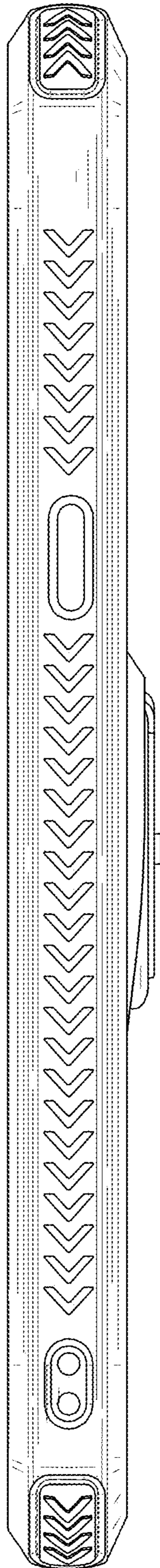


FIG. 6



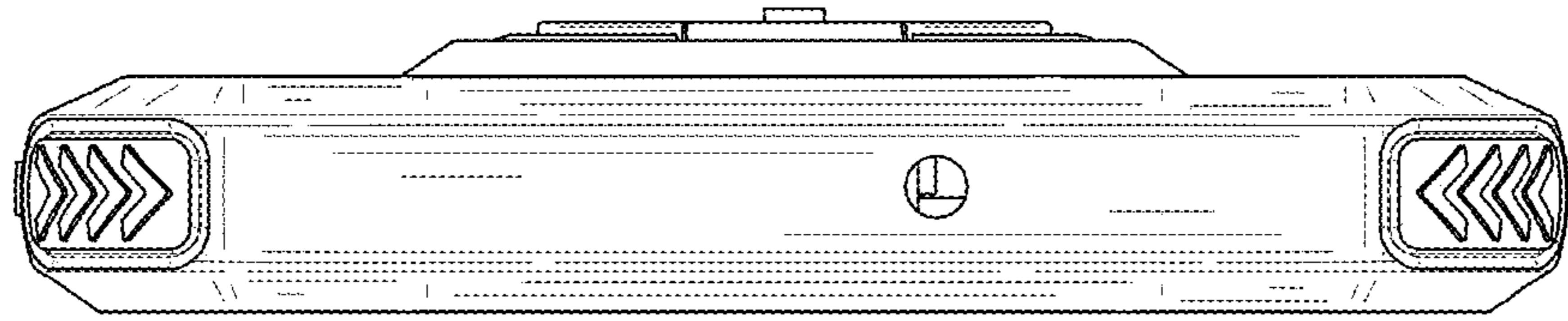


FIG. 7

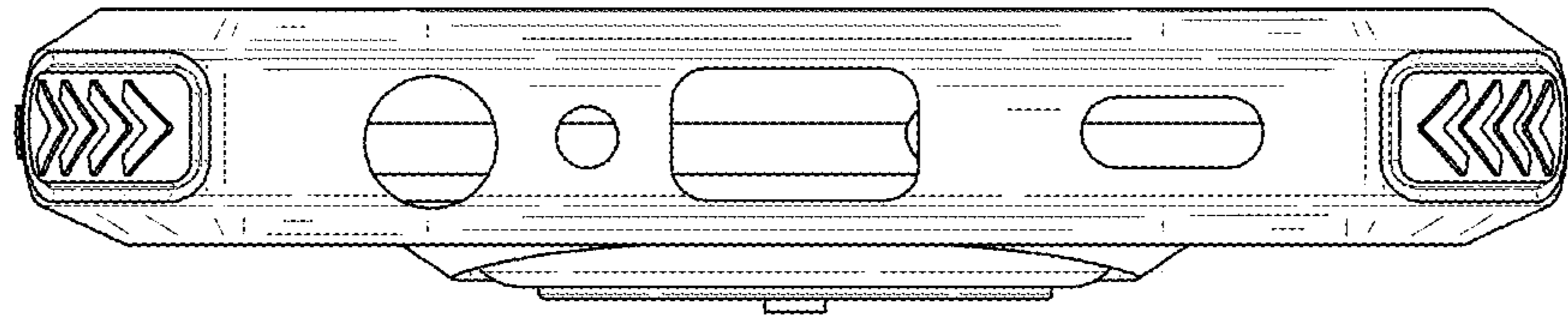


FIG. 8

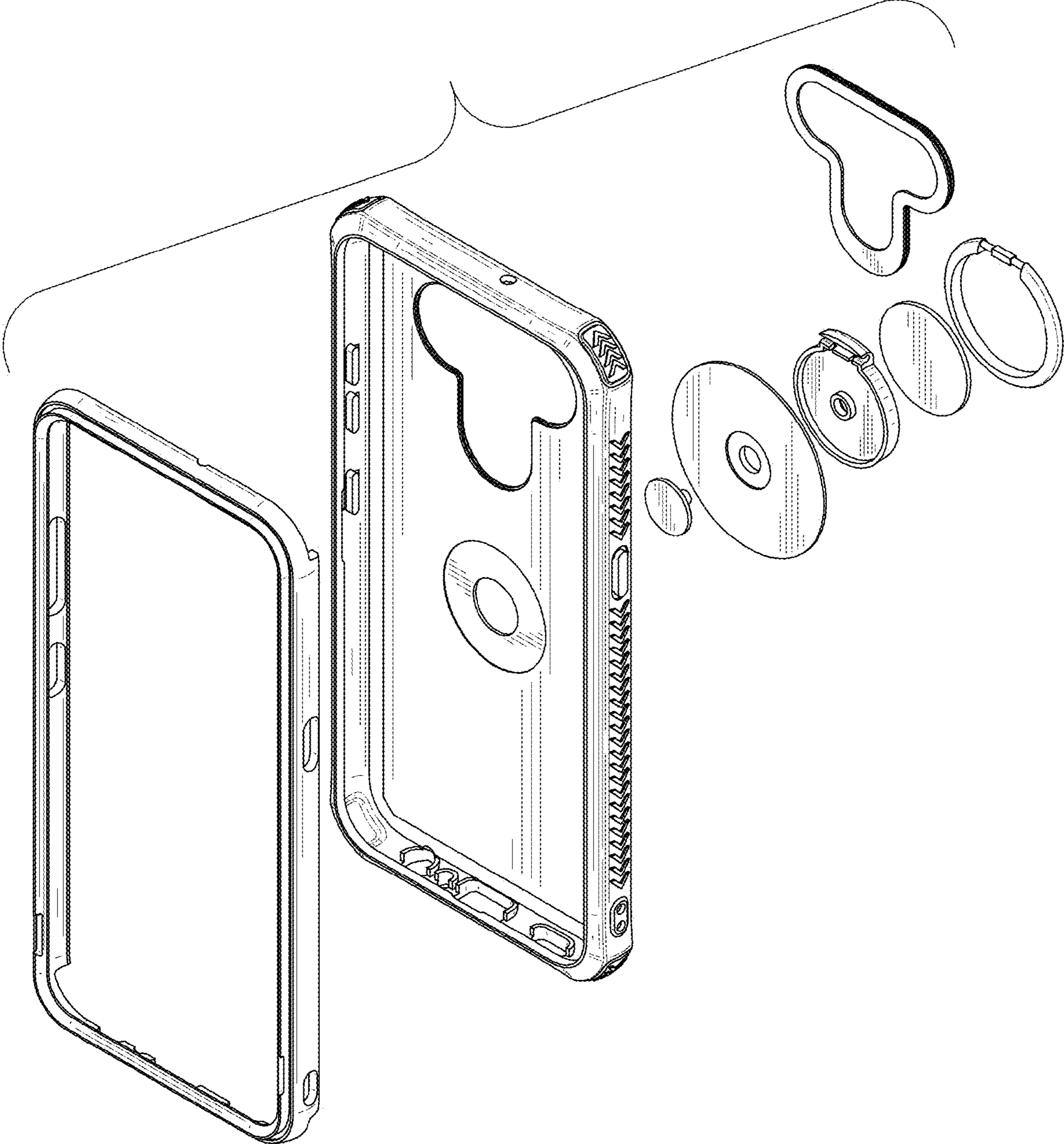


FIG. 9