



US00D903649S

(12) **United States Design Patent** (10) **Patent No.:** **US D903,649 S**
Ahn (45) **Date of Patent:** **** Dec. 1, 2020**

(54) **CASE FOR ELECTRONIC COMMUNICATIONS DEVICE**

(71) Applicant: **SPIGEN KOREA CO., LTD.**, Seoul (KR)

(72) Inventor: **Deok Hyun Ahn**, Seoul (KR)

(73) Assignee: **Spigen Korea CO., LTD.**, Seoul (KR)

(**) Term: **15 Years**

(21) Appl. No.: **29/700,601**

(22) Filed: **Aug. 2, 2019**

(51) **LOC (12) Cl.** **14-03**

(52) **U.S. Cl.**
USPC **D14/250**

(58) **Field of Classification Search**
USPC D3/201, 218, 226, 227, 247, 249, 250,
D3/269, 303; D13/103, 107, 108, 119;
(Continued)

(56) **References Cited**

U.S. PATENT DOCUMENTS

D15,472 S * 10/1884 Mehl D5/47
D43,596 S * 2/1913 Foster D5/58
(Continued)

OTHER PUBLICATIONS

Olixar Flexishield Samsung Galaxy Note 10 Plus Gel Case—Blue, publication date Jun. 20, 2019, [online][site visited Jan. 15, 2020] URL: <https://www.mobilefun.com/olixar-flexishield-samsung-galaxy-note-10-plus-gel-case-blue-74372> (Year: 2019).*

(Continued)

Primary Examiner — Susan E Krakower

Assistant Examiner — L. A. Grabenstetter

(74) *Attorney, Agent, or Firm* — Heedong Chae; Lucem, PC

(57) **CLAIM**

The ornamental design for a case for electronic communications device, as shown and described.

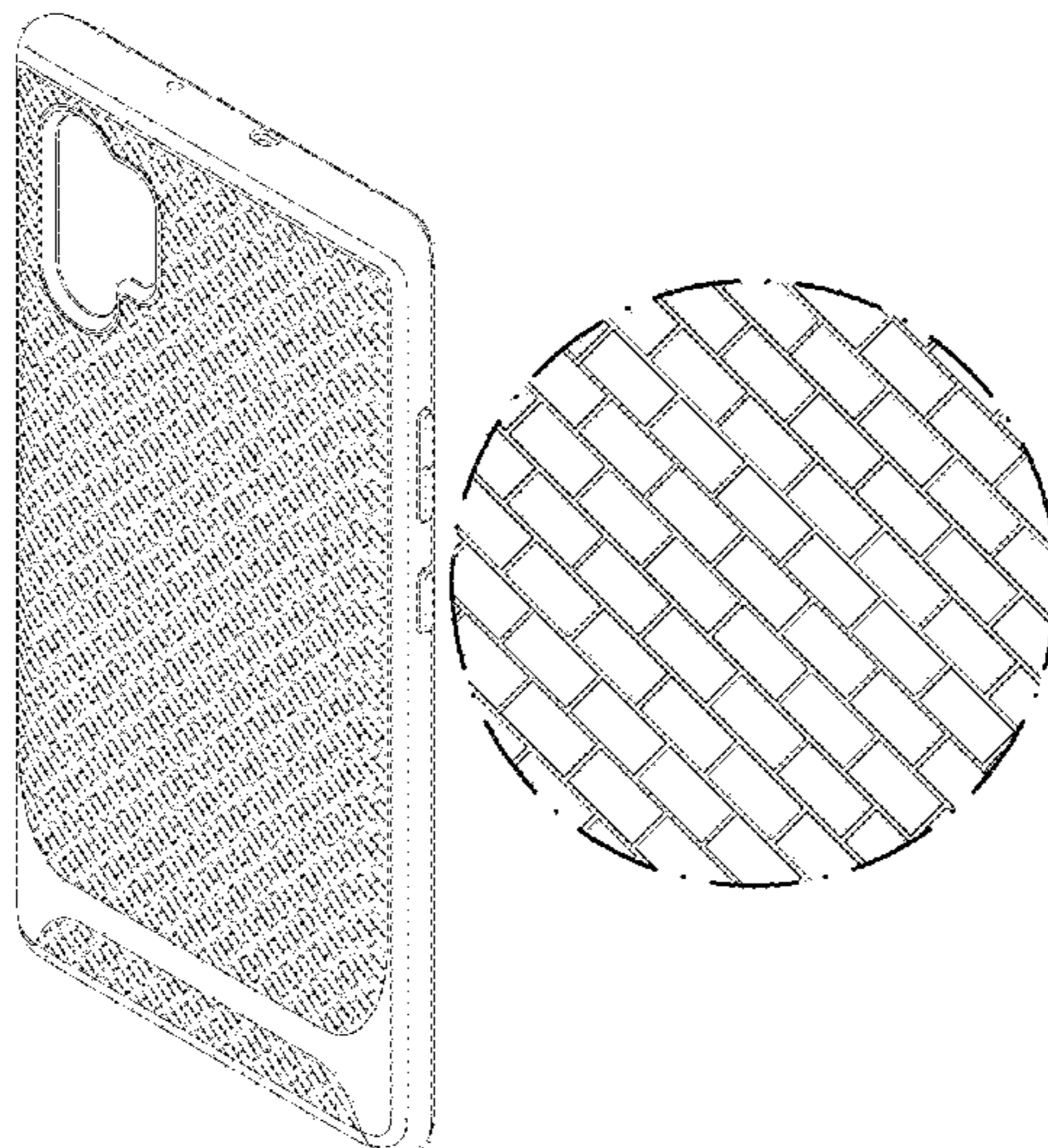
DESCRIPTION

FIG. 1 is a front perspective view of a case for electronic communications device showing my new design; FIG. 2 is a rear perspective view thereof; FIG. 3 is a front elevational view thereof; FIG. 4 is a rear elevational view thereof; FIG. 5 is a left side elevational view thereof; FIG. 6 is a right side elevational view thereof; FIG. 7 is a top plan view thereof; FIG. 8 is a bottom plan view thereof; FIG. 9 is a front perspective view of the inner shell of the case; FIG. 10 is a rear perspective view of the inner shell of the case; FIG. 11 is a front perspective view of the outer frame of the case; FIG. 12 is a rear perspective view of the outer frame of the case; FIG. 13 is an exploded front perspective view showing the components of the case separated for clarity of disclosure; FIG. 14 is an exploded rear perspective view showing the components of the case separated for clarity of disclosure; and, FIG. 15 is an enlarged detail view of the encircled portion of FIG. 4.

Although the case for electronic communications device in which the claimed design is embodied has an inner shell and an outer frame, the claim is directed to the ornamental appearance of the case in its entirety and does not extend to the ornamental appearance of each of the individual components in isolation.

The dash-dot broken line circle in FIG. 4 delineates a portion of a case for electronic communications device that is part of the claimed design and that is shown on an enlarged scale in FIG. 15. The dash-dash broken lines depict portions of the case that form no part of the claimed design.

1 Claim, 15 Drawing Sheets



(58) **Field of Classification Search**

USPC D14/137, 138 R, 138 AA, 138 C, 138 G,
D14/172, 192, 203.3–203.7, 217, 238.1,
D14/247, 248, 250–253, 434, 440, 447,
D14/496
CPC H04B 1/3888; H04M 1/0283; H04M
1/0202; A45C 1/06; A45C 2011/002;
A45C 11/00; A45F 2005/028; A45F
2200/0525

See application file for complete search history.

(56) **References Cited**

U.S. PATENT DOCUMENTS

D188,408 S	*	7/1960	Siegmann	D5/56
D466,702 S	*	12/2002	Carlson	D5/1
D515,809 S	*	2/2006	Perella	D3/232
D574,819 S		8/2008	Andre et al.		
D615,077 S		5/2010	Richardson et al.		
D615,536 S		5/2010	Richardson et al.		
D622,965 S	*	9/2010	Bridges	D5/53
D623,639 S		9/2010	Richardson et al.		
D623,640 S		9/2010	Freeman		
D643,029 S		8/2011	Feng		
D643,837 S		8/2011	Smith		
7,989,085 B2	*	8/2011	Li	H04M 1/0283 174/50
D651,202 S		12/2011	Fathollahi		
D662,929 S		7/2012	Fahrendorff et al.		
D671,930 S		12/2012	Akana et al.		
D673,539 S		1/2013	Magness et al.		
D674,789 S		1/2013	Wen		
D679,695 S		4/2013	Fahrendorff et al.		
D679,698 S		4/2013	Murchison et al.		
D694,224 S		11/2013	Wooseung		
D694,759 S		12/2013	Chang et al.		
D696,238 S		12/2013	Murchison et al.		
D696,240 S		12/2013	Kim et al.		
D706,255 S		6/2014	Akana et al.		
D709,649 S		7/2014	Maraffi		
D714,276 S		9/2014	Hu et al.		
D721,071 S		1/2015	Nelson et al.		
D721,072 S		1/2015	Laffon de Mazieres et al.		
D721,360 S		1/2015	Laffon de Mazieres et al.		
D721,693 S		1/2015	Lee et al.		
D734,747 S		7/2015	Seo et al.		
D737,259 S		8/2015	Choi		
D739,394 S		9/2015	Rayner et al.		
D741,845 S		10/2015	Kim		
D746,805 S		1/2016	Kim		
D756,343 S		5/2016	Wall et al.		
D763,241 S		8/2016	Kim		
D765,627 S		9/2016	Watt		
D765,633 S		9/2016	Northrup et al.		
D765,645 S		9/2016	Kim		
D767,554 S		9/2016	Bertrand et al.		
D770,188 S	*	11/2016	Fang	D5/53
D771,612 S		11/2016	Roberts et al.		
D771,613 S		11/2016	Poon et al.		
D773,445 S		12/2016	Witter et al.		
D776,647 S		1/2017	Kim		
D777,157 S		1/2017	Kim		
D777,159 S		1/2017	Lee et al.		
D779,471 S		2/2017	Tien		
D781,835 S		3/2017	Kim et al.		
D781,836 S		3/2017	Kim et al.		
D781,837 S		3/2017	Kim et al.		
D781,838 S		3/2017	Kim et al.		
D781,839 S		3/2017	Kim et al.		
D781,840 S		3/2017	Kim et al.		
D782,453 S		3/2017	Kim et al.		
D782,454 S		3/2017	Kim et al.		
D782,460 S		3/2017	Bertrand et al.		
D784,309 S		4/2017	Lee et al.		
D786,848 S		5/2017	Park et al.		
D786,849 S		5/2017	Park et al.		
D786,853 S		5/2017	Friedland et al.		

D792,394 S		7/2017	Lee et al.		
D792,876 S	*	7/2017	Kim	D14/250
D795,237 S		8/2017	Jung et al.		
D797,715 S		9/2017	Kim		
D798,286 S		9/2017	Roberts et al.		
D798,853 S		10/2017	Park et al.		
D800,714 S		10/2017	Lee et al.		
D801,322 S		10/2017	Song et al.		
D801,323 S		10/2017	Kim		
D805,064 S		12/2017	Lee et al.		
D805,507 S		12/2017	Jakobuco		
D806,082 S	*	12/2017	Armstrong	D14/440
D807,337 S		1/2018	Kim et al.		
D808,372 S		1/2018	Brown et al.		
D812,618 S		3/2018	Altaras		
D813,854 S		3/2018	Lee et al.		
D816,651 S		5/2018	Chiang et al.		
D816,655 S		5/2018	Dennis et al.		
D834,581 S		11/2018	Li		
D836,095 S		12/2018	Kim et al.		
D840,990 S		2/2019	Kim		
D840,991 S		2/2019	Kim		
D840,992 S		2/2019	Kim		
D843,363 S		3/2019	Yan		
D845,290 S		4/2019	Brubaker et al.		
D847,806 S		5/2019	Kim		
D851,638 S		6/2019	Kim et al.		
D851,639 S	*	6/2019	Kim	D14/250
D852,180 S	*	6/2019	Kim	D14/250
D855,608 S	*	8/2019	Kim	D14/250
D857,683 S	*	8/2019	Kim	D14/250
D863,279 S	*	10/2019	Kim	D14/250

OTHER PUBLICATIONS

Spigen Liquid Air Armor for Samsung Galaxy A8, publication date Jan. 9, 2018, [online][site visited Jan. 23, 2020] URL: <https://www.amazon.com/Spigen-Liquid-Galaxy-Durable-Design/dp/B077MMG17Y> (Year: 2018).*

Spigen Liquid Air Armor Case for Galaxy S9+ Review, publication date Jun. 28, 2018, [online][site visited Jan. 23, 2020] URL: <https://www.gottabemobile.com/spigen-liquid-air-armor-galaxy-s9-case-review/> (Year: 2018).*

Spigen Launches Samsung Galaxy S9 & S9 Plus Cases, publication date Feb. 26, 2018, [online][site visited Jan. 28, 2020] URL: <https://9to5google.com/2018/02/26/best-s9-plus-cases-accessories-spigen/> (Year: 2018).*

Spigen Neo Hybrid Case for Samsung Galaxy S9+ review, publication date Jul. 20, 2018, [online] [site visited Jan. 28, 2020] URL: <https://www.androidcentral.com/spigen-neo-hybrid-case-samsung-galaxy-s9-review> (Year: 2018).*

“Spigen Neo Hybrid Galaxy S9 Case with Flexible Herringbone Pattern Protection and Reinforced Hard Bumper Frame for Samsung Galaxy S9 (2018)—Gunmetal”, <https://www.amazon.com/dp/B078BFJ2YR>, Earliest review date of Mar. 7, 2018, Downloaded on Dec. 18, 2018.

“Spigen Neo Hybrid Galaxy S9 Plus Case with Flexible Herringbone Pattern Protection and Reinforced Hard Bumper Frame for Samsung Galaxy S9 Plus (2018)—Gunmetal”, <https://www.amazon.com/dp/B0789S2LZH>, Earliest review date of Mar. 4, 2018, Downloaded on Dec. 18, 2018.

“Spigen Neo Hybrid Crystal iPhone 7 Plus Case with Flexible Casing and Hard Bumper Frame for Apple iPhone 7 Plus 2016—Champagne Gold”, <https://www.amazon.com/dp/B01GIWHKXI>, Earliest review date of Sep. 8, 2016, Downloaded on Dec. 18, 2018.

“Spigen Neo Hybrid iPhone 7 Case with Flexible Inner Protection and Reinforced Hard Bumper Frame for iPhone 7 2016—Gunmetal”, <https://www.amazon.com/dp/B01GIVXKUG>, Earliest review date of Sep. 8, 2016, Downloaded on Dec. 18, 2018.

“Spigen Neo Hybrid Herringbone Google Pixel 2 Case with Flexible Inner Protection and Reinforced Hard Bumper Frame for Google Pixel 2 (2017)—Gunmetal”, <https://www.amazon.com/dp/B0746Z1KYN>, Earliest review date of Nov. 2, 2017, Downloaded on Dec. 18, 2018.

(56)

References Cited

OTHER PUBLICATIONS

“Spigen Neo Hybrid Crystal iPhone 7 Case with Flexible Inner Casing and Reinforced Hard Bumper Frame for iPhone 7 2016—Rose Gold”, <https://www.amazon.com/dp/B01GIVXVN2>, Earliest review date of Sep. 14, 2016, Downloaded on Dec. 18, 2018.

“Spigen Neo Hybrid iPhone 7 Plus Case with Flexible Inner Protection and Hard Bumper Frame for Apple iPhone 7 Plus (2016)—Gunmetal”, <https://www.amazon.com/dp/B01GIWH6H8>, Earliest review date of Sep. 14, 2016, Downloaded on Dec. 18, 2018.

“Spigen Neo Hybrid Google Pixel XL Case with Flexible Inner Protection and Reinforced Hard Bumper Frame for Google Pixel XL 2016—Satin Silver”, <https://www.amazon.com/dp/B01LZW1LW3>, Earliest review date of Oct. 23, 2016, Downloaded on Dec. 18, 2018.

“Spigen Neo Hybrid Crystal Google Pixel Case with Flexible Inner Casing and Reinforced Hard Bumper Frame for Google Pixel 2016—Gunmetal”, <https://www.amazon.com/dp/B01M03SL8Y>, Earliest review date of Dec. 14, 2016, Downloaded on Dec. 20, 2018.

“Spigen Neo Hybrid Crystal Google Pixel XL Case with Flexible Inner Casing and Reinforced Hard Bumper Frame for Google Pixel XL 2016—Gunmetal”, <https://www.amazon.com/dp/B01LZS6PON>, Earliest review date of Dec. 15, 2016, Downloaded on Dec. 18, 2018.

“Spigen Neo Hybrid Huawei P10 Lite Case with Flexible Inner Protection and Reinforced Hard Bumper Frame for Huawei P10 Lite (2017)—Champagne Gold”, <https://www.amazon.com/dp/B06XD1Z6XW>, Earliest review date of Oct. 30, 2017, Downloaded on Dec. 18, 2018.

“Spigen Neo Hybrid Google Pixel Case with Flexible Inner Protection and Reinforced Hard Bumper Frame for Google Pixel 2016—Blue”, <https://www.amazon.com/dp/B01N3VR9EA>, Earliest review date of Jan. 10, 2017, Downloaded on Dec. 18, 2018.

“Spigen Neo Hybrid Herringbone Google Pixel 2 XL Case with Flexible Inner Protection and Reinforced Hard Bumper Frame for Google Pixel 2 XL (2017)—Gunmetal”, <https://www.amazon.com/dp/B07474WTCG>, Earliest review date of Oct. 30, 2017, Downloaded on Dec. 18, 2018.

“Spigen Neo Hybrid Huawei Y6 Case with Flexible Inner Protection and Reinforced Hard Bumper Frame for Huawei Y6 2015—Champagne Gold”, <https://www.amazon.com/dp/B0182SKWUO>, Earliest review date of Feb. 13, 2017, Downloaded on Dec. 18, 2018.

“Spigen Neo Hybrid LG G6 Case Herringbone with Flexible Inner Protection and Reinforced Hard Bumper Frame for LG G6 (2017)—Satin Silver”, <https://www.amazon.com/dp/B01MR8C5Z7>, Earliest review date of Mar. 25, 2017, Downloaded on Dec. 18, 2018.

“Spigen Neo Hybrid Galaxy S8 Plus Case Herringbone with Flexible Inner Protection and Reinforced Hard Bumper Frame for Galaxy S8 Plus (2017)—Gunmetal”, <https://www.amazon.com/dp/B06XP6CRP5>, Earliest review date of Apr. 2, 2017, Downloaded on Dec. 18, 2018.

“Spigen Neo Hybrid Galaxy S8 Case Herringbone with Flexible Inner Protection and Reinforced Hard Bumper Frame for Samsung Galaxy S8 (2017)—Gunmetal”, <https://www.amazon.com/dp/B06XP521V1>, Earliest review date of Apr. 6, 2017, Downloaded on Dec. 18, 2018.

“Spigen Neo Hybrid Crystal Glitter Galaxy S8 Case with Flexible Inner Casing and Reinforced Hard Bumper Frame for Samsung Galaxy S8 (2017)—Space Quartz”, <https://www.amazon.com/dp/B06XP5KTXN>, Earliest review date of Apr. 15, 2017, Downloaded on Dec. 18, 2018.

“Spigen Neo Hybrid Crystal Galaxy S8 Plus Case with Clear Hard Casing and Reinforced Hard Bumper Frame for Galaxy S8 Plus (2017)—Gunmetal”, <https://www.amazon.com/dp/B06XP5HHV1>, Earliest review date of Apr. 20, 2017, Downloaded on Dec. 18, 2018.

“Spigen Neo Hybrid Crystal Glitter Galaxy S8 Plus Case with Flexible Inner Protection and Reinforced Hard Bumper Frame for

Galaxy S8 Plus (2017)—Space Quartz”, <https://www.amazon.com/dp/B06XNW4WS9>, Earliest review date of Apr. 20, 2017, Downloaded on Dec. 18, 2018.

“Spigen Neo Hybrid Crystal Galaxy S6 Edge Plus Case with Flexible Inner Casing and Reinforced Hard Bumper Frame for Galaxy S6 Edge Plus 2015—Blue Topaz”, <https://www.amazon.com/dp/B010MWIIXQ>, Earliest review date of Jun. 25, 2017, Downloaded on Dec. 18, 2018.

“Spigen Neo Hybrid OnePlus 5 Case with Flexible Inner Protection and Reinforced Hard Bumper Frame for OnePlus 5 (2017)—Gunmetal”, <https://www.amazon.com/dp/B06XG24Q98>, Earliest review date of Aug. 23, 2017, Downloaded on Dec. 18, 2018.

“Spigen Neo Hybrid Galaxy Note 8 Case with Herringbone Flexible Inner Protection and Reinforced Hard Bumper Frame for Galaxy Note 8 (2017)—Gunmetal”, <https://www.amazon.com/dp/B073RWTZ5V>, Earliest review date of Aug. 27, 2017, Downloaded on Dec. 18, 2018.

“Spigen Neo Hybrid Crystal Galaxy Note 8 Case with Clear Hard Casing and Reinforced Hard Bumper Frame for Galaxy Note 8 (2017)—Gunmetal”, <https://www.amazon.com/dp/B073R79115>, Earliest review date of Aug. 28, 2017, Downloaded on Dec. 18, 2018.

“Spigen Neo Hybrid Herringbone iPhone 8 Plus Case/iPhone 7 Plus Case with Hard Bumper Frame for Apple iPhone 8 Plus (2017) / Apple iPhone 7 Plus (2016)—Black & Gunmetal”, <https://www.amazon.com/dp/B07482D1JW>, Earliest review date of Sep. 12, 2017, Downloaded on Dec. 18, 2018.

“Spigen Neo Hybrid [2nd Generation] iPhone 8 Plus Case/iPhone 7 Plus Case with Hard Frame for Apple iPhone 8 Plus (2017) / Apple iPhone 7 Plus (2016)—Gunmetal”, <https://www.amazon.com/dp/B07519W92L>, Earliest review date of Sep. 14, 2017, Downloaded on Dec. 18, 2018.

“Spigen Neo Hybrid Herringbone iPhone 8 Case/iPhone 7 Case with Flexible Inner Protection and Reinforced Hard Bumper Frame for Apple iPhone 8 (2017) / iPhone 7 (2016)—Gunmetal”, <https://www.amazon.com/dp/B07482P44X>, Earliest review date of Sep. 20, 2017, Downloaded on Dec. 18, 2018.

“Spigen Neo Hybrid Crystal [2nd Generation] iPhone 8 Case/iPhone 7 Case with Clear Hard Casing and Reinforced Hard Bumper Frame for Apple iPhone 8 (2017) / iPhone 7 (2016)—Gunmetal”, <https://www.amazon.com/dp/B0751C7FF2>, Earliest review date of Sep. 22, 2017, Downloaded on Dec. 18, 2018.

“Spigen Neo Hybrid Crystal [2nd Generation] iPhone 8 Plus Case/iPhone 7 Plus Case with Clear Casing and Hard Bumper Frame for Apple iPhone 8 Plus (2017) / Apple iPhone 7 Plus (2016)—Rose Gold”, <https://www.amazon.com/dp/B0751D3JTL>, Earliest review date of Sep. 23, 2017, Downloaded on Dec. 18, 2018.

“Spigen Neo Hybrid [2nd Generation] iPhone 8 Case/iPhone 7 Case with Flexible Inner Protection and Reinforced Hard Bumper Frame for Apple iPhone 8 (2017) / iPhone 7 (2016)—Gunmetal”, <https://www.amazon.com/dp/B074Z51MBW>, Earliest review date of Sep. 24, 2017, Downloaded on Dec. 18, 2018.

“Spigen Neo Hybrid Crystal iPhone X Case with Clear Hard Casing and Reinforced Hard Bumper Frame for Apple Phone X (2017)—Satin Silver”, <https://www.amazon.com/dp/B074CMZ6YV>, Earliest review date of Oct. 5, 2017, Downloaded on Dec. 18, 2018.

“Spigen Neo Hybrid LG V30 Case / V30S / V30 Plus Case Herringbone with Flexible Inner Protection and Reinforced Hard Bumper Frame for LG V30 (2017)—Satin Silver”, <https://www.amazon.com/dp/B072QZTQWC>, Earliest review date of Oct. 6, 2017, Downloaded on Dec. 18, 2018.

“Spigen Neo Hybrid iPhone X Case Herringbone with Flexible Inner Protection and Reinforced Hard Bumper Frame for Apple iPhone X (2017)—Black & Gunmetal”, <https://www.amazon.com/dp/B074CMNSXV>, Earliest review date of Oct. 20, 2017, Downloaded on Dec. 17, 2018.

“Installation video of SGP Neo Hybrid Case”, <https://www.youtube.com/watch?v=mVASro4MsEg>, Downloaded Oct. 30, 2009.

“Installation video of SGP Neo Hybrid2”, https://www.youtube.com/watch?v=y5_NdOVOfZo, Downloaded May 25, 2010.

“Installation video of SGP Neo Hybrid EX on iPhone 4”, <https://www.youtube.com/watch?v=Z-IRDIH1w0E>, Downloaded Sep. 3, 2010.

(56)

References Cited

OTHER PUBLICATIONS

“SGP Neo Hybrid Matte Series Case for the iPhone 4”, <https://www.youtube.com/watch?v=f0H74451I-8>, Downloaded Sep. 22, 2010.

“SGP iPhone 4 Case Neo Hybrid Matte Series Gun Metal”, <https://www.amazon.com/dp/B004F1IQ7E>, Earliest review date of Dec. 3, 2010, Downloaded on Aug. 15, 2018.

“Installation video of SGP Neo Hybrid on iPhone 4”, <https://www.youtube.com/watch?v=GnVusVoDrOc>, Downloaded Dec. 15, 2010.

“Installation video of SGP Case Neo Hybrid EX on Galaxy S2”, <https://www.youtube.com/watch?v=ZPhSIAUxXWg>, Downloaded Aug. 24, 2011.

“Spigen SGP Neo Hybrid 2S iPhone 4s & Neo Hybrid Galaxy S2 LTE”, <https://www.youtube.com/watch?v=SLzDq11dyiY>, Downloaded Nov. 21, 2011.

“Spigen SGP Neo Hybrid case for iPhone 4S”, <https://www.youtube.com/watch?v=nLvPhRyX3g>, Downloaded Nov. 22, 2011.

“Neo Hybrid Case for Galaxy S3”, <https://www.youtube.com/watch?v=IgpahRniVkU>, Downloaded Jun. 27, 2012.

“Installation video of Spigen SGP Case Neo Hybrid EX on iPhone 5”, <https://www.youtube.com/watch?v=X2GAS9FT6U4>, Downloaded Oct. 11, 2012.

“Spigen Neo Hybrid Galaxy S4 Case with Flexible Inner Protection and Reinforced Hard Bumper Frame for Galaxy S4 2013—Dante Red”, <https://www.amazon.com/dp/B00BYJXI1Y>, Earliest review date of May 9, 2013, Downloaded on Jan. 22, 2019.

“Spigen Neo Hybrid iPhone 5 & 5s Case Review”, <https://www.youtube.com/watch?v=vTvTYZfSmal>, Downloaded Jul. 21, 2013.

“Spigen SGP Neo Hybrid for Galaxy Note 3 Review”, <https://www.youtube.com/watch?v=W80JtBDScKk>, Downloaded Nov. 3, 2013.

“Spigen Neo Hybrid Galaxy S5 Case with Flexible Inner Protection and Reinforced Hard Bumper Frame for Samsung Galaxy S5 2014—Electric Blue”, <https://www.amazon.com/dp/B0013UWJYJ>, Earliest review date of Apr. 12, 2014, Downloaded on Jan. 22, 2019.

“Gold Apple iPhone 5 5S Hubrid Shockproof Hard Bumper Spft Case Cover Skin”, <https://www.nywatchstore.com/goapip55shys.html>, Earliest review date of Mar. 21, 2016, Downloaded on Jan. 22, 2019.

“Spigen Neo Hybrid iPhone 6 Case with Flexible Inner Protection and Reinforced Hard Bumper Frame for iPhone 6S / iPhone 6—Gunmetal”, <https://www.amazon.com/dp/B00LL6ZPXY>, Earliest review date of Aug. 28, 2014, Downloaded on Dec. 18, 2018.

“Spigen Neo Hybrid EX iPhone 6 Case with Flexible Inner Bumper and Reinforced Hard Frame for iPhone 6S/iPhone 6—EX Satin Silver”, <https://www.amazon.com/dp/B00LL6RZ3C>, Earliest review date of Sep. 6, 2014, Downloaded on Dec. 18, 2018.

“Spigen Neo Hybrid Nexus 6 Case with Flexible Inner Protection and Reinforced Hard Bumper Frame for Google Nexus 6 2014—Dante Red”, <https://www.amazon.com/dp/B00OH4HKGC>, Earliest review date of Nov. 16, 2014, Downloaded on Dec. 18, 2018.

“Spigen Neo Hybrid Galaxy S6 Case with Flexible Inner Protection and Reinforced Hard Bumper Frame for Galaxy S6 2015—Satin Silver”, <https://www.amazon.com/dp/B00QU4Q31A>, Earliest review date of Mar. 6, 2015, Downloaded on Dec. 18, 2018.

“Spigen Neo Hybrid Galaxy S6 Edge Case with Flexible Inner Protection and Reinforced Hard Bumper Frame for Galaxy S6 Edge 2015—Gunmetal”, <https://www.amazon.com/dp/B00SV635BG>, Earliest review date of Mar. 19, 2015, Downloaded on Dec. 18, 2018.

“Spigen Neo Hybrid CC Galaxy S6 Case with Flexible Inner Casing and Reinforced Hard Bumper Frame for Galaxy S6 2015—Satin Silver”, <https://www.amazon.com/dp/B00UMDOZLU>, Earliest review date of Mar. 25, 2015, Downloaded on Dec. 18, 2018.

“Spigen Neo Hybrid CC Galaxy S6 Edge Case with Flexible Inner Casing and Reinforced Hard Bumper Frame for Galaxy S6 Edge 2015—Blue Topaz”, <https://www.amazon.com/dp/B00USAPGKQ>, Earliest review date of Apr. 4, 2015, Downloaded on Dec. 18, 2018.

“Spigen Neo Hybrid Carbon Galaxy S6 Edge Plus Case with Carbon Fiber Design and Reinforced Hard Bumper Frame for

Galaxy S6 Edge Plus 2015—Dante Red”, <https://www.amazon.com/dp/B010MWHZS0>, Earliest review date of Aug. 18, 2015, Downloaded on Dec. 18, 2018.

“Spigen Neo Hybrid Crystal Galaxy Note 5 Case with Flexible Inner Casing and Reinforced Hard Bumper Frame for Galaxy Note 5 2015—Champagne Gold”, <https://www.amazon.com/dp/B010MWIG1K>, Earliest review date of Aug. 22, 2015, Downloaded on Dec. 18, 2018.

“iPhone 6s Case, Spigen [Neo Hybrid EX] Premium Bumper [Rose Gold] Clear TPU / PC Frame Slim Dual Layer Premium Case for iPhone 6 (2014) / 6s (2015)—Rose Gold (SGP11725)”, <https://www.amazon.com/dp/B012PKV30S>, Earliest review date of Aug. 28, 2015, Downloaded on Dec. 18, 2018.

“Spigen Neo Hybrid iPhone 6S Case with Flexible Inner Protection and Reinforced Hard Bumper Frame for iPhone 6S 2015—Gunmetal”, <https://www.amazon.com/dp/B010MVIZTE>, Earliest review date of Sep. 1, 2019, Downloaded on Dec. 18, 2018.

“Spigen Neo Hybrid Carbon iPhone 6s Case with Carbon Fiber Design and Reinforced Hard Bumper Frame for Apple iPhone 6s / iPhone 6 (2015)—Reventon Yellow”, <https://www.amazon.com/dp/B010MVJ5O8>, Earliest review date of Sep. 1, 2015, Downloaded on Dec. 18, 2018.

“Spigen Neo Hybrid EX iPhone 6S Plus Case with Flexible Inner Bumper and Reinforced Hard Frame for iPhone 6S Plus/iPhone 6 Plus—Champagne Gold”, <https://www.amazon.com/dp/B010MVR16>, Earliest review date of Sep. 4, 2015, Downloaded on Dec. 18, 2018.

“iPhone 6S Plus Case, Caseology [Wavelength Series] Slim Fit Military-Grade Drop Protection [Navy Blue] for Apple iPhone 6S Plus (2015) & iPhone 6 Plus (2014)”, <https://www.amazon.com/dp/B013W2C77G>, Earliest review date of Sep. 10, 2015, Downloaded on Mar. 13, 2018.

“Spigen Neo Hybrid Carbon iPhone 6S Plus Case with Carbon Fiber Design and Reinforced Hard Bumper Frame for iPhone 6S Plus 2015—Gunmetal”, <https://www.amazon.com/dp/B010MVRGMQ>, Earliest review date of Sep. 11, 2015, Downloaded on Dec. 18, 2018.

“Spigen Neo Hybrid LG G7 Case/LG G7 ThinQ Case with Flexible Herringbone Pattern Protection and Reinforced Hard Bumper Frame for LG G7 ThinQ (2018)—Gunmetal”, <https://www.amazon.com/dp/B078MPT645>, Earliest review date of Jun. 4, 2018, Downloaded on Dec. 18, 2018.

“iPhone SE Case, for Apple iPhone 5S/5 Case, Rock [Royce] Antiscratch Drop Protection Slim Fit Dual Layered Heavy Duty Armor Hybrid Hard PC + Soft TPU Protective Shell Case Champagne Gold/Black”, <https://www.amazon.com/dp/B014A8AM7I>, Earliest review date of Oct. 16, 2015, Downloaded on Jan. 30, 2019.

“Spigen Neo Hybrid EX Nexus 6P Case with Flexible Inner Bumper and Reinforced Hard Frame for Nexus 6P 2015—Gunmetal”, <https://www.amazon.com/dp/B0184I8Z4W>, Earliest review date of Oct. 20, 2015, Downloaded on Dec. 18, 2018.

“Spigen Neo Hybrid Galaxy A8 Case with Flexible Inner Protection and Reinforced Hard Bumper Frame for Galaxy A8 (2018)—Gunmetal”, <https://www.amazon.com/dp/B077MW27DR>, Earliest review date of Apr. 27, 2018, Downloaded on Dec. 18, 2018.

George Tinari, “Caseology review: Testing 4 of the nicest iPhone 6s cases available”, <http://www.cultofmac.com/category/reviews/>, Downloaded on Nov. 28, 2015.

“Spigen Neo Hybrid Crystal Galaxy S7 Edge Case with Flexible Inner Casing and Reinforced Hard Bumper Frame for Samsung Galaxy S7 Edge 2016—Satin Silver”, <https://www.amazon.com/dp/B01A7IDQV4>, Earliest review date of Feb. 22, 2016, Downloaded on Dec. 18, 2018.

“Spigen Neo Hybrid Galaxy S7 Case with Flexible Inner Protection and Reinforced Hard Bumper Frame for Samsung Galaxy S7 2016—Gunmetal”, <https://www.amazon.com/dp/B01B1I6J0E>, Earliest review date of Feb. 27, 2016, Downloaded on Dec. 18, 2018.

“Spigen Neo Hybrid Galaxy S7 Edge Case with Flexible Inner Protection and Reinforced Hard Bumper Frame for Samsung Galaxy S7 Edge 2016—Satin Silver”, <https://www.amazon.com/dp/B01B1I6JMM>, Earliest review date of Feb. 27, 2016, Downloaded on Dec. 18, 2018.

“Spigen Neo Hybrid Crystal Galaxy S7 Case with Flexible Inner Casing and Reinforced Hard Bumper Frame for Samsung Galaxy

(56)

References Cited

OTHER PUBLICATIONS

S7 2016—Champagne Gold”, <https://www.amazon.com/dp/B01B29WCOY>, Earliest review date of Mar. 3, 2016, Downloaded on Dec. 18, 2018.

“Rock PC+TPU Neo Hybrid Durable Slim Armor cover case for iPhone SE Plus”, <https://www.ebay.com/itm/ROCK-PC-TPU-Neo-Hybrid-Durable-Slim-Armor-cover-case-for-iphone-X-6S-5S-SE-Plus-/111952466831>, Earliest review date of Mar. 30, 2016, Downloaded on Mar. 9, 2018.

“Spigen Neo Hybrid iPhone SE Case with Flexible Inner Protection and Reinforced Hard Bumper Frame for iPhone SE 2016—Gunmetal”, <https://www.amazon.com/dp/B01BEJBBSK>, Earliest review date of Apr. 6, 2016, Downloaded on Dec. 20, 2018.

“Spigen Neo Hybrid Crystal iPhone SE Case with Flexible Inner Casing and Reinforced Hard Bumper Frame for iPhone SE 2016—Rose Gold”, <https://www.amazon.com/dp/B01BEJB7TI>, Earliest review date of Apr. 7, 2016, Downloaded on Dec. 18, 2018.

“Spigen Neo Hybrid NC Galaxy S9 Plus Case with Disassemblable Top and Bottom Frames with Clear Rigid Back for 2018 Samsung

Galaxy S9 Plus—Lilac Purple”, <https://www.amazon.com/dp/B07CZ98B53>, Earliest review date of Apr. 25, 2018, Downloaded on Dec. 18, 2018.

“Spigen Neo Hybrid Crystal LG G5 Case with Flexible Inner Casing and Reinforced Hard Bumper Frame for LG G5 2016—Champagne Gold”, <https://www.amazon.com/dp/B01B1GQKIC>, Earliest review date of Apr. 17, 2016, Downloaded on Dec. 18, 2018.

“Spigen Neo Hybrid OnePlus 3 Case/OnePlus 3T Case with Flexible Inner Protection and Reinforced Hard Bumper Frame for OnePlus 3 2016—Gunmetal”, <https://www.amazon.com/dp/B01H3PF76Q>, Earliest review date of Aug. 9, 2016, Downloaded on Dec. 18, 2018.

“Rock Royce Hybrid Case for Apple iPhone 5 5S & SE Iron Grey”, <https://www.gadgetwear.co.uk/products/rock-royce-hybrid-case-for-apple-iphone-5-5s-se-iron-grey>, Earliest review date of Aug. 26, 2016, Downloaded on Mar. 9, 2018.

“Spigen Neo Hybrid NC Galaxy S9 Case with Disassemblable Top and Bottom Frames with Clear Rigid Back for 2018 Samsung Galaxy S9—Lilac Purple”, <https://www.amazon.com/dp/B07CZ7WJLR>, Earliest review date of Apr. 25, 2018, Downloaded on Dec. 18, 2018.

* cited by examiner

FIG. 1

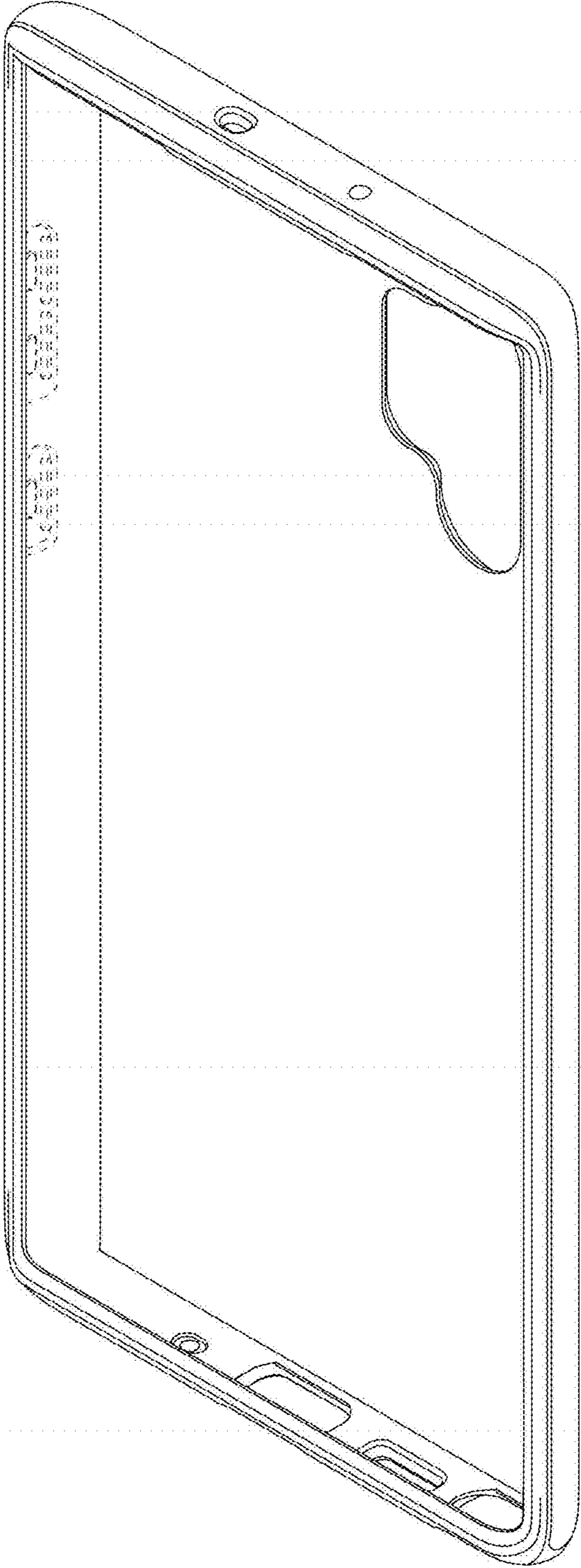


FIG. 2

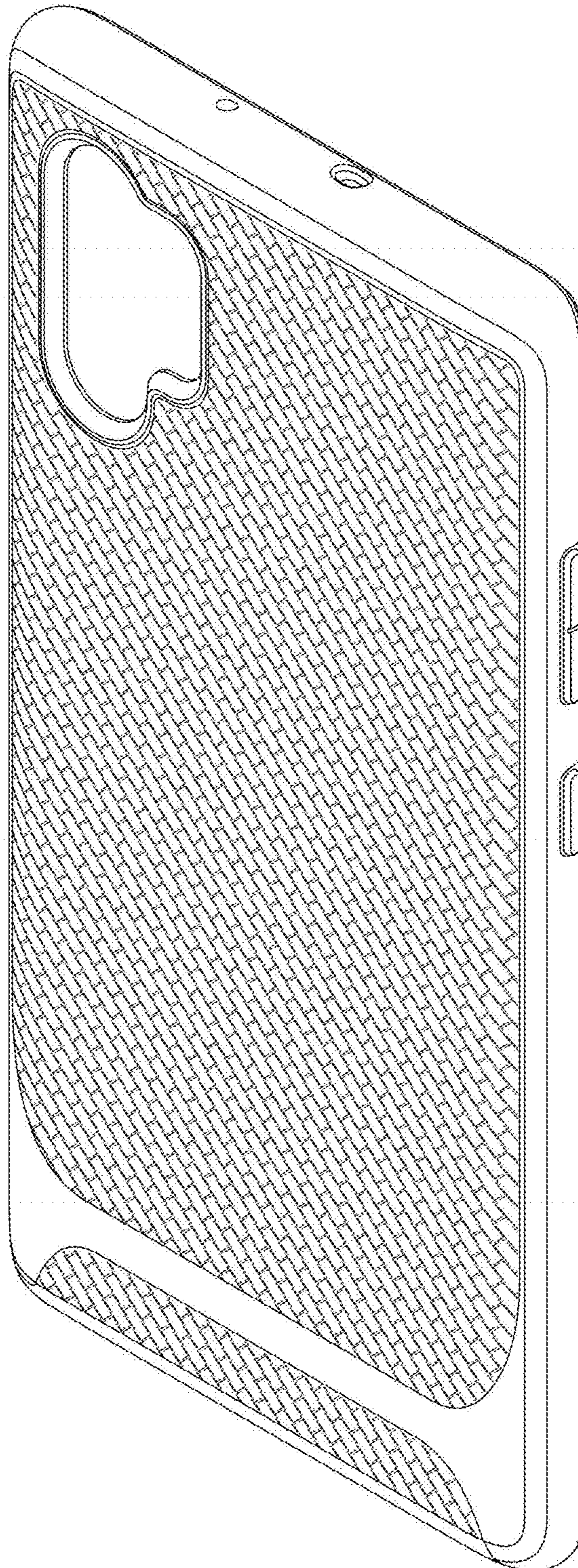


FIG. 3

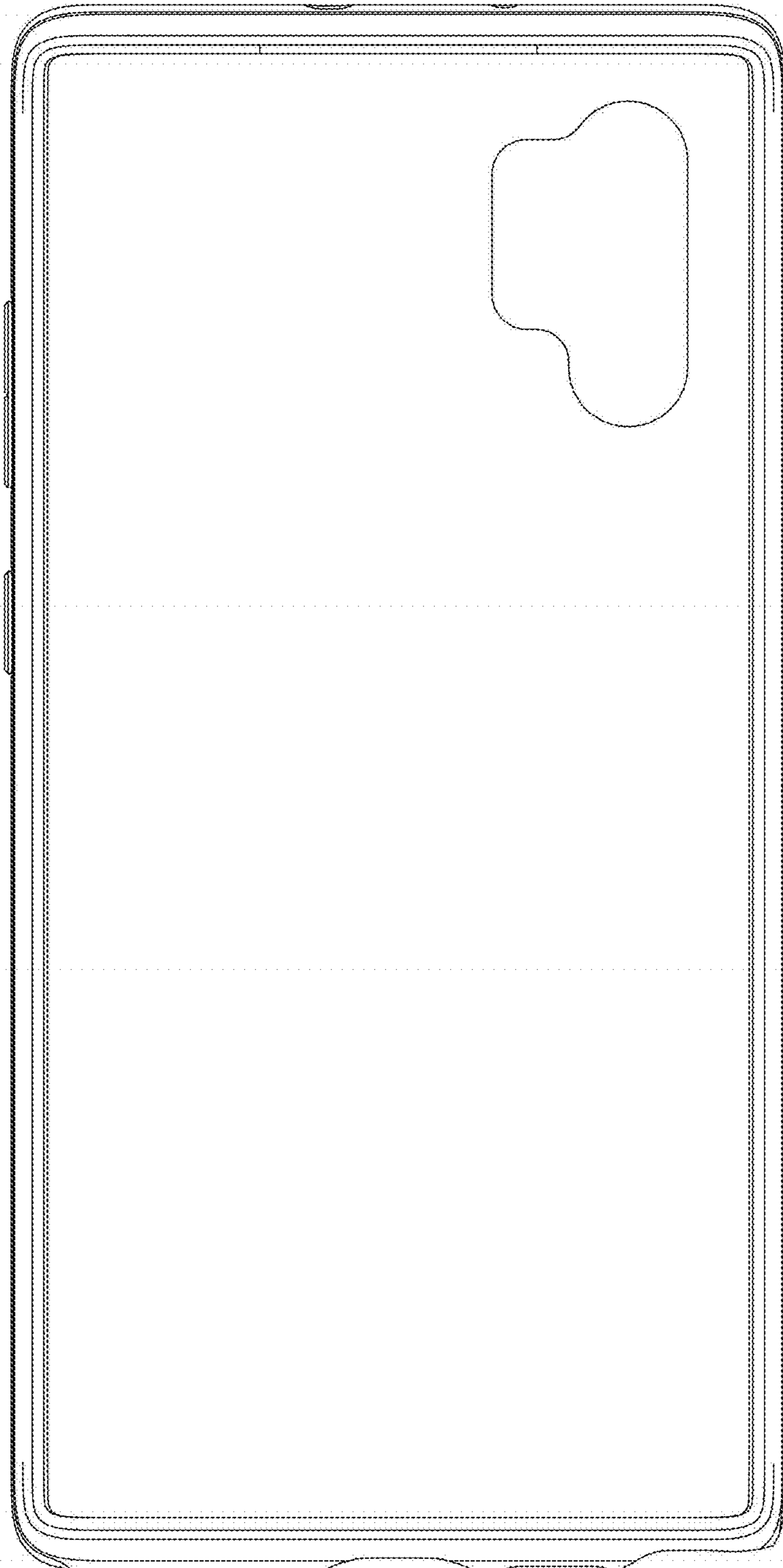


FIG. 4

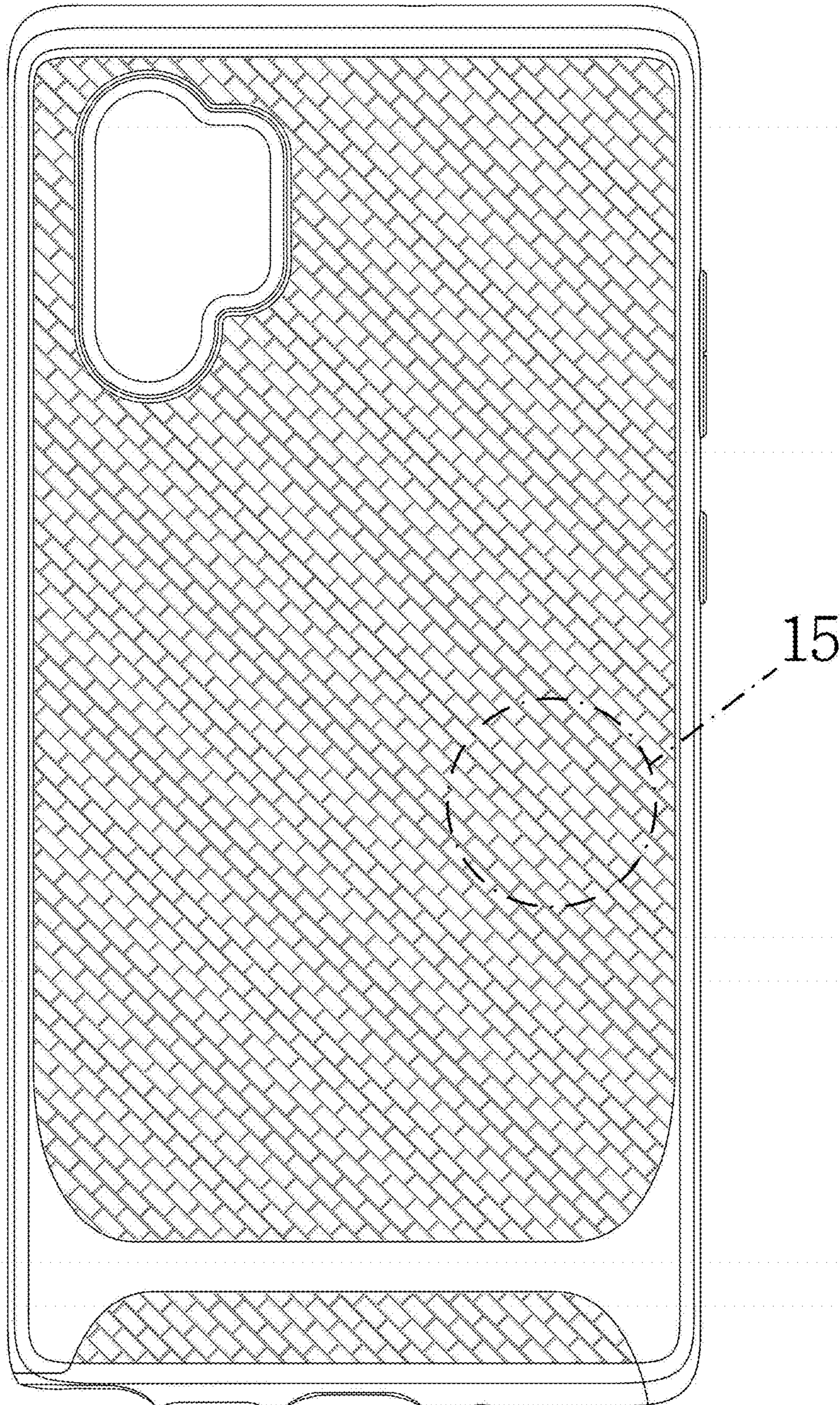


FIG. 5

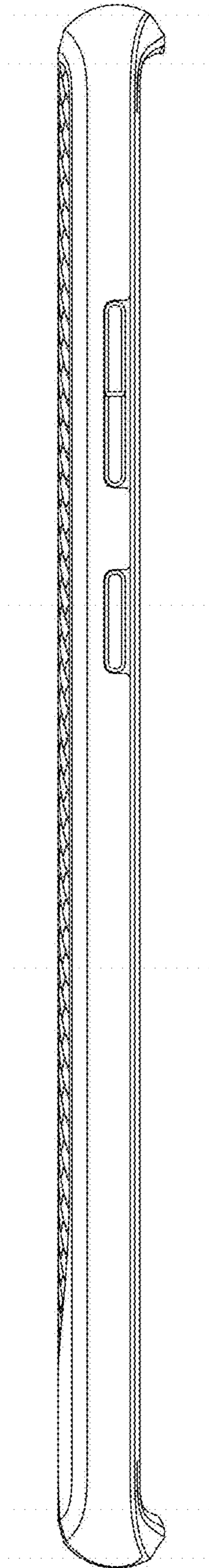


FIG. 6

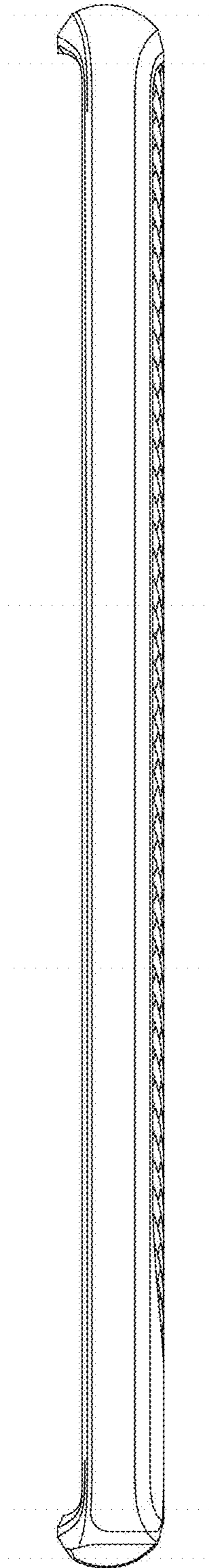


FIG. 7

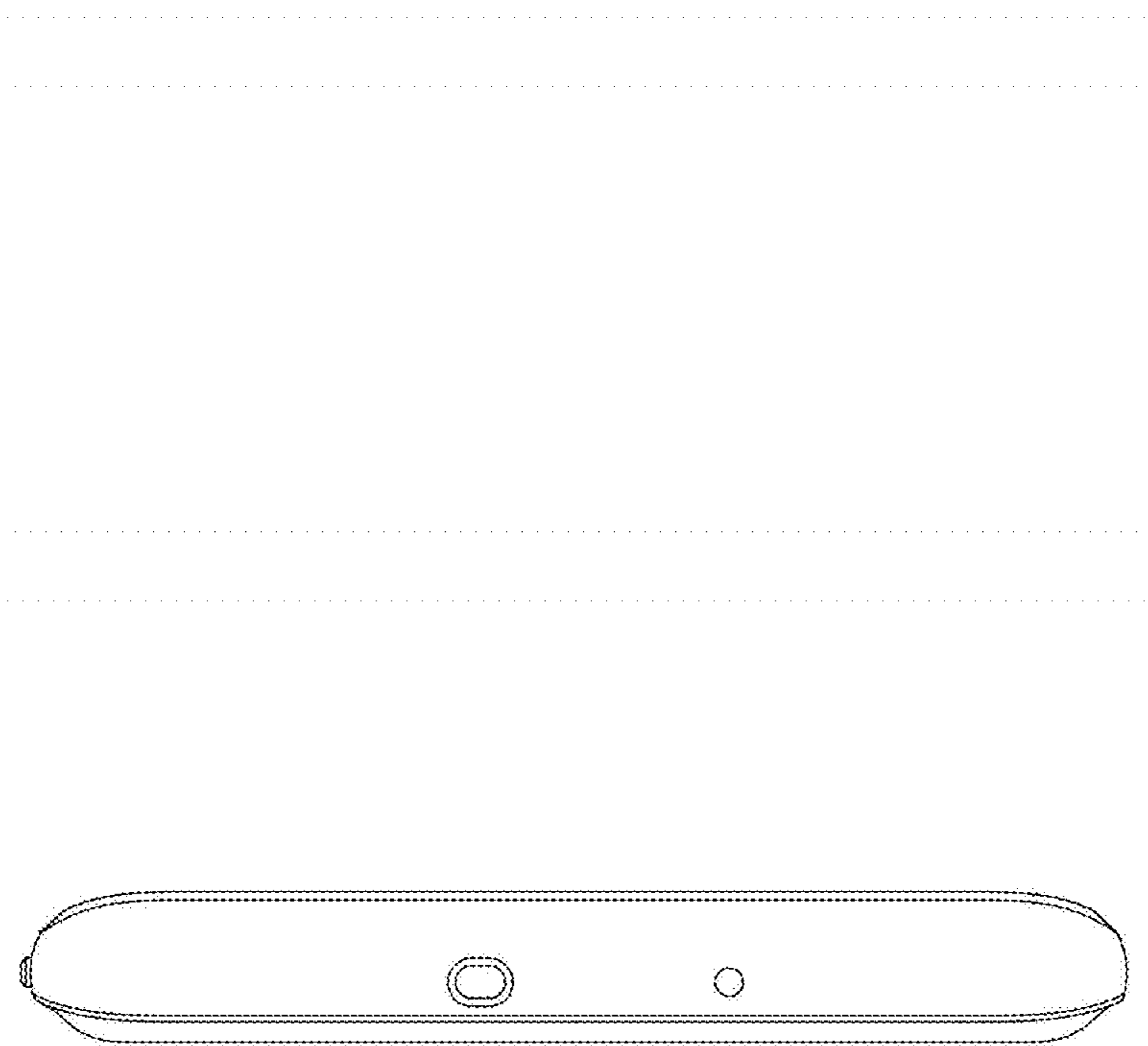


FIG. 8

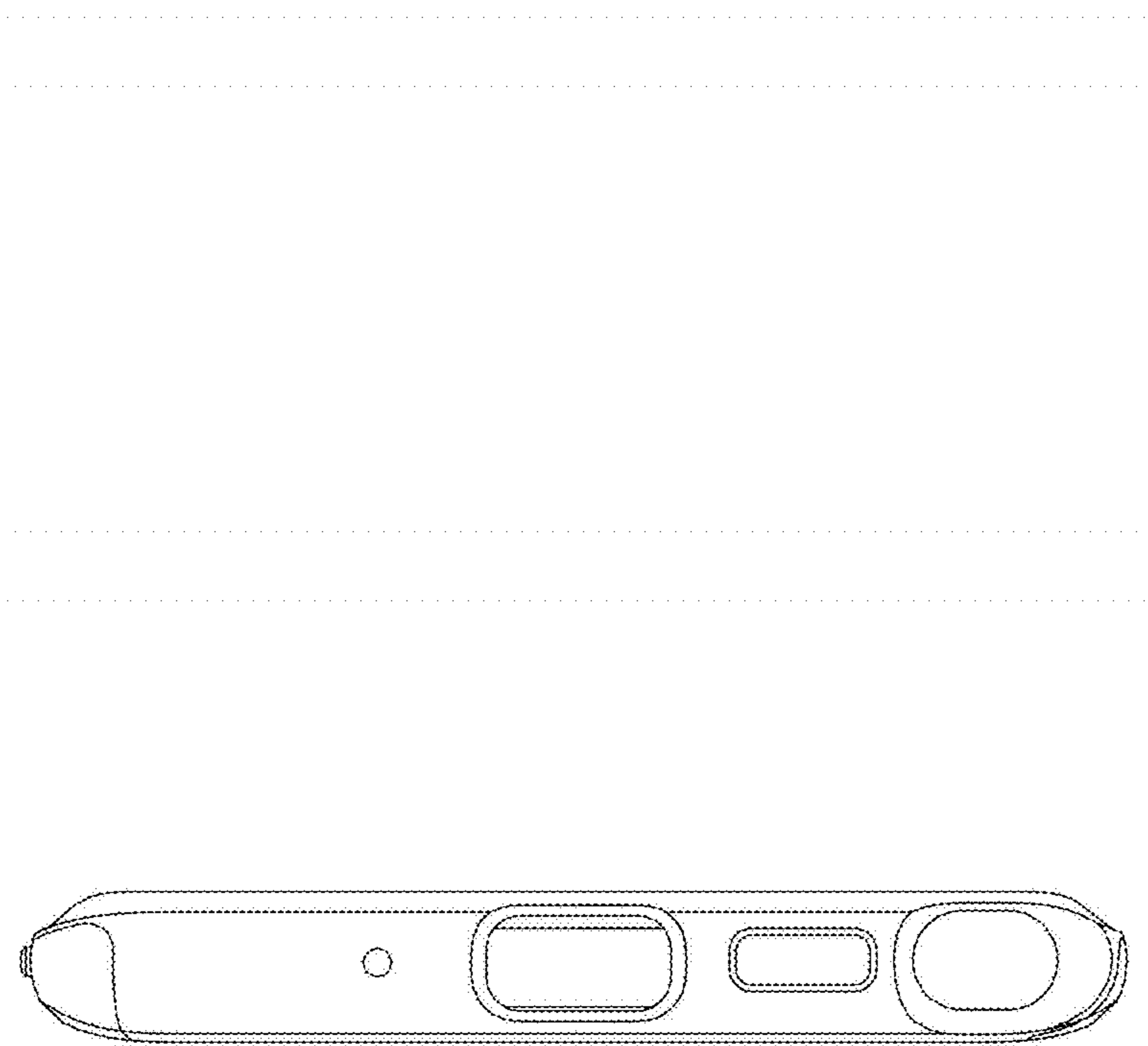


FIG. 9

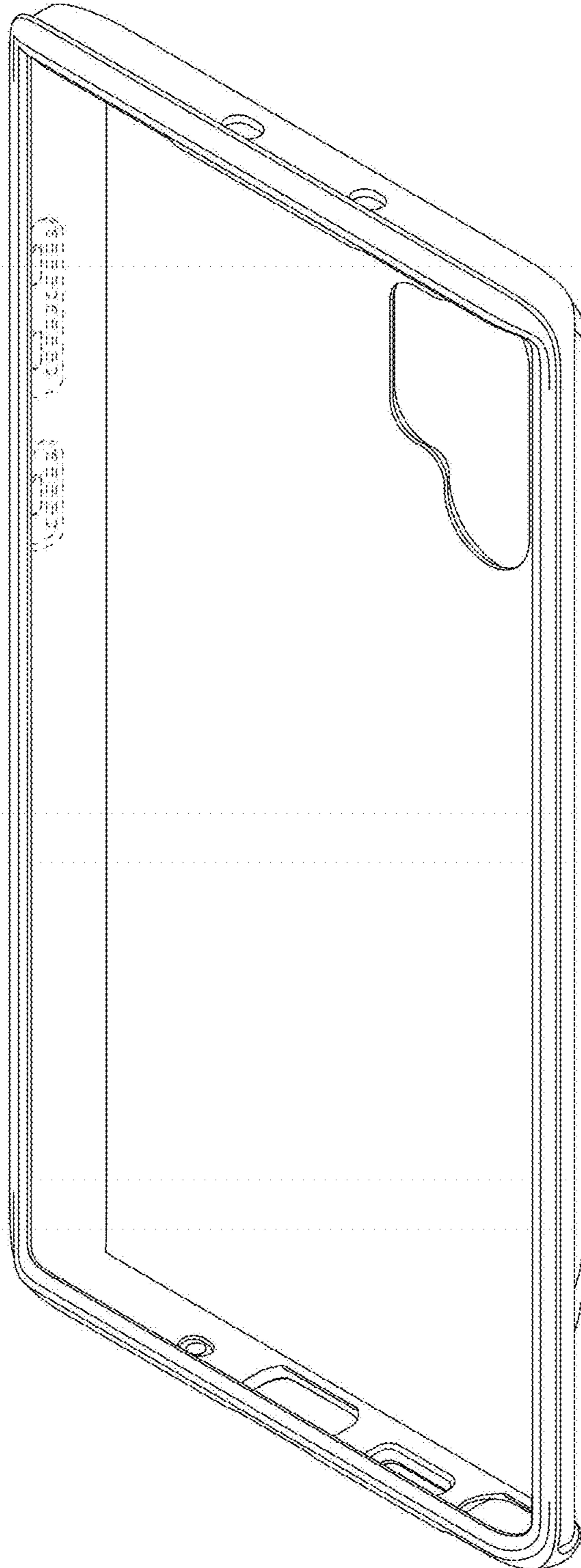


FIG. 10

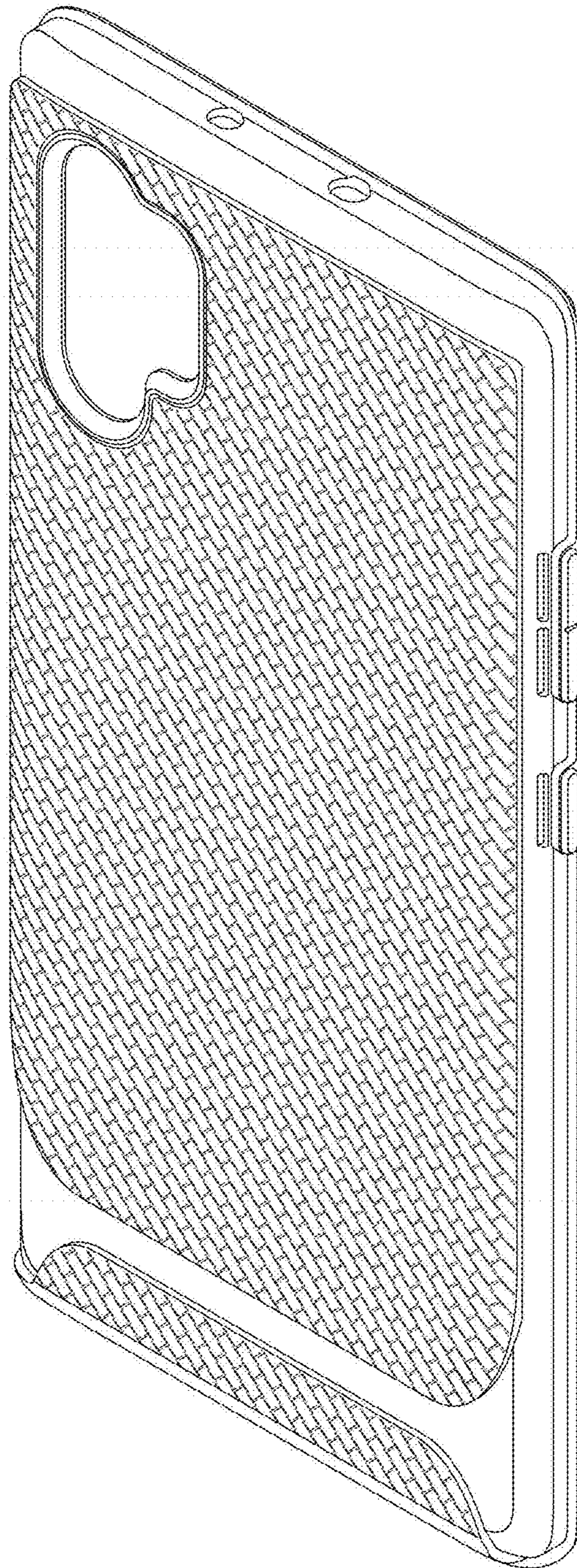


FIG. 11

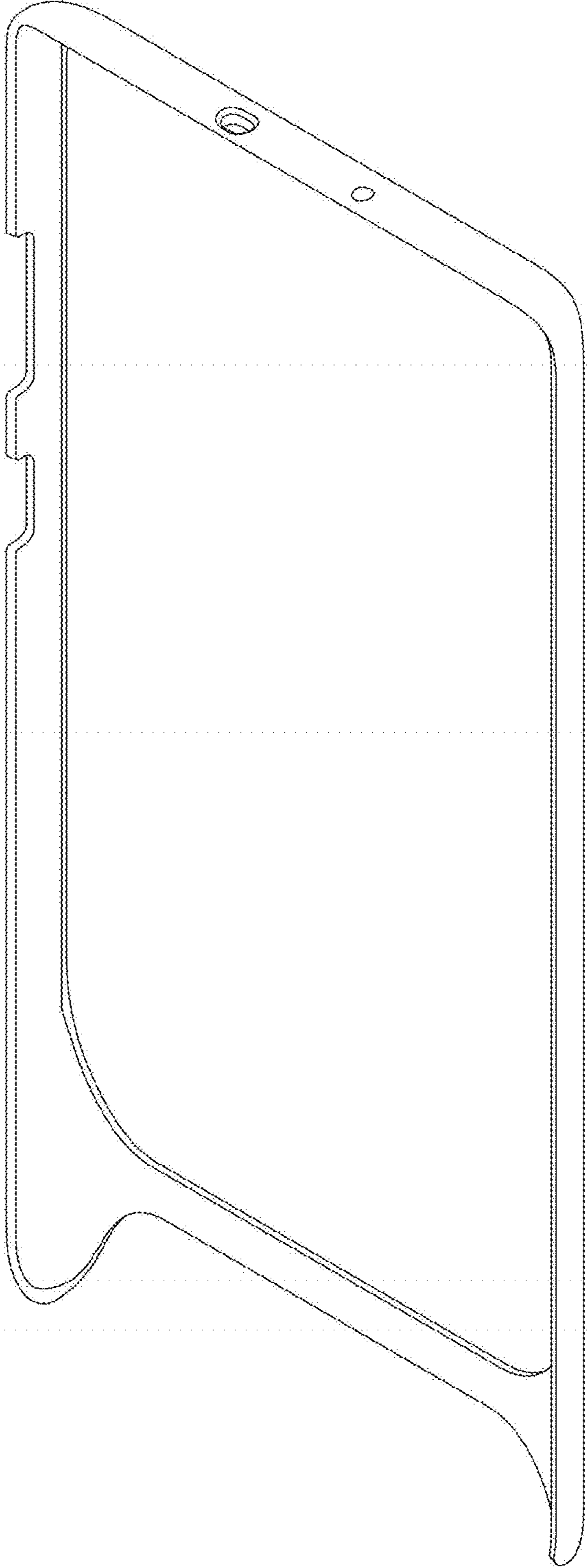


FIG. 12

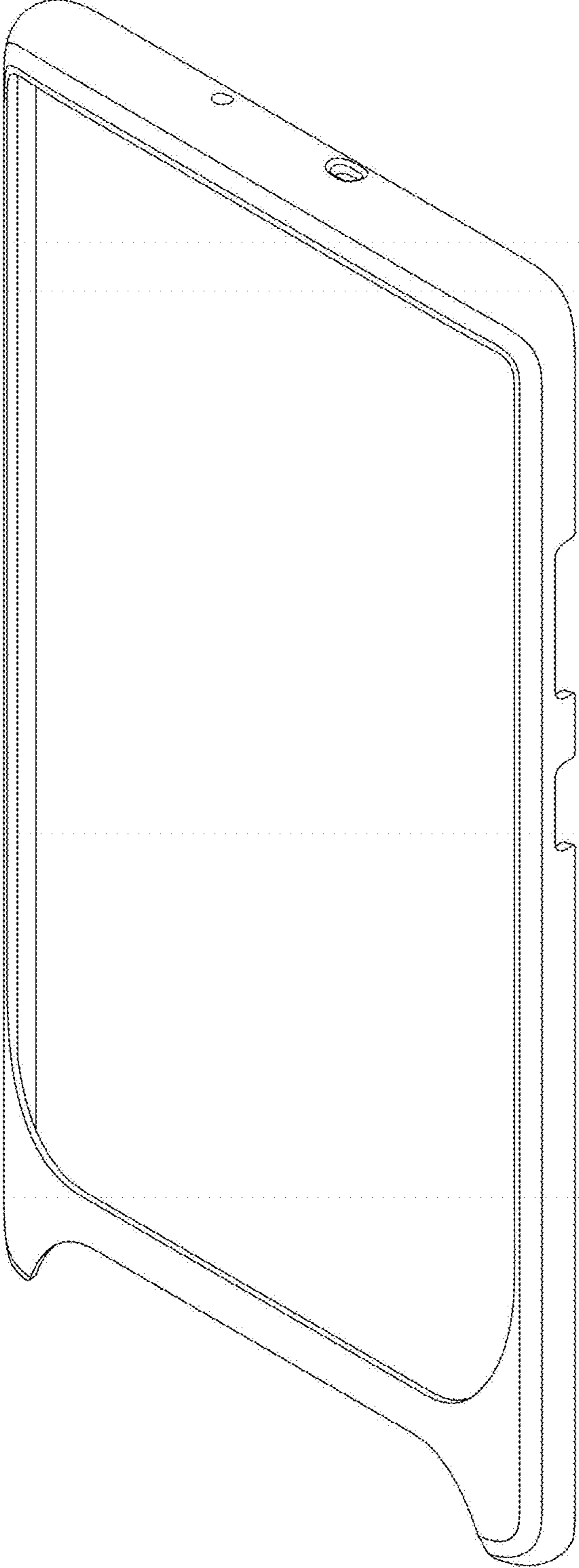


FIG. 13

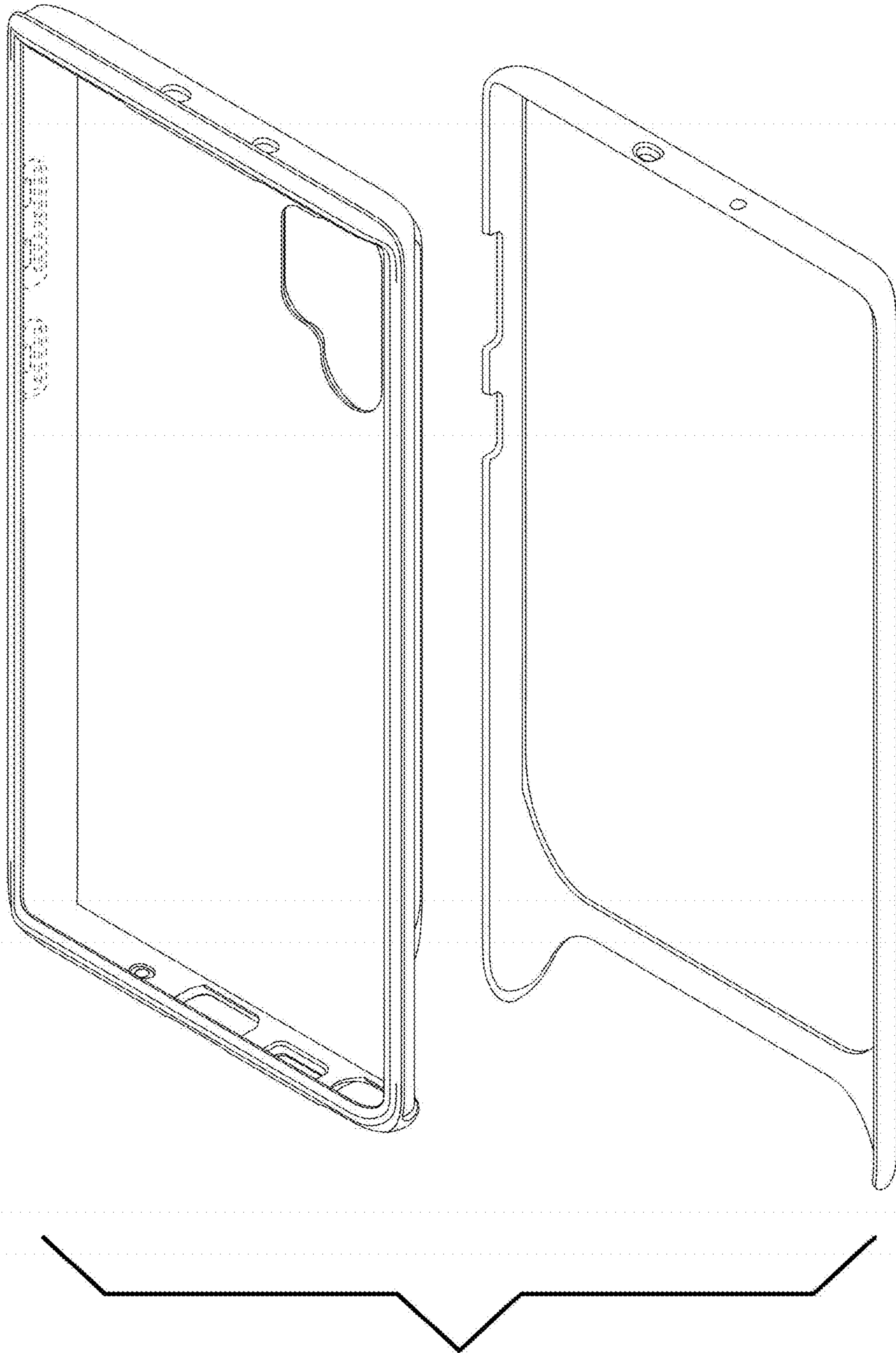


FIG. 14

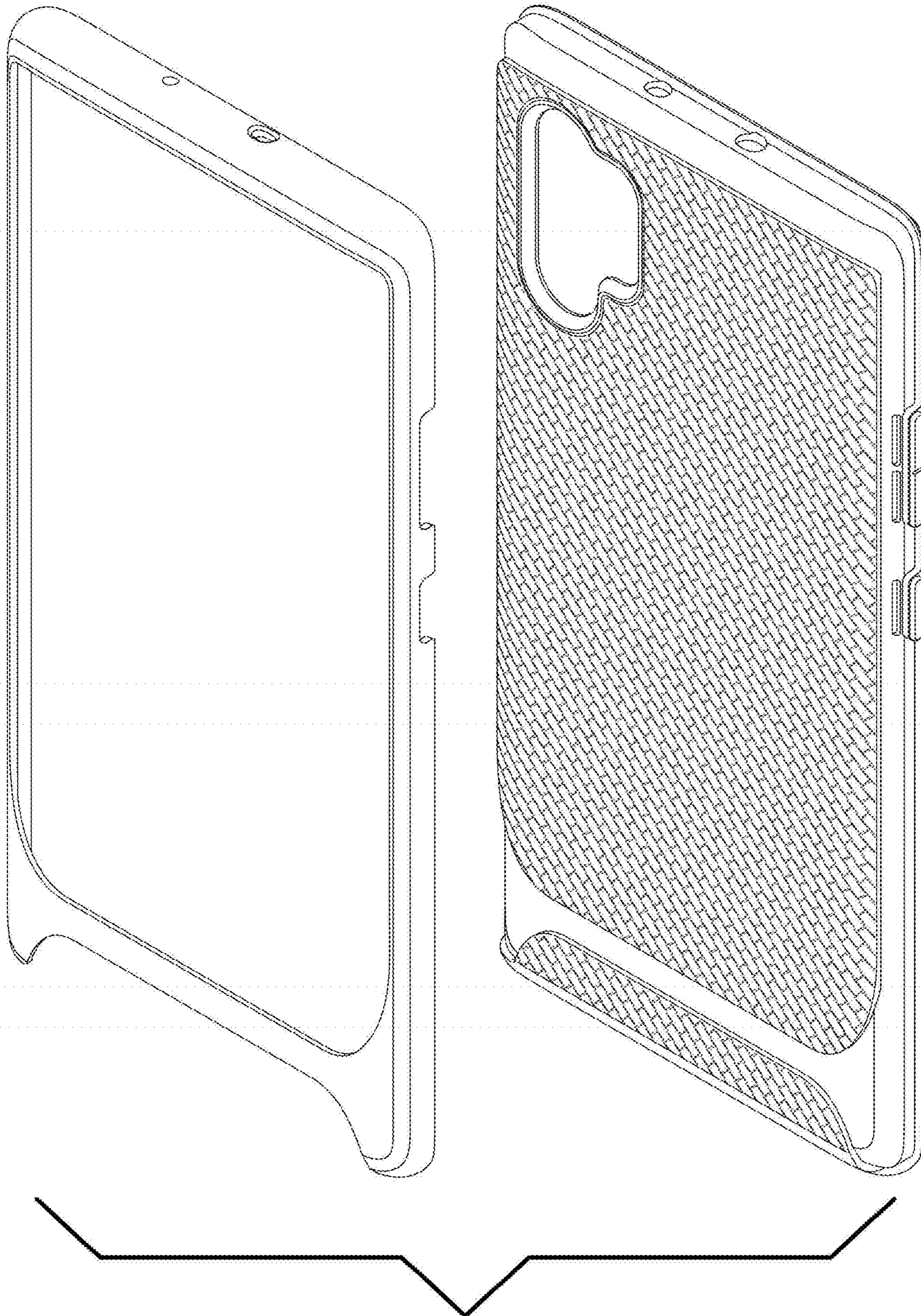


FIG. 15

