



US00D903646S

(12) **United States Design Patent**
Huang

(10) **Patent No.:** **US D903,646 S**

(45) **Date of Patent:** **** Dec. 1, 2020**

(54) **CELL PHONE CASE**

(71) Applicant: **Shenzhen Lanhe Technologies Co., Ltd.**, Shenzhen (CN)

(72) Inventor: **Xiaoxin Huang**, Guangdong (CN)

(73) Assignee: **Shenzhen Lanhe Technologies Co., Ltd.**, Shenzhen (CN)

(**) Term: **15 Years**

(21) Appl. No.: **29/687,342**

(22) Filed: **Apr. 12, 2019**

(51) **LOC (12) Cl.** **14-03**

(52) **U.S. Cl.**
USPC **D14/250**

(58) **Field of Classification Search**
USPC D14/217, 238.1, 240, 248, 250, 251-253,
D14/439, 440, 447; D13/107-108, 103,
(Continued)

(56) **References Cited**

U.S. PATENT DOCUMENTS

D780,741 S * 3/2017 Yin D14/250
D798,286 S * 9/2017 Roberts D14/250
(Continued)

OTHER PUBLICATIONS

“Mkeke Compatible with iPhone XR Case, Clear Anti-Scratch Shock Absorption Cover Case for iPhone XR” [online]. Mkeke. [Product first available on Sep. 14, 2018]. Retrieved from the Internet: <<https://www.amazon.com/dp/B07HRJL27Z/>>.*

(Continued)

Primary Examiner — Khawaja Anwar

Assistant Examiner — Mojtaba Tehrani

(74) *Attorney, Agent, or Firm* — Andrew C. Cheng

(57) **CLAIM**

I claim the ornamental design for a cell phone case, as shown and described.

DESCRIPTION

FIG. 1 is a perspective view of a cell phone case according to one embodiment, the whole body of the cell phone case being transparent or semi-transparent.

FIG. 2 is a front view of the cell phone case of FIG. 1.

FIG. 3 is a rear view of the cell phone case of FIG. 1.

FIG. 4 is a right side view of the cell phone case of FIG. 1.

FIG. 5 is a left side view of the cell phone case of FIG. 1.

FIG. 6 is a top view of the cell phone case of FIG. 1.

FIG. 7 is a bottom view of the cell phone case of FIG. 1.

FIG. 8 is a perspective view of a cell phone case according to another embodiment, the whole body of the cell phone case being non-transparent.

FIG. 9 is a front view of the cell phone case of FIG. 8.

FIG. 10 is a rear view of the cell phone case of FIG. 8.

FIG. 11 is a right side view of the cell phone case of FIG. 8.

FIG. 12 is a left side view of the cell phone case of FIG. 8.

FIG. 13 is a top view of the cell phone case of FIG. 8.

FIG. 14 is a bottom view of the cell phone case of FIG. 8.

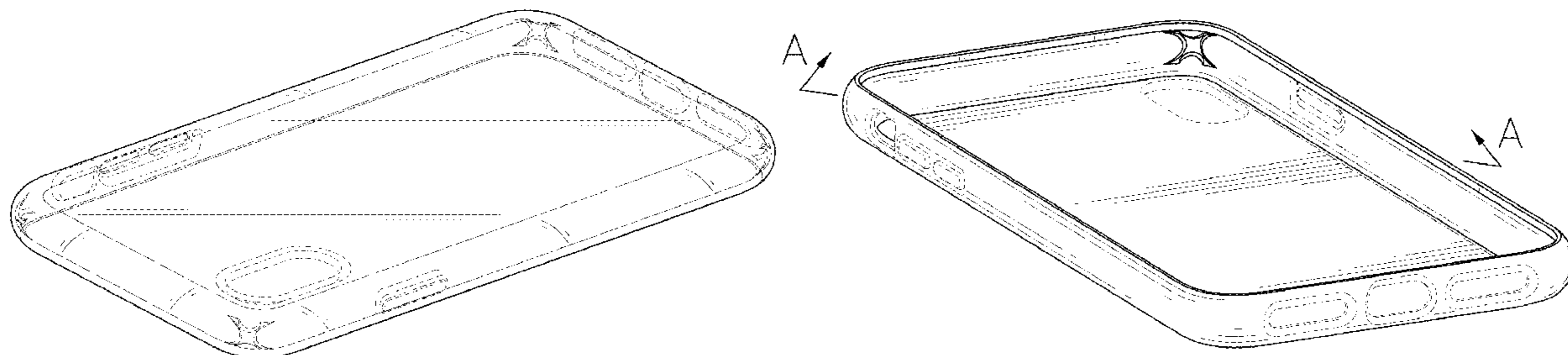
FIG. 15 is a sectional view of the cell phone case of FIG. 8, taken along the line A-A thereof.

FIG. 16 is a sectional view of the cell phone case of FIG. 10, taken along the line B-B thereof; and,

FIG. 17 is a sectional view of the cell phone case of FIG. 12, taken along the line C-C thereof.

The broken line showing of the environment is for illustrative purposes only and forms no part of the claimed design.

1 Claim, 17 Drawing Sheets



(58) **Field of Classification Search**
 USPC D13/119; D3/201, 269, 273, 301, 218,
 D3/247, 303
 CPC H04B 1/3888; H04M 1/0283;
 H04M 1/0202; A45C 1/06; A45C 11/00;
 A45C 13/02; A45C 2011/002; A45F
 2005/026; A45F 2200/0525; A45F
 2200/0516
 See application file for complete search history.

(56) **References Cited**

U.S. PATENT DOCUMENTS

D805,507 S *	12/2017	Jakobuco	D14/250
D816,654 S *	5/2018	Chen	D14/250
D839,256 S *	1/2019	Kim	D14/250
D839,862 S *	2/2019	Hyun	D14/250
D842,295 S *	3/2019	Ahn	D14/250
D852,184 S *	6/2019	Hyun	D14/250
D860,182 S *	9/2019	Hyun	D14/250
D860,183 S *	9/2019	Hyun	D14/250
D860,184 S *	9/2019	Kim	D14/250
D861,663 S *	10/2019	Ahn	D14/250
D868,766 S *	12/2019	Kim	D14/250
D877,132 S *	3/2020	Yang	D14/250

D877,729 S *	3/2020	Lee	D14/250
D878,348 S *	3/2020	Weng	D14/250
D894,888 S *	9/2020	Jakobuco	D14/250
2013/0331155 A1 *	12/2013	Tages	H04M 1/0283 455/575.8
2016/0197638 A1 *	7/2016	Demnard	H04B 1/3888 455/575.8
2016/0219999 A1 *	8/2016	Chang	A45C 13/36
2017/0033824 A1 *	2/2017	Tien	H04B 1/3888
2017/0303653 A1 *	10/2017	Roberts	A45C 11/00
2020/0015558 A1 *	1/2020	Kane	A45C 11/00
2020/0076937 A1 *	3/2020	Ackerman	H04M 1/185

OTHER PUBLICATIONS

“Spigen Ultra Hybrid Designed for Apple iPhone Xs Case [. . .]”
 [online]. Spigen. [Product first available on Jul. 28, 2017].
 Retrieved from the Internet: <<https://www.amazon.com/dp/B074CMMCZM/>>.*
 “Salawat for iPhone Xs Case iPhone X Case, Clear iPhone Xs Case
 [. . .]” [online]. Salawat. [Product first available on Aug. 14, 2018].
 Retrieved from the Internet: <<https://www.amazon.com/dp/B07MQ35C74/>>.*

* cited by examiner

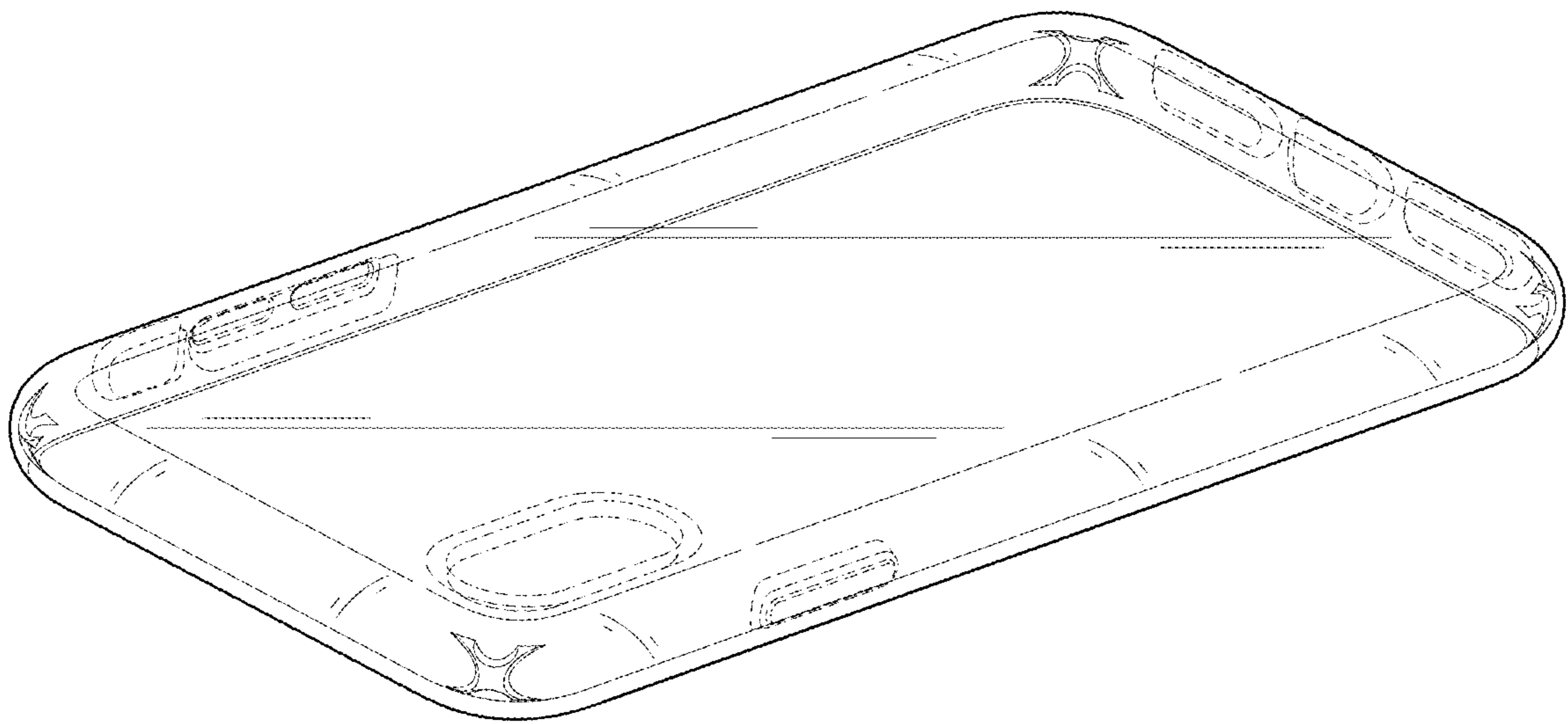


FIG. 1

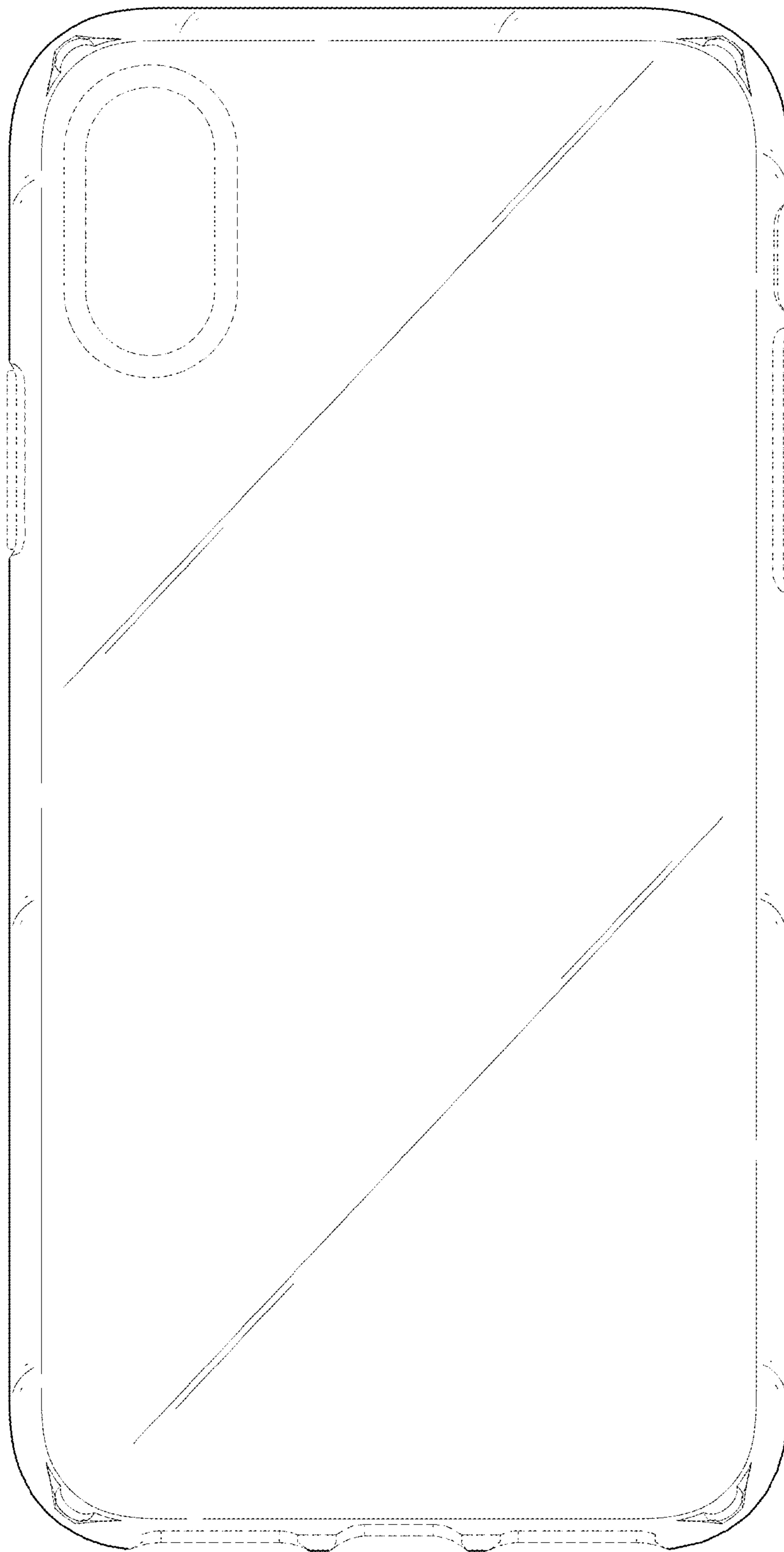


FIG. 2

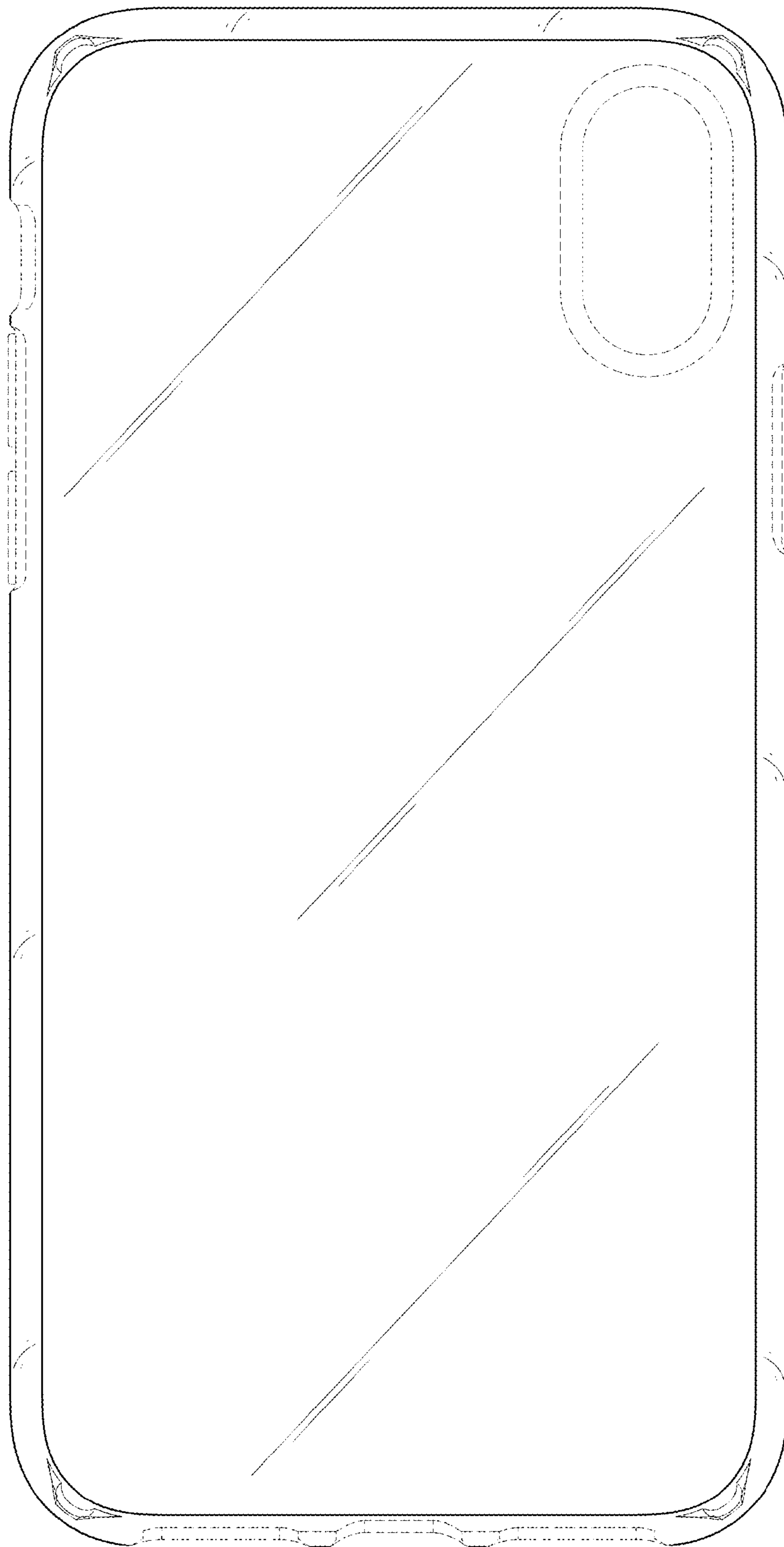


FIG. 3

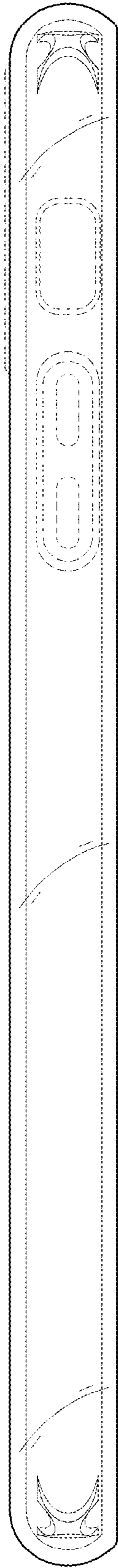


FIG. 4

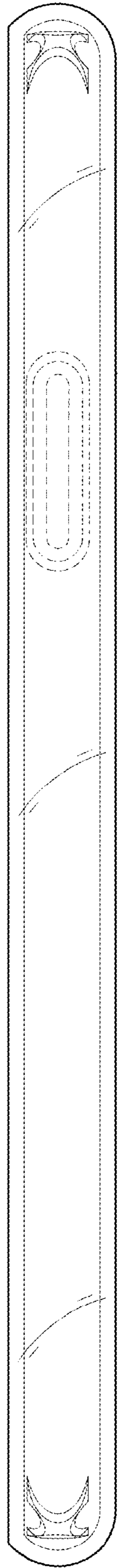


FIG. 5

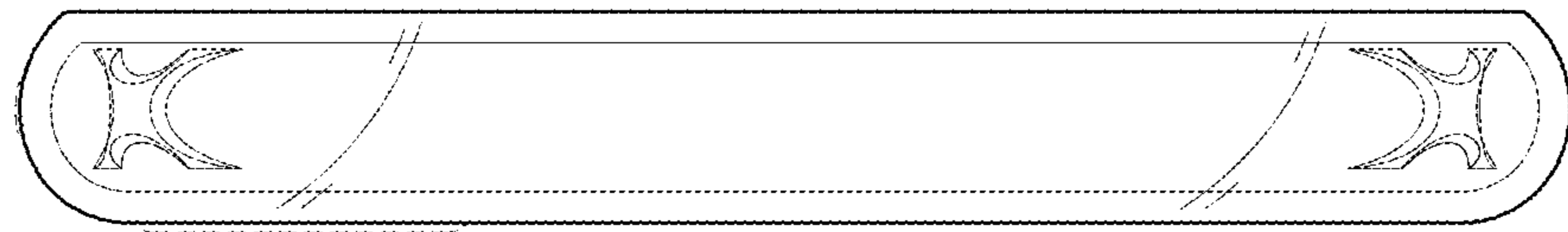


FIG. 6

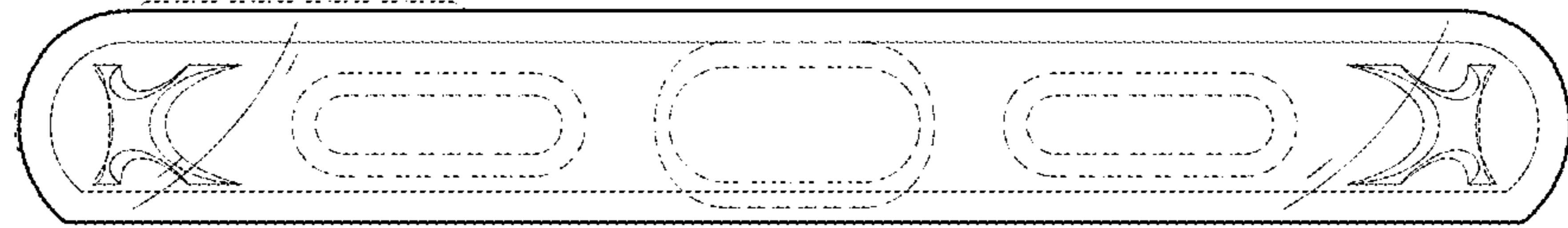


FIG. 7

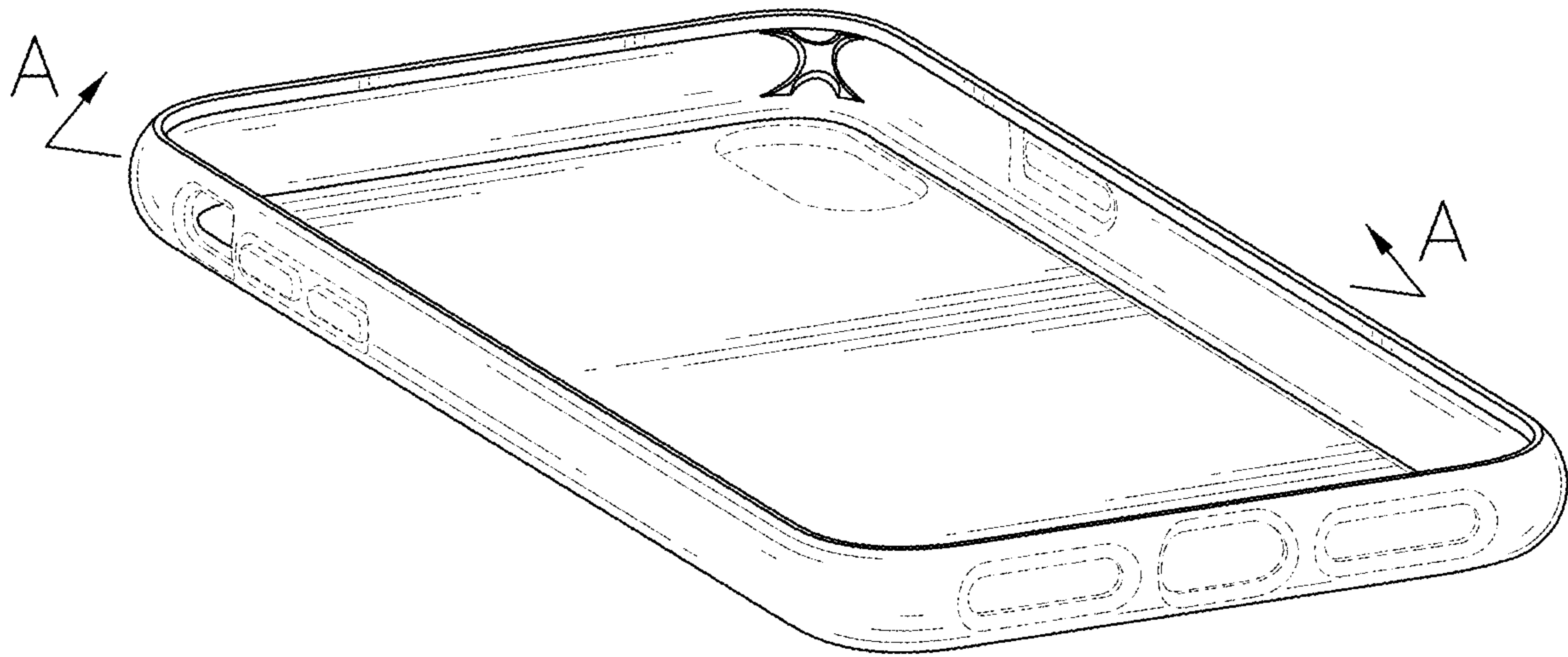


FIG. 8

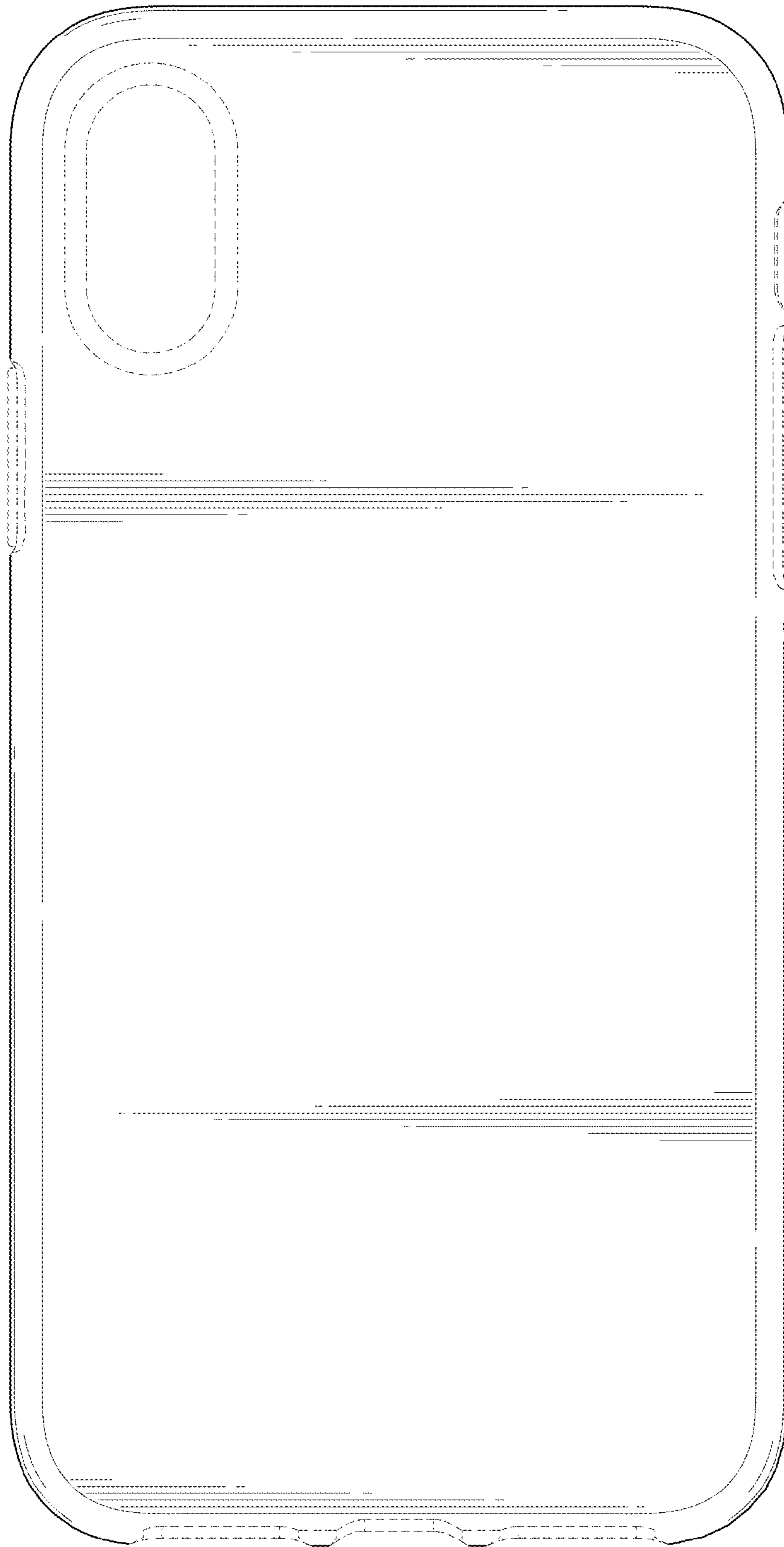


FIG. 9

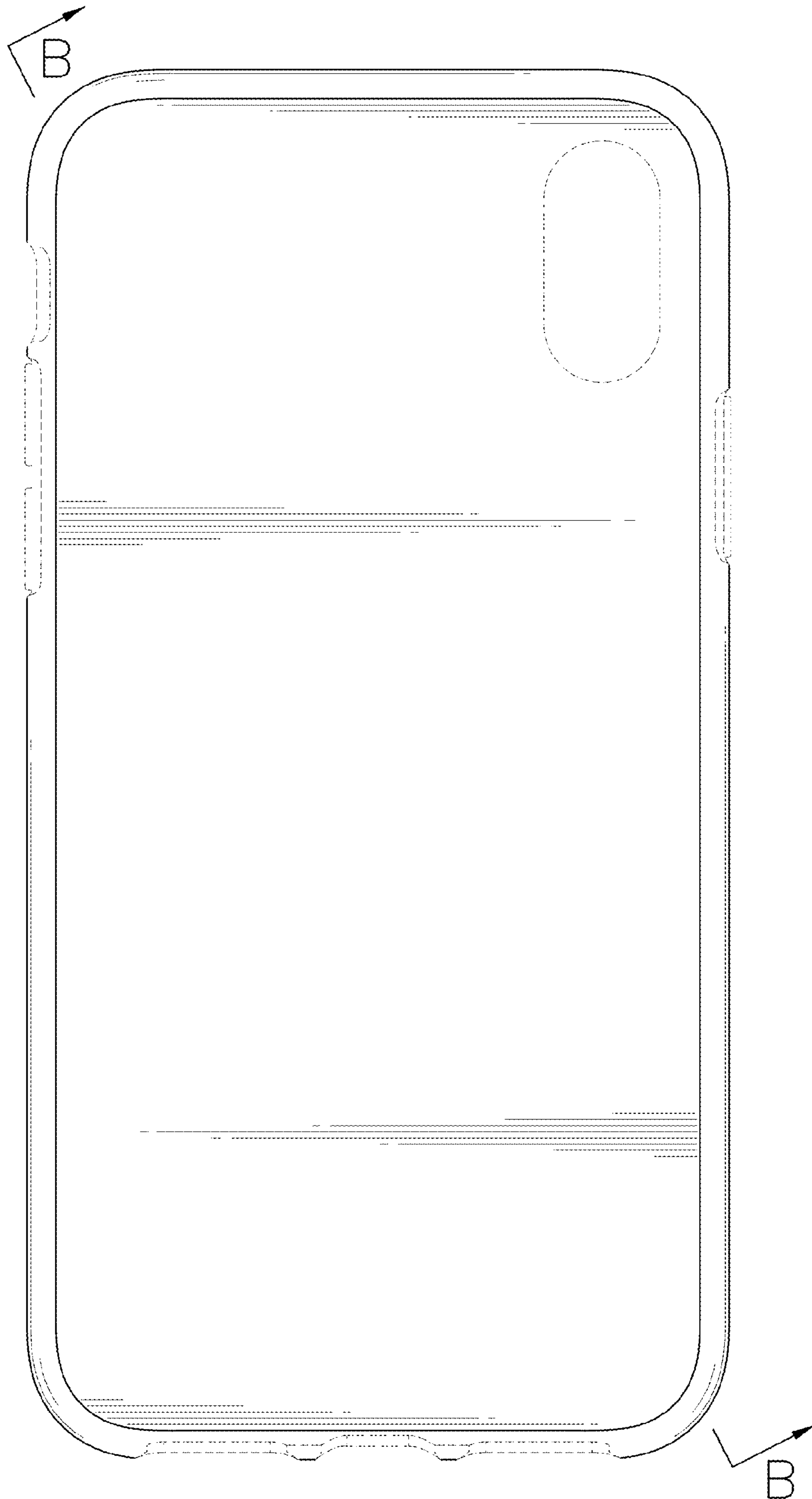


FIG. 10

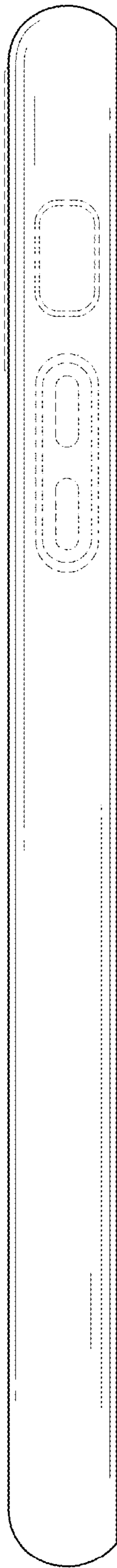


FIG. 11

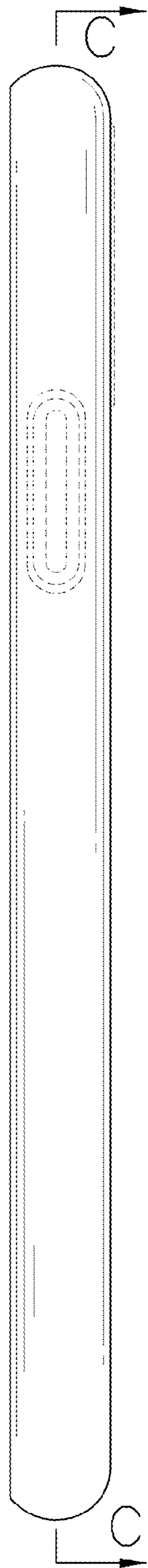


FIG. 12

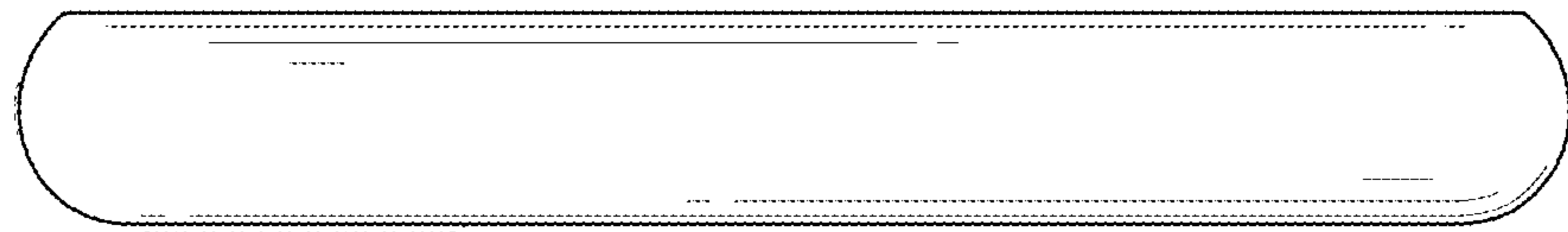


FIG. 13

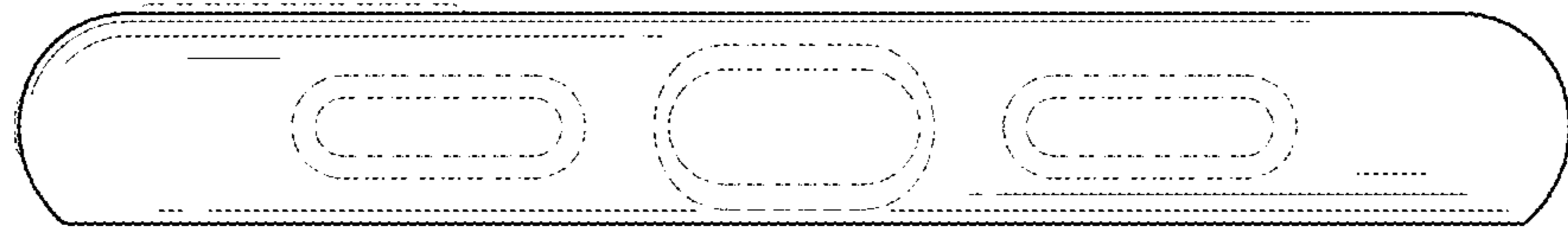


FIG. 14

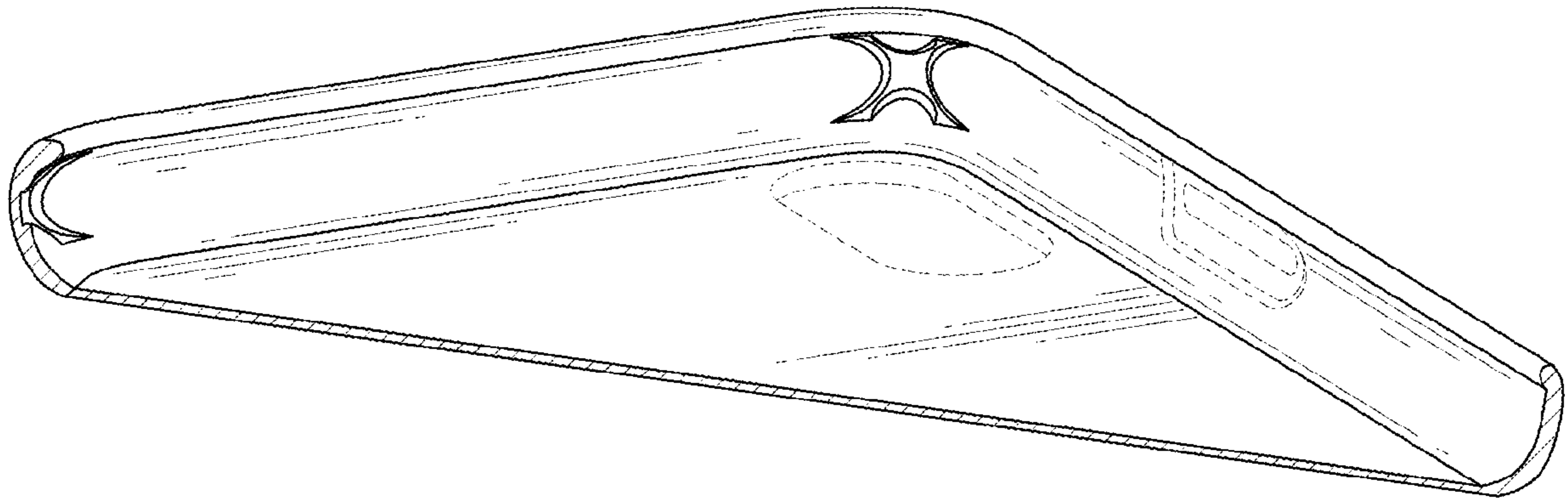


FIG. 15

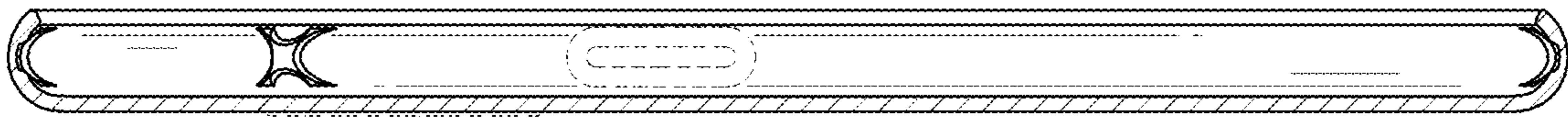


FIG. 16

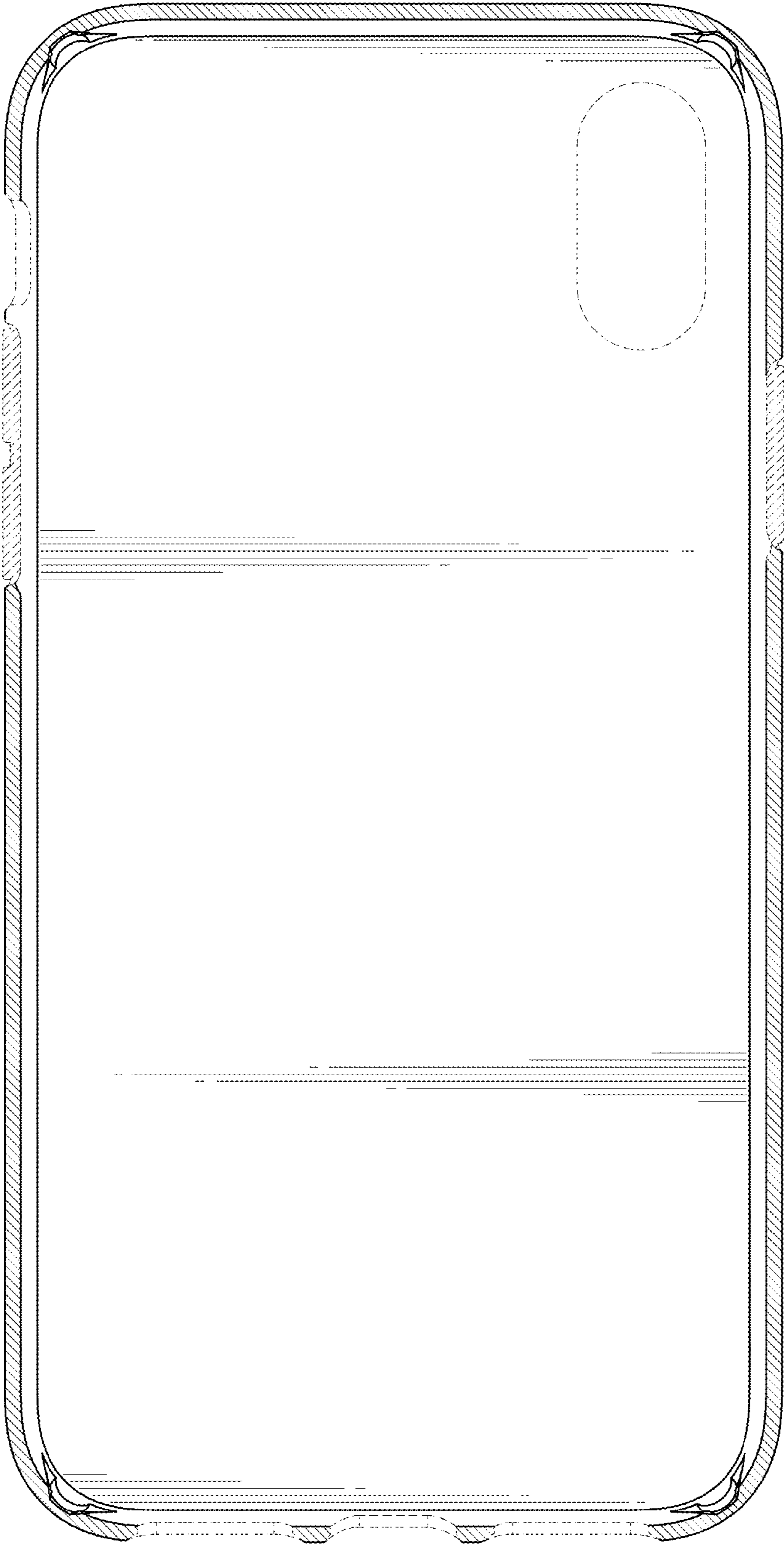


FIG. 17