



US00D903639S

(12) **United States Design Patent**
Yang

(10) **Patent No.:** **US D903,639 S**
(45) **Date of Patent:** **** Dec. 1, 2020**

(54) **EARPHONE**
(71) Applicant: **Shenzhen Ginto E-Commerce Co., Limited**, Shenzhen (CN)
(72) Inventor: **Yong Yang**, Shenzhen (CN)
(73) Assignee: **SHENZHEN GINTO E-COMMERCE CO., LIMITED**, Shenzhen (CN)
(**) Term: **15 Years**
(21) Appl. No.: **29/740,256**

D557,689 S * 12/2007 Huang D14/223
D566,099 S * 4/2008 Komiyama D14/206
D566,687 S * 4/2008 Duarte D14/205
D572,242 S * 7/2008 Yang D14/205
D572,703 S * 7/2008 Ledbetter D14/205
D576,154 S * 9/2008 Ledbetter D14/223
D596,616 S * 7/2009 Andre D14/205
D618,211 S * 6/2010 Oguro D14/205
D623,630 S * 9/2010 Otori D14/223
D627,765 S * 11/2010 Zheng D14/223
D643,417 S * 8/2011 Lee D14/223
D666,580 S * 9/2012 Lee D14/223
D666,996 S * 9/2012 Hardi D14/223
D671,531 S * 11/2012 Kim D14/223
D673,531 S * 1/2013 Lee D14/223

(Continued)

(22) Filed: **Jul. 2, 2020**

(30) **Foreign Application Priority Data**

Jun. 24, 2020 (CN) 2020 3 0333591

(51) **LOC (12) Cl.** **14-01**

(52) **U.S. Cl.**
USPC **D14/223**

(58) **Field of Classification Search**
USPC D14/223, 205; D24/174; 128/864, 865, 128/866; 381/380, 381; 455/90.3, 575.1, 455/569.1
CPC H04R 1/10; H04R 25/00; H04R 25/02; H04R 1/1016; H04R 1/1066; H04R 5/033; H04R 5/0335; H04R 1/1058; H04R 1/105; H04R 1/1083; H04R 1/1091
See application file for complete search history.

(56) **References Cited**

U.S. PATENT DOCUMENTS

D487,077 S * 2/2004 Obata D14/223
D499,397 S * 12/2004 Hlas D14/223
D512,049 S * 11/2005 Yang D14/205
D531,169 S * 10/2006 Tokioka D14/223
D554,109 S * 10/2007 Ledbetter D14/223
D556,741 S * 12/2007 Yeo D14/205

FOREIGN PATENT DOCUMENTS

CN 305567994 * 2/2020
CN 305981034 * 8/2020

(Continued)

Primary Examiner — Paula Allen Greene

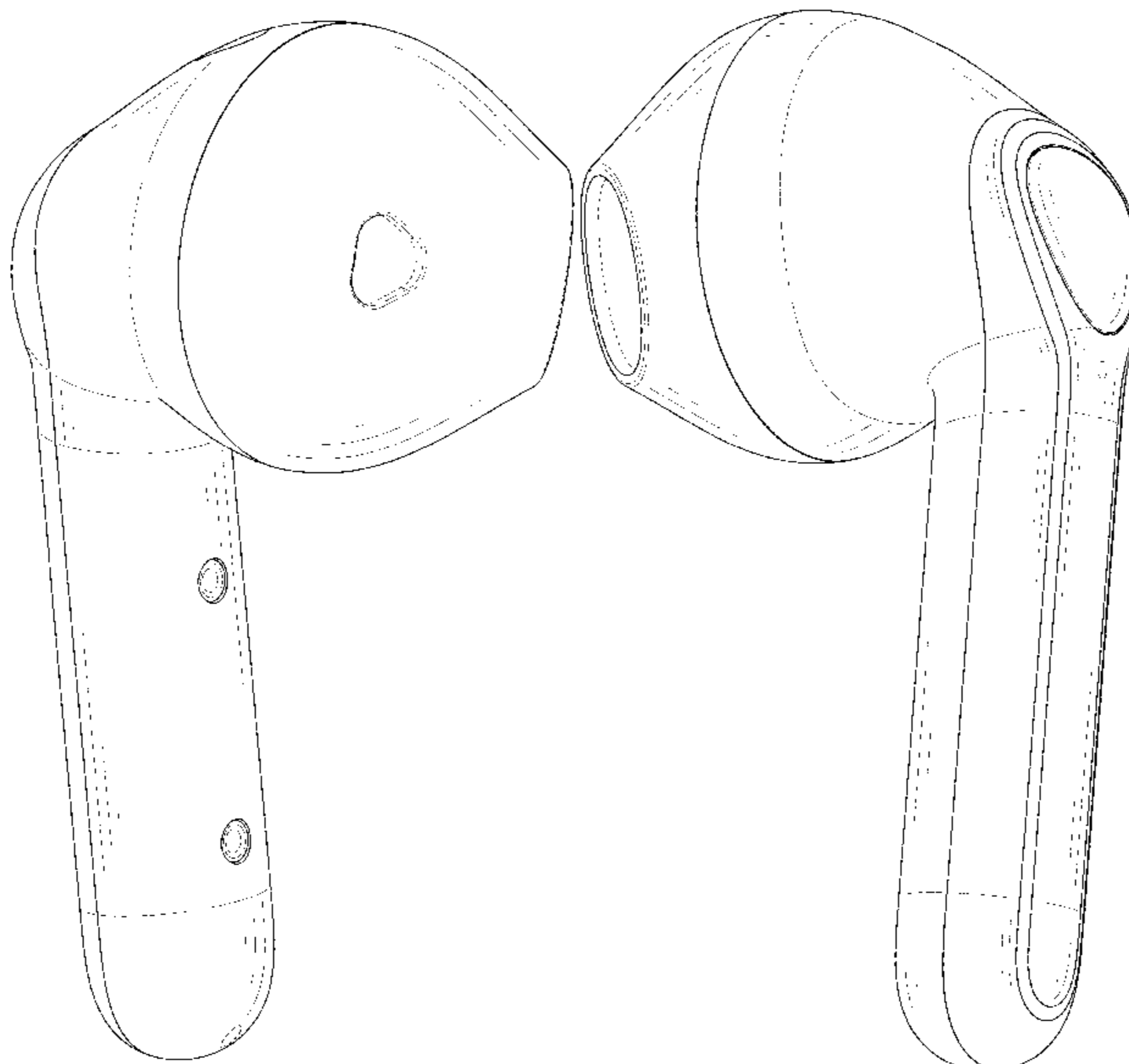
(57) **CLAIM**

The ornamental design for an earphone, as shown and described.

DESCRIPTION

FIG. 1 is a perspective view of an earphone showing my new design;
FIG. 2 is another perspective view thereof;
FIG. 3 is a front elevational view thereof;
FIG. 4 is a rear elevational view thereof;
FIG. 5 is a left side elevational view thereof;
FIG. 6 is a right side elevational view thereof;
FIG. 7 is a top plan view thereof; and,
FIG. 8 is a bottom plan view thereof.
The broken lines in the drawings depict portions of the earphone that form no part of the claimed design.

1 Claim, 8 Drawing Sheets



(56)

References Cited

U.S. PATENT DOCUMENTS

D678,251 S * 3/2013 Cantoni D14/223
 8,391,536 B2 * 3/2013 Hashimoto H04R 1/1016
 381/380
 D679,267 S * 4/2013 Lee D14/223
 D681,015 S * 4/2013 Akana H04R 1/10
 D14/223
 D686,597 S * 7/2013 Lee D14/223
 8,594,359 B2 * 11/2013 Takei H04R 1/1016
 381/380
 D698,761 S * 2/2014 Bao D14/223
 8,712,087 B2 * 4/2014 Ozawa H04R 1/1016
 381/380
 8,831,266 B1 * 9/2014 Huang H04R 1/2811
 381/380
 D718,284 S * 11/2014 Shibusawa D14/223
 D718,286 S * 11/2014 Yang D14/223
 D719,548 S * 12/2014 Thompson D14/223
 9,042,588 B2 * 5/2015 Aase H04R 1/1041
 381/380
 D733,101 S * 6/2015 Pi D14/223
 D735,699 S * 8/2015 Yasuda D14/223
 D742,860 S * 11/2015 Miyake D14/223
 D746,792 S * 1/2016 Kim D14/205
 D757,682 S * 5/2016 Perez D14/205
 D762,196 S * 7/2016 Hsieh D14/223
 D762,616 S * 8/2016 Hsieh D14/205
 D773,435 S * 12/2016 Ott D14/205
 D775,108 S 12/2016 Hsieh et al.
 D784,298 S * 4/2017 Ozawa D14/223
 D784,962 S * 4/2017 Yang D14/223
 D801,314 S * 10/2017 Akana D14/223
 D802,562 S * 11/2017 Baba D14/223
 D803,184 S * 11/2017 Loh Jun Kern D14/205
 D813,844 S * 3/2018 Stiff D14/223
 D820,809 S * 6/2018 Akana D14/205
 D822,009 S * 7/2018 Matoba D14/223
 D829,193 S 9/2018 Cai
 D830,336 S * 10/2018 Cai D14/205
 D830,345 S * 10/2018 Cai D14/223
 D831,619 S * 10/2018 Matoba D14/223
 D832,823 S * 11/2018 Xiao D14/223
 D832,824 S * 11/2018 Kim D14/223
 D847,125 S * 4/2019 Akana D14/223

D847,794 S * 5/2019 Guo D14/223
 D848,980 S * 5/2019 Kim D14/223
 D848,982 S * 5/2019 Kim D14/223
 D853,995 S * 7/2019 Cai D14/223
 D861,647 S * 10/2019 Chen D14/223
 D864,165 S * 10/2019 Roberts D14/223
 D864,169 S * 10/2019 Min D14/223
 D869,445 S * 12/2019 Hu D14/223
 D877,722 S * 3/2020 Yang D14/223
 D878,337 S * 3/2020 Yang D14/223
 D883,260 S * 5/2020 Hu D14/223
 D883,960 S * 5/2020 Du D14/223
 D884,682 S * 5/2020 Du D14/223
 D885,373 S * 5/2020 Lundback D14/223
 D887,396 S * 6/2020 Wang D14/223
 D888,690 S * 6/2020 Yan D14/223
 D888,691 S * 6/2020 Liu D14/223
 D889,436 S * 7/2020 Zhang D14/223
 D889,437 S * 7/2020 Ando D14/223
 D890,138 S * 7/2020 Peng D14/223
 D890,724 S * 7/2020 Li D14/223
 D893,462 S * 8/2020 Liu D14/223
 D895,579 S * 9/2020 Yang D14/223
 D895,582 S * 9/2020 Wu D14/223
 D896,206 S * 9/2020 Xu D14/223
 D896,207 S * 9/2020 He D14/223
 D897,997 S * 10/2020 Zhang D14/223
 D897,998 S * 10/2020 Ma D14/223
 2009/0136074 A1 * 5/2009 Chang H04R 1/06
 381/380
 2012/0003937 A1 * 1/2012 Zhong H04M 1/6066
 455/41.3
 2012/0237074 A1 * 9/2012 Aase H04R 1/1075
 381/380
 2013/0004011 A1 * 1/2013 Hayashida H04R 1/345
 381/380
 2015/0382100 A1 * 12/2015 Azmi H04R 1/2811
 381/380
 2017/0026738 A1 * 1/2017 Tang H04R 1/1091
 2020/0068283 A1 * 2/2020 Chou H04R 1/1025

FOREIGN PATENT DOCUMENTS

CN 305989032 * 8/2020
 EM 0066902277-0001 * 8/2019

* cited by examiner

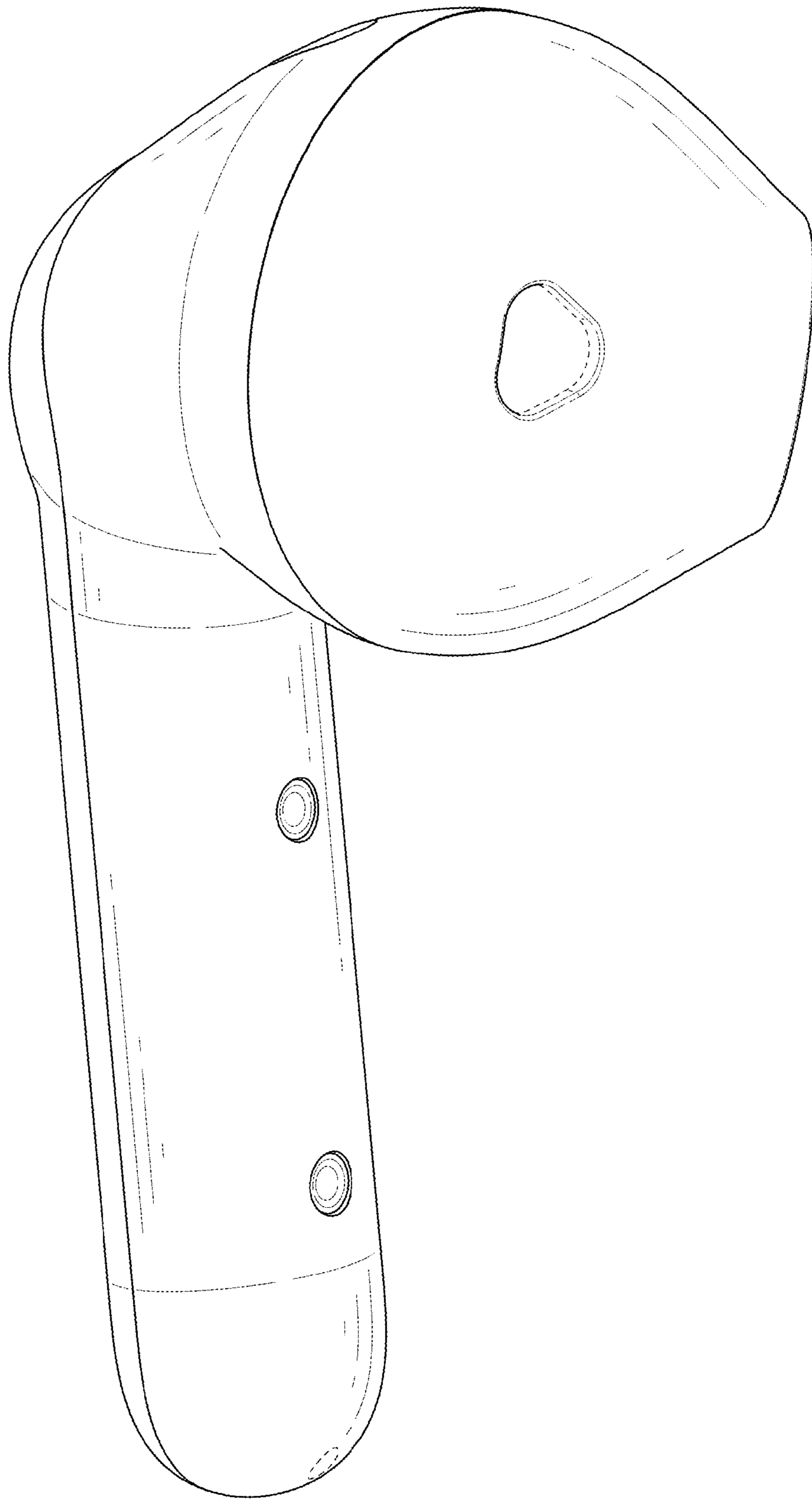


FIG. 1

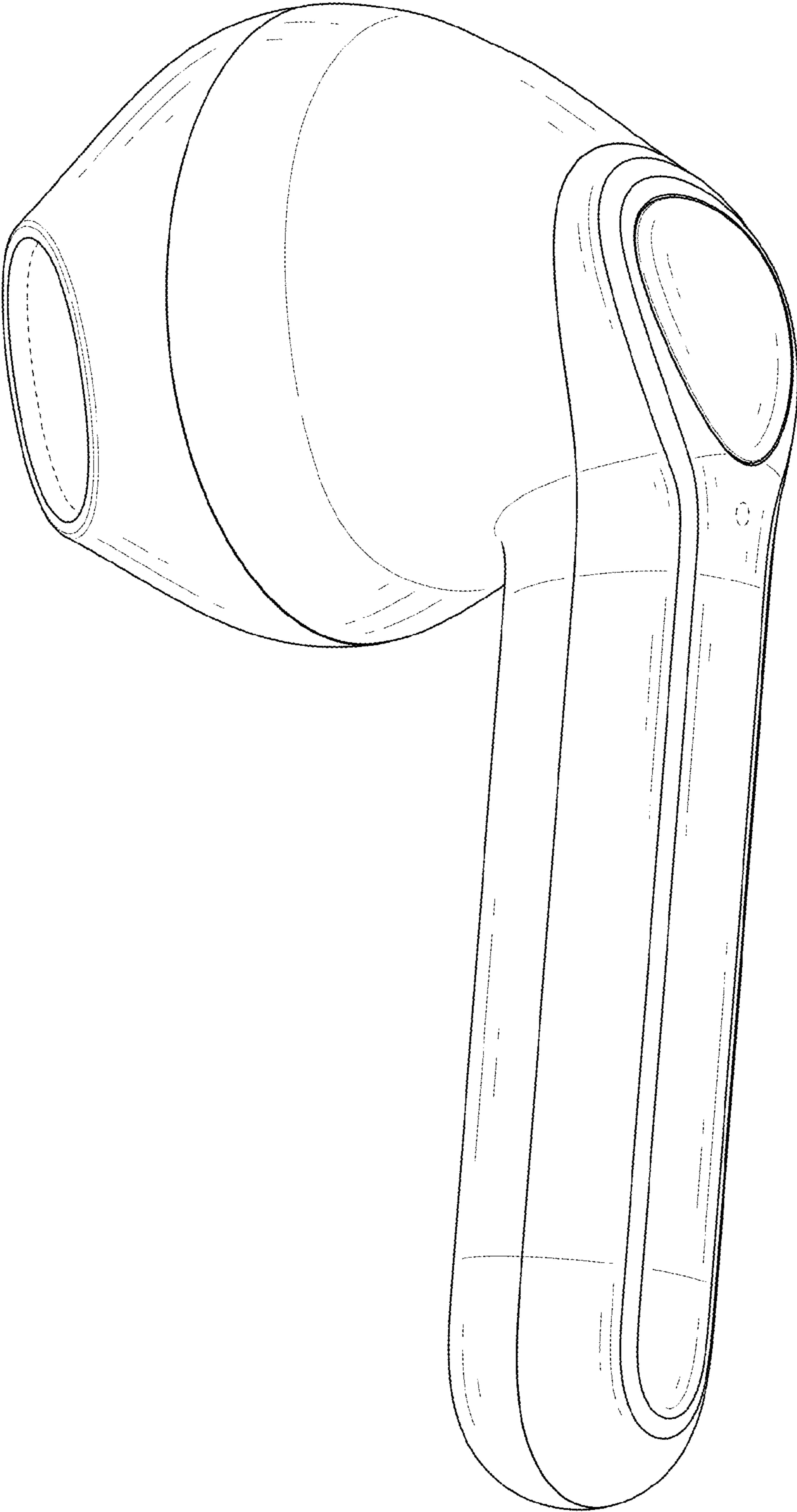


FIG. 2

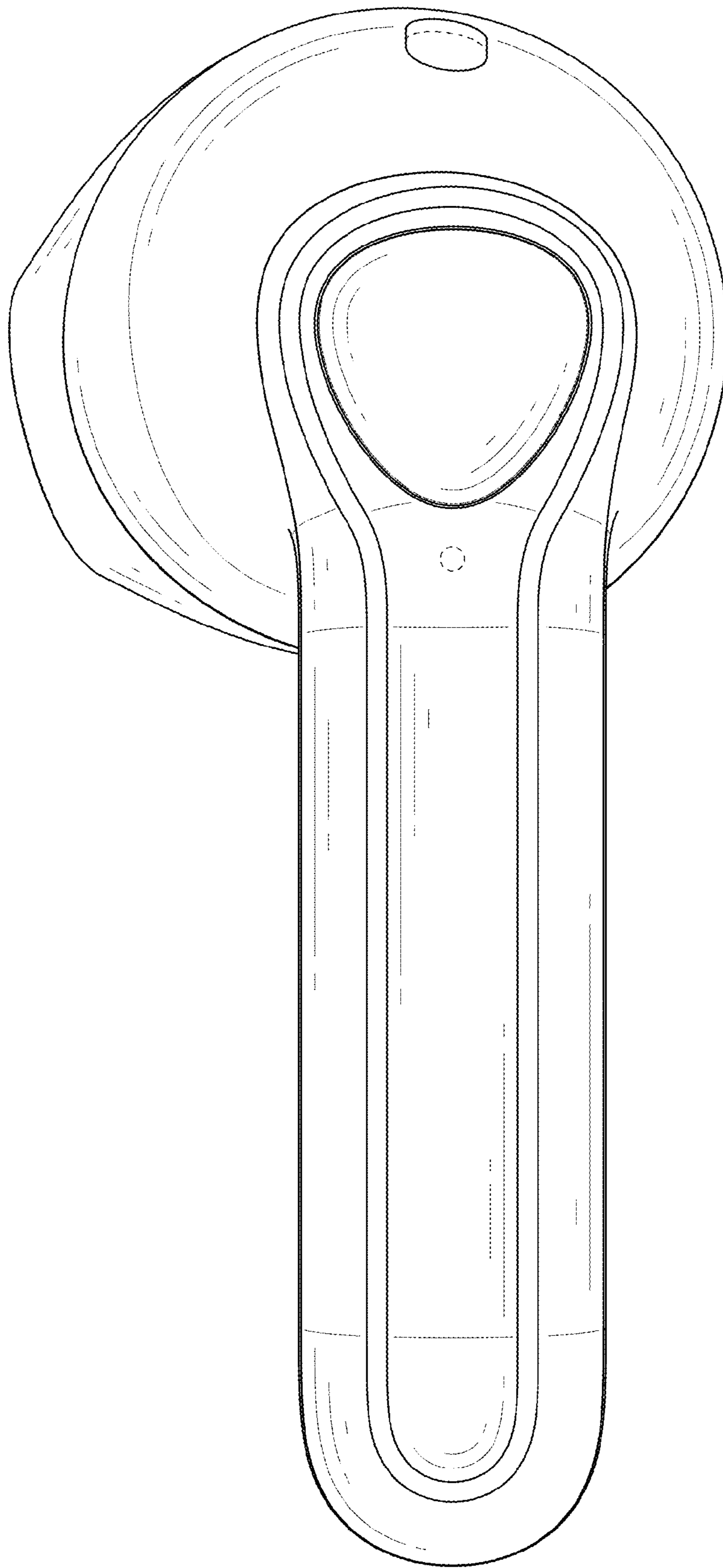


FIG. 3

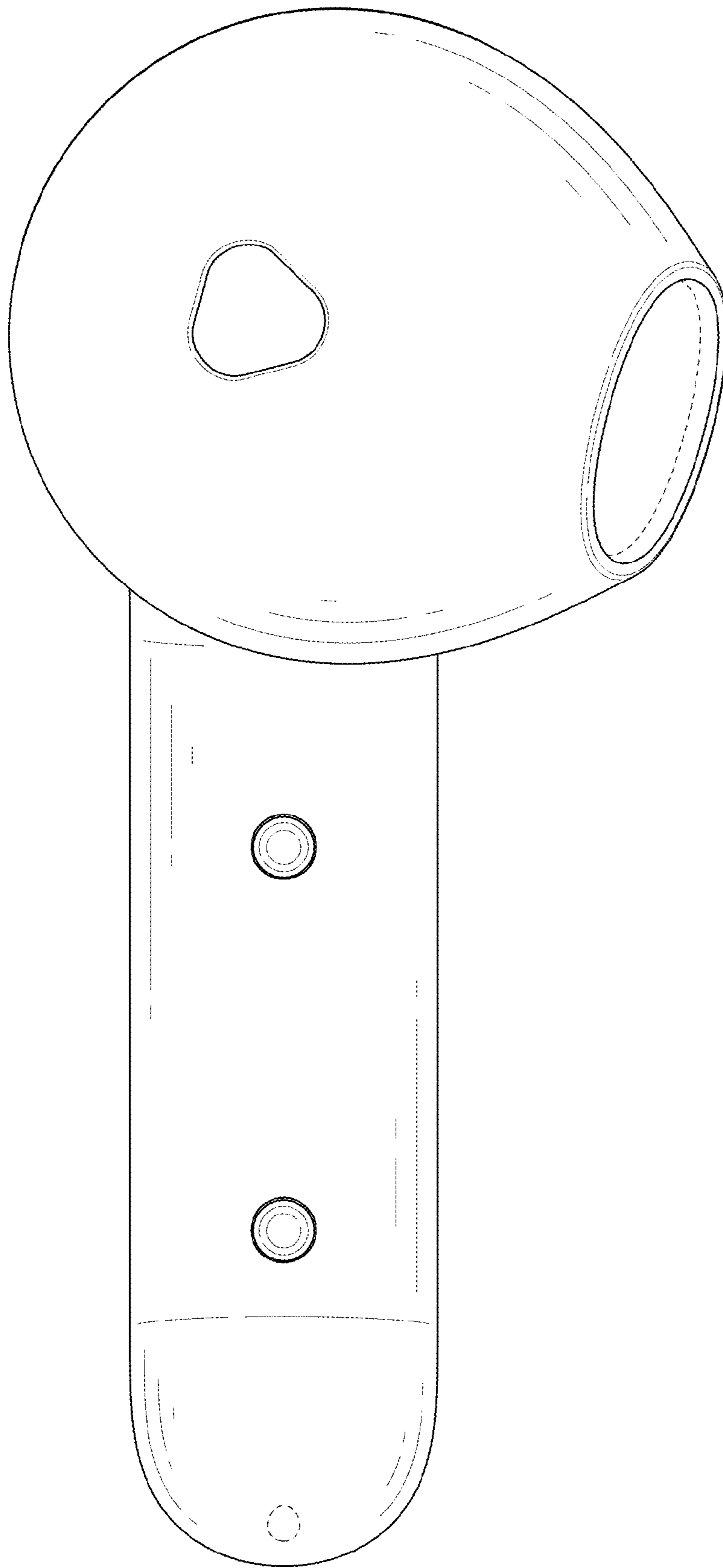


FIG. 4

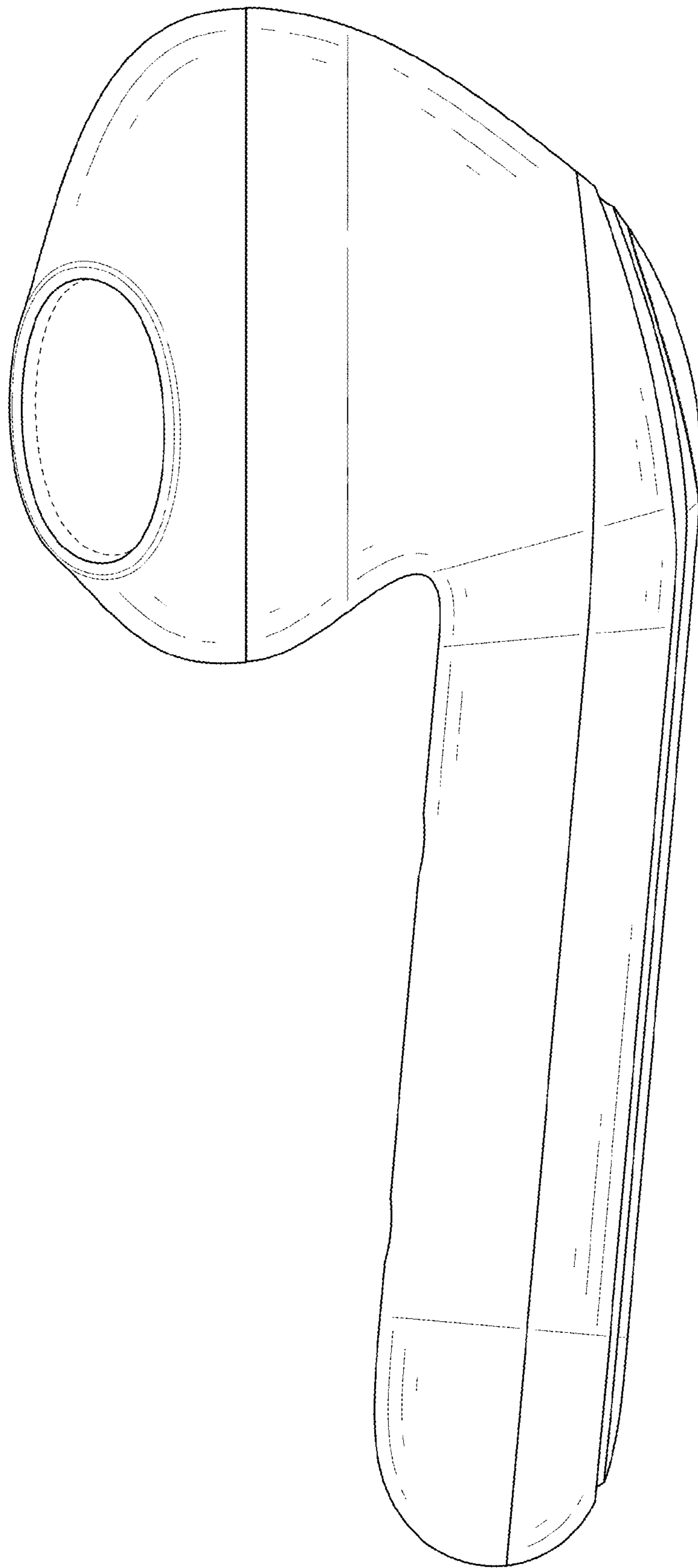


FIG. 5

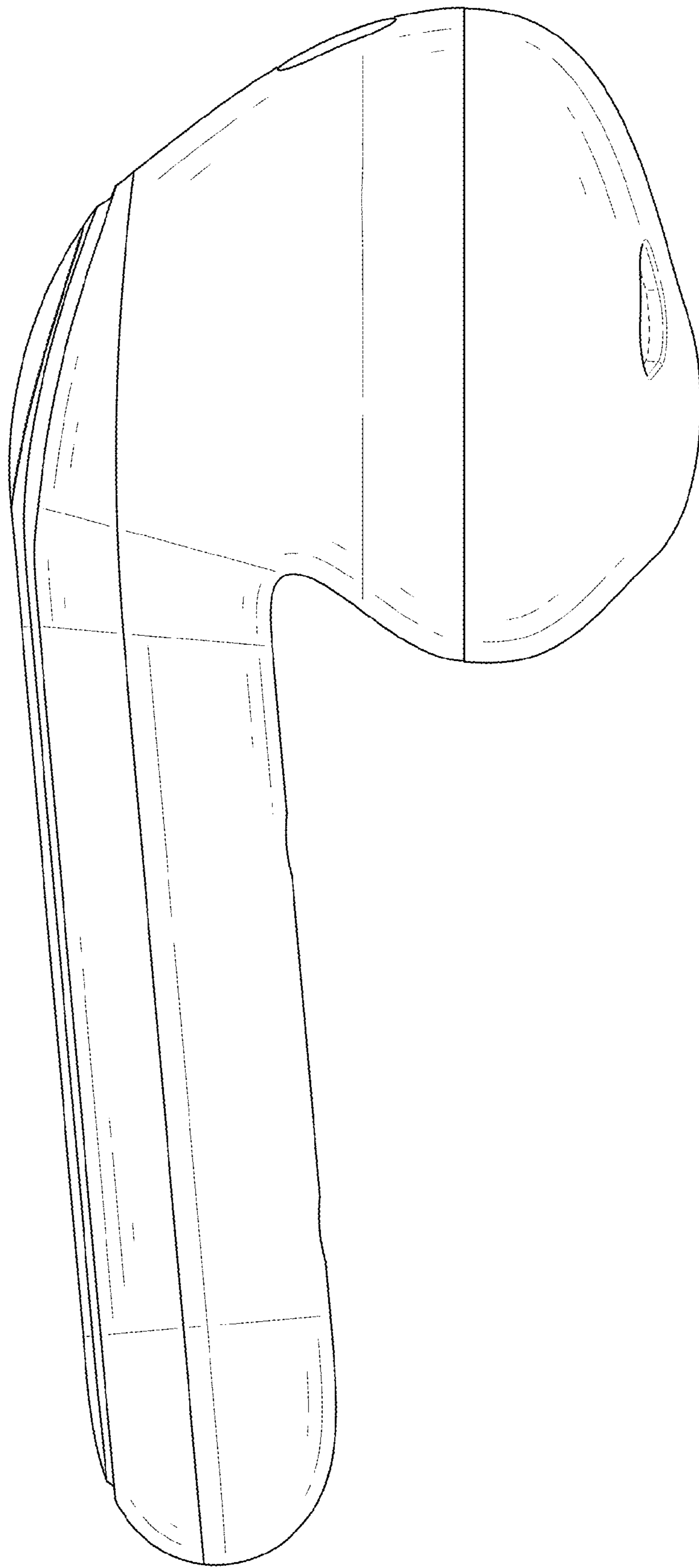


FIG. 6

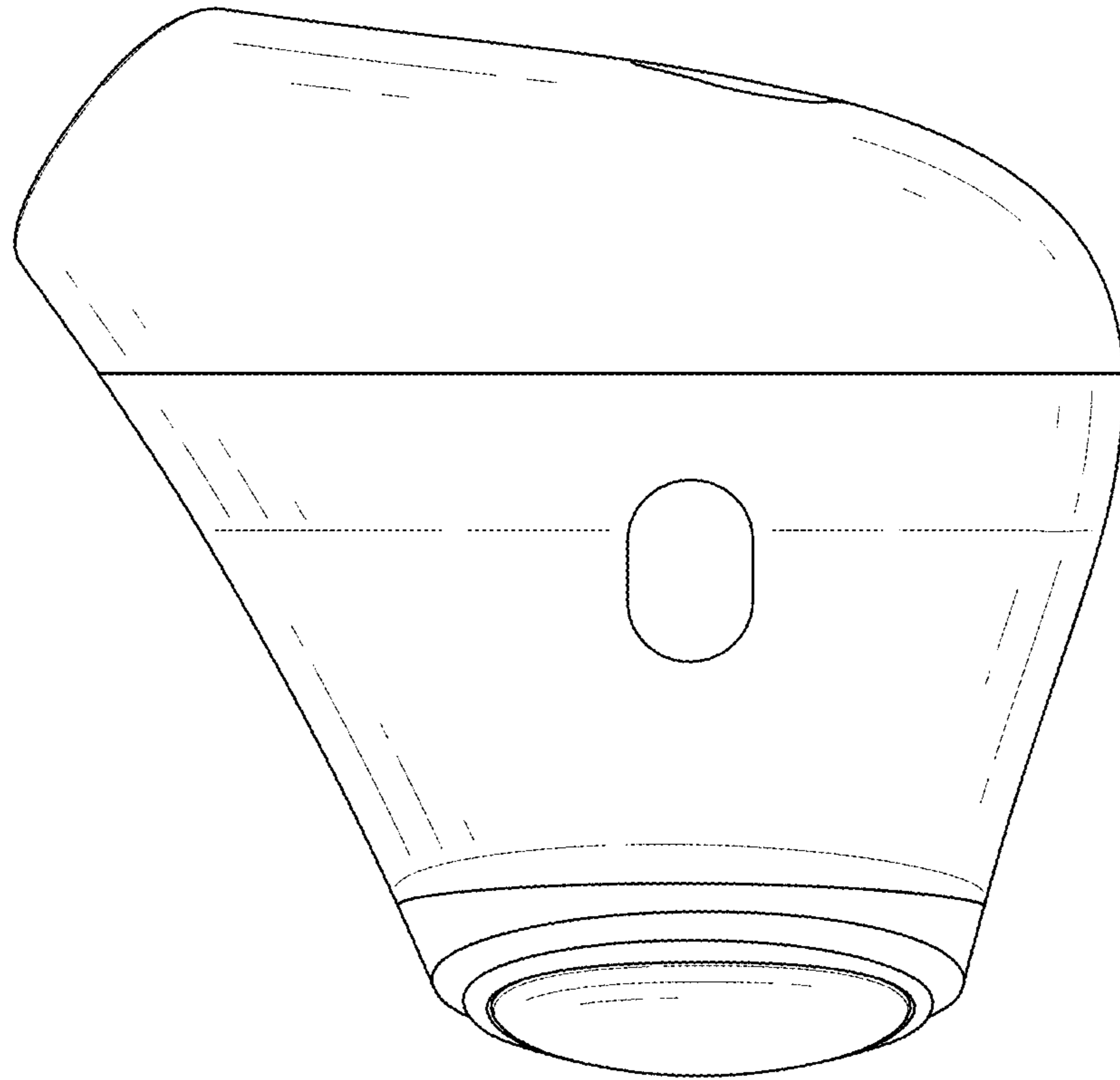


FIG. 7

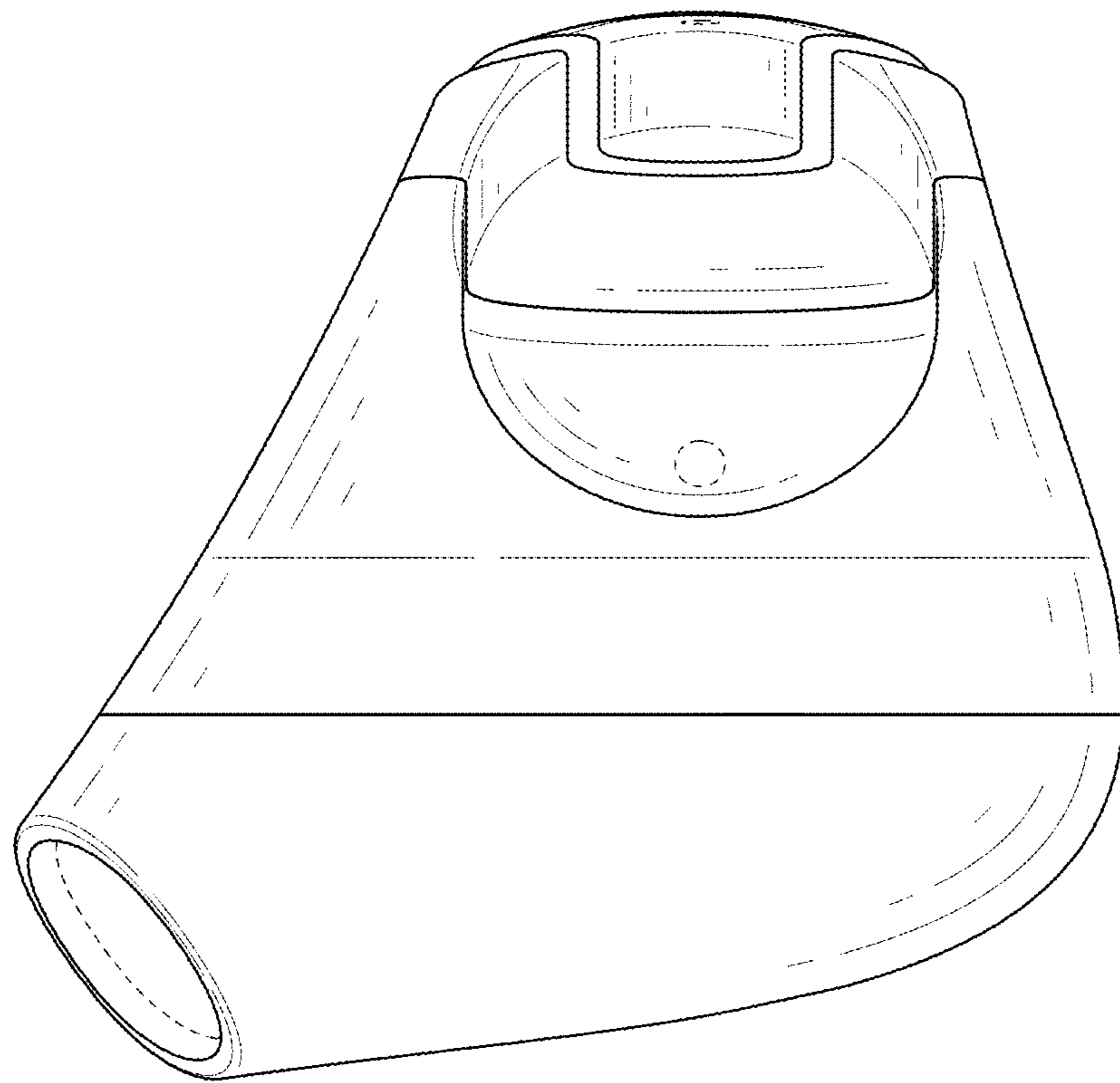


FIG. 8