



US00D903638S

(12) **United States Design Patent**  
**Li**

(10) **Patent No.:** **US D903,638 S**

(45) **Date of Patent:** **\*\* Dec. 1, 2020**

(54) **EARPHONE**

(71) Applicant: **SHENZHEN SHI KISB ELECTRONIC CO., LTD.**, Shenzhen (CN)

(72) Inventor: **Yongli Li**, Shenzhen (CN)

(\*\*) Term: **15 Years**

(21) Appl. No.: **29/700,618**

(22) Filed: **Aug. 3, 2019**

(30) **Foreign Application Priority Data**

Jun. 6, 2019 (CN) ..... 2019 3 0292247

(51) **LOC (12) Cl.** ..... **14-01**

(52) **U.S. Cl.**  
USPC ..... **D14/223**

(58) **Field of Classification Search**  
USPC ..... D14/223, 205, 206; D24/174; 128/864, 128/865, 866; 181/129, 130, 135; 379/430, 431; 381/380, 381, 322-324, 381/330; 455/90.3, 575, 1, 569.1  
CPC ..... H04R 1/10; H04R 25/00; H04R 1/1016; H04R 1/1066; H04R 5/033; H04R 5/0335; H04R 1/1091; H04R 1/1058; H04R 1/105; H04R 1/1083  
See application file for complete search history.

(56) **References Cited**

**U.S. PATENT DOCUMENTS**

D687,021 S \* 7/2013 Yuen ..... D14/223  
D773,439 S \* 12/2016 Walker ..... D14/223

10,104,487 B2 \* 10/2018 Kingscott ..... G01R 31/2822  
D845,932 S \* 4/2019 Lu ..... D14/223  
D847,126 S \* 4/2019 Loermann ..... D14/223  
10,455,313 B2 \* 10/2019 Boesen ..... H04R 3/04  
D868,752 S \* 12/2019 Zhu ..... D14/223  
10,582,328 B2 \* 3/2020 Milevski ..... G11B 20/10527  
10,587,943 B2 \* 3/2020 Boesen ..... H02J 50/10  
10,598,506 B2 \* 3/2020 Ilse ..... G01C 21/3629  
D883,958 S \* 5/2020 Liu ..... D14/223  
D893,461 S \* 8/2020 Gu ..... D14/223  
D895,580 S \* 9/2020 Yu ..... D14/223

\* cited by examiner

*Primary Examiner* — Katie Jane Stofko

(74) *Attorney, Agent, or Firm* — W&K IP

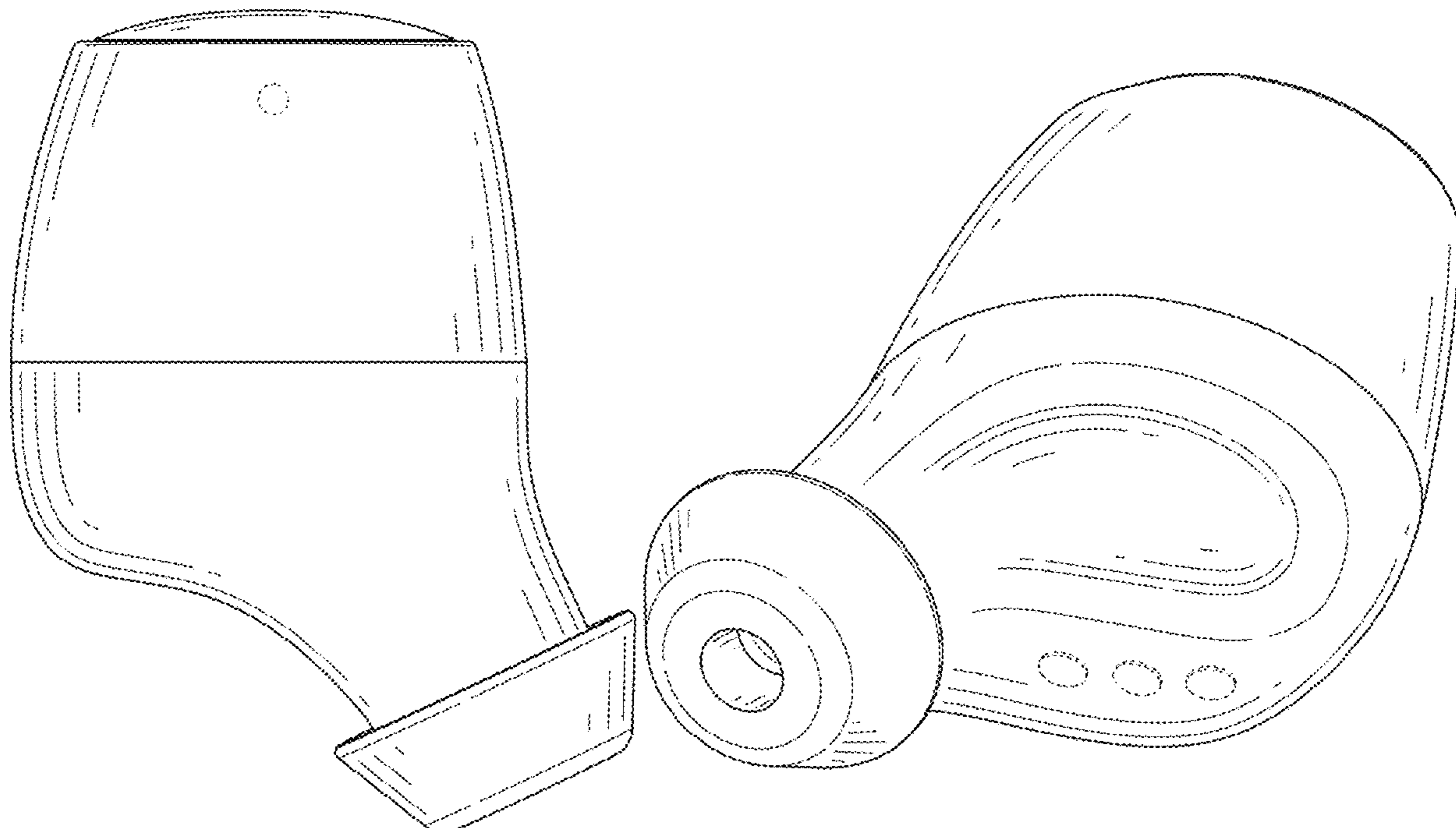
(57) **CLAIM**

The ornamental design for an earphone, as shown and described.

**DESCRIPTION**

FIG. 1 is a front elevational view of an earphone showing my new design;  
FIG. 2 is a rear elevational view thereof;  
FIG. 3 is a left side view thereof;  
FIG. 4 is a right side view thereof;  
FIG. 5 is a top plan view thereof;  
FIG. 6 is a bottom plan view thereof;  
FIG. 7 is a bottom and rear side perspective view thereof; and,  
FIG. 8 is a top, front and left side perspective view thereof. The broken lines shown in FIGS. 1, 2 and 4-8 illustrate portions of the earphone that form no part of the claimed design.

**1 Claim, 8 Drawing Sheets**



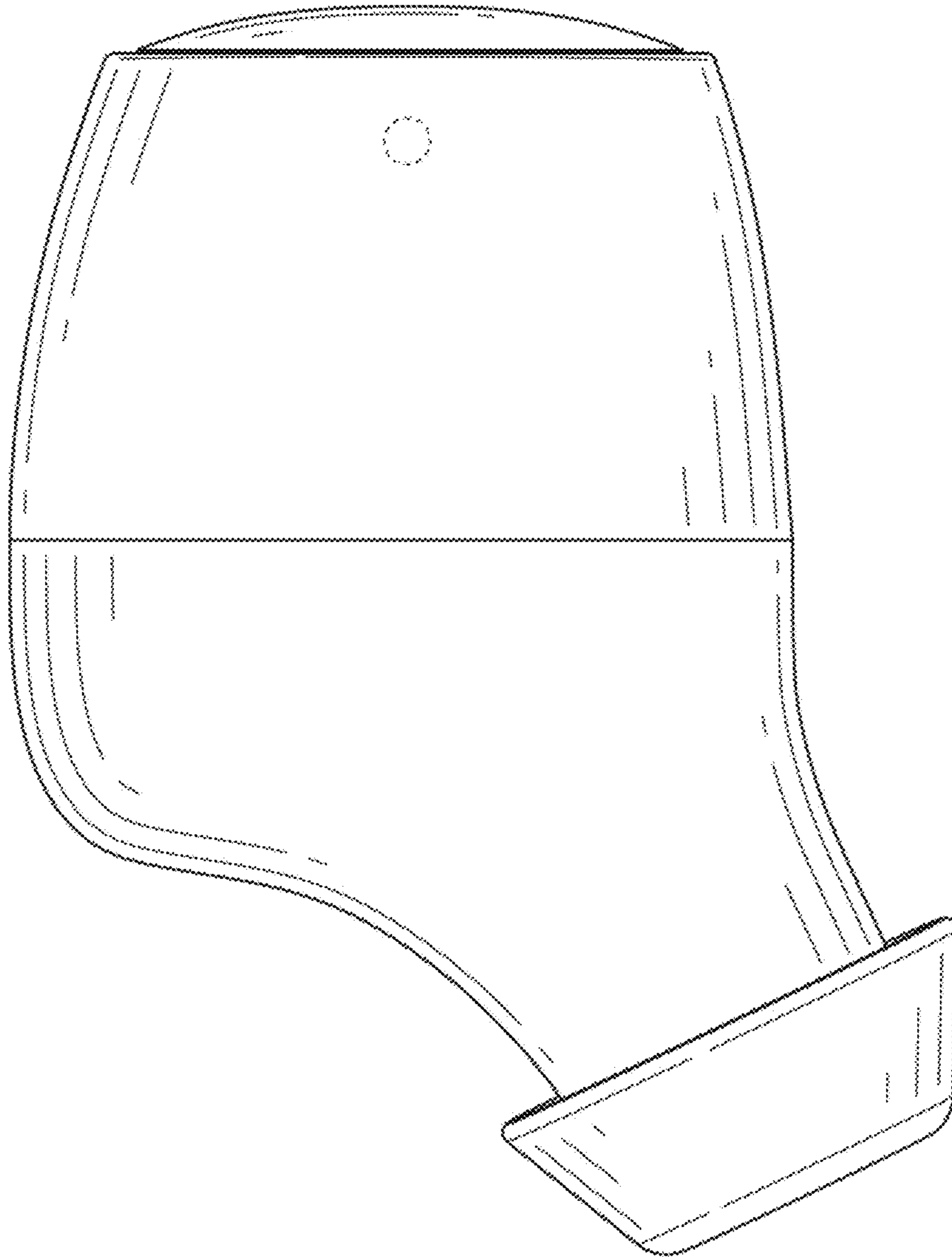


FIG. 1

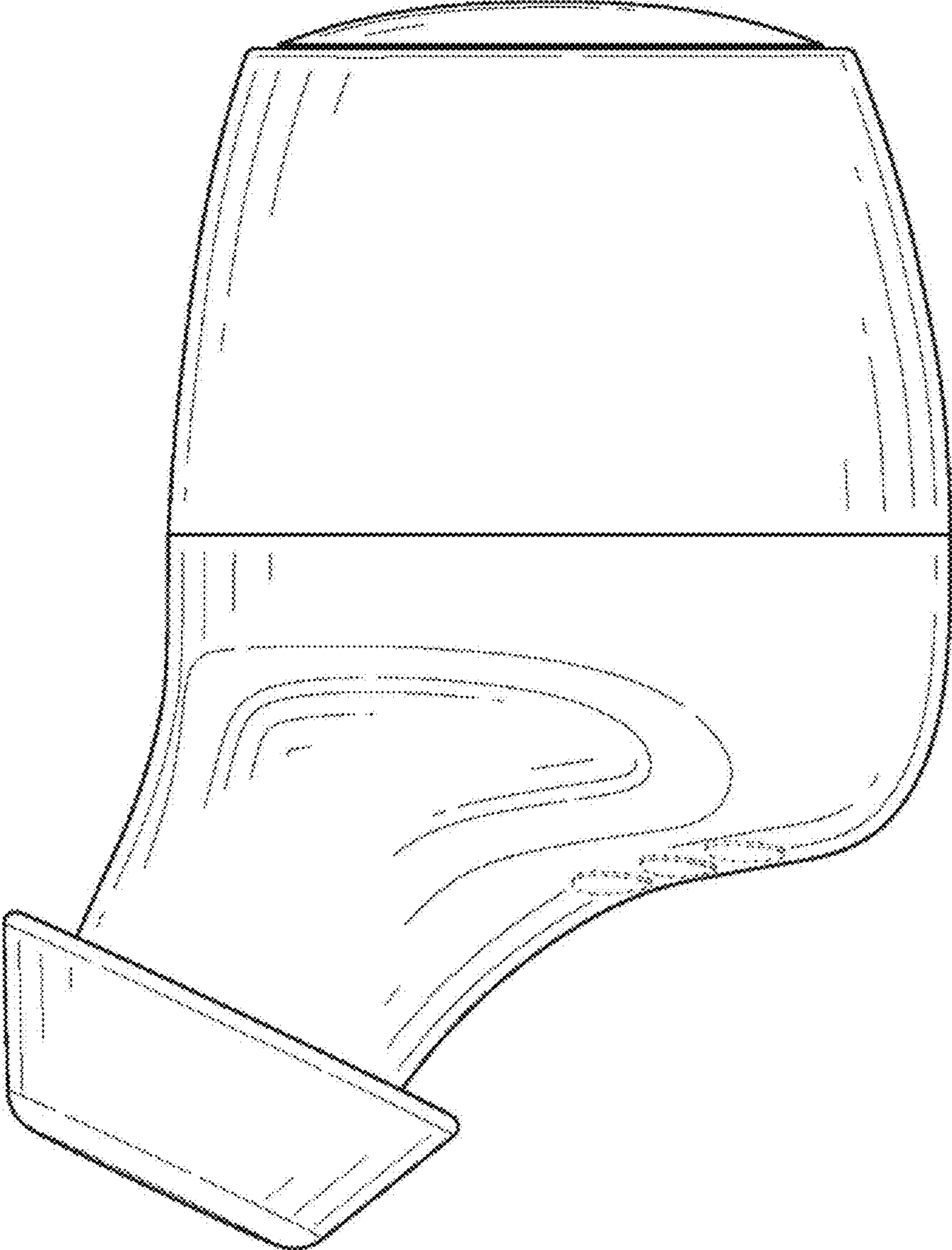


FIG. 2

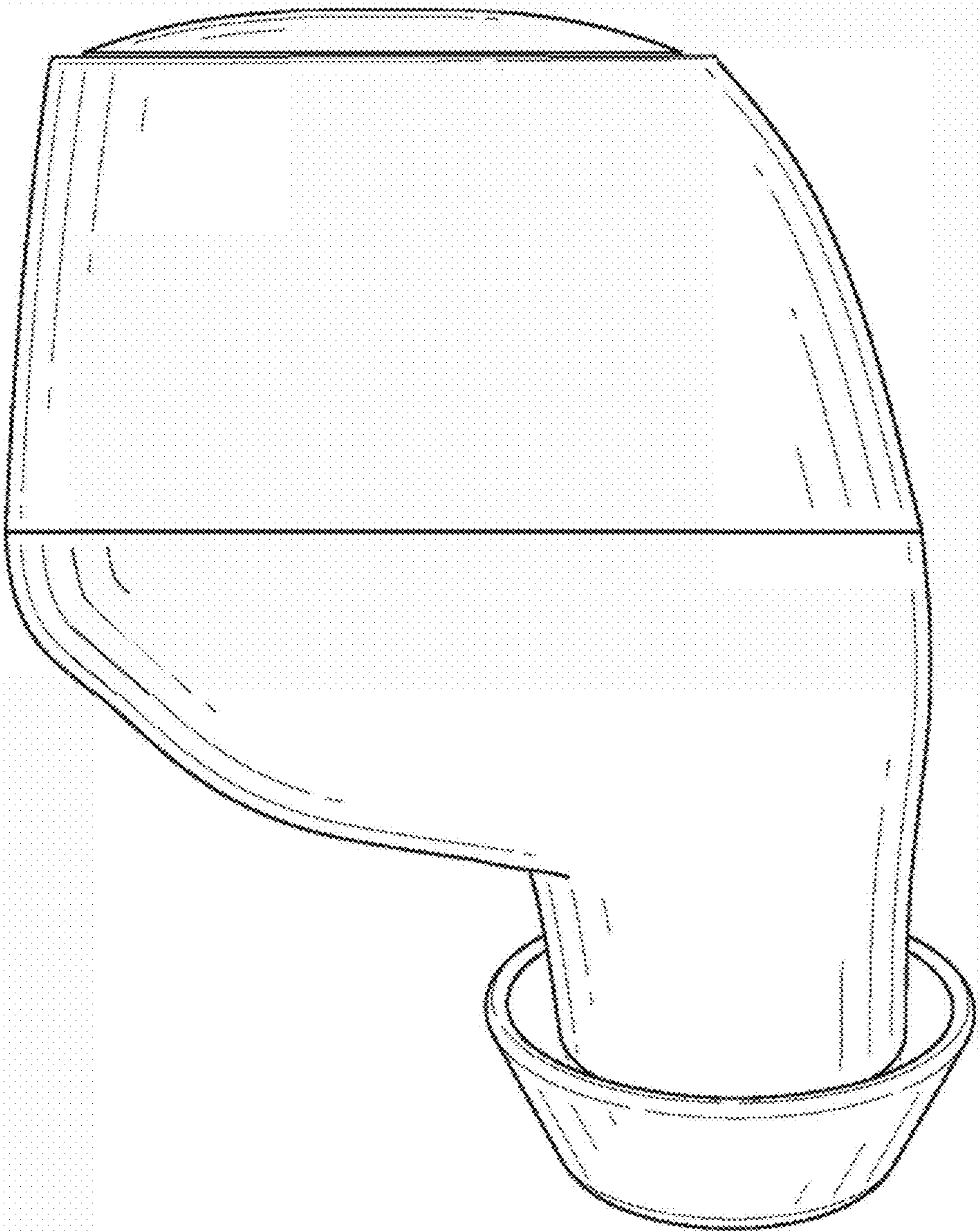


FIG. 3

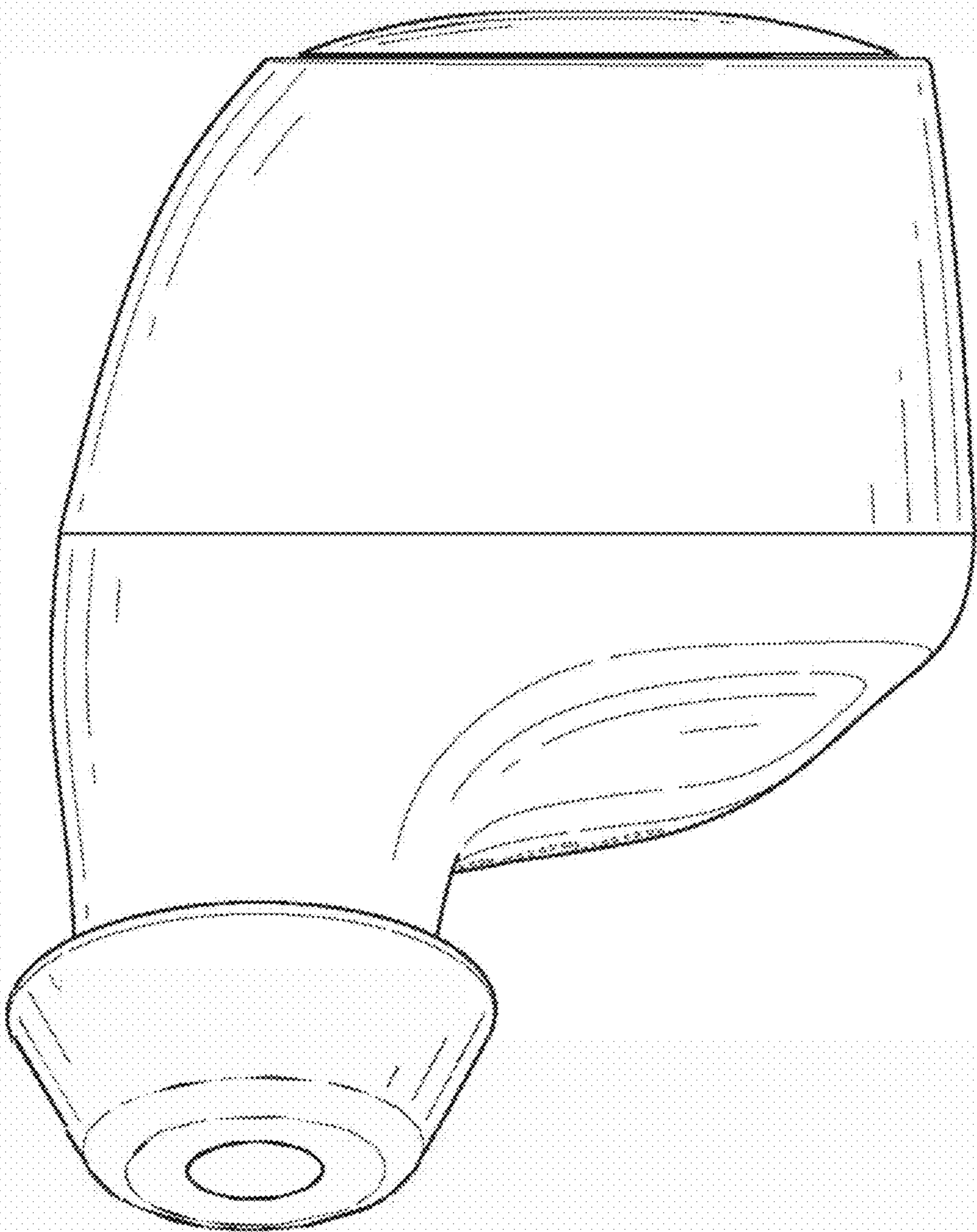


FIG. 4

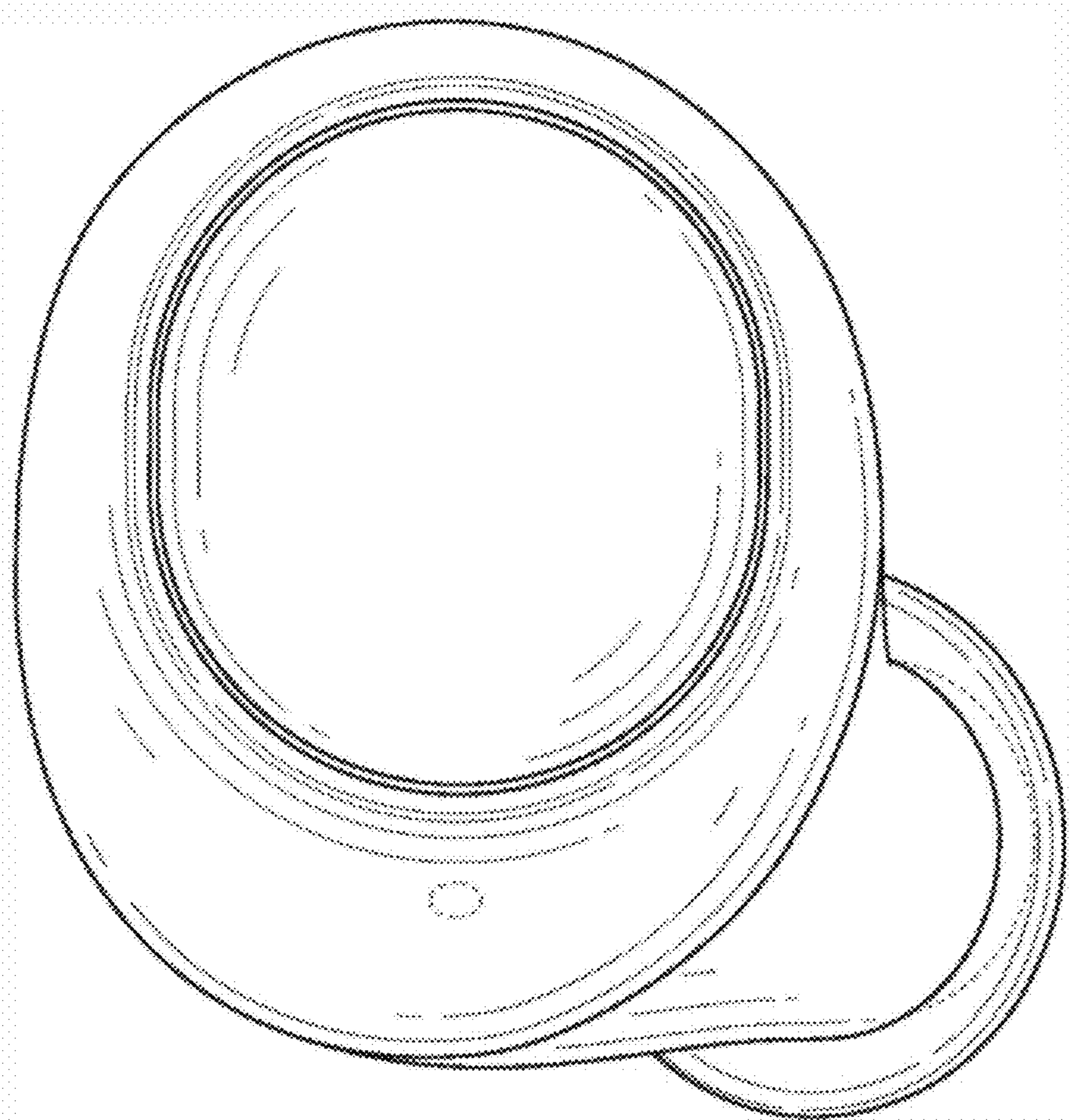


FIG. 5

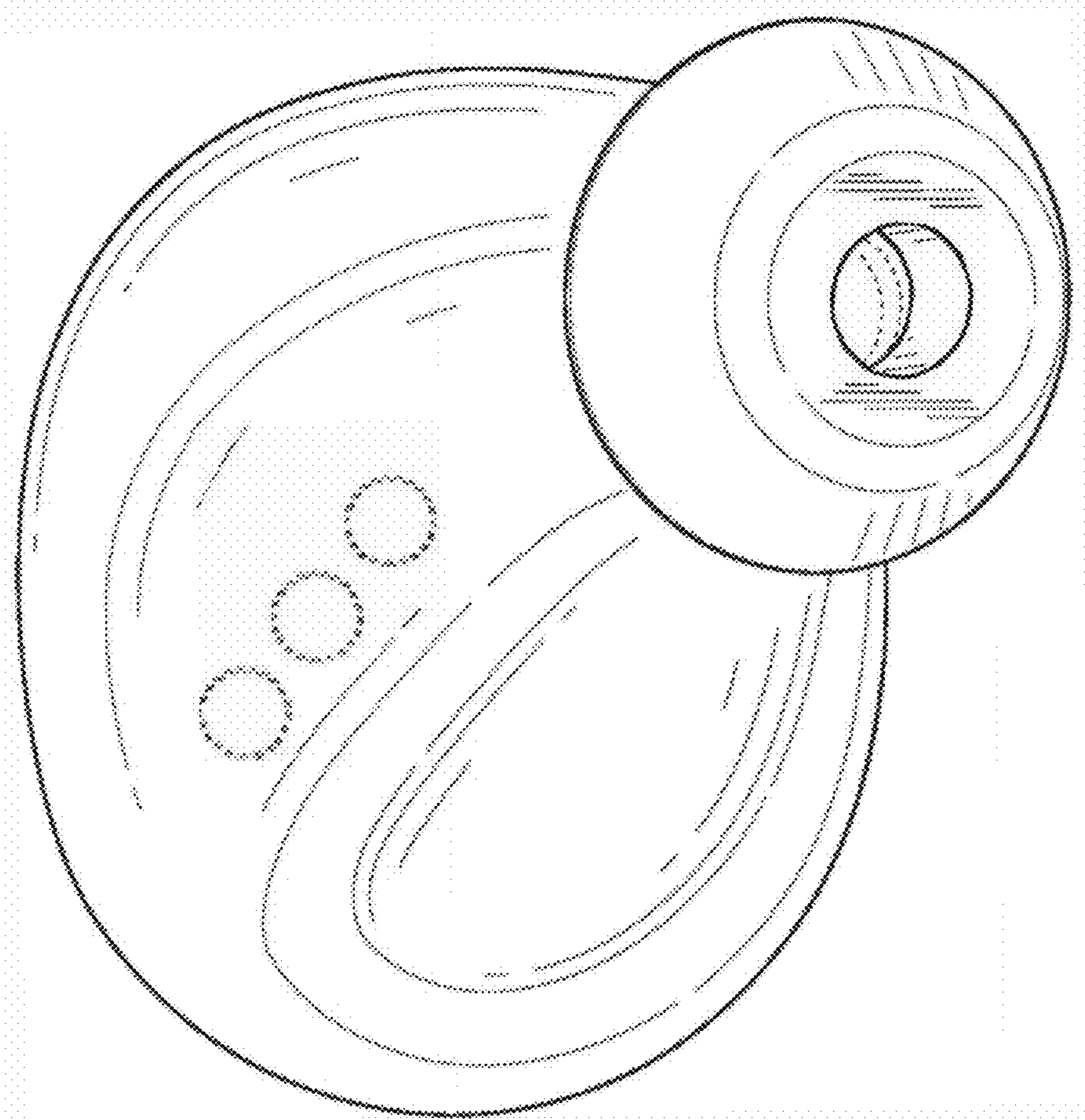


FIG. 6

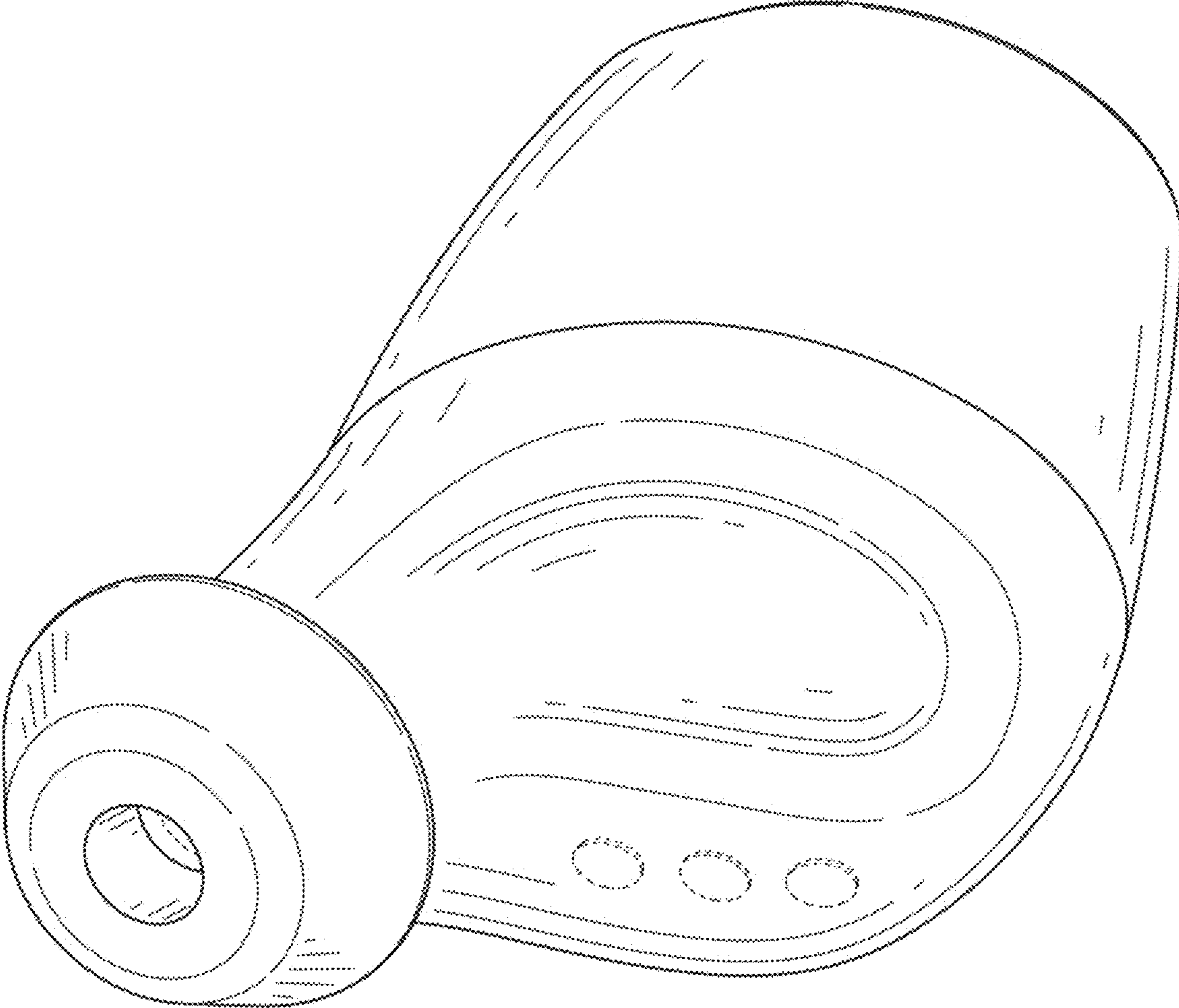


FIG. 7



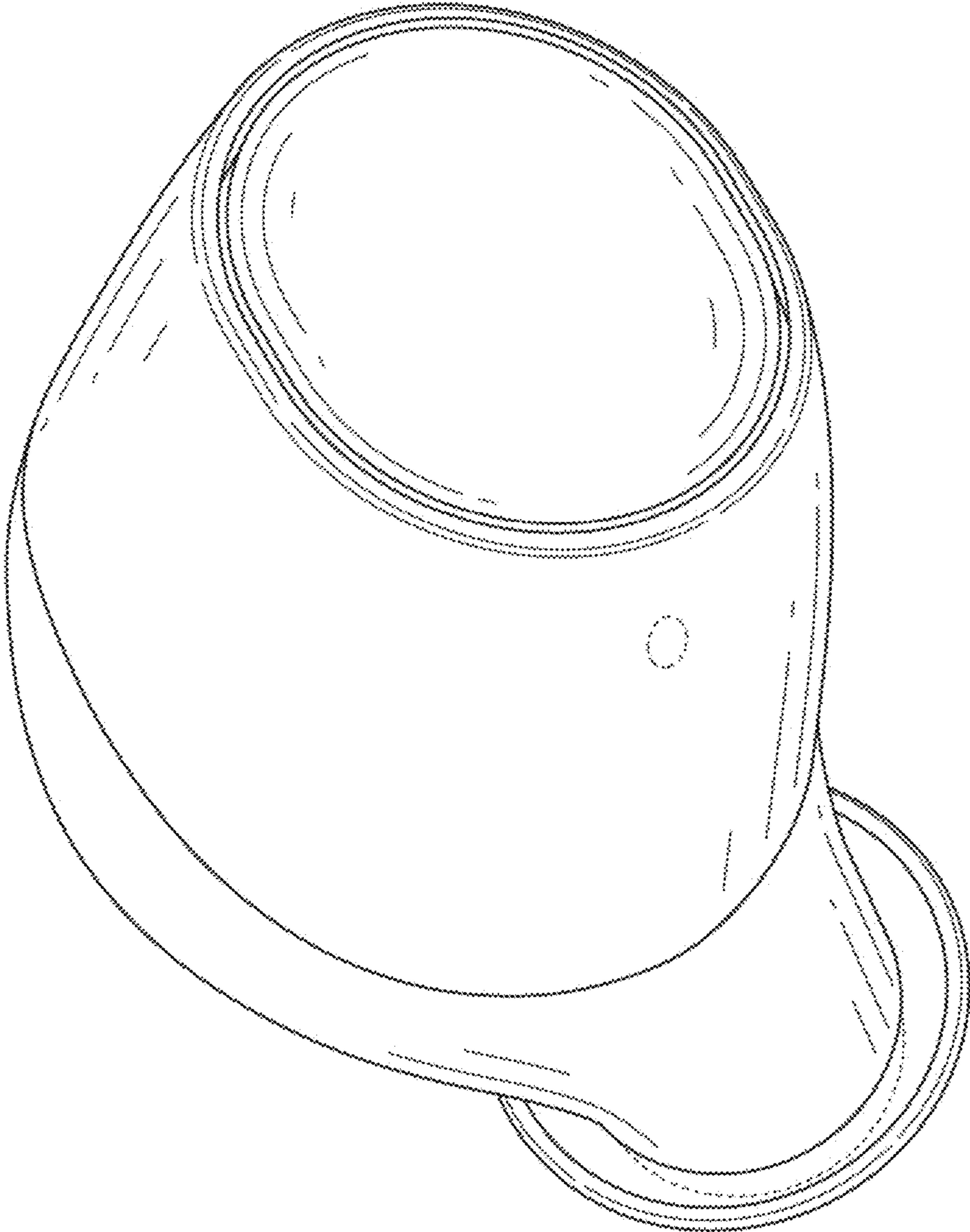


FIG. 8