



US00D903637S

(12) **United States Design Patent**
Liu

(10) **Patent No.:** **US D903,637 S**

(45) **Date of Patent:** **** Dec. 1, 2020**

(54) **WIRELESS SPEAKER**

(71) Applicant: **Volant Roc Electronics Tech Co., Ltd.,**
Guangdong (CN)

(72) Inventor: **Jianbo Liu,** Guangdong (CN)

(73) Assignee: **Volant Roc Electronics Tech Co., Ltd.,**
Huizhou (CN)

(**) Term: **15 Years**

(21) Appl. No.: **29/691,551**

(22) Filed: **May 16, 2019**

(30) **Foreign Application Priority Data**

Mar. 13, 2019 (CN) 2019 3 0101050

(51) **LOC (12) Cl.** **14-01**

(52) **U.S. Cl.**
USPC **D14/214**

(58) **Field of Classification Search**
USPC D14/167, 168, 170–172, 188, 194–196,
D14/204, 209.1, 210–216, 219, 221, 222,
D14/224, 239, 496

CPC B60R 11/0217; G06F 1/1688; G10K 9/22;
G10K 11/004; H03F 1/327; H04M 1/03;
H04M 1/035; H04N 5/642; H04N
21/4852; H04R 1/02; H04R 1/06; H04R
1/021; H04R 1/025; H04R 1/026; H04R
1/028; H04R 1/105; H04R 1/323; H04R
1/403; H04R 1/2803; H04R 1/2834;
H04R 5/02; H04R 7/20; H04R 9/06;
H04R 9/025; H04R 2201/021; H04R
2400/00; H04R 2201/07; H04R 2499/11;
H04R 2499/13; H04R 2499/15; H04S
3/00; H04S 7/30

See application file for complete search history.

(56) **References Cited**

U.S. PATENT DOCUMENTS

D711,354 S *	8/2014	Florczak	D14/216
D755,160 S *	5/2016	Ponce	D14/214
D758,993 S *	6/2016	Shi	D14/214
D767,534 S *	9/2016	Xiong	D14/214
D803,189 S *	11/2017	Cheney	D14/214
D813,198 S *	3/2018	Lin	D14/214
D822,000 S *	7/2018	Lin	D14/214
D838,686 S *	1/2019	Cheney	D14/204
D840,966 S *	2/2019	Cheney	D14/204
D858,485 S *	9/2019	Xiao	D14/214
D870,703 S *	12/2019	Yu	D14/214
D881,834 S *	4/2020	Sabbag	D14/188
D886,797 S *	6/2020	Wang	D14/204

* cited by examiner

Primary Examiner — Keli L Hill

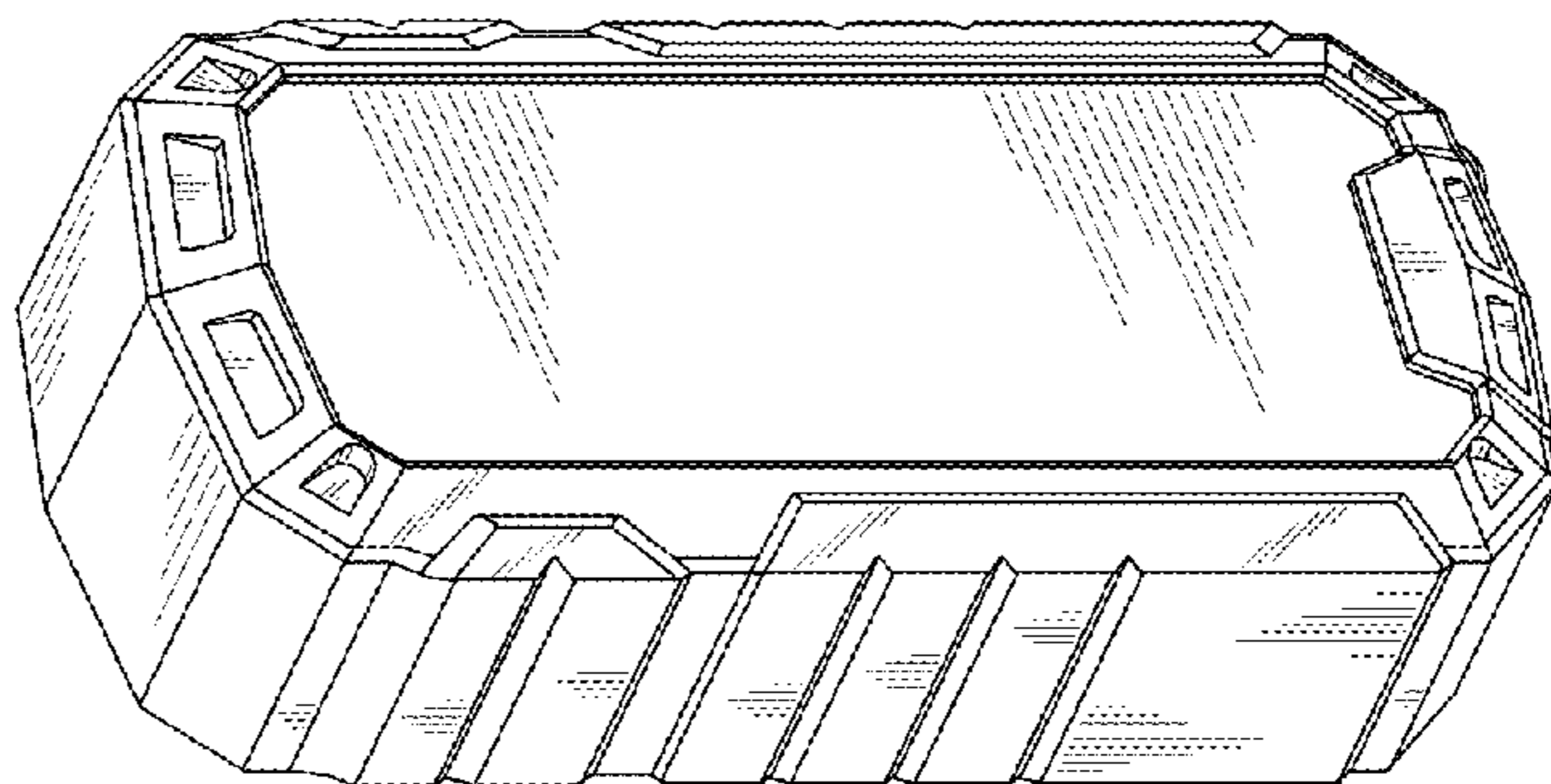
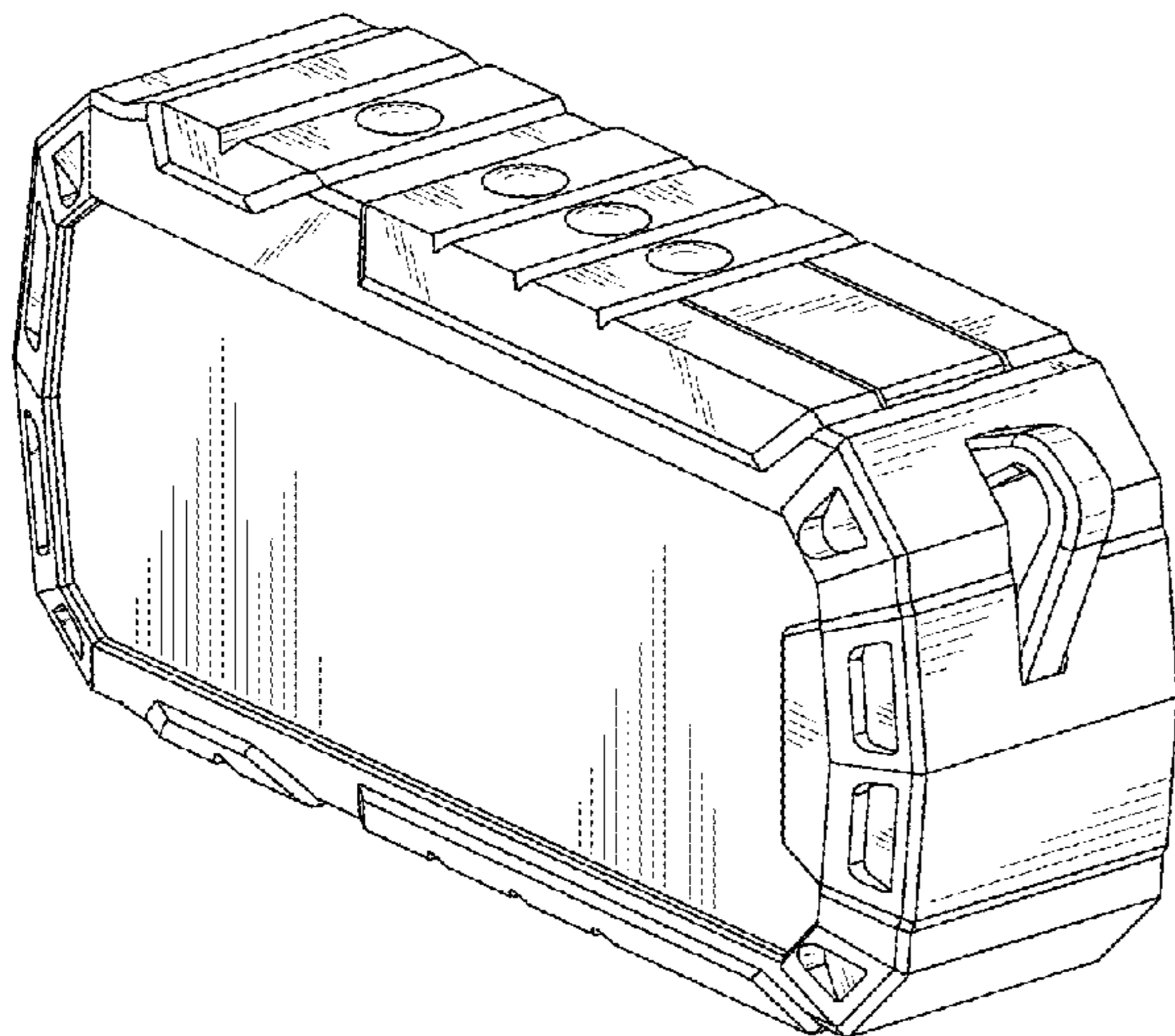
(57) **CLAIM**

The ornamental design for a wireless speaker, as shown and described.

DESCRIPTION

FIG. 1 is a front elevational view of a wireless speaker showing my new design;
FIG. 2 is a rear elevational view thereof;
FIG. 3 is a left side view thereof;
FIG. 4 is a right side view thereof;
FIG. 5 is a top plan view thereof;
FIG. 6 is a bottom plan view thereof;
FIG. 7 is a top, front and right side perspective view thereof;
and,
FIG. 8 is a bottom, front and left side perspective view thereof.

1 Claim, 3 Drawing Sheets



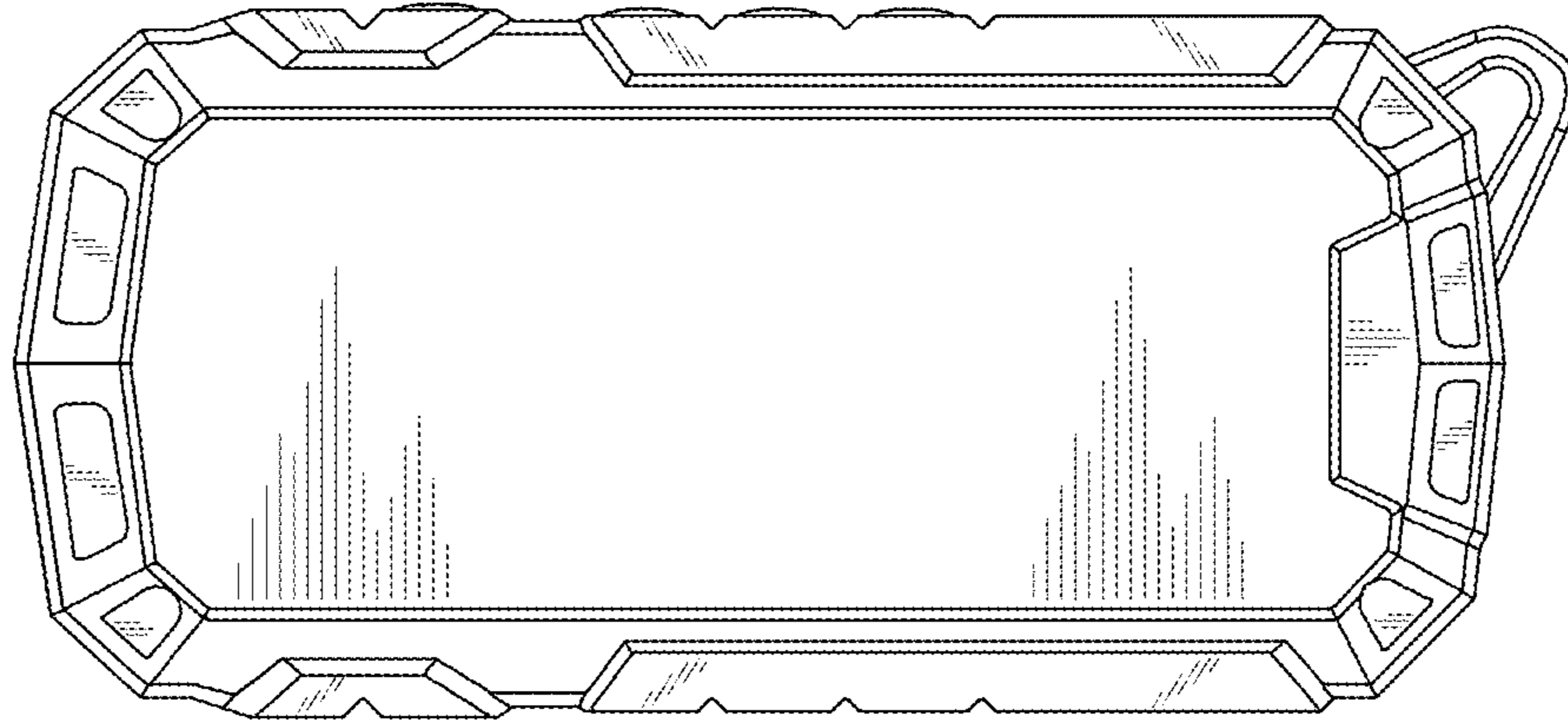


FIG.1

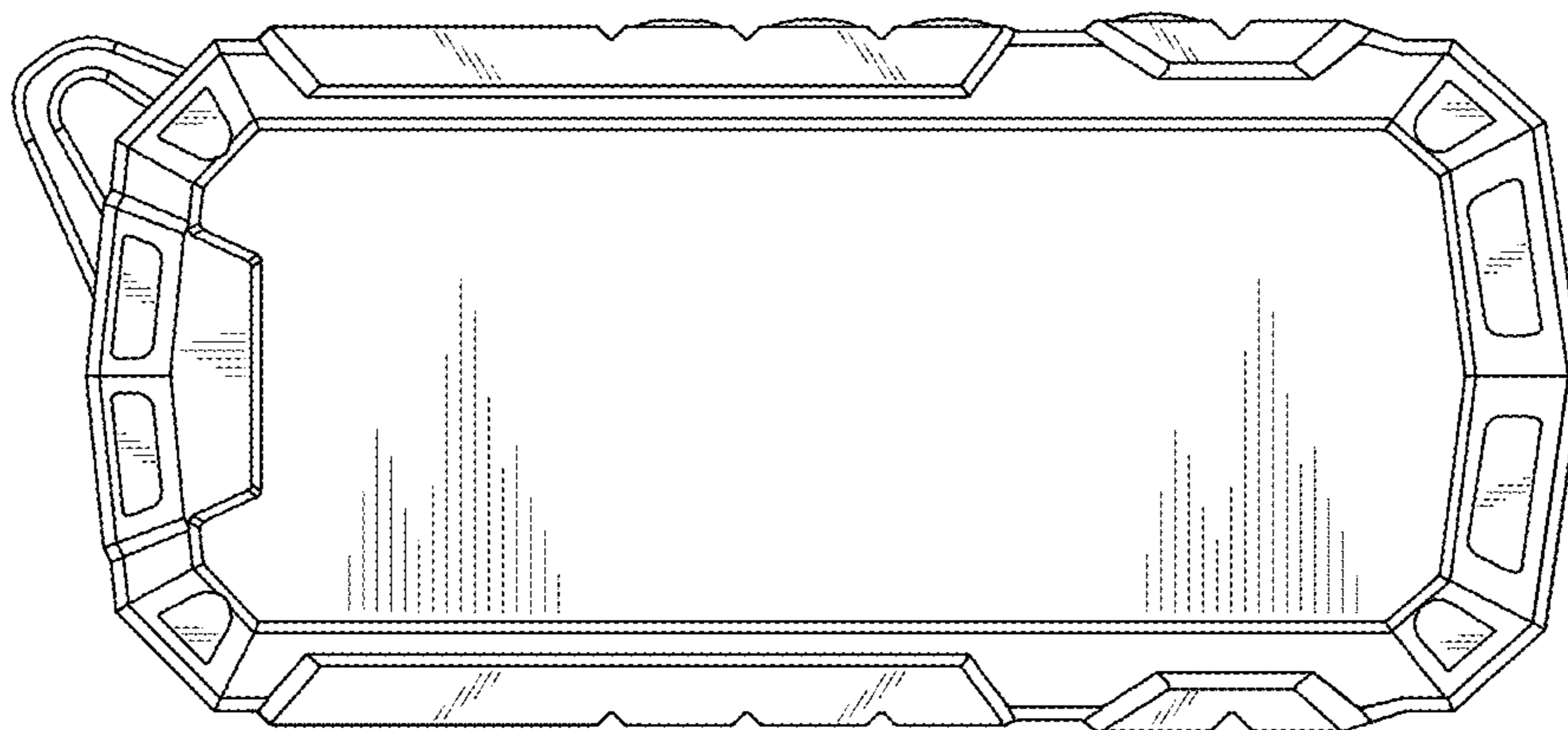


FIG.2

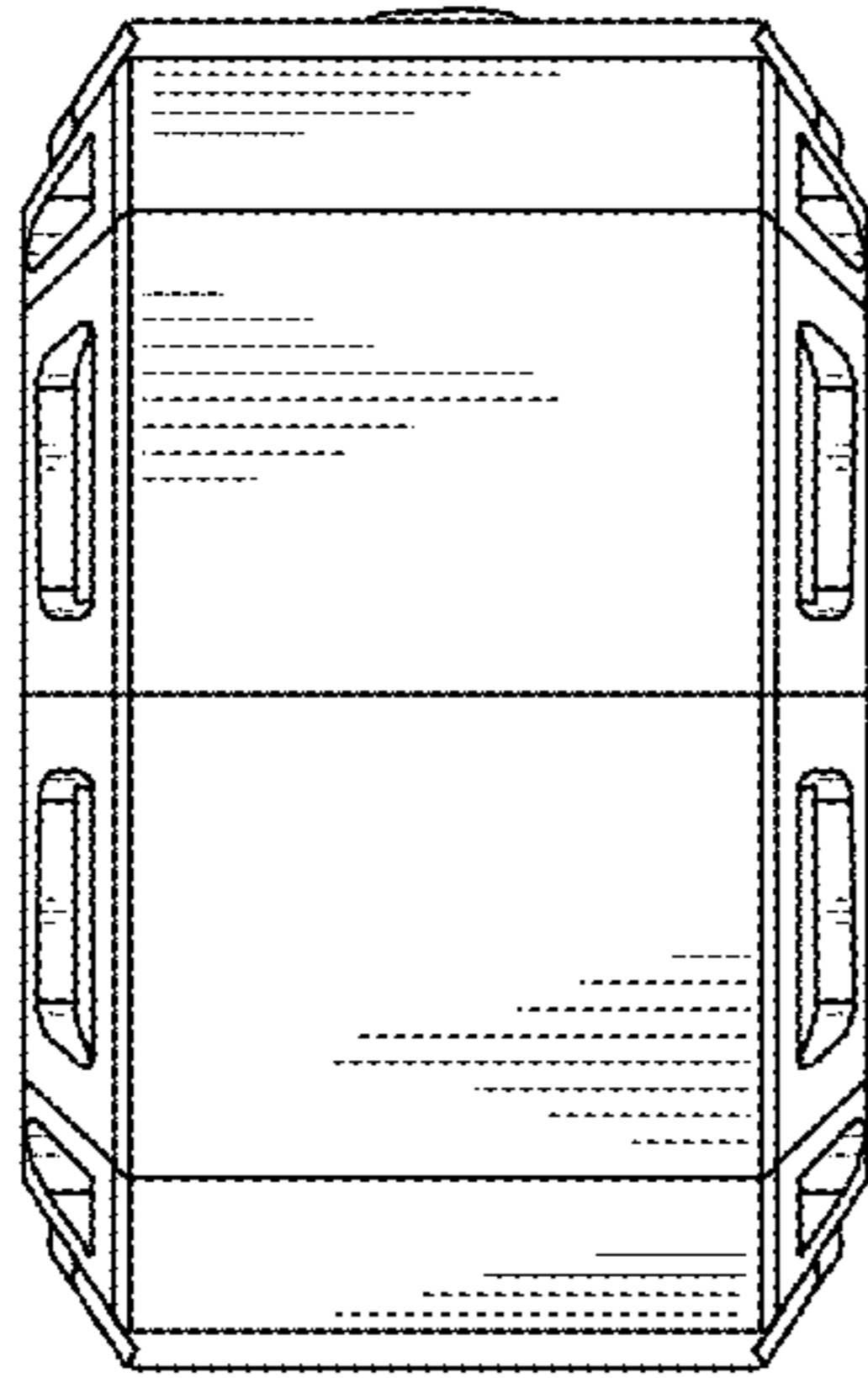


FIG.3

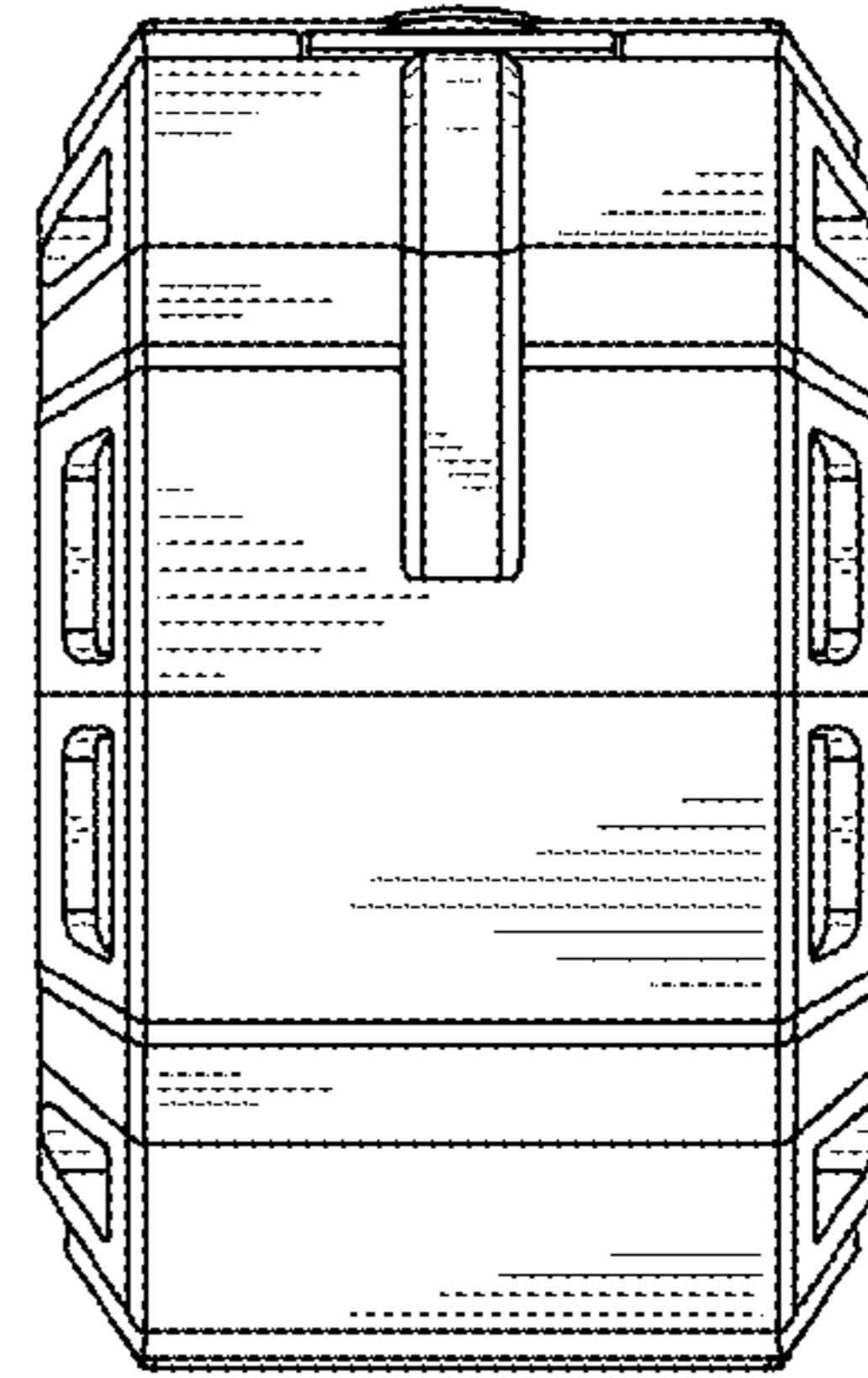


FIG.4

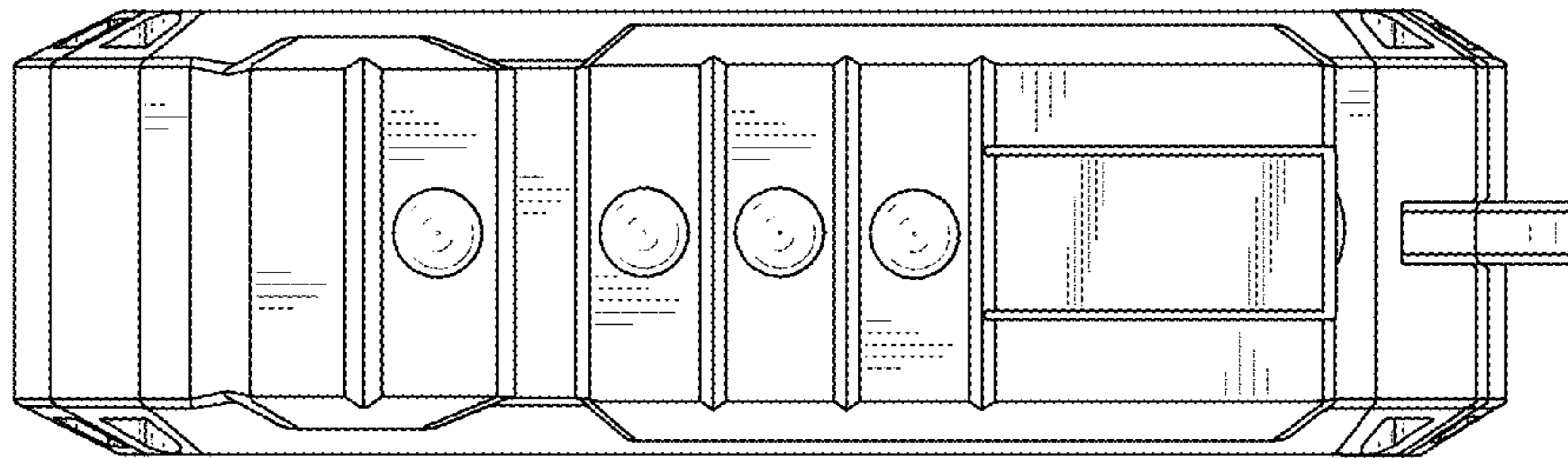


FIG.5

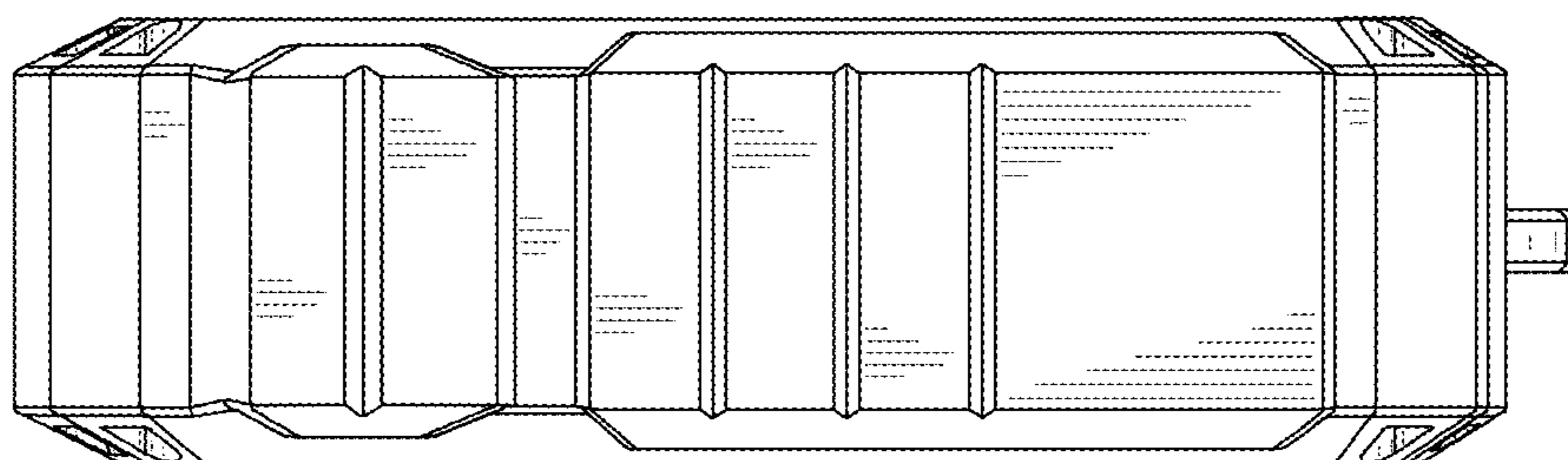


FIG.6

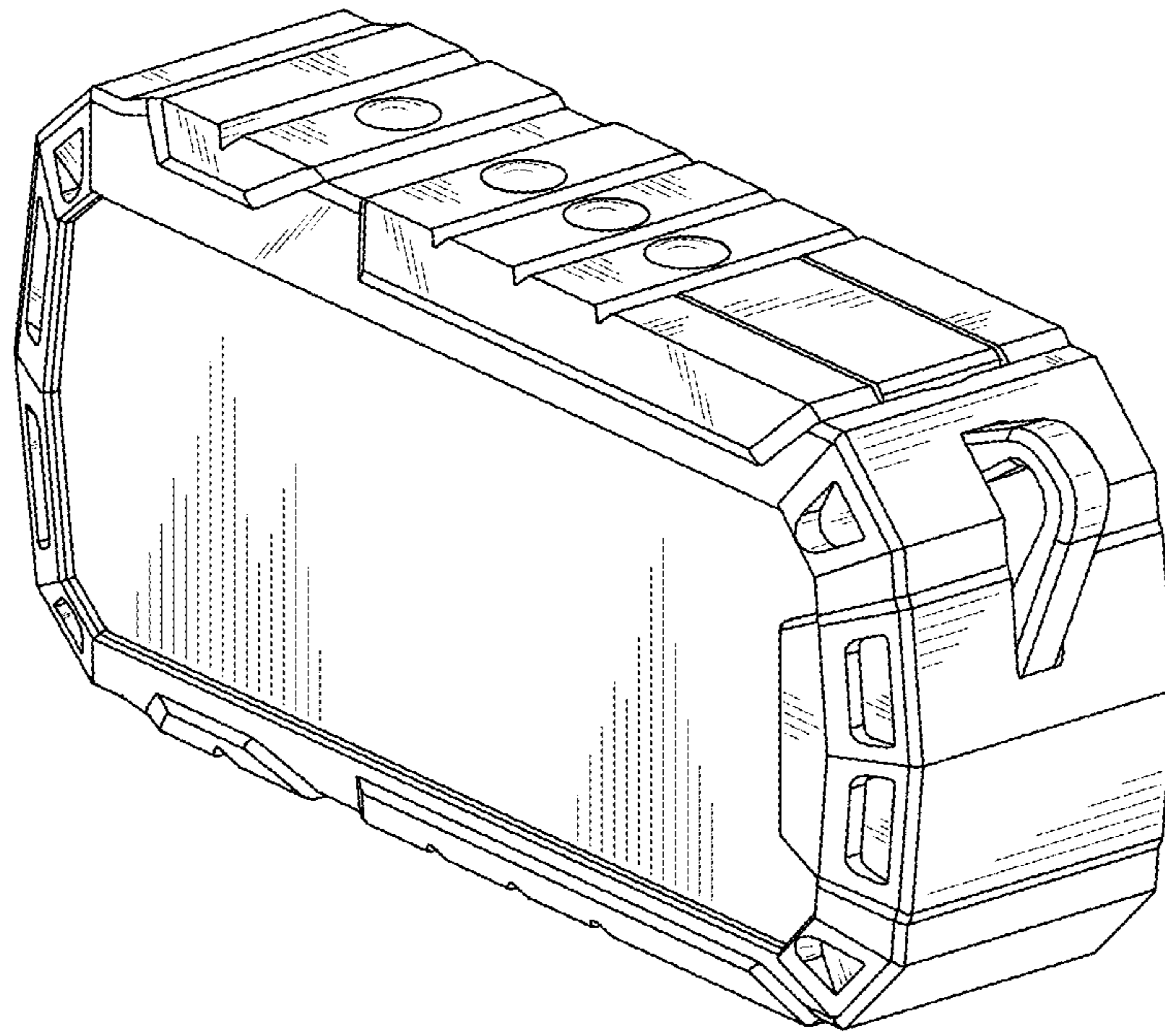


FIG. 7

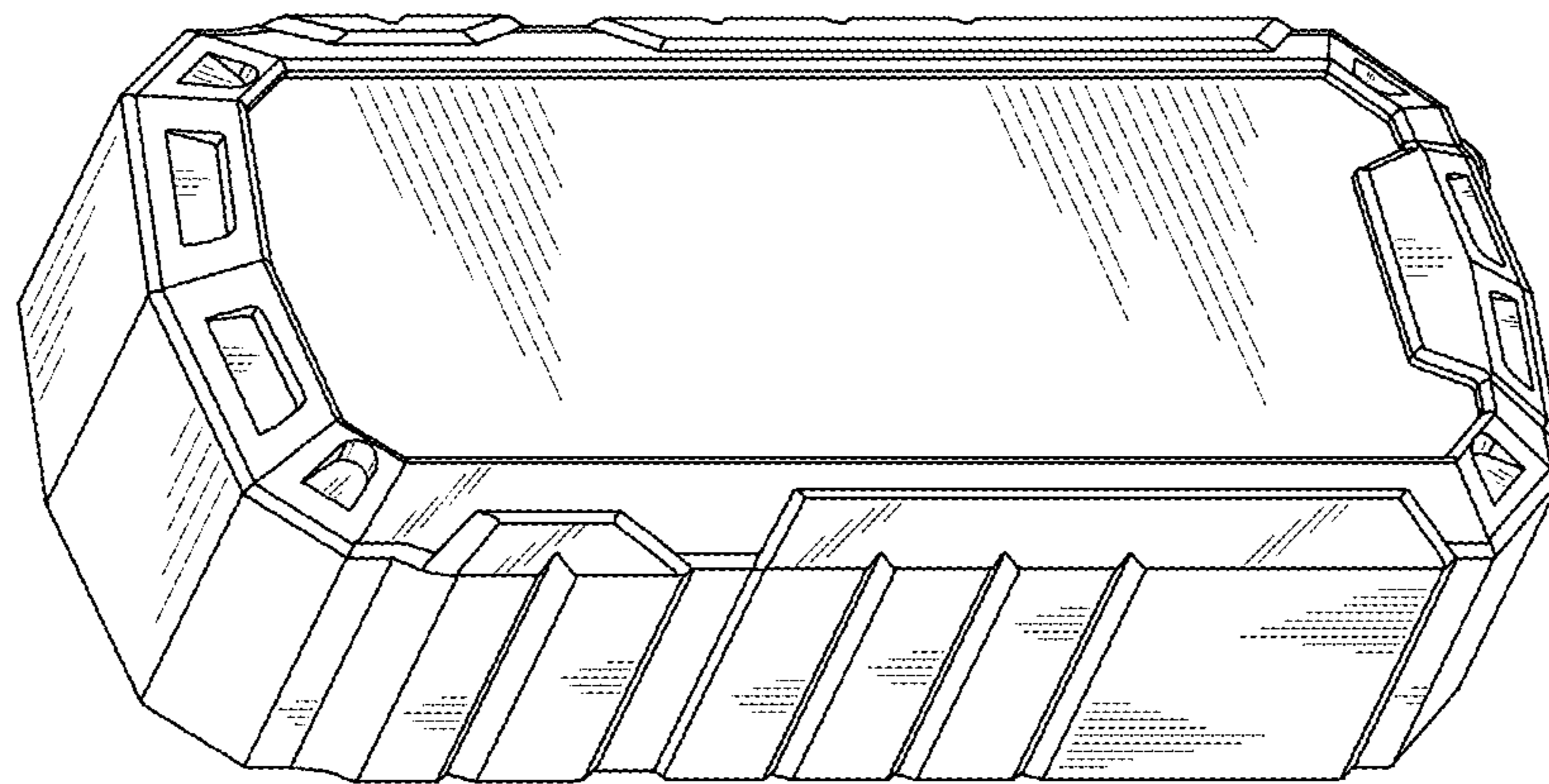


FIG. 8