



US00D903635S

(12) **United States Design Patent**
Liu

(10) **Patent No.:** **US D903,635 S**
(45) **Date of Patent:** **** Dec. 1, 2020**

(54) **EARPHONE**
(71) Applicant: **SHENZHEN LINK DREAM ELECTRONICS CO., LTD**, Shenzhen (CN)
(72) Inventor: **Qi Liu**, Shenzhen (CN)
(**) Term: **15 Years**
(21) Appl. No.: **29/741,026**

D526,313 S * 8/2006 Murray D14/223
7,106,873 B1 * 9/2006 Harrison A61N 1/36038
381/330
D533,540 S * 12/2006 Murray D14/205
7,155,023 B2 * 12/2006 Dittli H04R 25/60
381/330
D538,792 S * 3/2007 Kim D14/223
D542,267 S * 5/2007 Cha D14/206
D555,151 S * 11/2007 Eklund D14/223
D555,153 S * 11/2007 Wilson D14/223
D566,105 S * 4/2008 Yang D14/223
7,372,973 B2 * 5/2008 Meier H04R 25/65
381/330

(22) Filed: **Jul. 9, 2020**
(51) **LOC (12) Cl.** **14-01**
(52) **U.S. Cl.**
USPC **D14/206**; D14/226
(58) **Field of Classification Search**
USPC D14/206, 226, 225, 205; D24/174;
128/864, 865, 866; 381/380, 381;
455/90.3, 575.1, 569.1
CPC H04R 1/10; H04R 25/00; H04R 19/04;
H04R 1/1058; H04R 1/1091; H04R
1/105; H04R 1/1066; H04R 1/1016;
H04R 5/033; H04R 5/0335
See application file for complete search history.

(Continued)

FOREIGN PATENT DOCUMENTS

CN 305148038 * 5/2019
CN 305351301 * 9/2019
CN 306011354 * 8/2020

Primary Examiner — Paula Allen Greene
(74) *Attorney, Agent, or Firm* — ZANIP

(57) **CLAIM**

The ornamental design for an earphone, as shown and described.

(56) **References Cited**

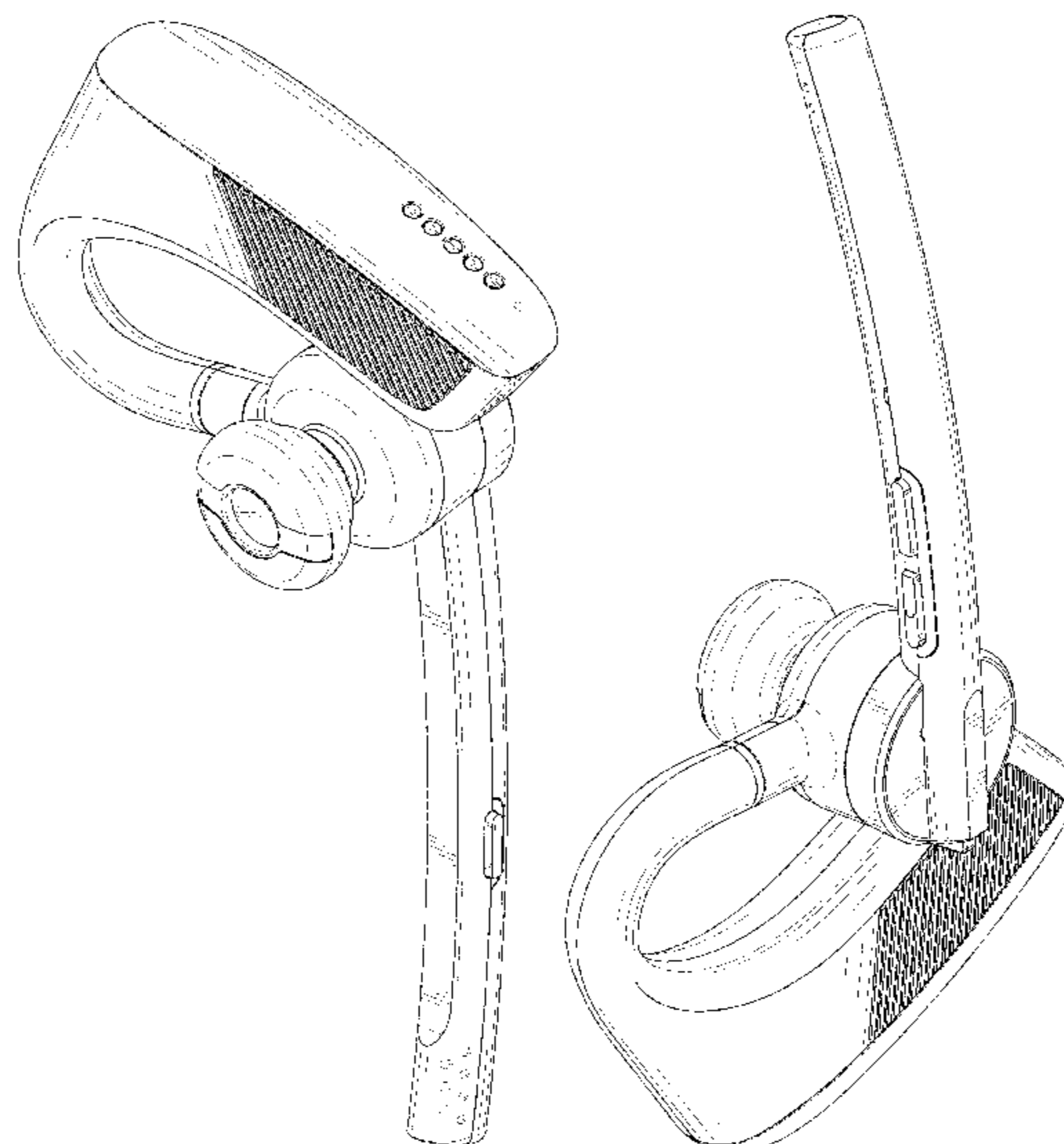
U.S. PATENT DOCUMENTS

4,617,431 A * 10/1986 Scott H04M 1/05
181/20
4,757,546 A * 7/1988 Akino H04R 1/342
381/357
6,101,260 A * 8/2000 Jensen H04M 1/05
379/430
6,771,790 B2 * 8/2004 Liu H04M 1/05
381/375
D508,485 S * 8/2005 Katsumata D14/205
D510,082 S * 9/2005 Olson D14/206
D512,991 S * 12/2005 Yano D14/223
D517,054 S * 3/2006 Yang D14/205
7,020,300 B1 * 3/2006 Villaverde H04R 1/1058
381/374
D519,498 S * 4/2006 Ham D14/225

DESCRIPTION

FIG. 1 is a front and top perspective view of an earphone, showing my new design;
FIG. 2 is a rear and bottom perspective view thereof;
FIG. 3 is a front elevational view thereof;
FIG. 4 is a rear elevational view thereof;
FIG. 5 is a left side elevational view thereof;
FIG. 6 is a right side elevational view thereof;
FIG. 7 is a top plan view thereof; and,
FIG. 8 is a bottom plan view thereof.
The broken lines in the figures illustrate portions of the article that form no part of the claimed design.

1 Claim, 8 Drawing Sheets



(56)

References Cited

U.S. PATENT DOCUMENTS

| | | | | | | | |
|----------------|---------|-------------|------------------------|-------------------|---------|----------|-------------------------|
| D572,234 S * | 7/2008 | Reda | D14/205 | D784,290 S * | 4/2017 | Paterson | D14/205 |
| D573,983 S * | 7/2008 | Bang | D14/223 | D784,291 S * | 4/2017 | Paterson | D14/206 |
| D574,366 S * | 8/2008 | Sade | D14/223 | D789,331 S * | 6/2017 | Paterson | D14/225 |
| D582,388 S * | 12/2008 | Nielsen | D14/205 | D797,076 S * | 9/2017 | Zhang | D14/206 |
| D590,813 S * | 4/2009 | Bradford | D14/205 | D812,040 S * | 3/2018 | Yan | D14/206 |
| D602,476 S * | 10/2009 | Lee | D14/223 | D813,849 S * | 3/2018 | Andreen | D14/223 |
| D603,372 S * | 11/2009 | Bentley | D14/206 | D814,444 S * | 4/2018 | Liu | D14/223 |
| D612,834 S * | 3/2010 | Yang | D14/206 | D828,327 S * | 9/2018 | Birger | D14/206 |
| D618,221 S * | 6/2010 | Fahrendorff | D14/223 | D830,337 S * | 10/2018 | Yan | D14/206 |
| D619,566 S * | 7/2010 | Yu | D14/223 | D830,338 S * | 10/2018 | Yan | D14/206 |
| 7,778,410 B2 * | 8/2010 | Liu | H04M 1/05 379/430 | D830,339 S * | 10/2018 | Yan | D14/206 |
| D628,188 S * | 11/2010 | Koch | D14/205 | D838,688 S * | 1/2019 | Liu | D14/206 |
| D628,194 S * | 11/2010 | Koch | D14/223 | D850,408 S * | 6/2019 | Kawabata | |
| D634,305 S * | 3/2011 | Hoggarth | D14/223 | D851,065 S * | 6/2019 | Yan | D14/206 |
| D645,457 S * | 9/2011 | Carr | D14/223 | D855,036 S * | 7/2019 | Yan | D14/206 |
| 8,061,473 B1 * | 11/2011 | Kerr | A61F 11/008 181/135 | D863,254 S * | 10/2019 | Hu | D14/206 |
| D653,649 S * | 2/2012 | Yang | D14/206 | D872,707 S * | 1/2020 | Liu | D14/206 |
| D657,347 S * | 4/2012 | Chung | D14/206 | D879,068 S * | 3/2020 | Yan | D14/206 |
| D670,267 S * | 11/2012 | Maddern | D14/206 | D883,951 S * | 5/2020 | Yan | D14/206 |
| D681,014 S * | 4/2013 | Ham | D14/223 | 2005/0129259 A1 * | 6/2005 | Garner | H04R 1/105 381/172 |
| D681,602 S * | 5/2013 | Koch | D14/205 | 2010/0290655 A1 * | 11/2010 | Takeda | H04R 25/602 381/323 |
| D717,767 S * | 11/2014 | Mistry | D14/206 | 2012/0244813 A1 * | 9/2012 | Liao | H04R 1/1091 455/41.3 |
| D717,771 S * | 11/2014 | Harper | D14/223 | 2013/0322646 A1 * | 12/2013 | Davie | H04R 1/1041 381/74 |
| D726,147 S * | 4/2015 | Tran | D14/206 | 2015/0237434 A1 * | 8/2015 | Tran | H04R 1/1008 381/380 |
| D739,388 S * | 9/2015 | Paterson | D14/225 | 2016/0181718 A1 * | 6/2016 | Kann | H01R 13/447 381/91 |
| D750,043 S * | 2/2016 | Birger | D14/206 | | | | |
| 9,307,311 B2 * | 4/2016 | Tran | H04R 1/105 | | | | |
| D762,623 S * | 8/2016 | Gondo | D14/223 | | | | |

* cited by examiner

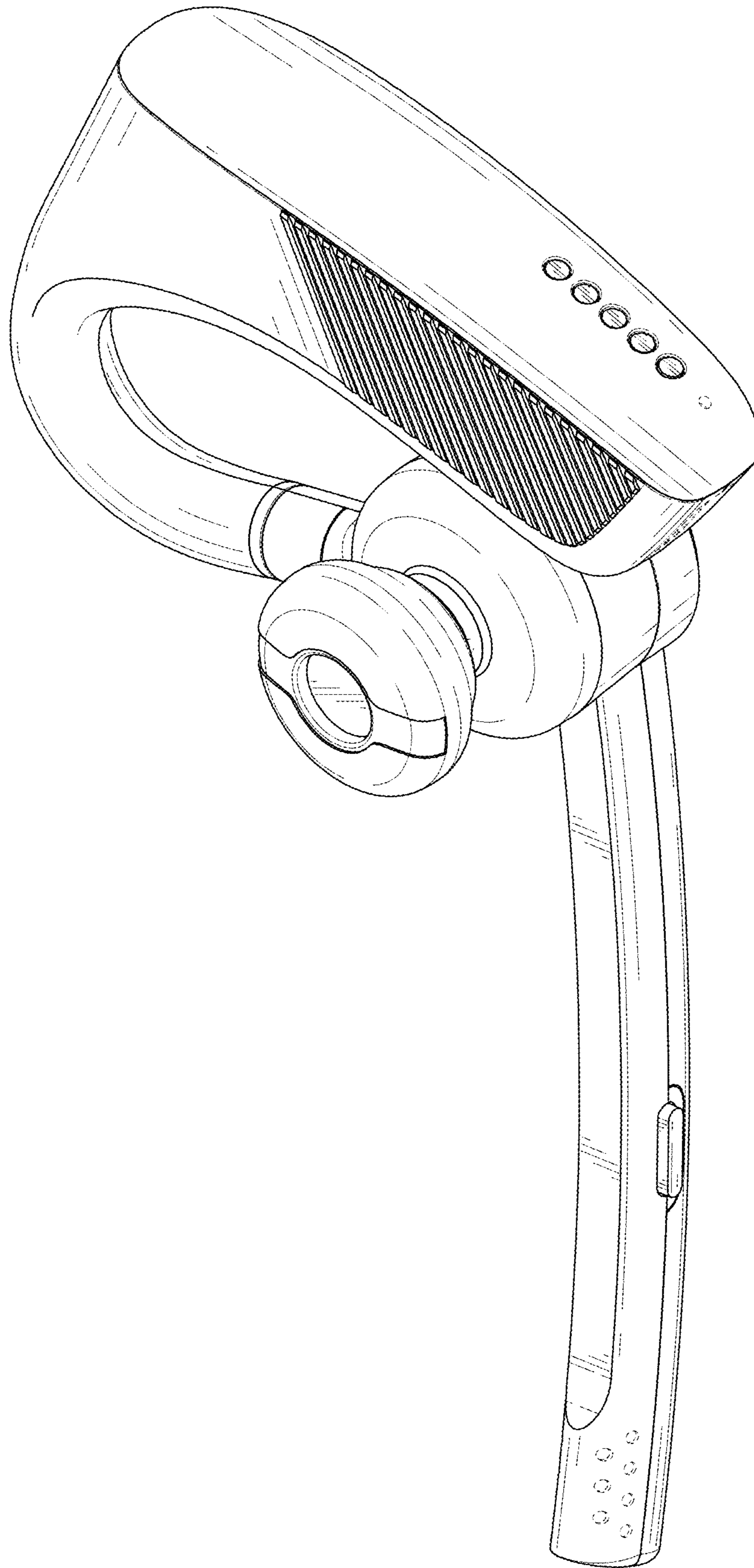


FIG. 1

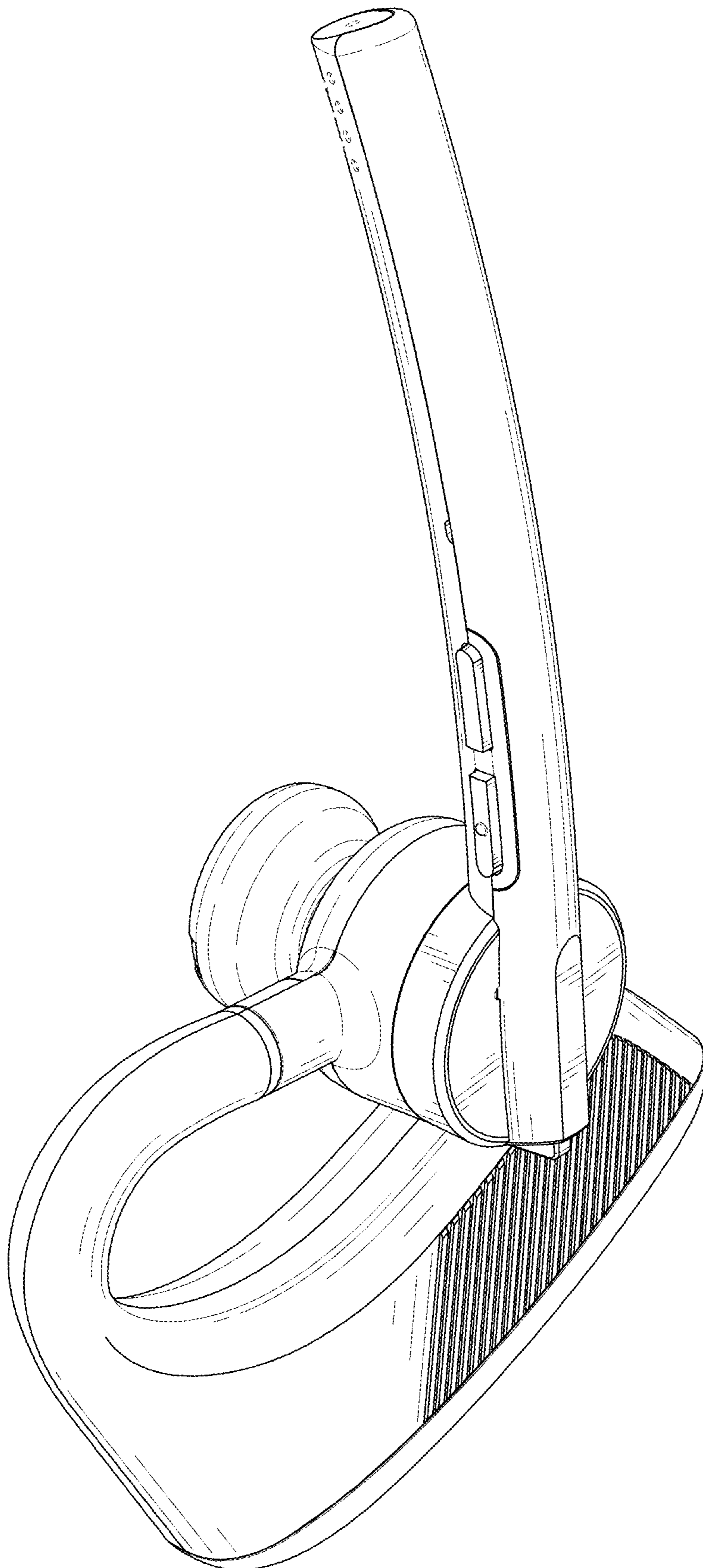


FIG. 2

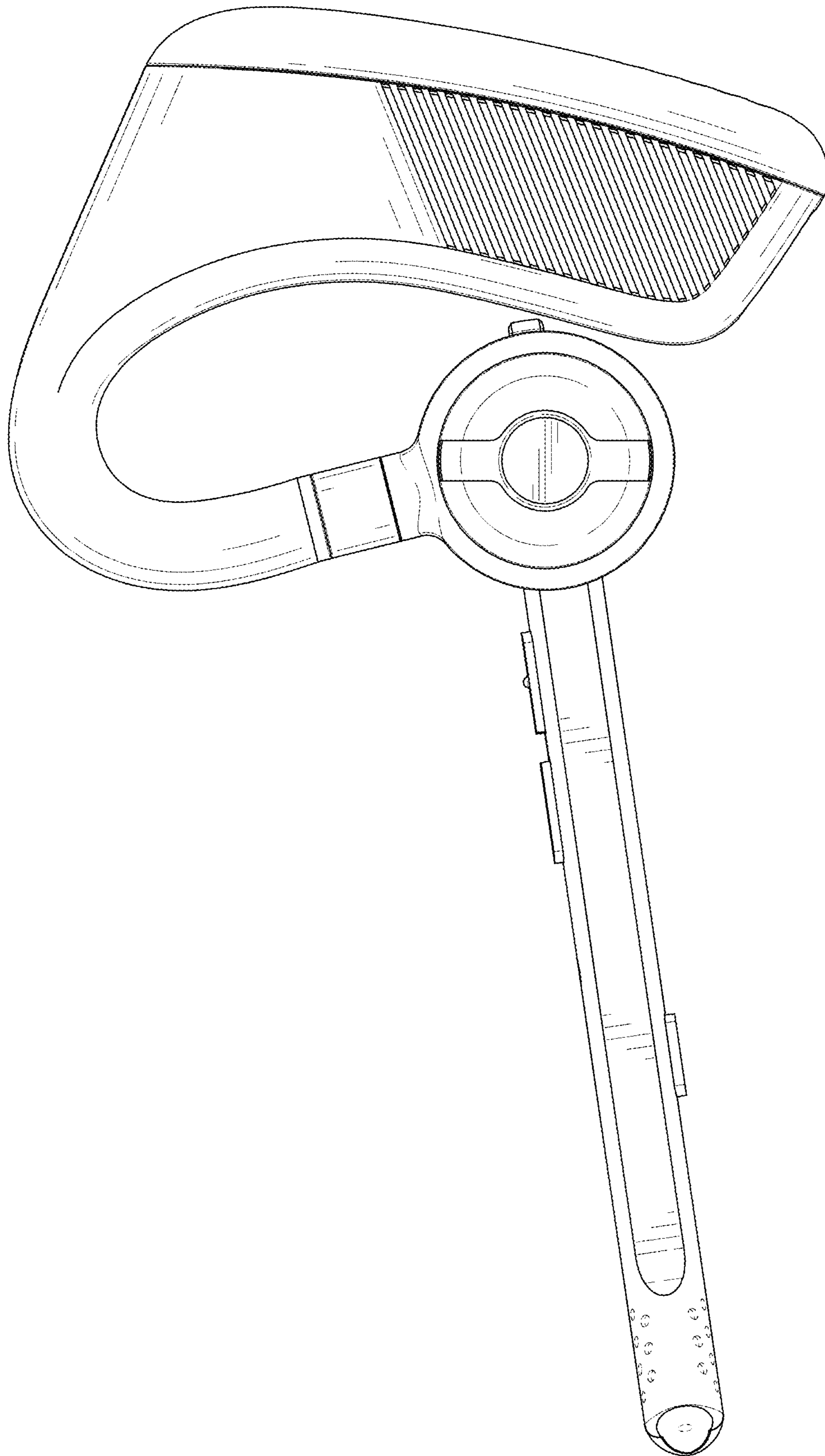


FIG. 3

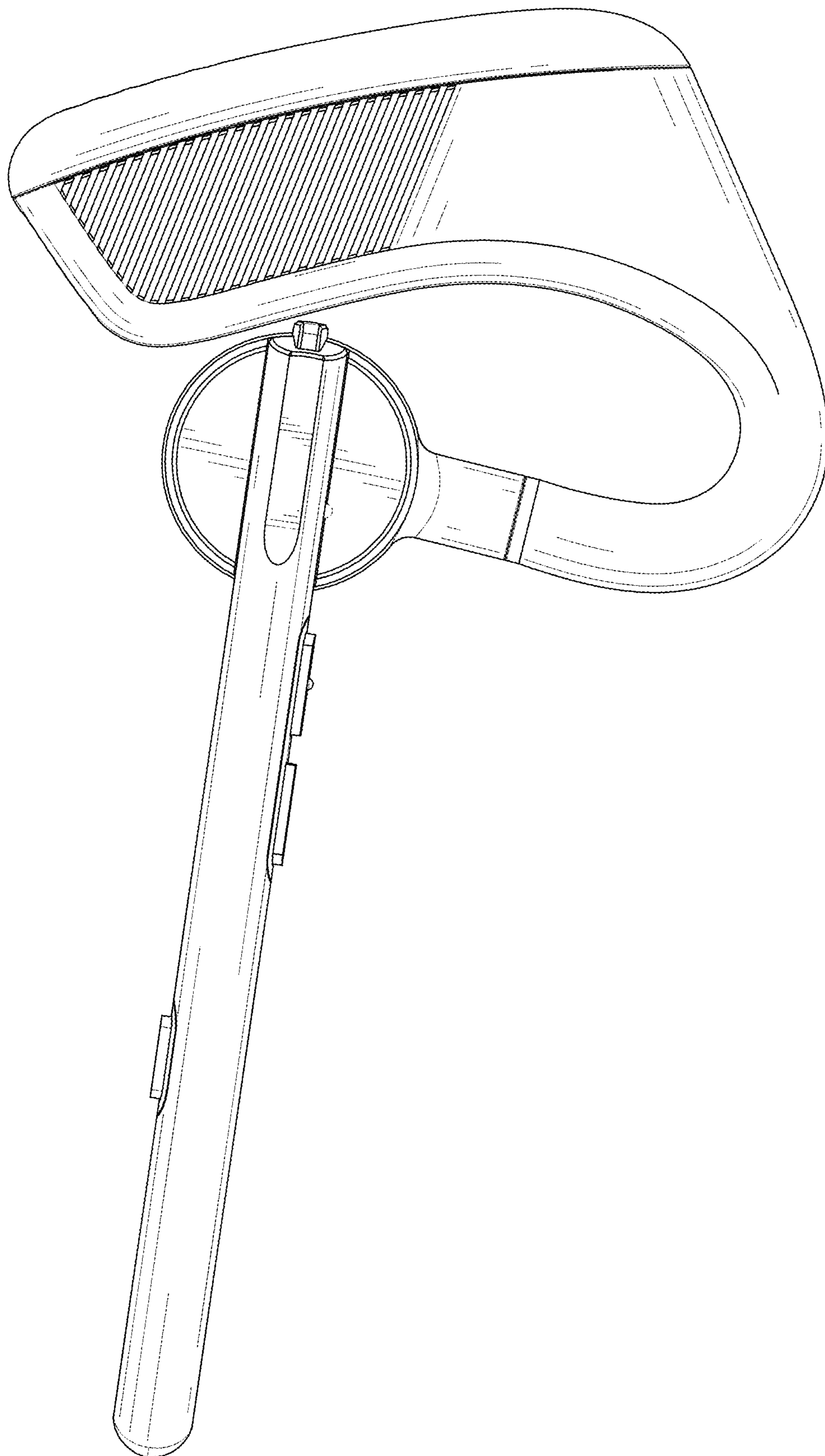


FIG. 4

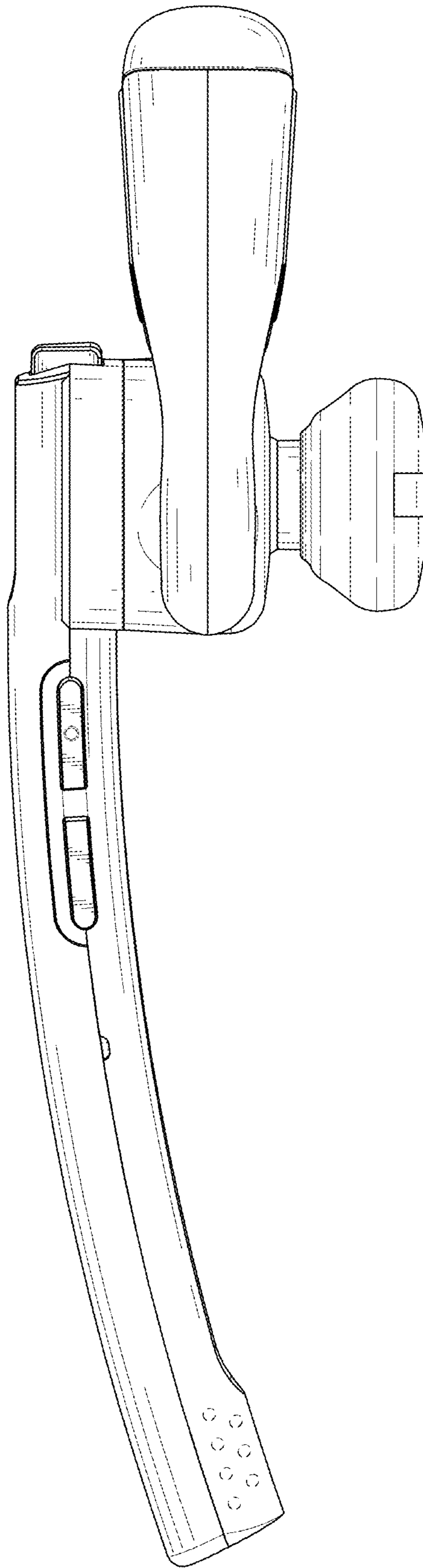


FIG. 5

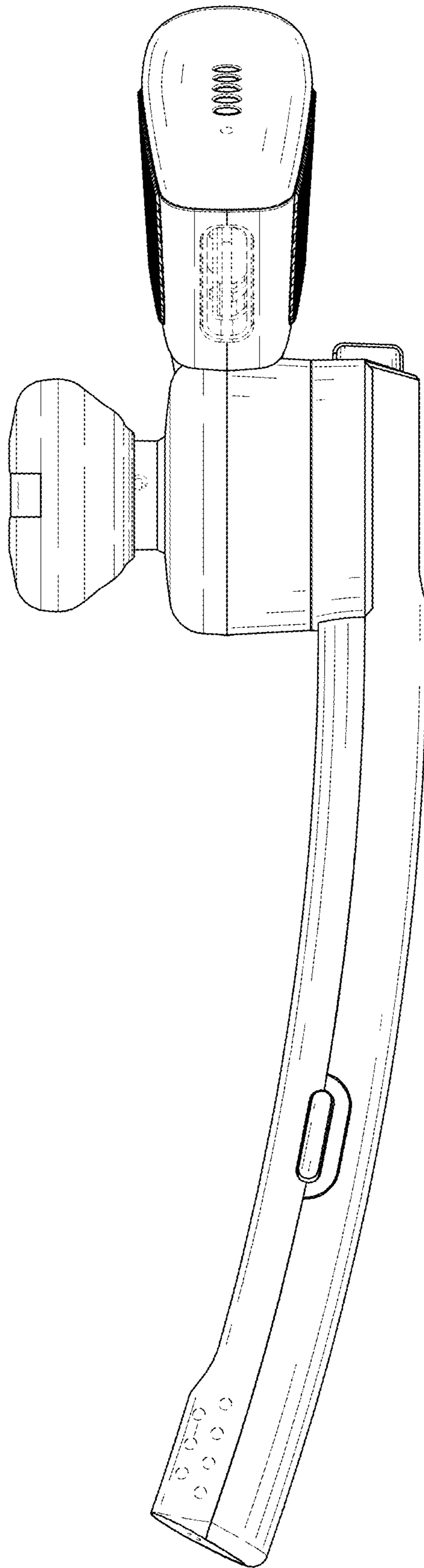


FIG. 6

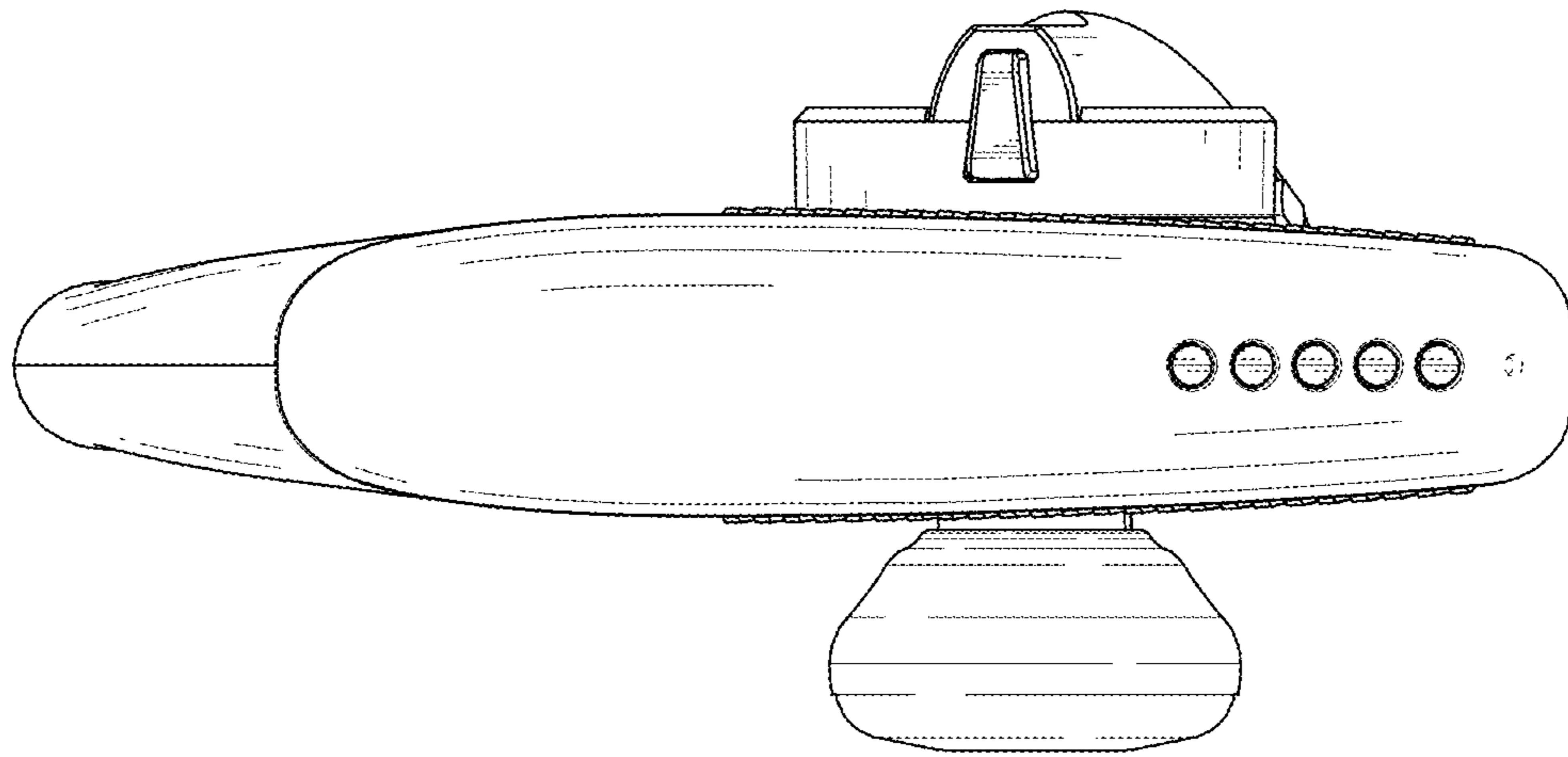


FIG. 7

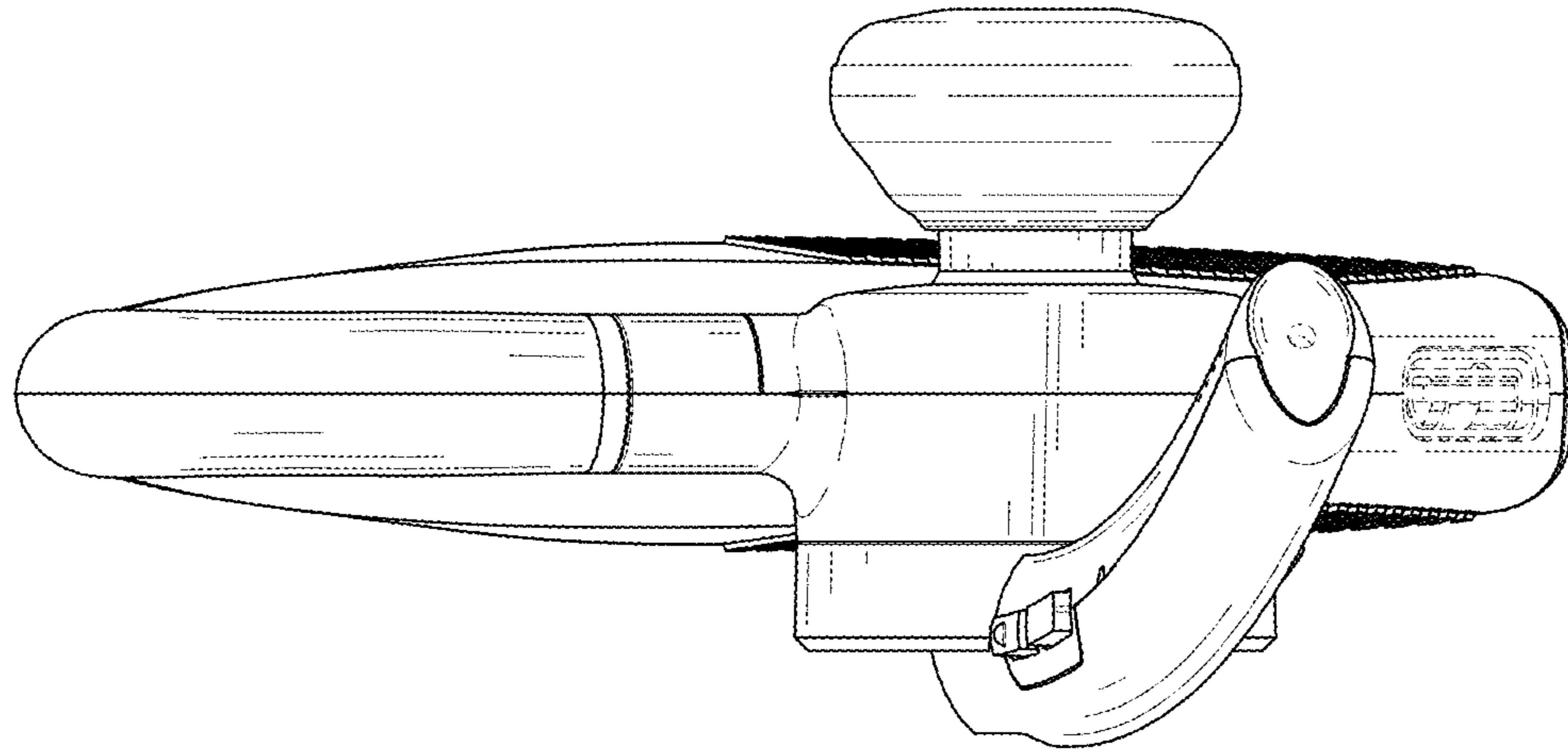


FIG. 8