



US00D903634S

(12) **United States Design Patent**
Lu

(10) **Patent No.:** **US D903,634 S**
(45) **Date of Patent:** **** Dec. 1, 2020**

(54) **WIRELESS HEADSET**

(71) Applicant: **Shenzhen Quanmeng Technology Co., Ltd.**, Shenzhen (CN)

(72) Inventor: **Xiying Lu**, Shenzhen (CN)

(**) Term: **15 Years**

(21) Appl. No.: **29/689,396**

(22) Filed: **Apr. 29, 2019**

(51) **LOC (12) Cl.** **14-01**

(52) **U.S. Cl.**
USPC **D14/206; D14/223**

(58) **Field of Classification Search**
USPC D14/206, 226, 225, 205; D24/174;
128/864, 865, 866; 381/380, 381, 374,
381/375, 379, 385; 455/90.3, 575.1,
455/569.1
CPC H04R 25/00; H04R 19/04; H04R 1/10;
H04R 1/1066; H04R 1/1016; H04R
5/033; H04R 5/0335; H04R 1/1083;
H04R 1/105
See application file for complete search history.

7,155,023 B2 * 12/2006 Dittli H04R 25/60
381/330
D538,792 S * 3/2007 Kim D14/223
D542,267 S * 5/2007 Cha D14/206
D555,151 S * 11/2007 Eklund D14/223
D555,153 S * 11/2007 Wilson D14/223
D566,105 S * 4/2008 Yang D14/223
7,372,973 B2 * 5/2008 Meier H04R 25/65
381/330
D573,983 S * 7/2008 Bang D14/223
D574,366 S * 8/2008 Sade D14/223
D582,388 S * 12/2008 Nielsen D14/205
D590,813 S * 4/2009 Bradford D14/205
D602,476 S * 10/2009 Lee D14/223
D603,372 S * 11/2009 Bentley D14/206
D618,221 S * 6/2010 Fahrendorff D14/223
7,778,410 B2 * 8/2010 Liu H04M 1/05
379/430
D634,305 S * 3/2011 Hoggarth D14/223

(Continued)

Primary Examiner — Paula Allen Greene
(74) *Attorney, Agent, or Firm* — W&K IP

(57) **CLAIM**

The ornamental design for a wireless headset, as shown and described.

(56) **References Cited**

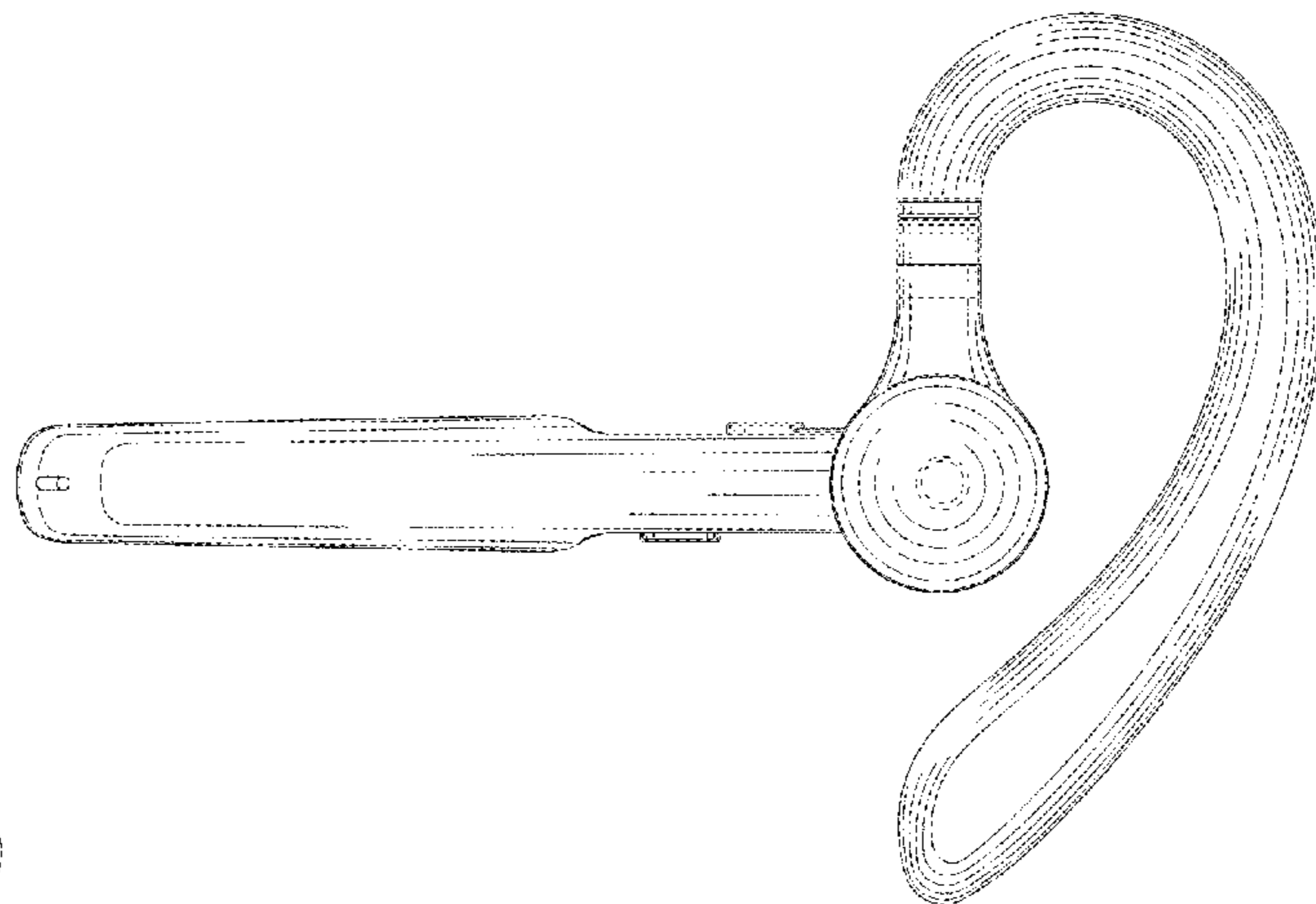
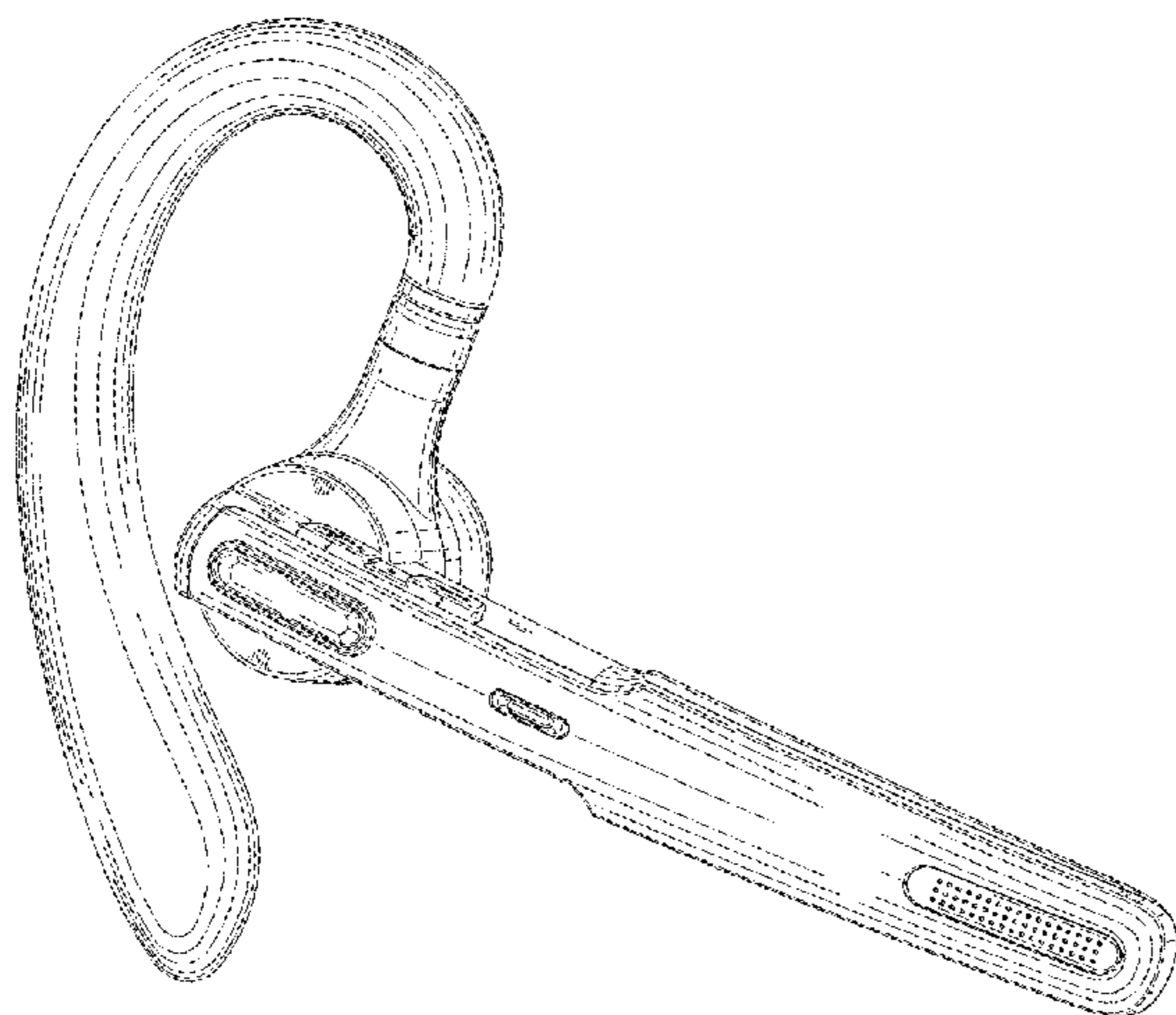
U.S. PATENT DOCUMENTS

6,101,260 A * 8/2000 Jensen H04M 1/05
379/430
6,771,790 B2 * 8/2004 Liu H04M 1/05
381/375
D508,485 S * 8/2005 Katsumata D14/205
D510,082 S * 9/2005 Olson D14/206
D512,991 S * 12/2005 Yano D14/223
D517,054 S * 3/2006 Yang D14/205
7,020,300 B1 * 3/2006 Villaverde H04R 1/1058
381/374
D519,498 S * 4/2006 Ham D14/225
D526,313 S * 8/2006 Murray D14/223
7,106,873 B1 * 9/2006 Harrison A61N 1/36038
381/330
D533,540 S * 12/2006 Murray D14/205

DESCRIPTION

FIG. 1 is a perspective view of the wireless headset from the right side;
FIG. 2 is a front elevational view thereof;
FIG. 3 is a rear elevational view thereof;
FIG. 4 is a left side view thereof;
FIG. 5 is a right side view thereof;
FIG. 6 is a top view thereof; and,
FIG. 7 is a bottom view thereof.
The broken lines shown in FIG. 3 and FIG. 4 illustrate portions of the wireless headset that form no part of the claimed design.

1 Claim, 7 Drawing Sheets



(56)

References Cited

U.S. PATENT DOCUMENTS

D645,457 S * 9/2011 Carr D14/223
8,061,473 B1 * 11/2011 Kerr A61F 11/008
181/135
D670,267 S * 11/2012 Maddern D14/206
D681,014 S * 4/2013 Ham D14/223
D717,767 S * 11/2014 Mistry D14/206
D726,147 S * 4/2015 Tran D14/206
D750,043 S * 2/2016 Birger D14/206
9,307,311 B2 * 4/2016 Tran H04R 1/105
D762,623 S * 8/2016 Gondo D14/223
D784,290 S * 4/2017 Paterson D14/205
D784,291 S * 4/2017 Paterson D14/206
D789,331 S * 6/2017 Paterson D14/225
D797,076 S * 9/2017 Zhang D14/206
D812,040 S * 3/2018 Yan D14/206
D813,849 S * 3/2018 Andreen D14/223
D814,444 S * 4/2018 Liu D14/223
D828,327 S * 9/2018 Birger D14/206
D830,337 S * 10/2018 Yan D14/206
D830,338 S * 10/2018 Yan D14/206
D830,339 S * 10/2018 Yan D14/206
D838,688 S * 1/2019 Liu D14/206
D851,065 S * 6/2019 Yan D14/206
D855,036 S * 7/2019 Yan D14/206
D872,707 S * 1/2020 Liu D14/206
2006/0291686 A1 * 12/2006 Hlas H04R 1/086
381/381

* cited by examiner

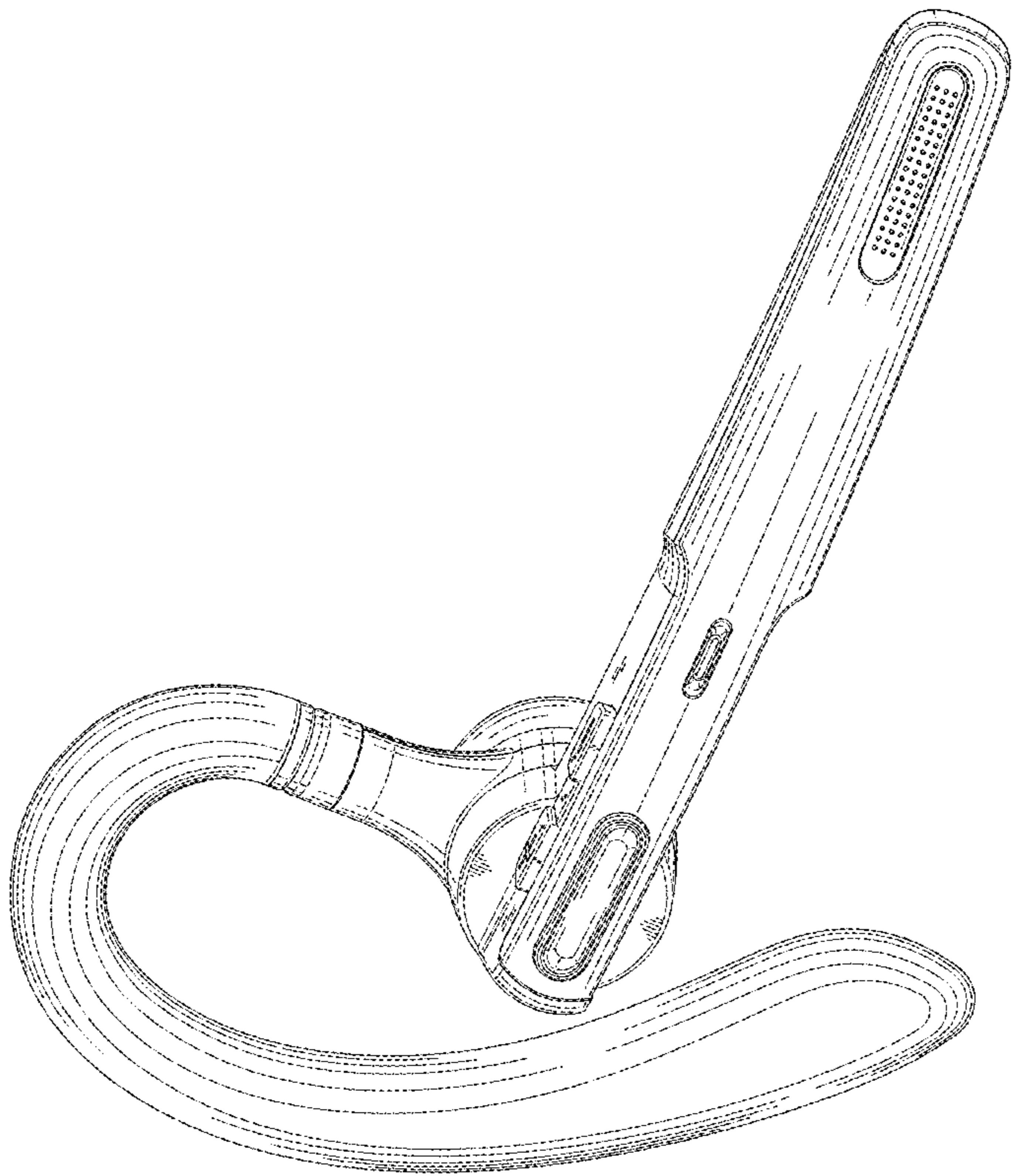


FIG.1

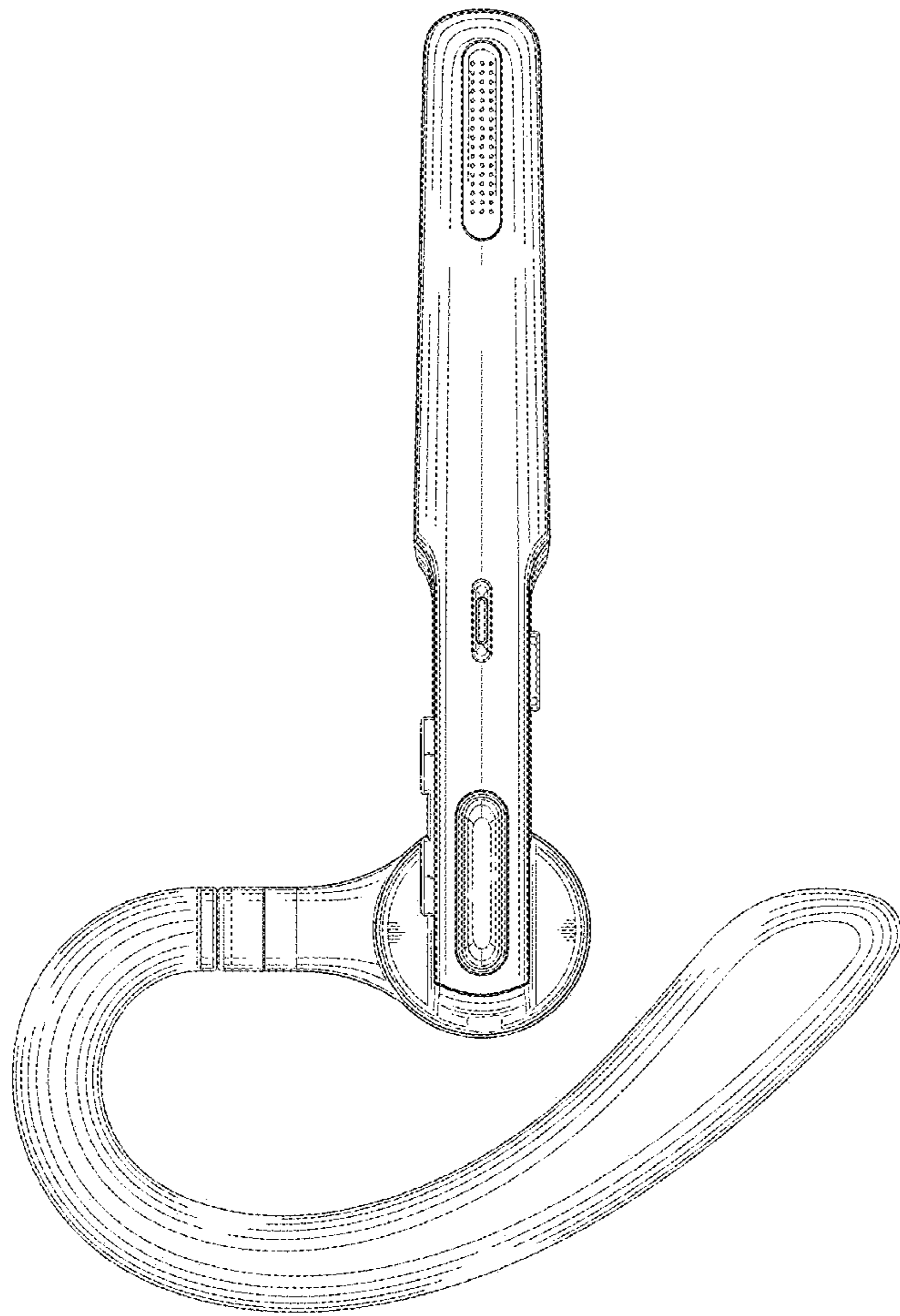


FIG.2

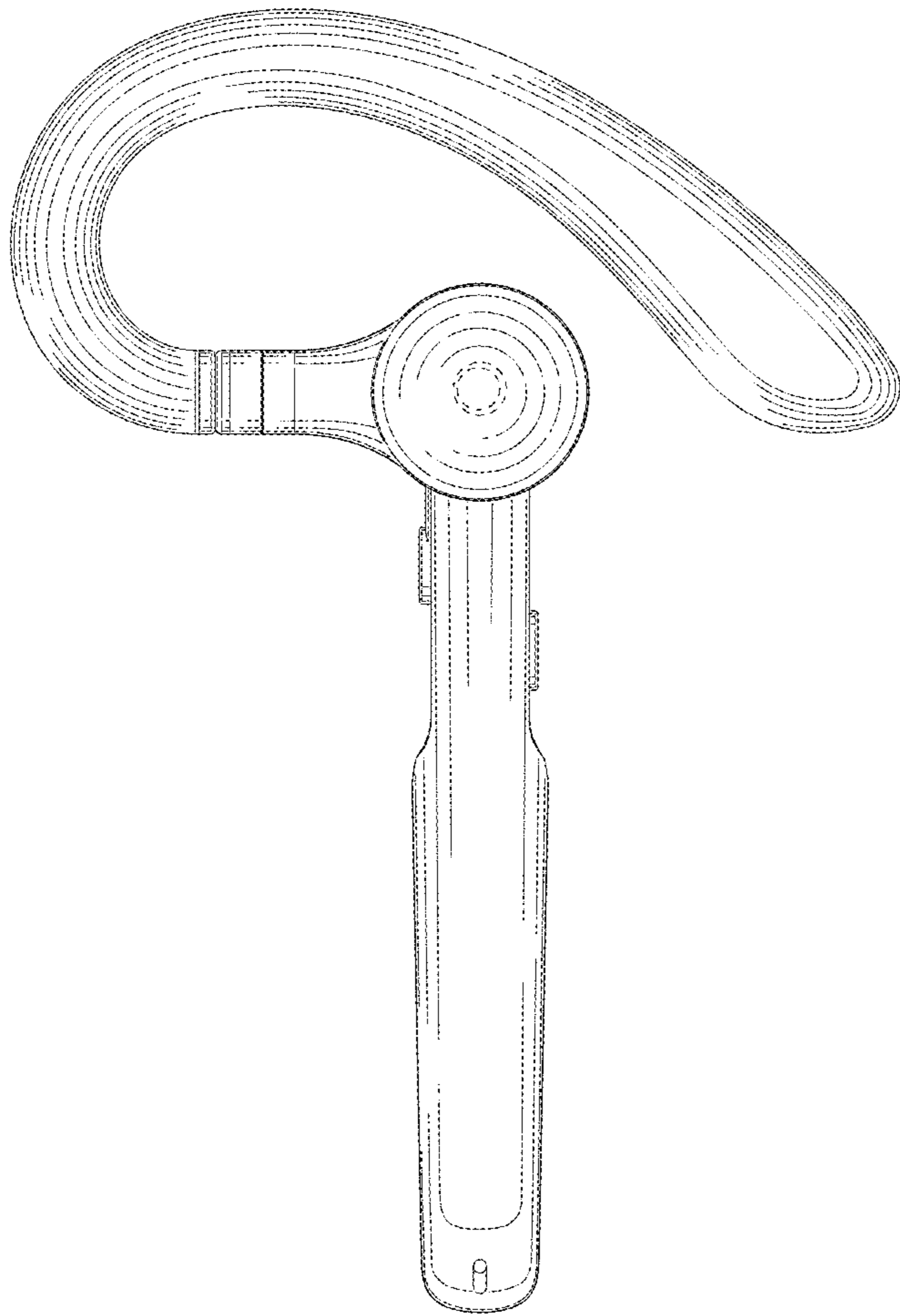


FIG.3

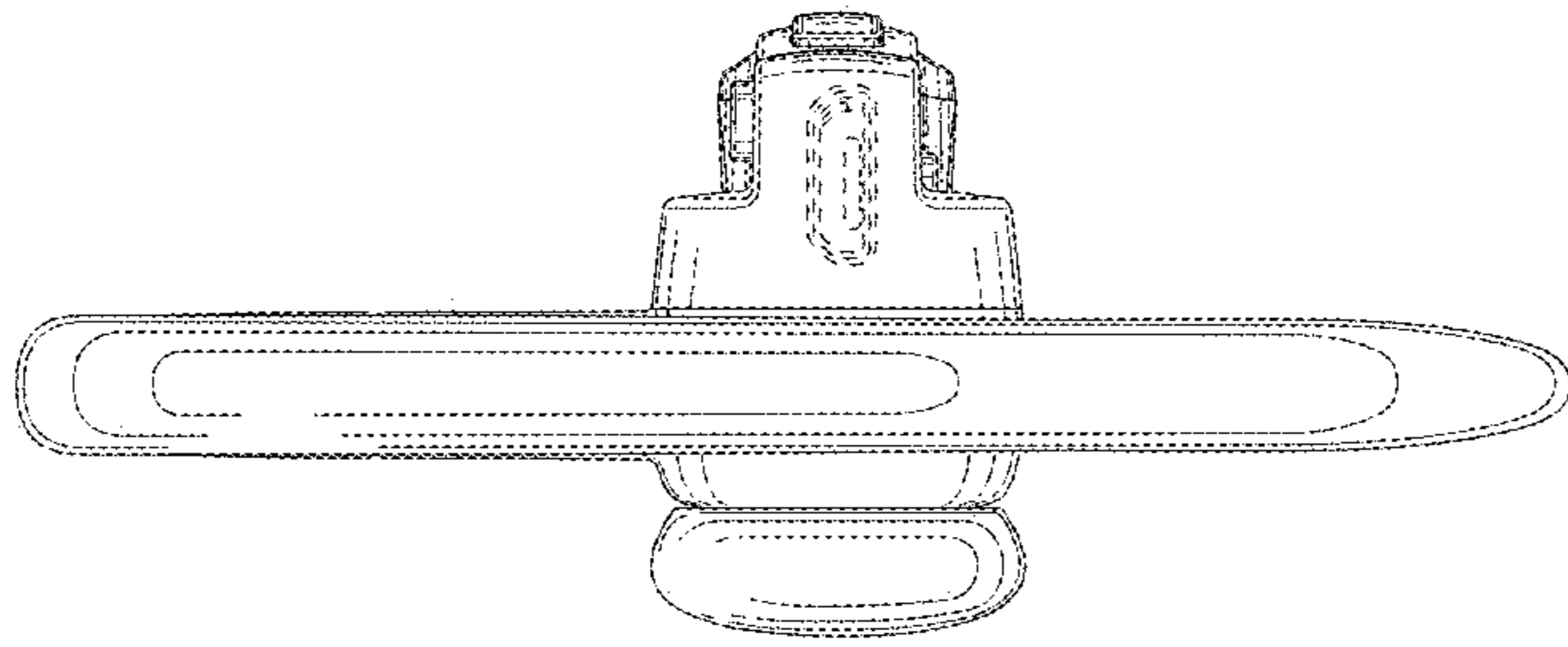


FIG.4

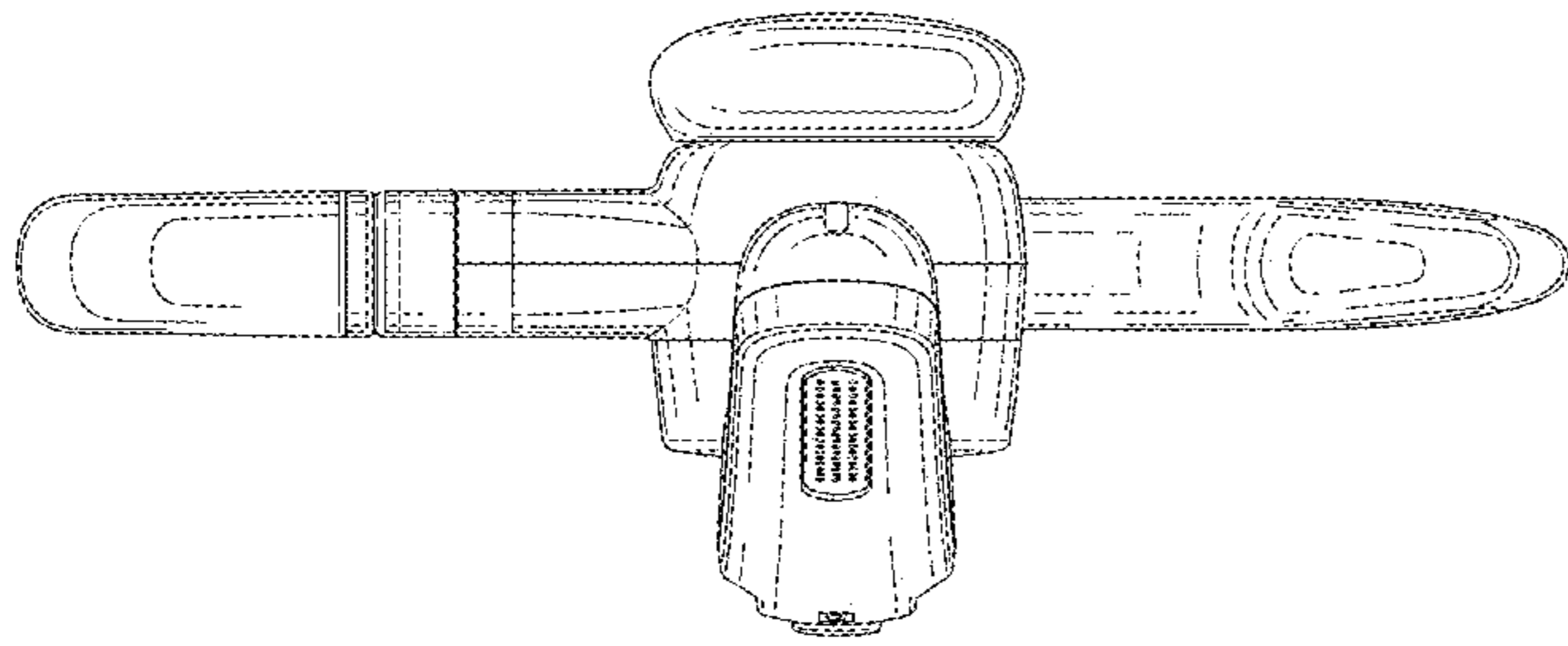


FIG.5

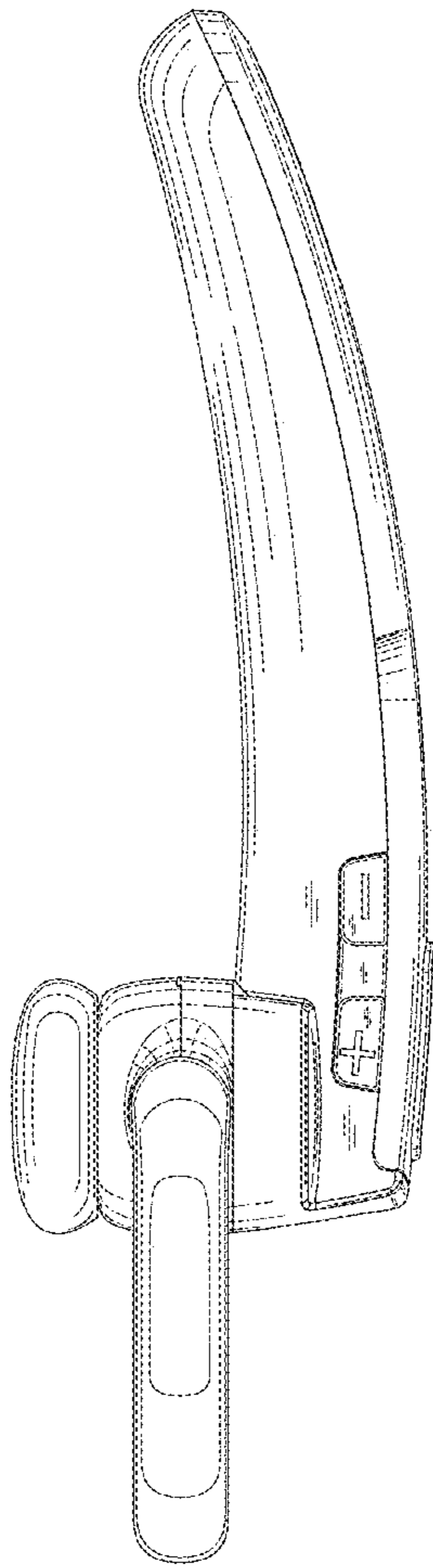


FIG.6

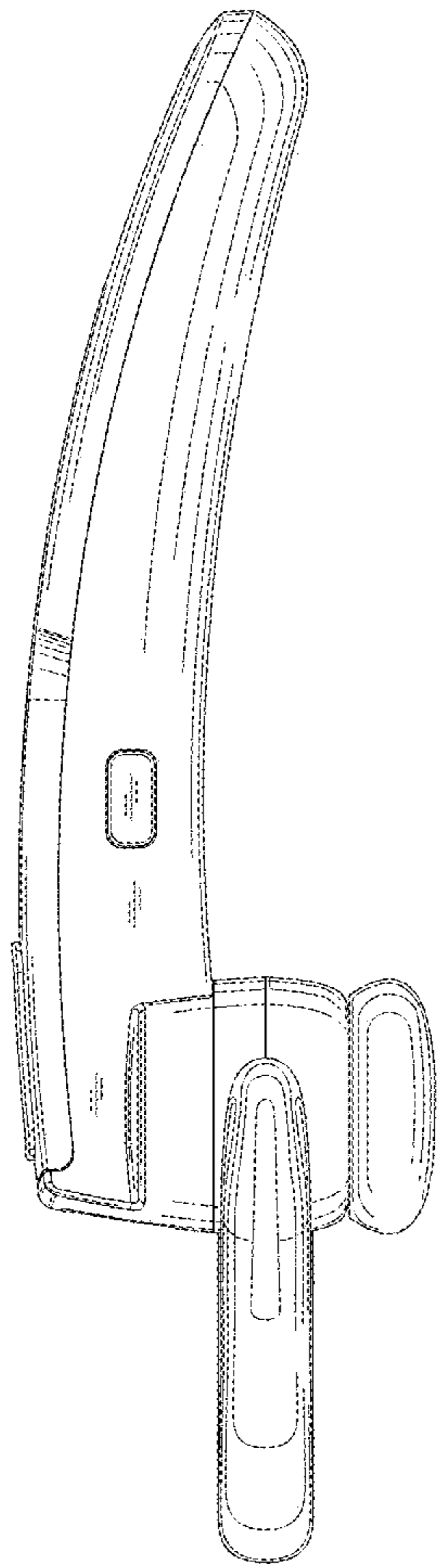


FIG.7