



US00D903631S

(12) **United States Design Patent**  
**Cho et al.**

(10) **Patent No.:** **US D903,631 S**  
(45) **Date of Patent:** **\*\* Dec. 1, 2020**

- (54) **HEADPHONE**
- (71) Applicant: **Shure Acquisition Holdings, Inc.**,  
Niles, IL (US)
- (72) Inventors: **Elizabeth Ahra Cho**, Wilmette, IL  
(US); **John Matthew Miller**,  
Grayslake, IL (US)
- (73) Assignee: **Shure Acquisition Holdings, Inc.**,  
Niles, IL (US)
- (\*\*) Term: **15 Years**
- (21) Appl. No.: **29/682,109**
- (22) Filed: **Mar. 1, 2019**
- (51) **LOC (12) Cl.** ..... **14-01**
- (52) **U.S. Cl.**  
USPC ..... **D14/205**
- (58) **Field of Classification Search**  
USPC ..... D14/205, 188, 192; D29/112; 2/209;  
381/374, 380, 381; 455/90.3, 575.1,  
455/569.1; D28/41; 132/275  
CPC .... H04R 1/1066; H04R 1/1016; H04R 25/00;  
H04R 5/033; H04R 5/0335; H04R 1/1083  
See application file for complete search history.

- 3,440,663 A \* 4/1969 Beguin ..... A61F 11/14  
2/209
- 3,505,684 A \* 4/1970 Hutchinson ..... A61F 11/14  
2/209
- 3,787,899 A 1/1974 Krawagna et al.  
(Continued)

**FOREIGN PATENT DOCUMENTS**

- EM 006563276-0002 6/2019
- JP D1648078 11/2019

**OTHER PUBLICATIONS**

Catalog for "2009/10 Product Catalogue", Shure Incorporated, p. 74-75, publication date unknown but prior to the filing date of the present application (2 pages).

(Continued)

*Primary Examiner* — Paula Allen Greene  
(74) *Attorney, Agent, or Firm* — Banner & Witcoff, Ltd.

(57) **CLAIM**

The ornamental design for a headphone, as shown and described.

**DESCRIPTION**

FIG. 1 is a front, right perspective view of a headphone showing our new design;  
FIG. 2 is a front view thereof;  
FIG. 3 is a rear view thereof;  
FIG. 4 is a right side view thereof;  
FIG. 5 is a left side view thereof;  
FIG. 6 is a top view thereof;  
FIG. 7 is a bottom view thereof; and,  
FIG. 8 is a rear view of the headphone of FIGS. 1-7 shown in an alternative configuration.

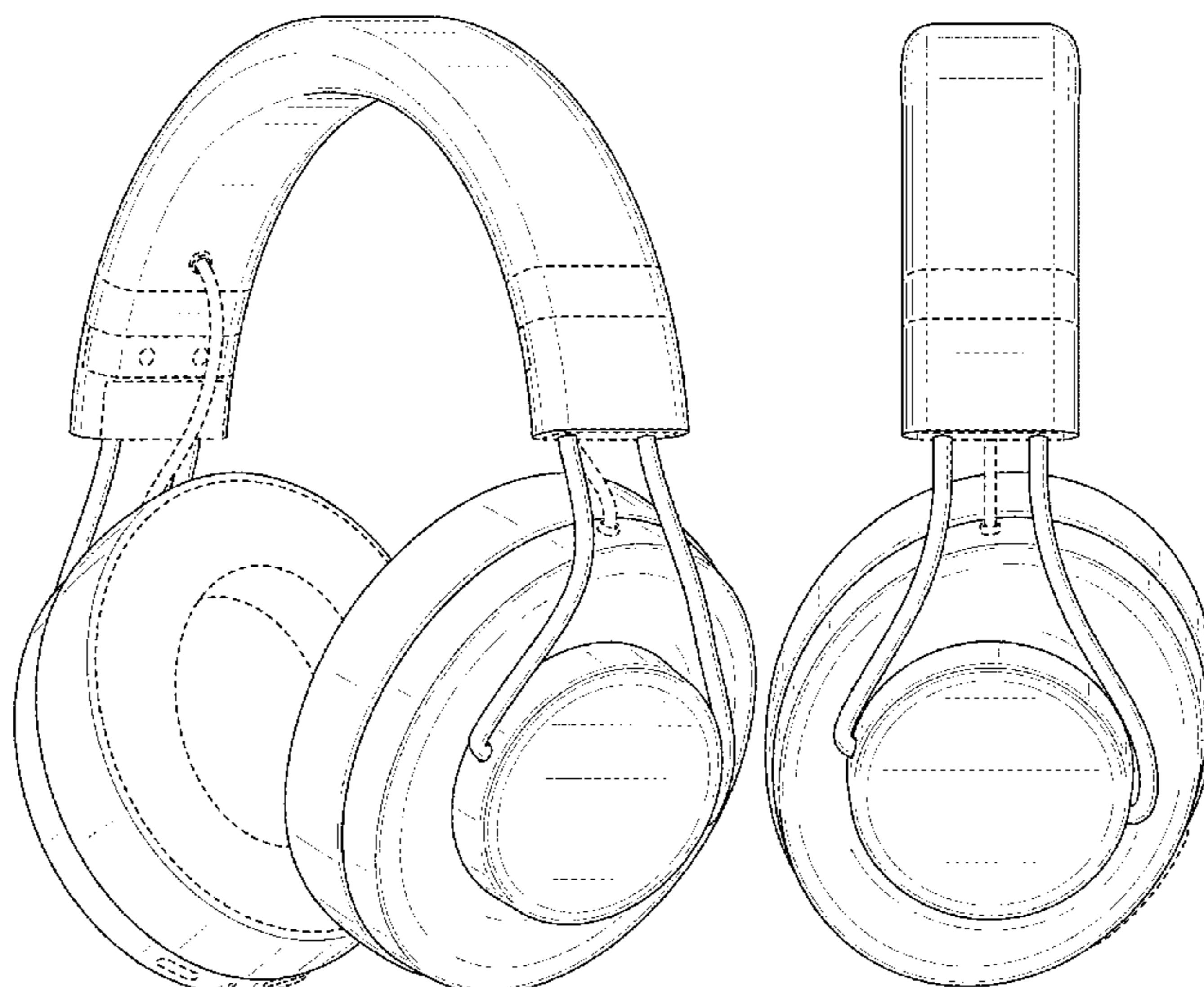
The broken lines immediately adjacent to the shaded area define the bounds of the claimed design and form no part thereof. The broken lines depicting the remainder of the headphone show features that form no part of the claimed design.

**1 Claim, 8 Drawing Sheets**

(56) **References Cited**

**U.S. PATENT DOCUMENTS**

- 1,087,704 A 2/1914 Adams-Randall
- 1,133,853 A 3/1915 Adams-Randall
- 2,149,341 A \* 3/1939 Harrison ..... H04R 1/1066  
381/379
- 2,640,199 A 6/1953 Funk
- 2,993,962 A \* 7/1961 Hothem ..... H04M 1/05  
379/430
- 3,097,406 A \* 7/1963 Yarborough ..... A45C 13/185  
24/3.7
- 3,408,658 A \* 11/1968 Beguin ..... A61F 11/14  
2/209



(56)

References Cited

U.S. PATENT DOCUMENTS

3,810,525 A \* 5/1974 Crenna ..... H04R 1/1008  
181/129

4,065,645 A 12/1977 Warner et al.

D255,352 S 6/1980 Besasie et al.

4,209,264 A \* 6/1980 Hellberg ..... A42B 3/166  
403/80

4,821,318 A \* 4/1989 Wu ..... H04M 1/05  
379/430

D328,074 S \* 7/1992 Yamazaki ..... D14/205

D328,461 S \* 8/1992 Daido ..... D14/205

D337,115 S 7/1993 Yamazaki et al.

D353,818 S \* 12/1994 Nakamura ..... D14/205

5,384,857 A \* 1/1995 Nordin ..... A61F 11/14  
381/374

6,449,806 B1 \* 9/2002 Engelhard ..... H04M 1/05  
2/209

D468,723 S 1/2003 Pham et al.

D476,639 S 7/2003 Bergeron et al.

6,611,963 B2 \* 9/2003 Woo ..... A61F 11/14  
2/209

D494,154 S \* 8/2004 Polito ..... D14/206

D512,708 S 12/2005 Harris, Jr. et al.

D532,407 S 11/2006 Motoishi

7,172,052 B2 2/2007 Lenhard-Backhaus

D541,255 S 4/2007 Taylor et al.

D549,688 S 8/2007 Suzuki

D563,382 S \* 3/2008 Wikel ..... D14/205

D573,581 S 7/2008 Gondo et al.

D576,604 S 9/2008 Suzuki

D581,394 S \* 11/2008 Lee ..... D14/205

D585,872 S 2/2009 Lee

D588,098 S 3/2009 Kurihara

D594,847 S \* 6/2009 Suzuki ..... D14/205

D597,070 S 7/2009 Zheng

D603,370 S 11/2009 Suzuki

D616,865 S 6/2010 Marchand et al.

D623,627 S 9/2010 Alden et al.

D625,705 S 10/2010 Ohori et al.

D632,668 S \* 2/2011 Brunner ..... D14/205

D634,732 S 3/2011 Kondo et al.

D639,776 S 6/2011 Arimoto

D641,003 S 7/2011 Alden

D642,554 S 8/2011 Schaal et al.

D650,356 S 12/2011 Alden et al.

D654,472 S \* 2/2012 Fischer ..... D14/206

D657,344 S \* 4/2012 Brunner ..... D14/205

D657,345 S \* 4/2012 Brunner ..... H04R 5/033  
D14/205

D662,080 S 6/2012 Carr et al.

D665,776 S 8/2012 Alden et al.

D665,777 S 8/2012 Alden et al.

D668,633 S \* 10/2012 Enquist ..... D14/205

D673,136 S 12/2012 Kelly et al.

D674,372 S 1/2013 Kelly et al.

D677,241 S 3/2013 Kelly et al.

D683,329 S 5/2013 Hagelin

D683,717 S 6/2013 Kelly et al.

D684,559 S \* 6/2013 Groset ..... D14/205

D685,759 S 7/2013 Kelly et al.

D689,464 S 9/2013 Bonahoom et al.

D691,582 S 10/2013 Nguyen et al.

D693,793 S 11/2013 Kelly et al.

D696,226 S \* 12/2013 Brunner ..... H04R 1/1008  
D14/205

D699,216 S 2/2014 Bonahoom et al.

D699,702 S 2/2014 Chen

8,646,466 B2 \* 2/2014 Howard ..... A45D 8/36  
132/275

D700,590 S \* 3/2014 Heath ..... D14/205

D701,193 S 3/2014 Kelly et al.

D702,210 S \* 4/2014 Birger ..... H04S 1/005  
D14/205

D703,183 S \* 4/2014 Moriya ..... H04R 1/1008  
D14/206

D707,654 S 6/2014 Nguyen et al.

8,755,555 B2 \* 6/2014 Dougherty ..... H04R 1/1066  
381/370

8,861,766 B2 10/2014 Ouryouji

D719,136 S 12/2014 Schaal et al.

D721,052 S 1/2015 Carr et al.

D722,590 S \* 2/2015 Lu ..... D14/205

D734,297 S 7/2015 Sasaki et al.

D739,842 S 9/2015 Birger

D750,041 S 2/2016 Birger

9,344,794 B1 5/2016 Blonder et al.

D758,337 S 6/2016 Szymanski

D765,055 S 8/2016 Hsieh et al.

D776,520 S 1/2017 Iijima et al.

D784,298 S 4/2017 Ozawa et al.

D787,469 S 5/2017 Djohar et al.

D787,470 S 5/2017 Kelly et al.

D795,218 S 8/2017 Ohmachi

D800,691 S 10/2017 Ando et al.

D811,365 S 2/2018 Czaniecki

D813,837 S 3/2018 Paterson

D814,439 S 4/2018 Birath et al.

D826,209 S 8/2018 Homewood

D828,326 S 9/2018 Ye

D830,330 S \* 10/2018 Petersen ..... D14/205

D837,763 S \* 1/2019 Suzuki ..... D14/205

D837,764 S 1/2019 Xiao

D840,370 S 2/2019 Kelly et al.

D843,967 S 3/2019 Paterson et al.

D851,627 S 6/2019 ter Laag et al.

D854,513 S 7/2019 Miyake et al.

D857,652 S 8/2019 Wang

D859,353 S \* 9/2019 Wagner ..... D14/205

D860,161 S 9/2019 Xia

D861,636 S 10/2019 Carr

D864,896 S \* 10/2019 Zhang ..... D14/205

D864,897 S 10/2019 Qin et al.

D864,899 S \* 10/2019 He ..... D14/205

D868,731 S 12/2019 Jung

D868,733 S 12/2019 Luo

D869,432 S 12/2019 Jung

D869,437 S 12/2019 Hu

D870,064 S \* 12/2019 Petersen ..... D14/205

D872,049 S 1/2020 Saule et al.

D877,714 S \* 3/2020 Dhondt ..... D14/205

D878,327 S 3/2020 Dhondt et al.

D879,065 S \* 3/2020 Chan ..... D14/205

D881,840 S \* 4/2020 Chen ..... D14/205

D881,842 S \* 4/2020 Hu ..... D14/205

10,616,677 B2 4/2020 Bozaglo

2004/0213428 A1 10/2004 Lenhard-Backhaus

2006/0027245 A1 2/2006 Spector

2006/0062417 A1 3/2006 Tachikawa

2008/0056525 A1 \* 3/2008 Fujiwara ..... H04R 1/1066  
381/374

2009/0010474 A1 1/2009 Ouryouji

2011/0002478 A1 1/2011 Pollard et al.

2011/0162883 A1 \* 7/2011 Groset ..... H01B 7/292  
174/70 R

2014/0056459 A1 2/2014 Oishi et al.

2016/0198250 A1 \* 7/2016 Pan ..... G06F 3/0304  
381/74

2019/0238984 A1 8/2019 Fukushima et al.

OTHER PUBLICATIONS

Catalog for “2010 Product Catalog”, Shure Incorporated, p. 60, publication date unknown but prior to the filing date of the present application (1page).

Catalog for “2010 Product Catalog”, Shure Incorporated, p. 61, publication date unknown but prior to the filing date of the present application (1page).

Catalog for “2011 Product Catalog”, Shure Incorporated, p. 60, publication date unknown but prior to the filing date of the present application (1page).

Catalog for “2011 Product Catalog”, Shure Incorporated, p. 61, publication date unknown but prior to the filing date of the present application (1page).

(56)

**References Cited**

OTHER PUBLICATIONS

Catalog for "2012 Product Catalog", Shure Incorporated, p. 3, publication date unknown but prior to the filing date of the present application (1page).

Catalog for "2012 Product Catalog", Shure Incorporated, p. 56, publication date unknown but prior to the filing date of the present application (1page).

Catalog for "2012 Product Catalog", Shure Incorporated, p. 60, publication date unknown but prior to the filing date of the present application (1page).

Catalog for "2013 Product Catalog", Shure Incorporated, p. 22, publication date unknown but prior to the filing date of the present application (1page).

Catalog for "2015 Product Catalog", Shure Incorporated, p. 87, publication date unknown but prior to the filing date of the present application (1page).

Catalog for "2017 Product Catalog", Shure Incorporated, p. 26, publication date unknown but prior to the filing date of the present application (1page).

\* cited by examiner

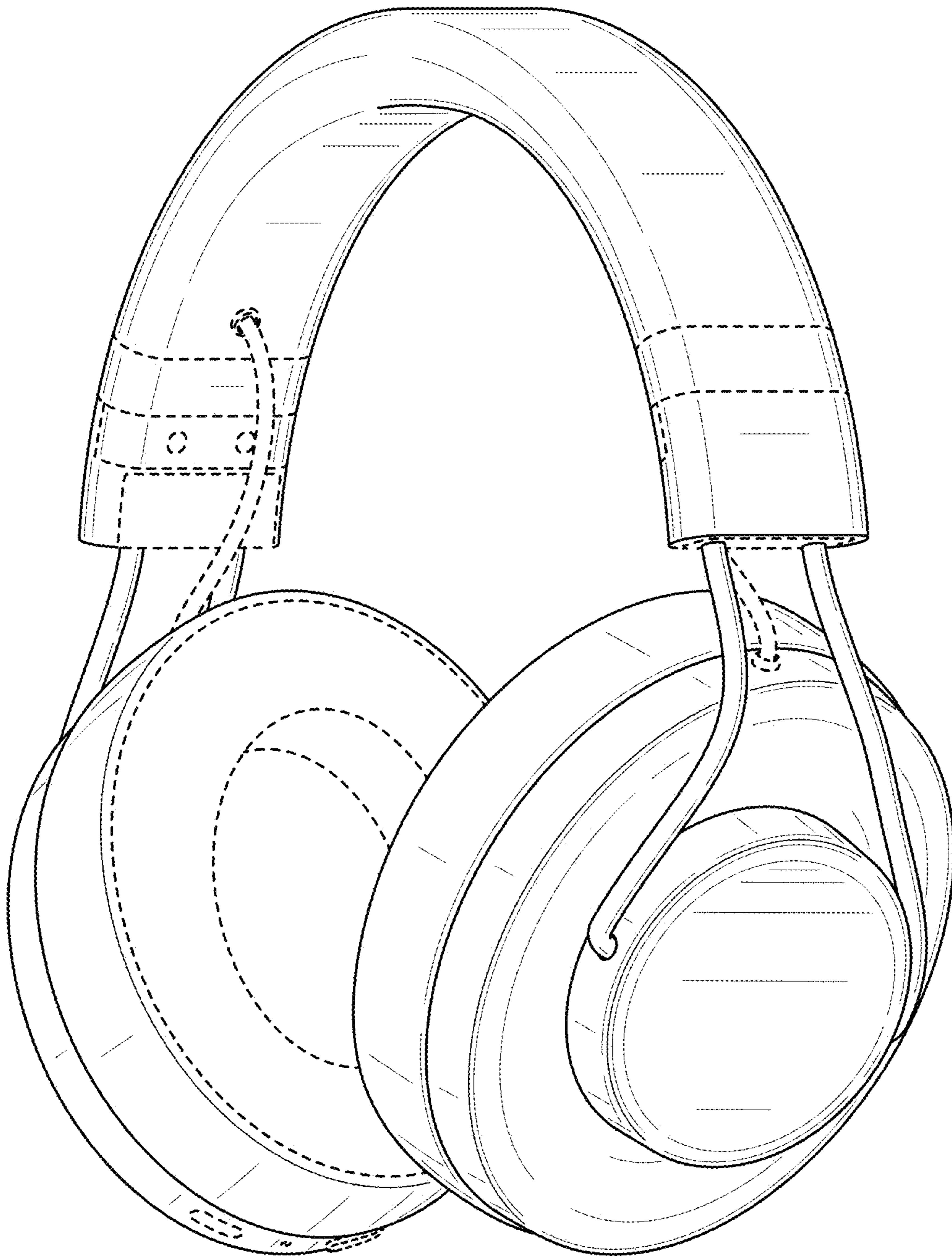


FIG. 1



FIG. 2



FIG. 3

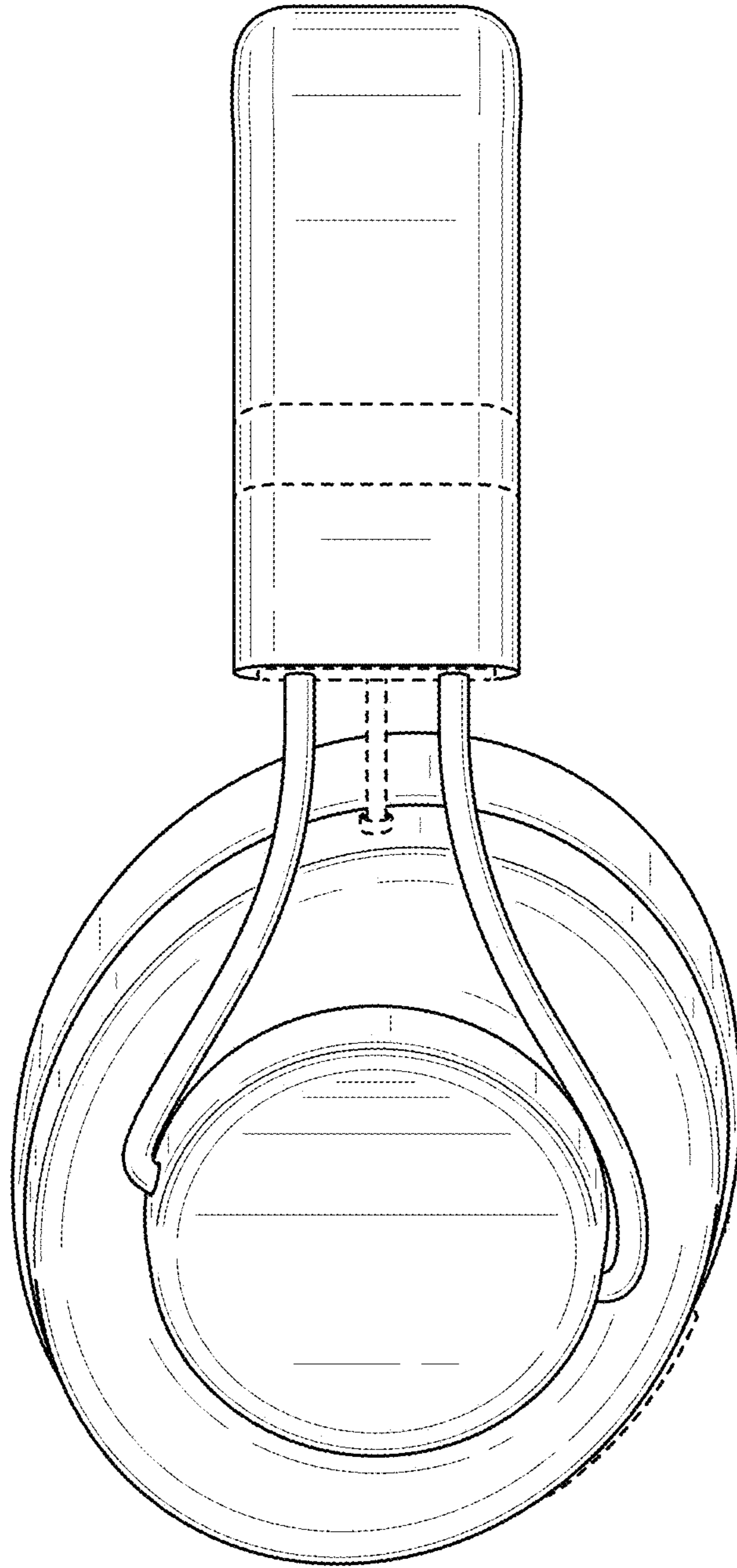


FIG. 4

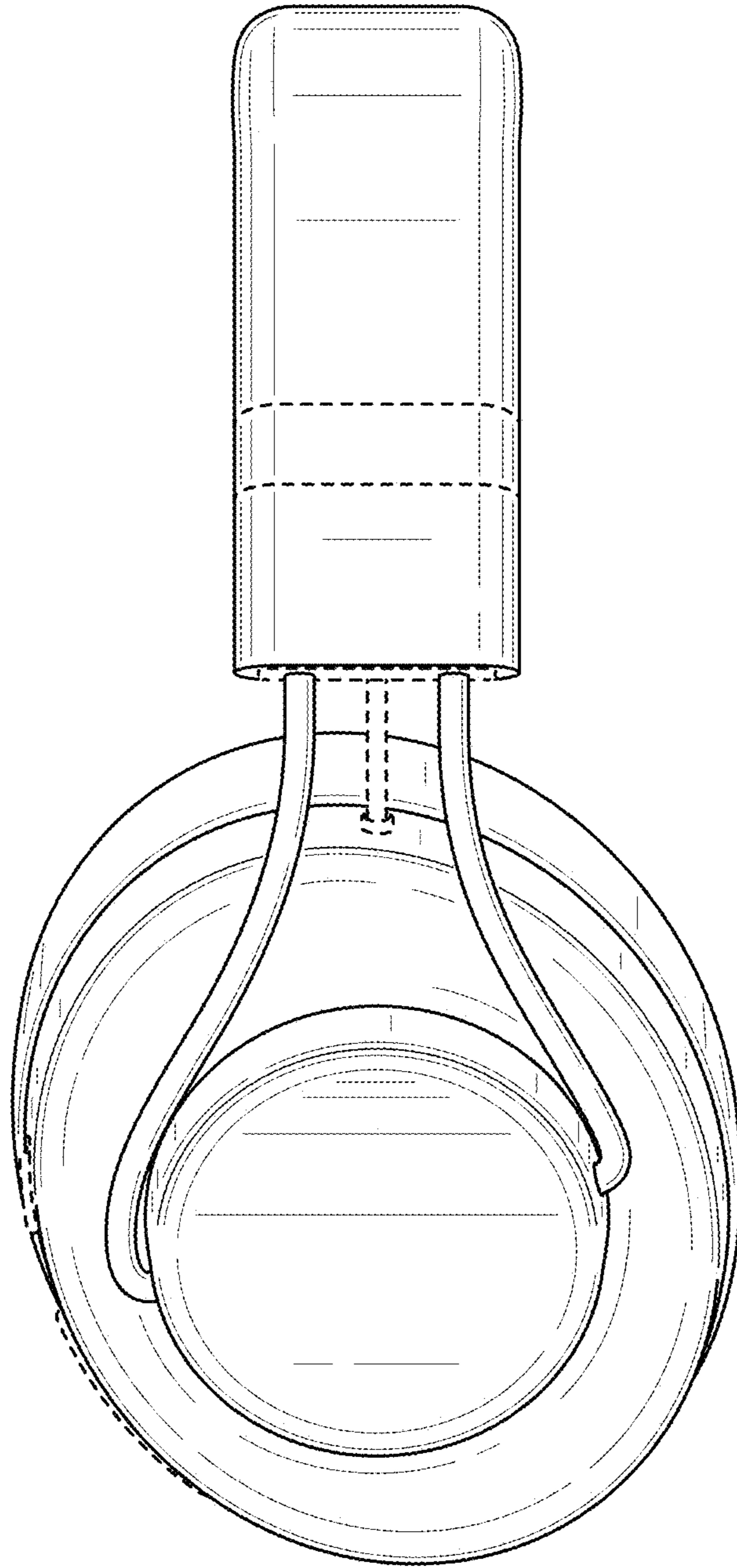


FIG. 5



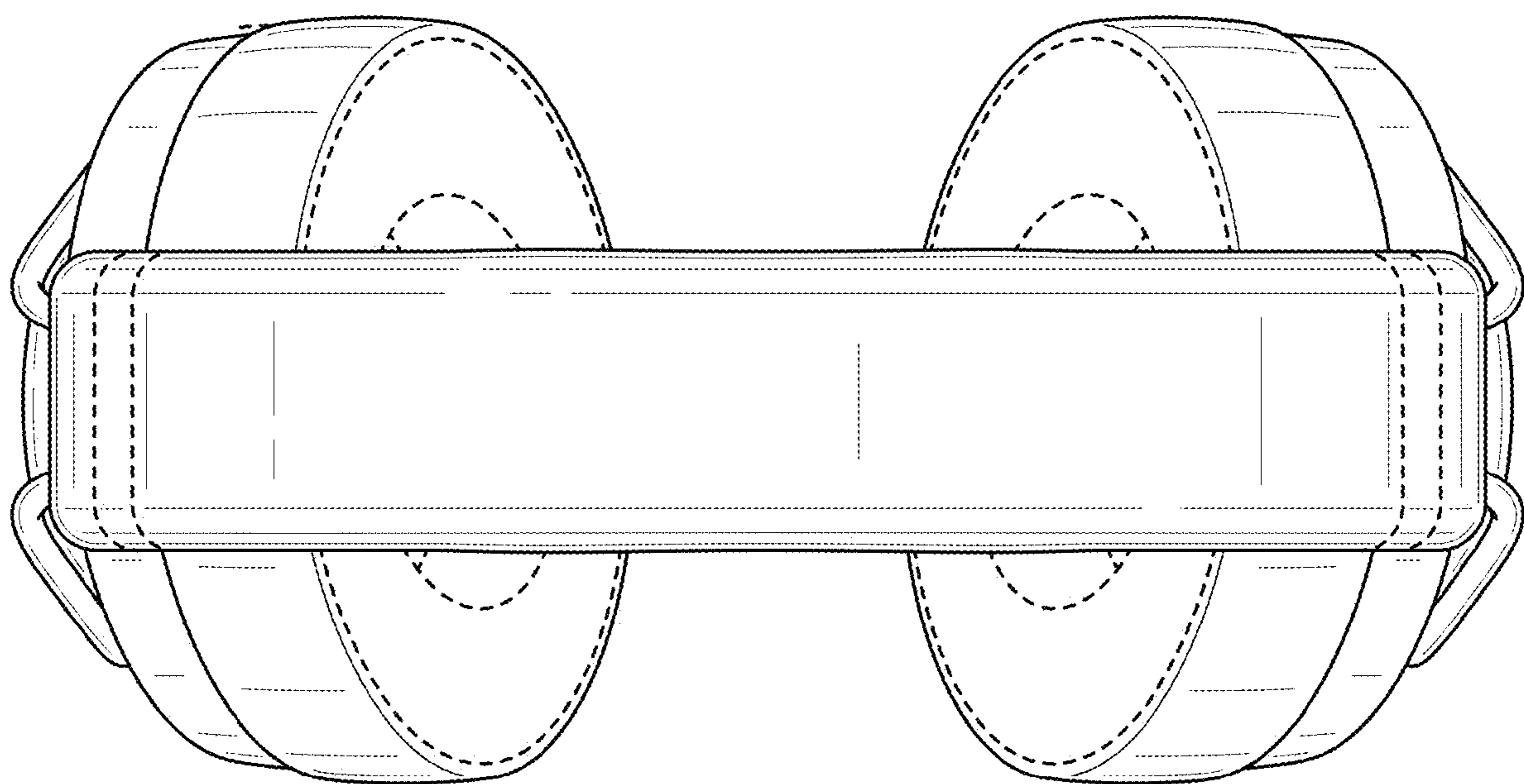


FIG. 6

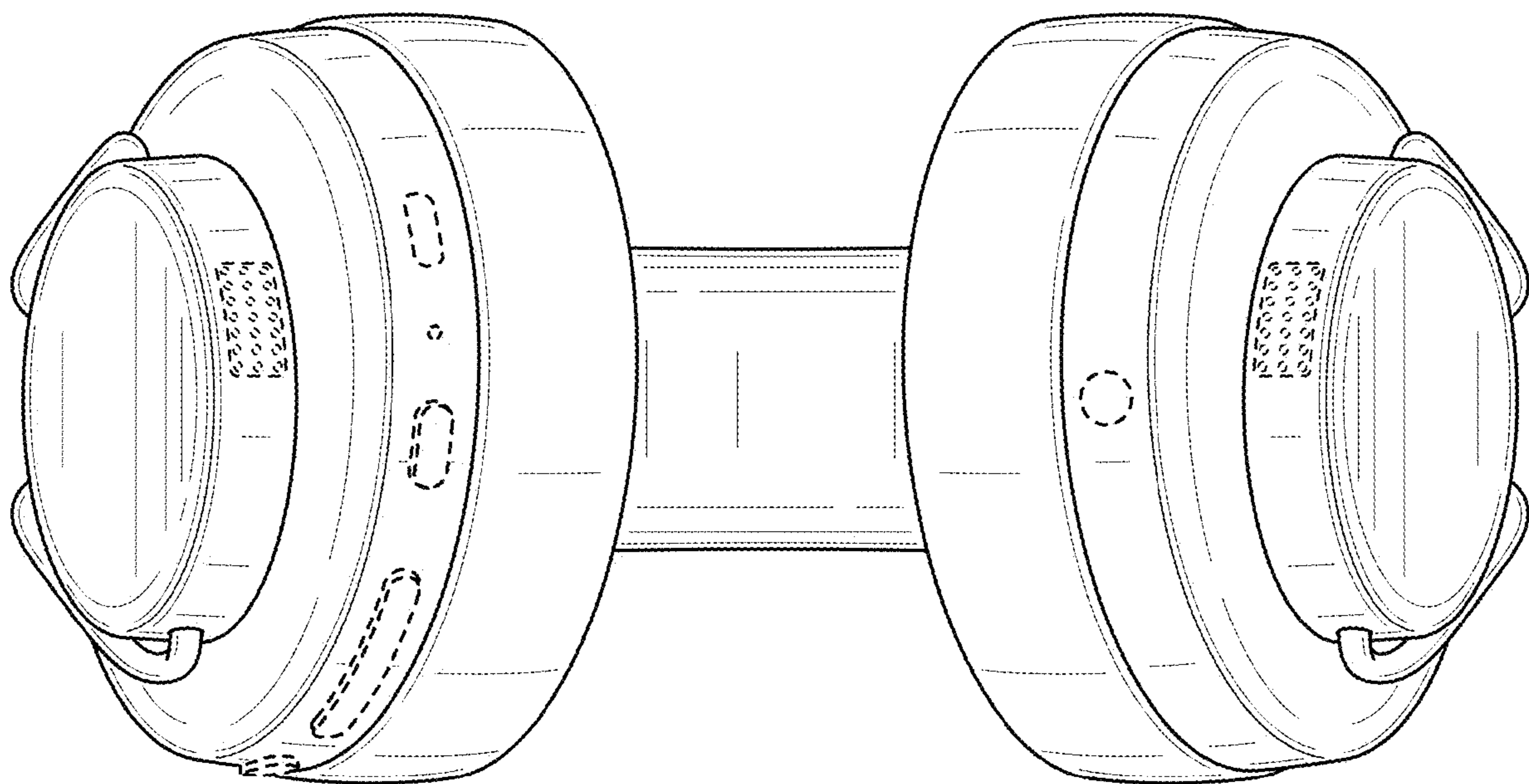


FIG. 7

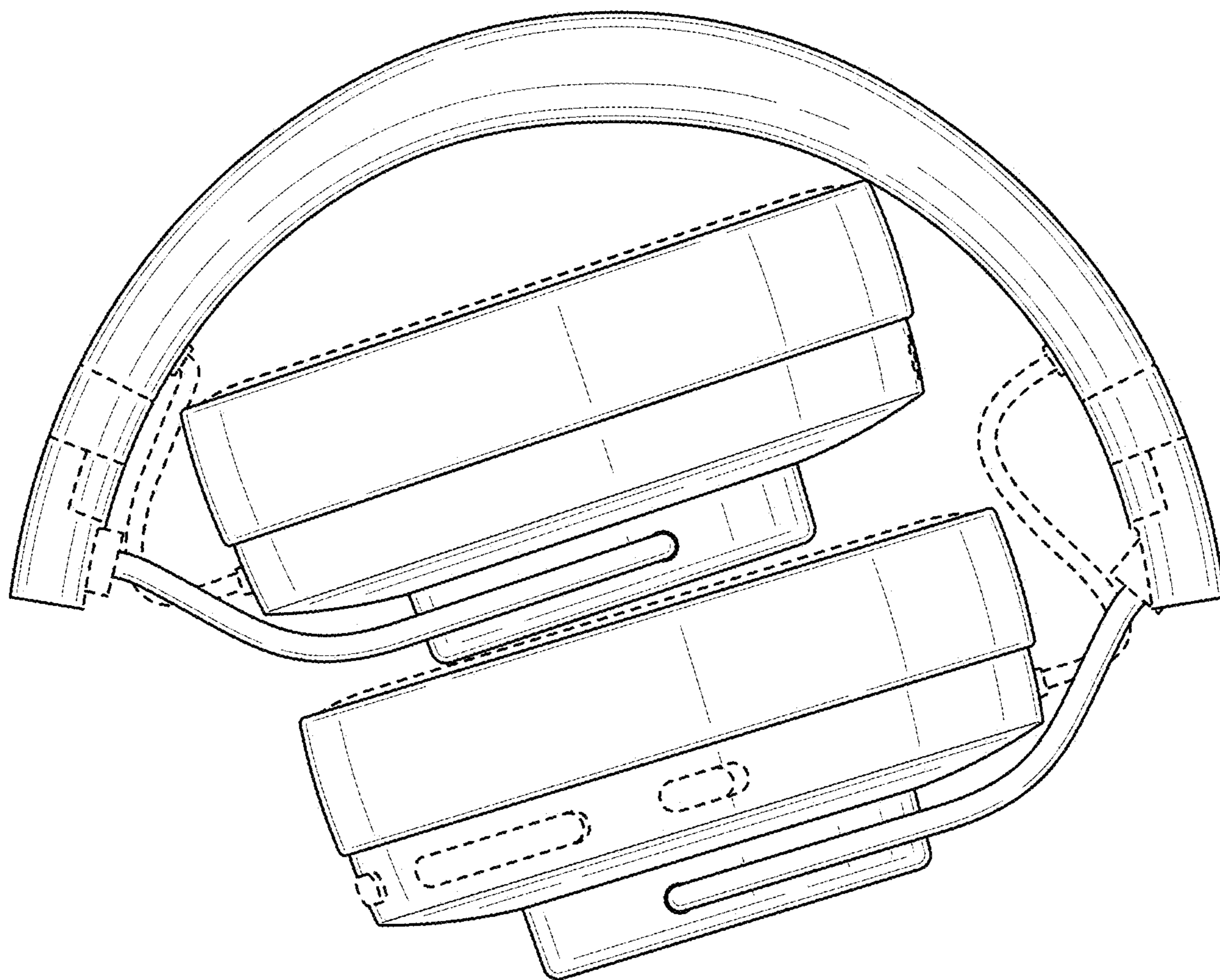


FIG. 8