



US00D903630S

(12) **United States Design Patent** (10) **Patent No.:** **US D903,630 S**
Hosoda et al. (45) **Date of Patent:** **** Dec. 1, 2020**

(54) **EARPHONE**

(71) Applicant: **SONY CORPORATION**, Tokyo (JP)

(72) Inventors: **Yasuhide Hosoda**, Kanagawa (JP);
Satoshi Suzuki, Kanagawa (JP); **Go Igarashi**, Tokyo (JP)

(73) Assignee: **SONY CORPORATION**, Tokyo (JP)

(**) Term: **15 Years**

(21) Appl. No.: **29/647,216**

(22) Filed: **May 10, 2018**

Related U.S. Application Data

(63) Continuation-in-part of application No. 29/558,350,
filed on Mar. 16, 2016, now Pat. No. Des. 819,594.

(30) **Foreign Application Priority Data**

Feb. 29, 2016 (JP) D2016-004475
Feb. 29, 2016 (JP) D2016-004476

(Continued)

(51) **LOC (12) Cl.** **14-01**

(52) **U.S. Cl.**
USPC **D14/205**

(58) **Field of Classification Search**
USPC D14/205, 223, 253, 240, 242, 256, 433;
D24/174; 128/865, 866, 867; 181/129,
(Continued)

(56) **References Cited**

U.S. PATENT DOCUMENTS

590,374 A * 9/1897 Osburn 174/68.3
1,224,331 A 5/1917 Smart

(Continued)

FOREIGN PATENT DOCUMENTS

EM 003029735-0012 * 3/2016

OTHER PUBLICATIONS

Office Action issued in U.S. Appl. No. 29/691,147, dated Jul. 30, 2020.

Primary Examiner — Paula Allen Greene
(74) *Attorney, Agent, or Firm* — Michael Best and Friedrich LLP

(57) **CLAIM**

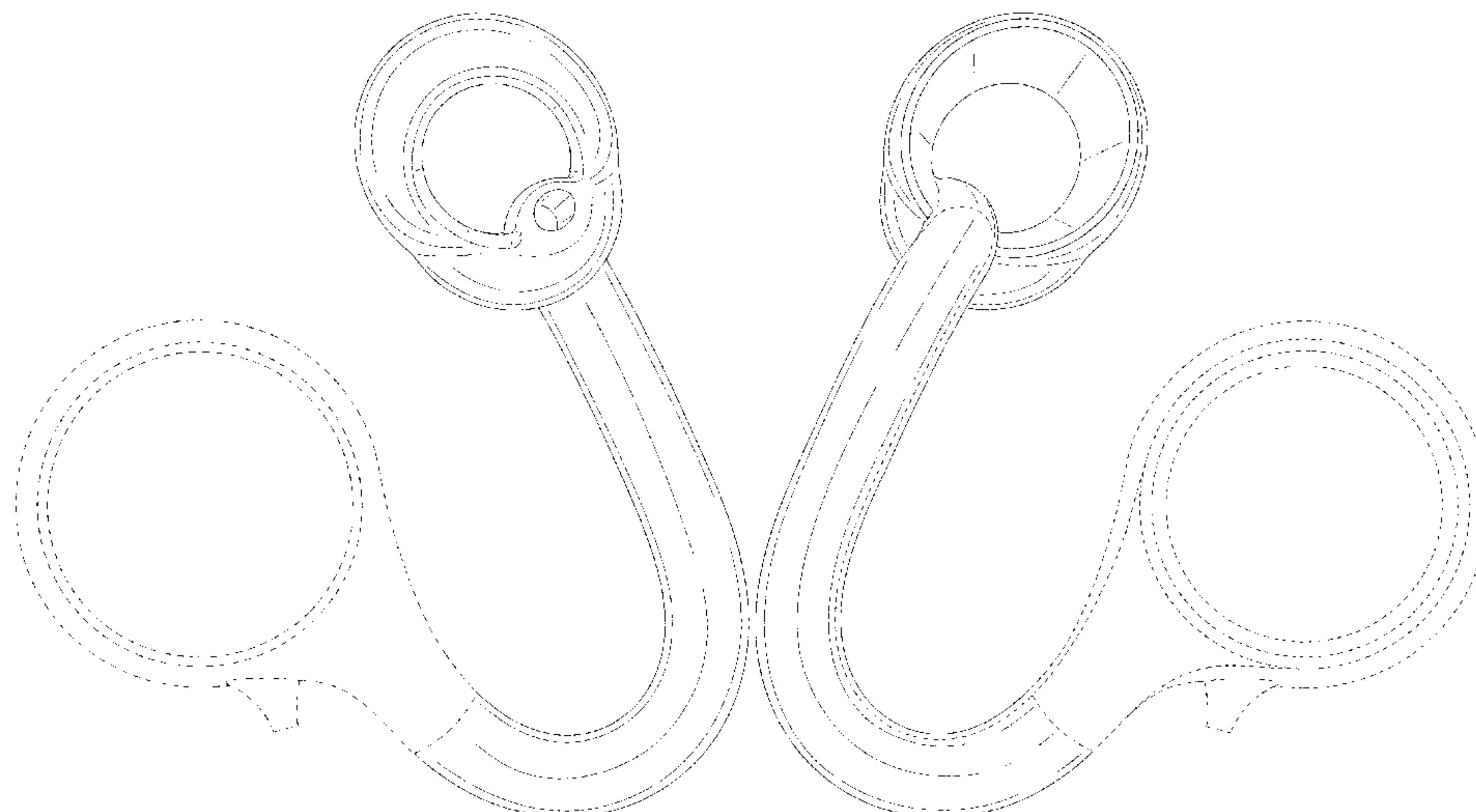
The ornamental design for an earphone, as shown and described.

DESCRIPTION

FIG. 1 is a front, top, right perspective view of a first embodiment of an earphone showing my new design; FIG. 2 is a rear, top, right perspective view thereof; FIG. 3 is a front elevational view thereof; FIG. 4 is a rear elevational view thereof; FIG. 5 is a left side elevational view thereof; FIG. 6 is a right side elevational view thereof; FIG. 7 is a top plan view thereof; and FIG. 8 is a bottom plan view thereof. FIG. 9 is a front, top, right perspective view of a second embodiment of an earphone showing my new design; FIG. 10 is a rear, top, right perspective view thereof; FIG. 11 is a front elevational view thereof; FIG. 12 is a rear elevational view thereof; FIG. 13 is a left side elevational view thereof; FIG. 14 is a right side elevational view thereof; FIG. 15 is a top plan view thereof; and, FIG. 16 is a bottom plan view thereof.

The broken lines illustrating the unclaimed portions of the earphone are for illustrative purposes only and form no part of the claimed design. Dot-dash broken lines define the boundaries of the claimed design and form no part of the claimed design.

1 Claim, 16 Drawing Sheets



(30) Foreign Application Priority Data

Feb. 29, 2016 (JP) D2016-004477
 Feb. 29, 2016 (JP) D2016-004478
 Feb. 29, 2016 (JP) D2016-004480
 Feb. 29, 2016 (JP) D2016-004481
 Feb. 29, 2016 (JP) D2016-004482
 Feb. 29, 2016 (JP) D2016-004483
 Feb. 29, 2016 (JP) D2016-004484
 Feb. 29, 2016 (JP) D2016-004485
 Feb. 29, 2020 (JP) D2016-004479

(58) Field of Classification Search

USPC 181/130, 135; 379/430, 431; 381/380,
 381/381, 374, 74; 600/383, 388, 393;
 455/90.3, 575.1, 569.1; D13/133, 154,
 D13/155
 CPC H04R 1/10; H04R 25/00; H04R 1/1066;
 H04R 1/1016; H04R 1/105; H04R 5/033;
 H04R 5/0335; H04R 1/00
 See application file for complete search history.

(56) References Cited

U.S. PATENT DOCUMENTS

1,953,437 A * 4/1934 Schier A61F 11/00
 128/864
 2,481,387 A 9/1949 Bonecutter
 2,545,731 A * 3/1951 French H04R 25/604
 181/135
 2,566,313 A 9/1951 Cates
 2,573,132 A 10/1951 French
 2,584,402 A 2/1952 Volkmann
 D176,810 S * 1/1956 Norris D14/192
 2,738,850 A * 3/1956 Tooker H04R 25/60
 181/135
 2,739,660 A * 3/1956 French H04R 25/60
 181/135
 2,754,365 A 7/1956 Walters
 2,930,856 A 3/1960 Toht
 3,068,954 A * 12/1962 Strzalkowski H04R 25/556
 181/135
 3,169,600 A 2/1965 Thomas
 3,440,365 A 4/1969 Bryant et al.
 3,548,118 A * 12/1970 Hutchings H04M 1/05
 379/430
 3,906,478 A 9/1975 Smey
 4,020,297 A 4/1977 Brodie
 D244,611 S * 6/1977 Gietzen D13/133
 4,048,453 A 9/1977 Seidel
 4,381,830 A * 5/1983 Jelonek H04R 25/48
 181/129
 4,407,389 A * 10/1983 Johnson H04R 25/652
 181/130
 4,455,457 A 6/1984 Akira
 4,585,089 A 4/1986 Topholm
 4,802,638 A * 2/1989 Burger B65H 75/143
 242/388.1
 4,864,610 A * 9/1989 Stevens H04M 1/05
 379/431
 D311,521 S * 10/1990 Jonsson D14/206
 D315,350 S 3/1991 Ikeda
 D348,067 S 6/1994 Lucey et al.
 5,348,477 A * 9/1994 Welch G02B 27/0172
 434/40
 D368,309 S * 3/1996 Narisawa D24/106
 5,606,621 A 2/1997 Reiter et al.
 5,659,156 A * 8/1997 Mauney H04R 1/1016
 181/130
 D388,093 S * 12/1997 Frengley D14/223
 5,712,453 A * 1/1998 Bungardt H04R 1/105
 181/135

5,829,062 A * 11/1998 Magidson A61F 11/12
 2/209
 5,975,235 A * 11/1999 Schlaegel H04R 25/48
 181/129
 D419,564 S * 1/2000 McDonald D14/223
 6,105,714 A * 8/2000 Lindgren A61F 11/08
 181/135
 D441,739 S * 5/2001 Hayes D14/223
 6,386,314 B1 5/2002 Sheehan et al.
 6,418,230 B1 7/2002 McDonald
 6,463,157 B1 10/2002 May
 D465,472 S 11/2002 Bosch
 D470,129 S 2/2003 Hlas et al.
 D470,833 S 2/2003 Rath et al.
 D472,890 S 4/2003 Suzuki
 D478,991 S * 8/2003 Dyer D24/174
 D480,050 S * 9/2003 Darrow D13/133
 D482,022 S 11/2003 Nakano
 D504,672 S 5/2005 Hirano
 D504,883 S 5/2005 Jacobson
 D515,069 S 2/2006 Naito
 D532,770 S 11/2006 Engstrom et al.
 7,139,404 B2 11/2006 Feeley et al.
 D542,225 S * 5/2007 Victor D13/154
 D561,739 S 2/2008 Ikeda et al.
 D565,024 S * 3/2008 Kim D14/205
 7,346,180 B2 3/2008 Ham
 D573,137 S 7/2008 Polito
 D599,781 S 9/2009 Lee et al.
 D601,134 S * 9/2009 Elabidi D14/223
 D604,273 S * 11/2009 Tamura D14/223
 7,720,244 B2 * 5/2010 Espersen H04R 25/656
 381/330
 D618,219 S * 6/2010 Burgett D14/223
 D622,705 S * 8/2010 Fahrendorff D14/223
 D640,670 S * 6/2011 Rye D14/223
 7,965,855 B1 * 6/2011 Ham H04R 1/1091
 181/130
 D641,883 S 7/2011 Nielsen
 D643,415 S * 8/2011 Vasquez D14/223
 8,005,251 B2 8/2011 Chan
 D647,514 S * 10/2011 Wikel D14/223
 8,111,864 B2 * 2/2012 Oliveira H04R 1/10
 381/328
 8,161,974 B2 * 4/2012 Post A61F 9/029
 128/866
 D664,124 S * 7/2012 Smith D14/223
 D666,581 S 9/2012 Perez
 D670,814 S * 11/2012 Kwon D24/174
 D683,332 S 5/2013 Lee
 D718,272 S 11/2014 Clayton et al.
 8,963,002 B2 * 2/2015 Wang H01B 7/06
 174/69
 D727,301 S 4/2015 Smith
 D740,786 S 10/2015 Huang et al.
 D772,417 S * 11/2016 Li D24/174
 D773,438 S 12/2016 Walker
 D779,461 S 2/2017 Smith
 D781,822 S 3/2017 Morris
 D819,594 S * 6/2018 Hosoda D14/205
 10,021,496 B2 * 7/2018 Clausen H04R 1/1016
 2003/0002700 A1 1/2003 Fretz et al.
 2003/0048916 A1 * 3/2003 Chen H04R 1/1058
 381/374
 2004/0264720 A1 12/2004 Huang et al.
 2005/0002539 A1 1/2005 Nielsen
 2008/0298626 A1 12/2008 Dean
 2009/0067658 A1 * 3/2009 Lin H04R 1/2842
 381/345
 2009/0226024 A1 9/2009 Dean
 2009/0285433 A1 11/2009 Yang et al.
 2013/0188803 A1 7/2013 Shaanan et al.
 2017/0026738 A1 1/2017 Tang
 2019/0052950 A1 * 2/2019 Igarashi H04R 1/1033

* cited by examiner

FIG. 1

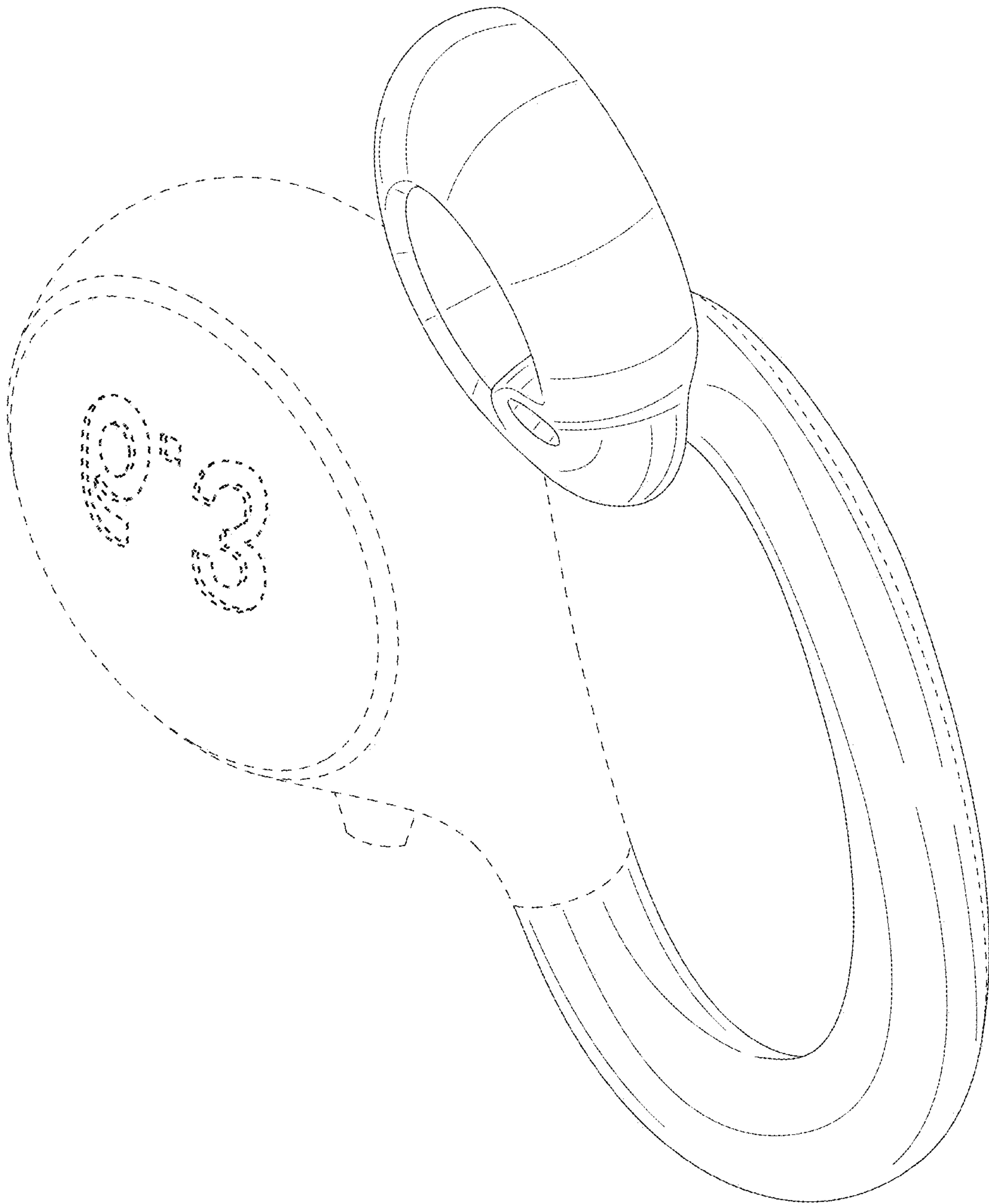


FIG.2

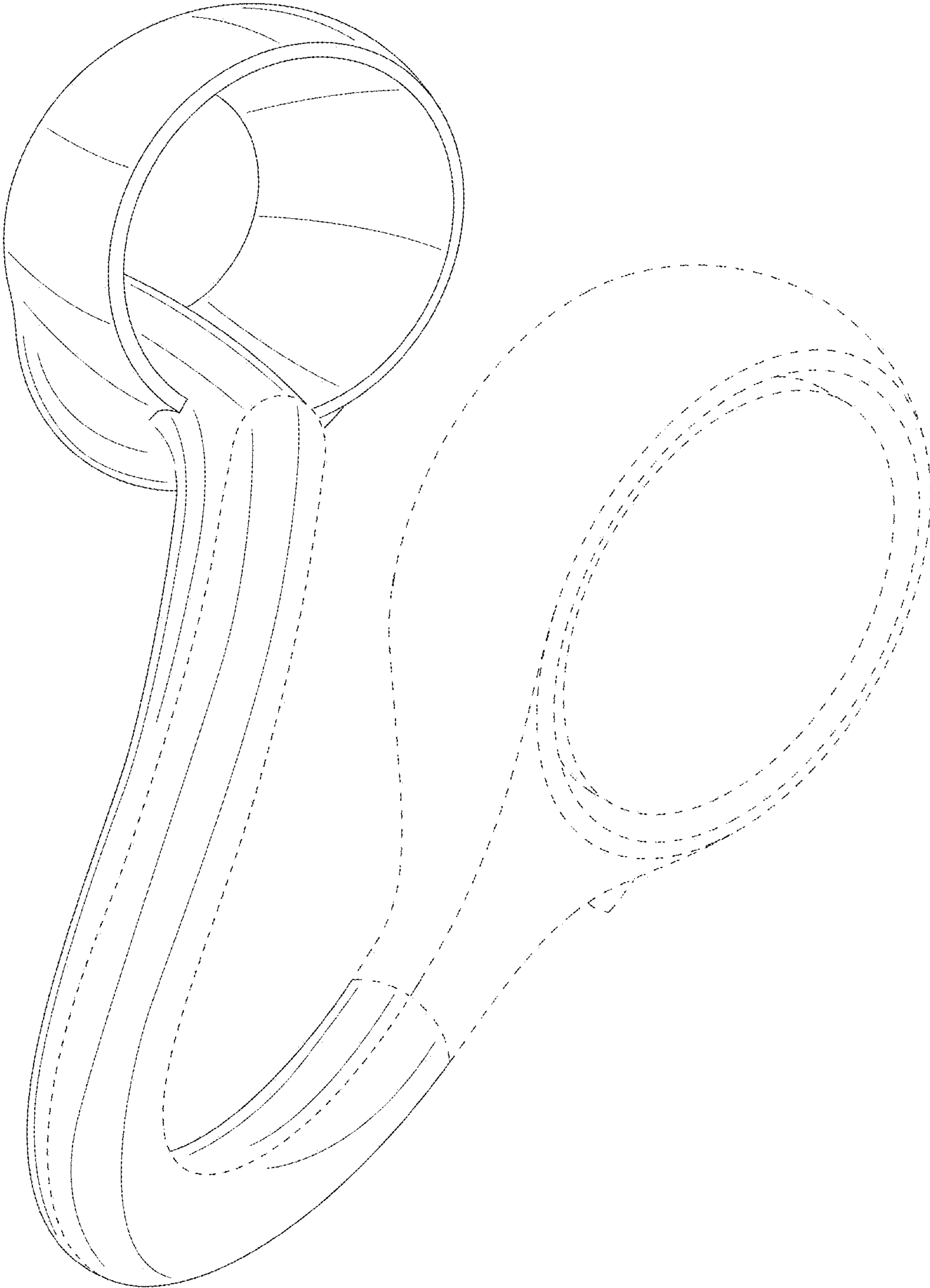


FIG.3

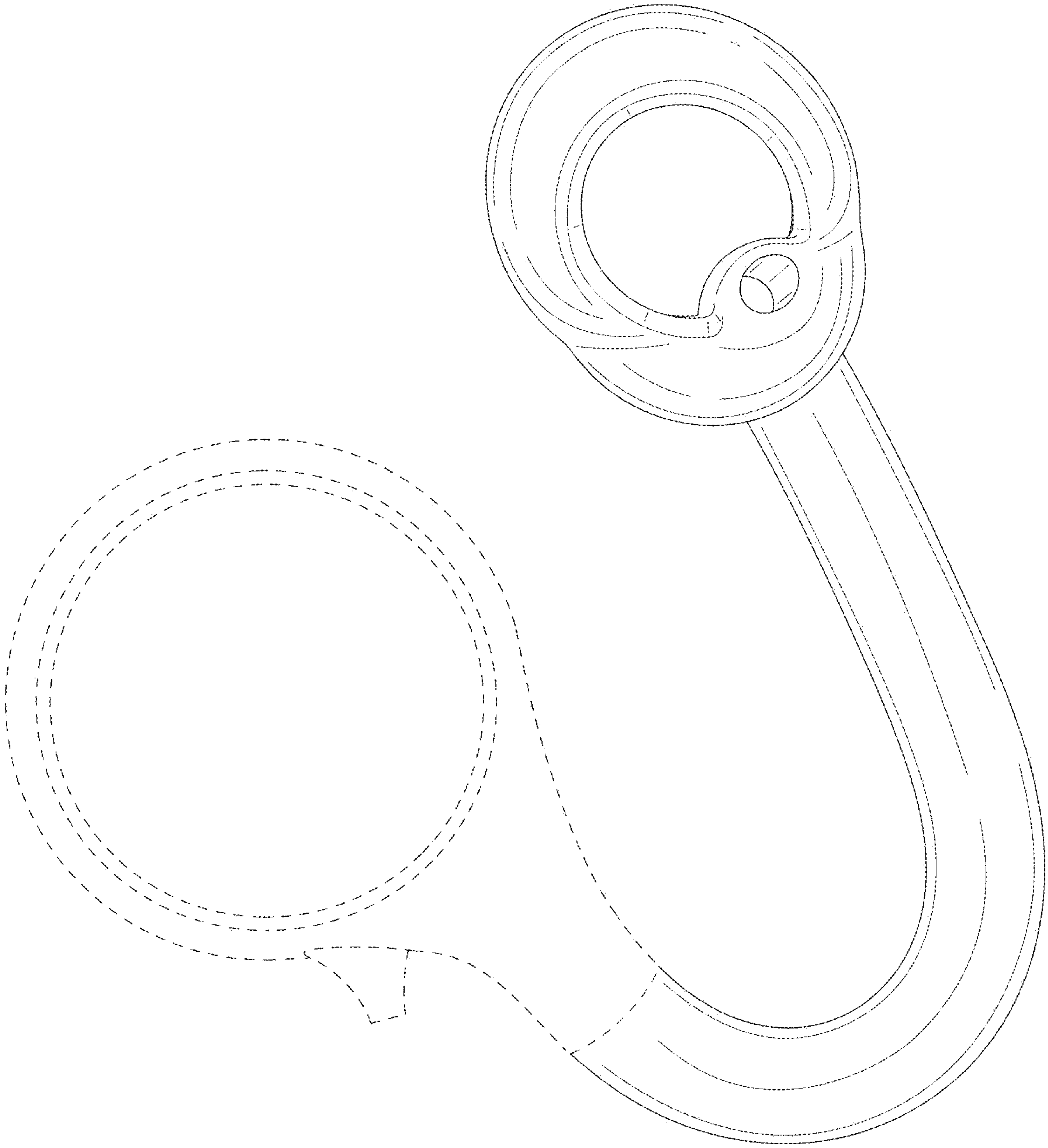


FIG.4

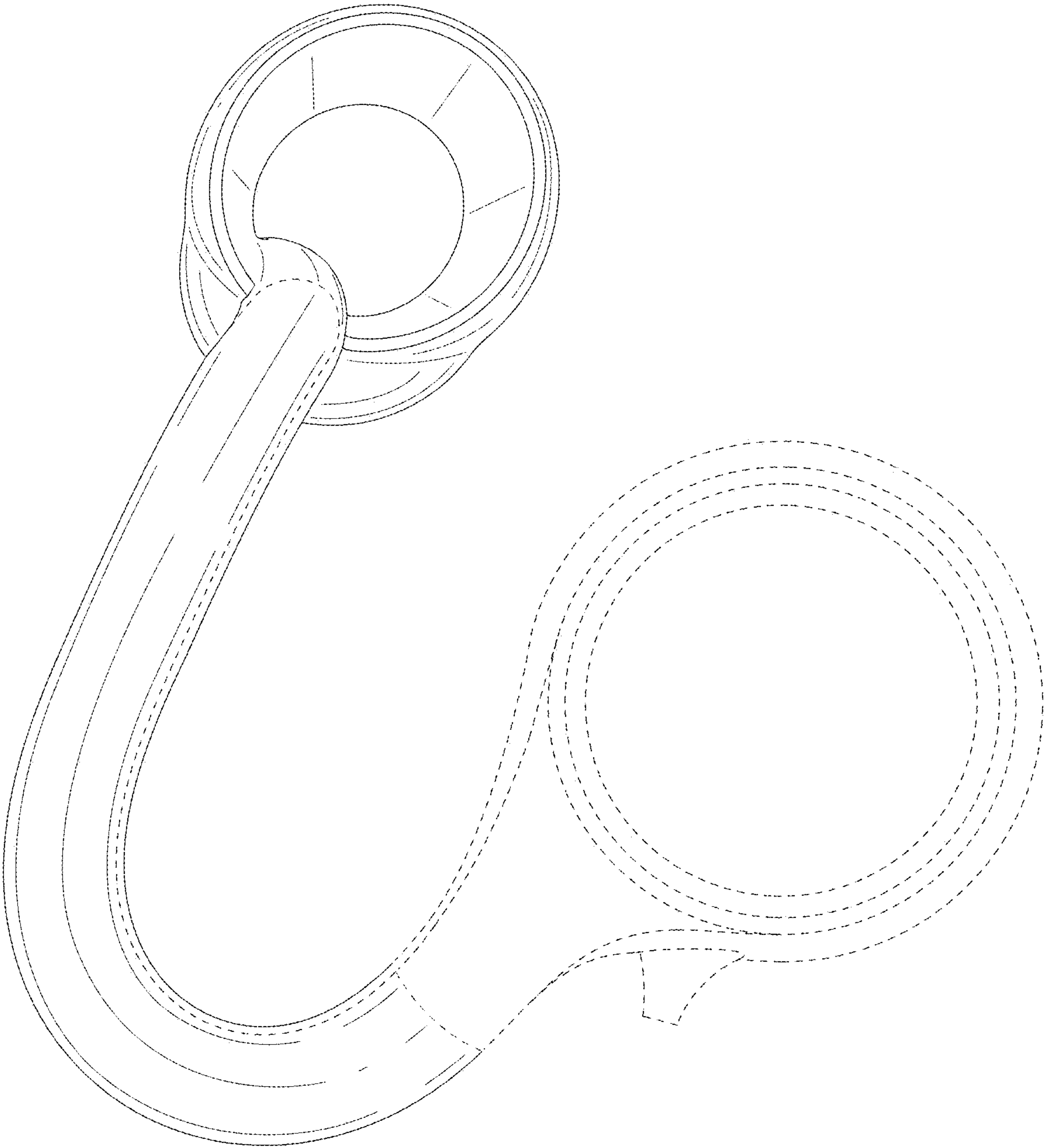


FIG.5

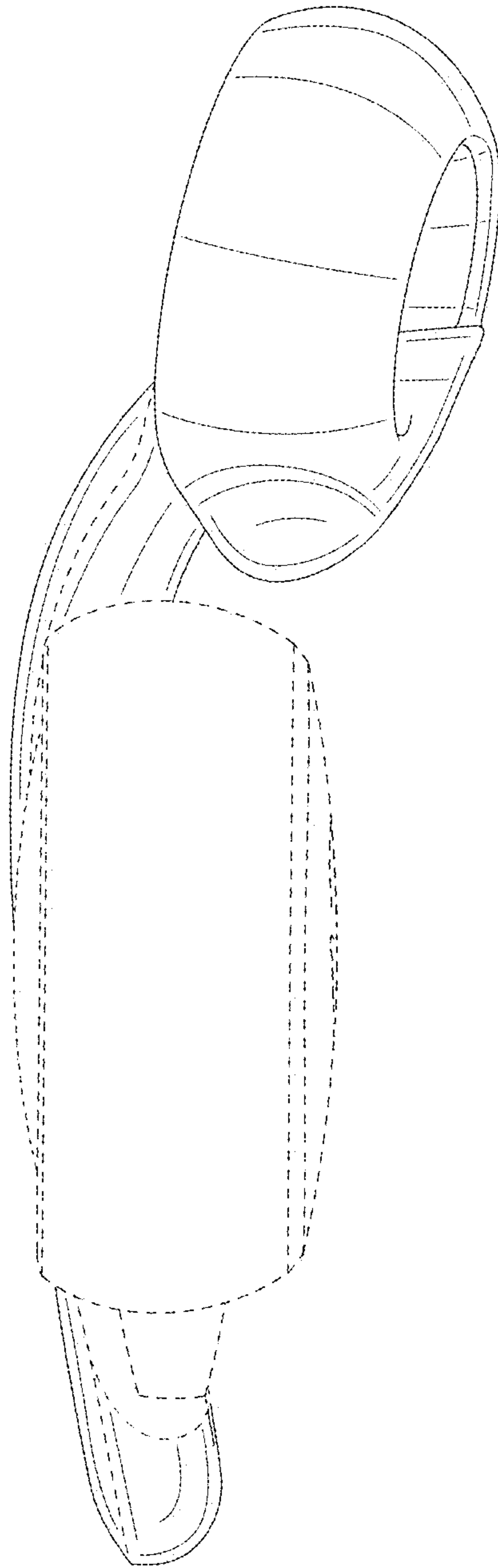


FIG.6

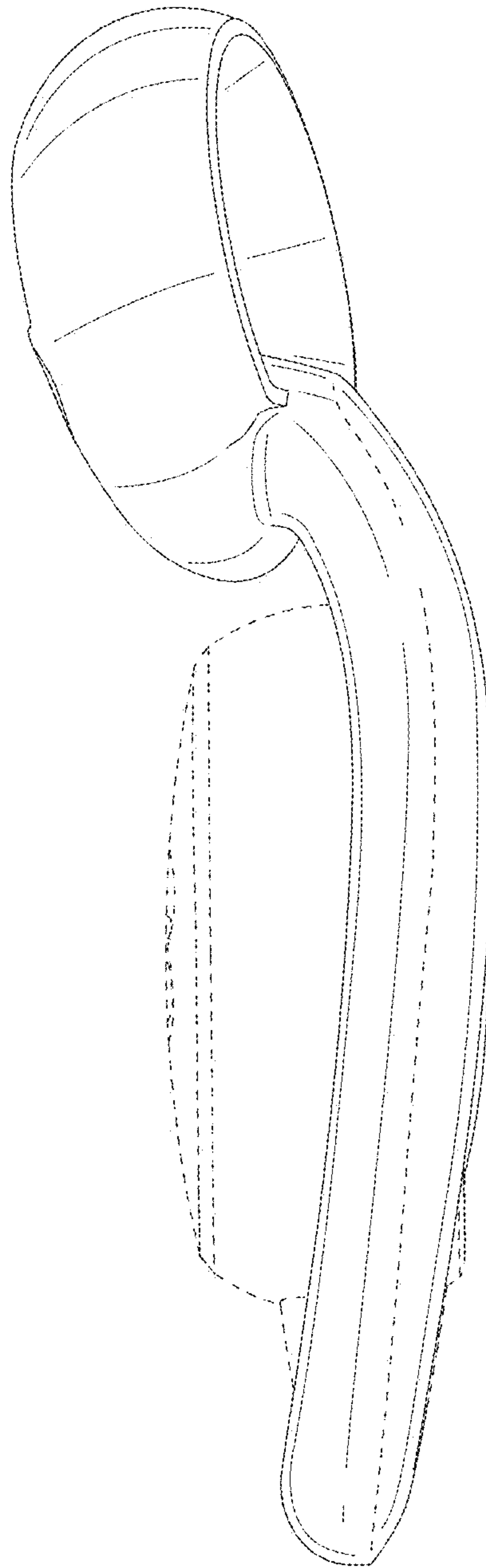


FIG.7

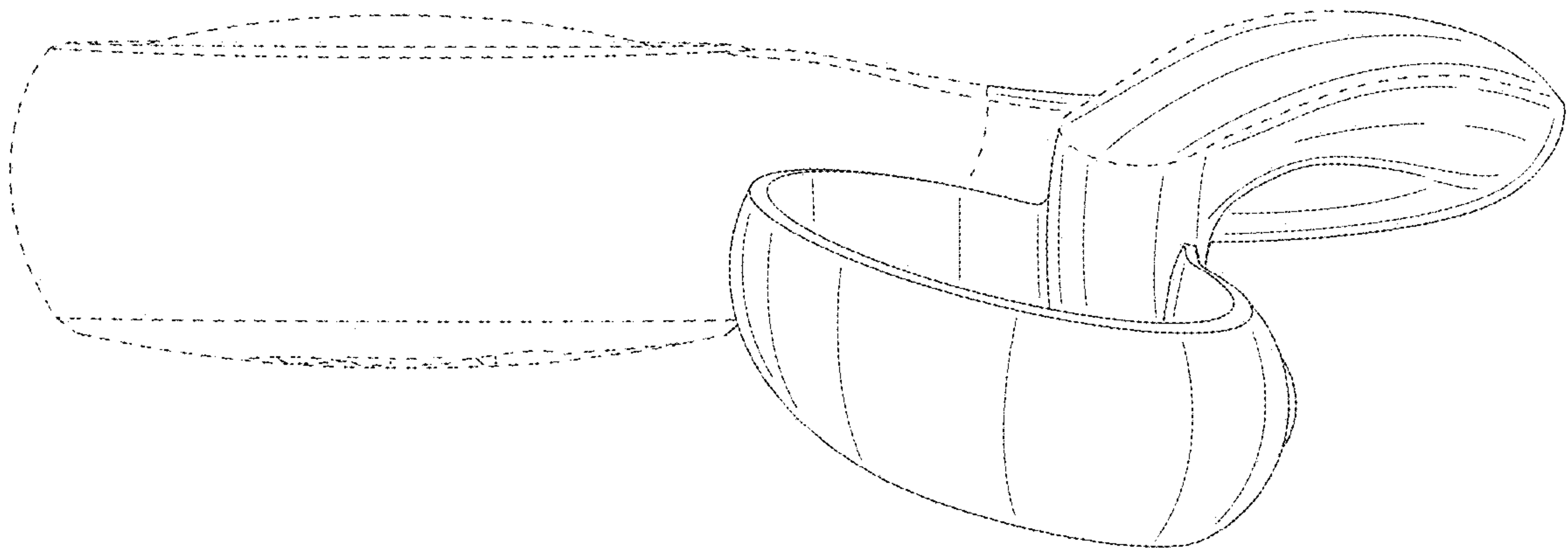


FIG.8

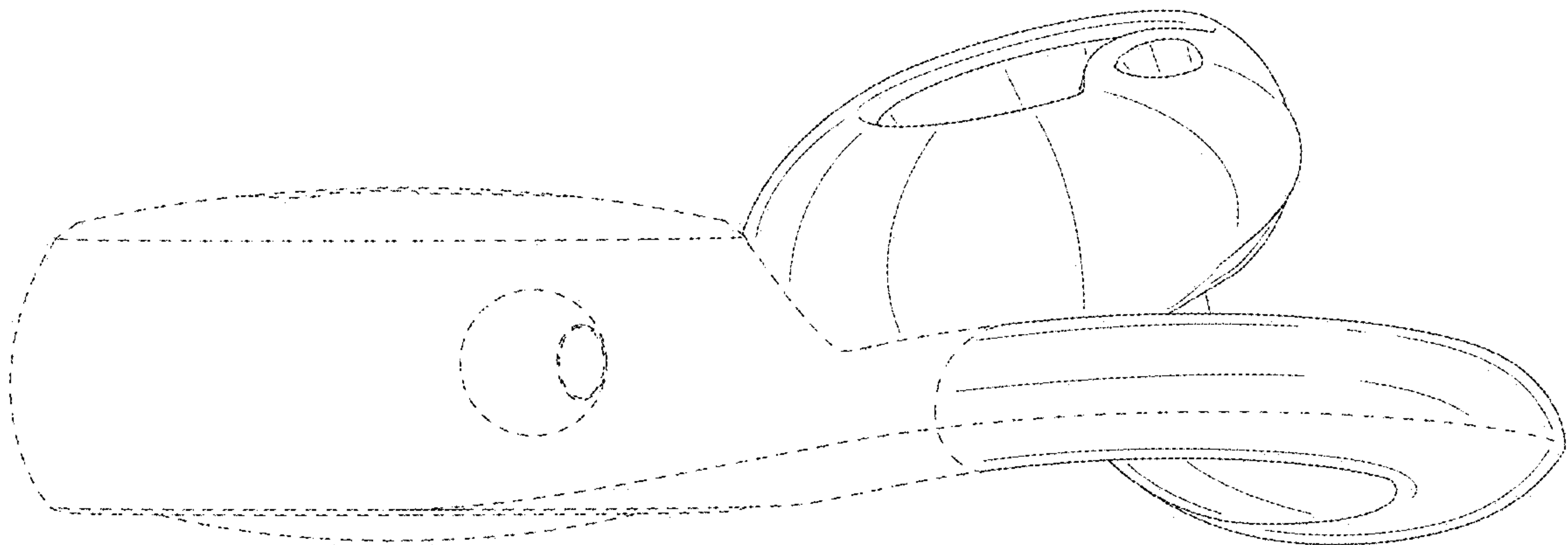


FIG.9

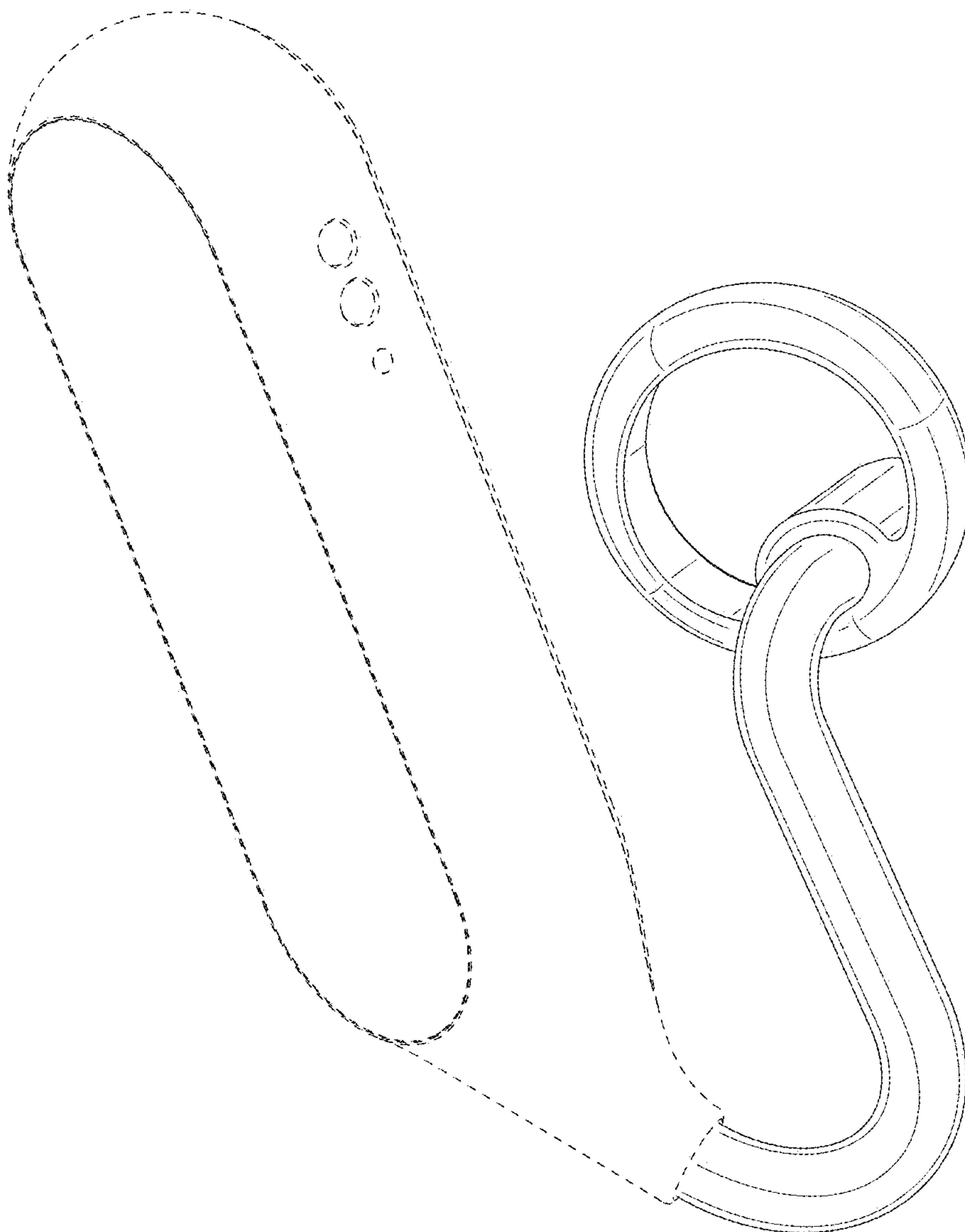


FIG.10

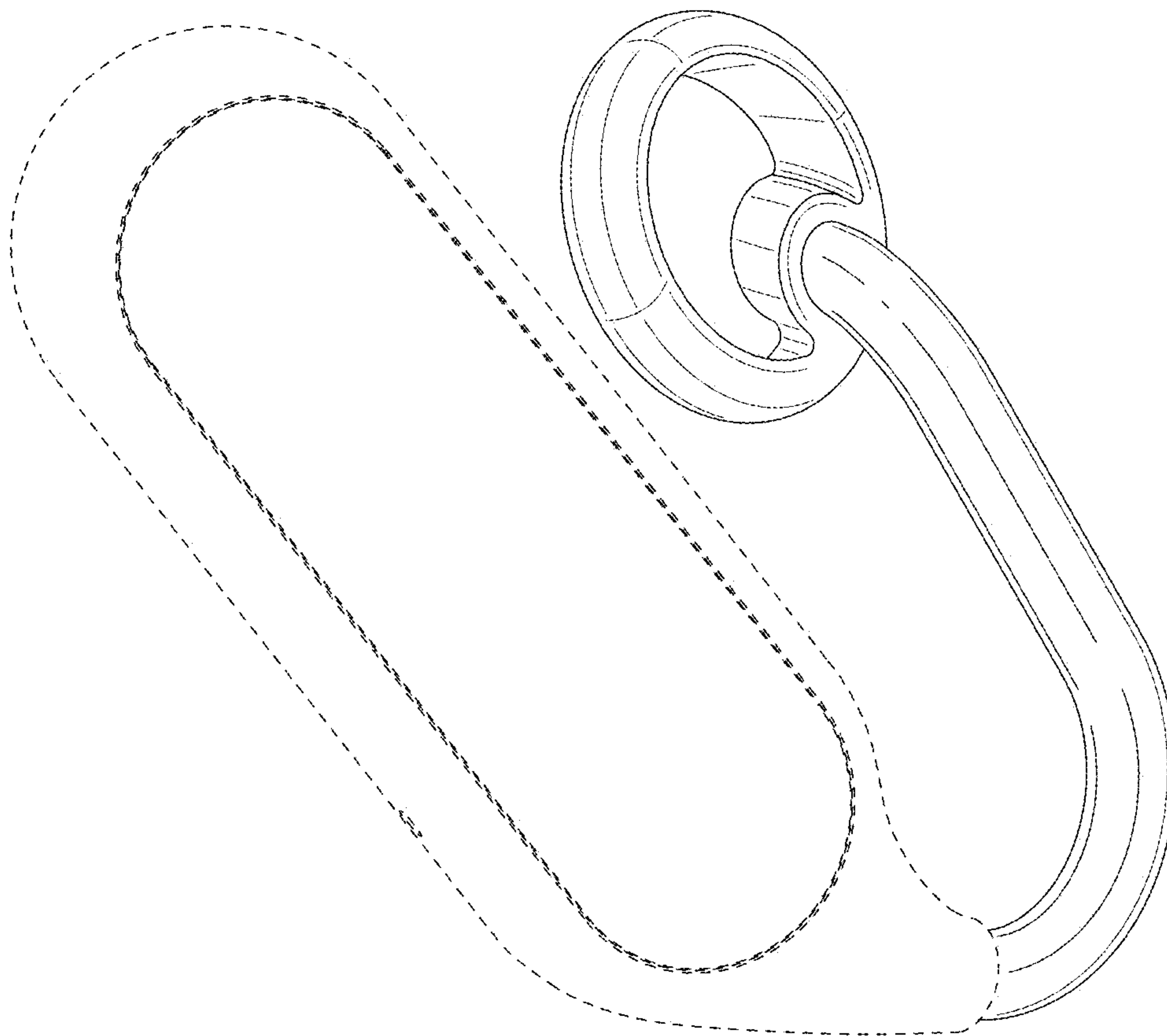


FIG.11

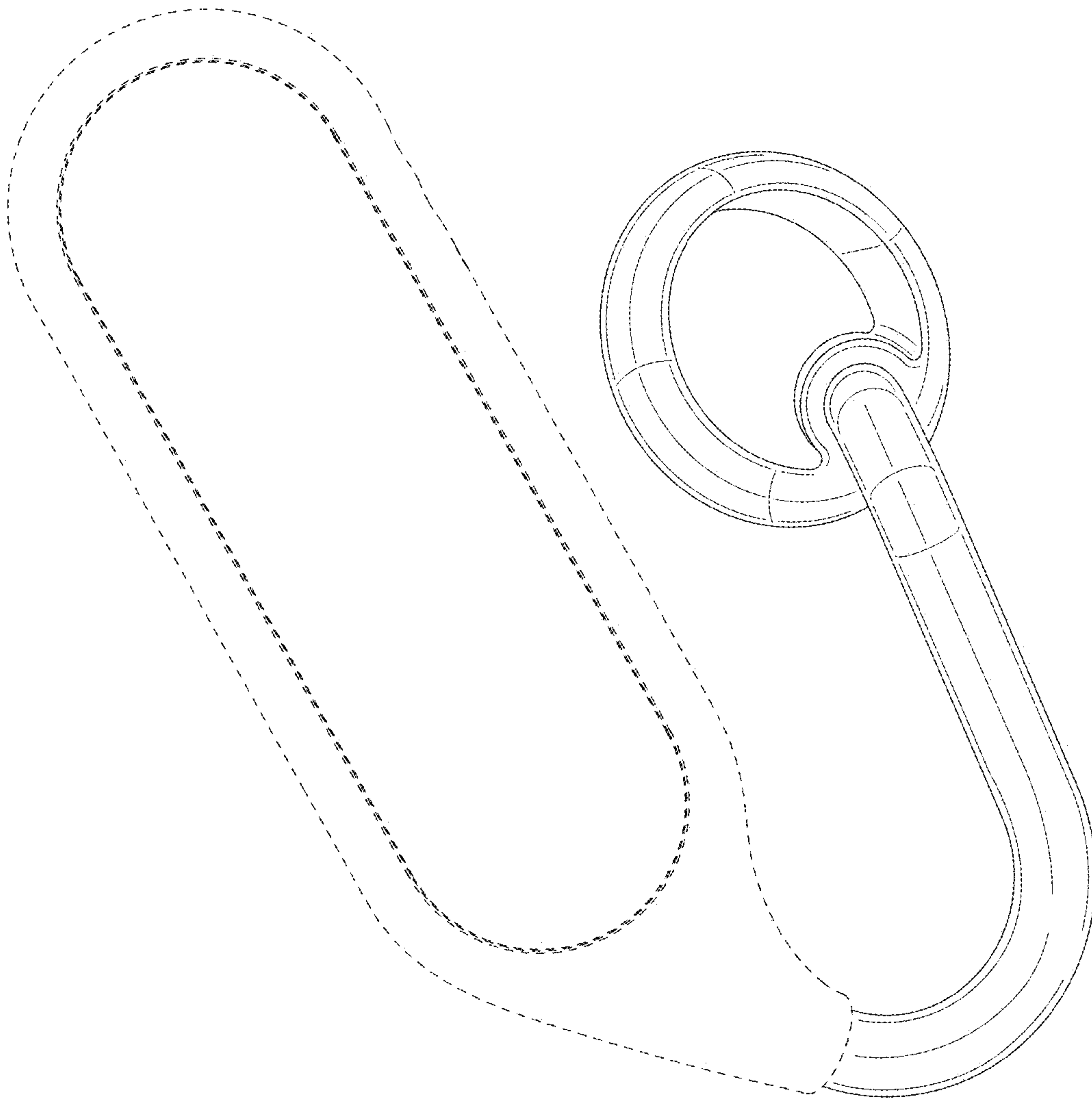


FIG.12

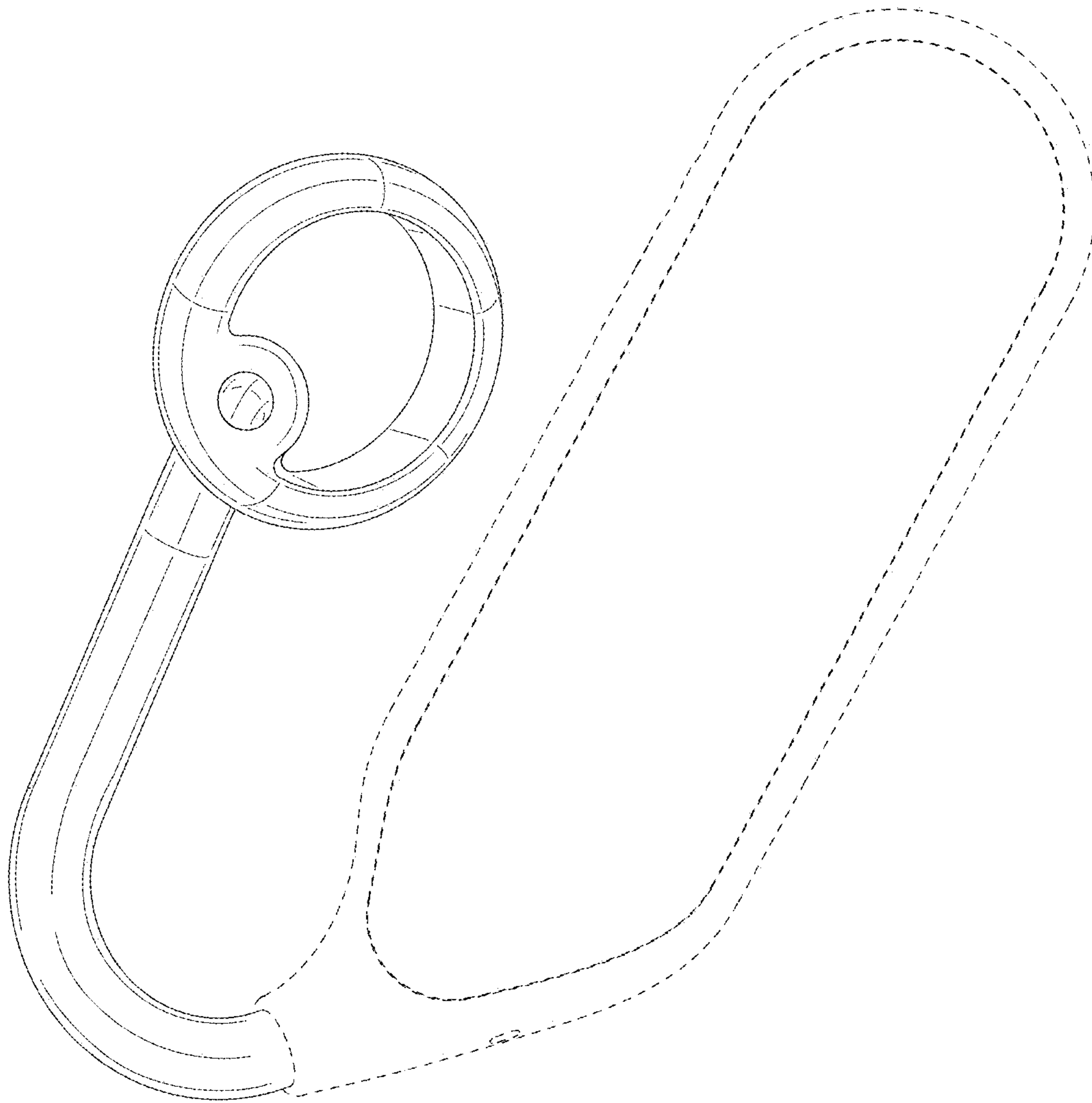


FIG.13

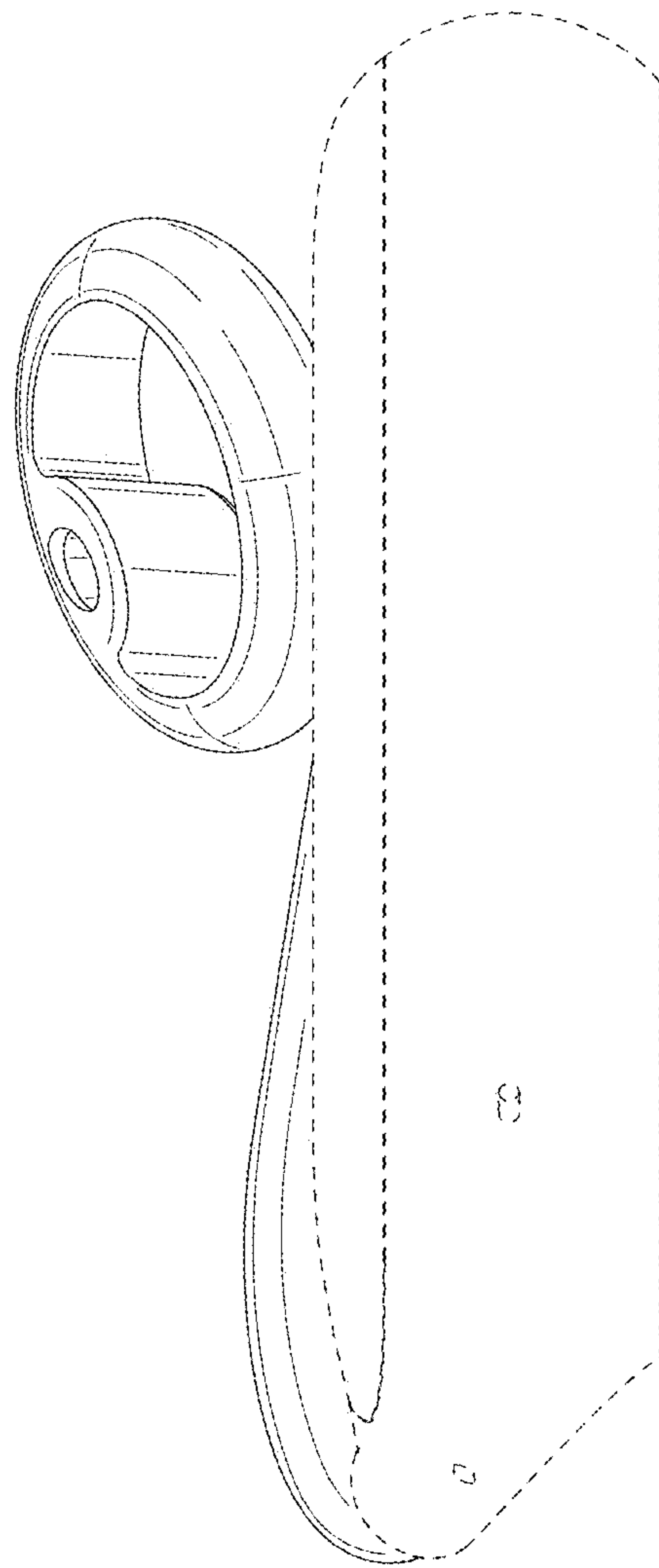


FIG.14

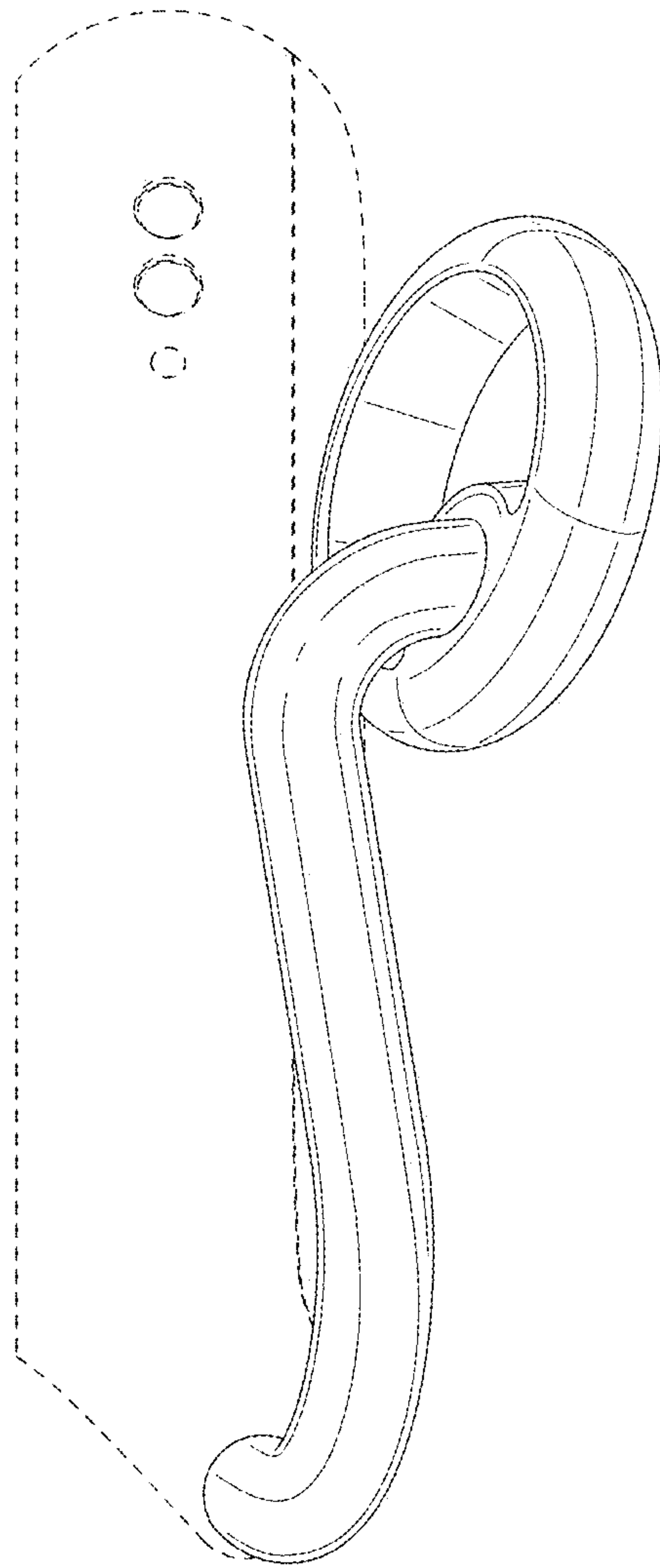


FIG.15

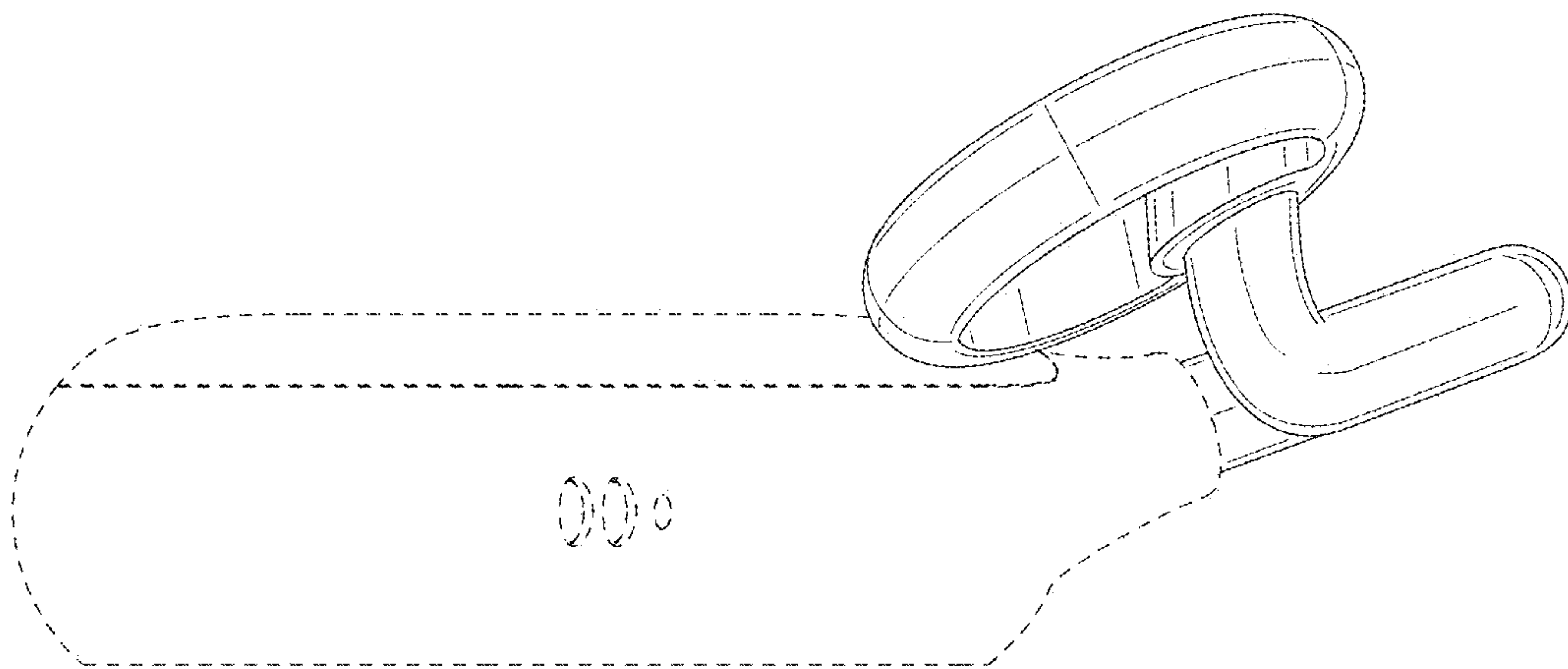


FIG.16

