

US00D903629S

(12) **United States Design Patent** (10) **Patent No.:** **US D903,629 S**  
**Trasmonte et al.** (45) **Date of Patent:** **\*\* Dec. 1, 2020**

(54) **SPEAKER**  
(71) Applicant: **Dolby Laboratories Licensing Corporation**, San Francisco, CA (US)  
(72) Inventors: **George Trasmonte**, San Jose, CA (US); **John Carson Stewart**, San Francisco, CA (US); **Brian Edward Renz**, San Francisco, CA (US); **Samuel Mayo Goldberg**, San Francisco, CA (US)  
(73) Assignee: **DOLBY LABORATORIES LICENSING CORPORATION**, San Francisco, CA (US)  
(\*\*) Term: **15 Years**  
(21) Appl. No.: **29/675,794**  
(22) Filed: **Jan. 4, 2019**  
(51) **LOC (12) Cl.** ..... **14-01**  
(52) **U.S. Cl.**  
USPC ..... **D14/204**; D14/214  
(58) **Field of Classification Search**  
USPC ..... D14/204, 209, 210, 215, 216  
CPC .. G10K 13/00; G10K 9/13; H01F 1/03; H01F 3/10; H01F 7/0289  
See application file for complete search history.

D870,076 S \* 12/2019 Park ..... D14/214  
D874,433 S \* 2/2020 Boerner ..... D14/214  
D874,667 S \* 2/2020 McManigal ..... D24/214

**FOREIGN PATENT DOCUMENTS**

JP D2018-12735 \* 2/2019

**OTHER PUBLICATIONS**

Klipsch Bar 48 Premium 3.1 sound bar, (C) 2019 [online], [retrieved Apr. 30, 2020], Retrieved from internet, URL: <https://www.amazon.co.uk/Klipsch-Bar-48-powerful-subwoofer/dp/B07TZ7XJ7G/ref=sr\_1\_67?crd=2YN2YLN9T1DEA&dchild=1&keywords=sound+bar%E2%80%A6> (Year: 2019).\*

\* cited by examiner

*Primary Examiner* — Barbara Fox

*Assistant Examiner* — Aram Kwon

(74) *Attorney, Agent, or Firm* — McAndrews, Held & Malloy, Ltd.

(57) **CLAIM**

The ornamental design for a speaker, as shown and described.

**DESCRIPTION**

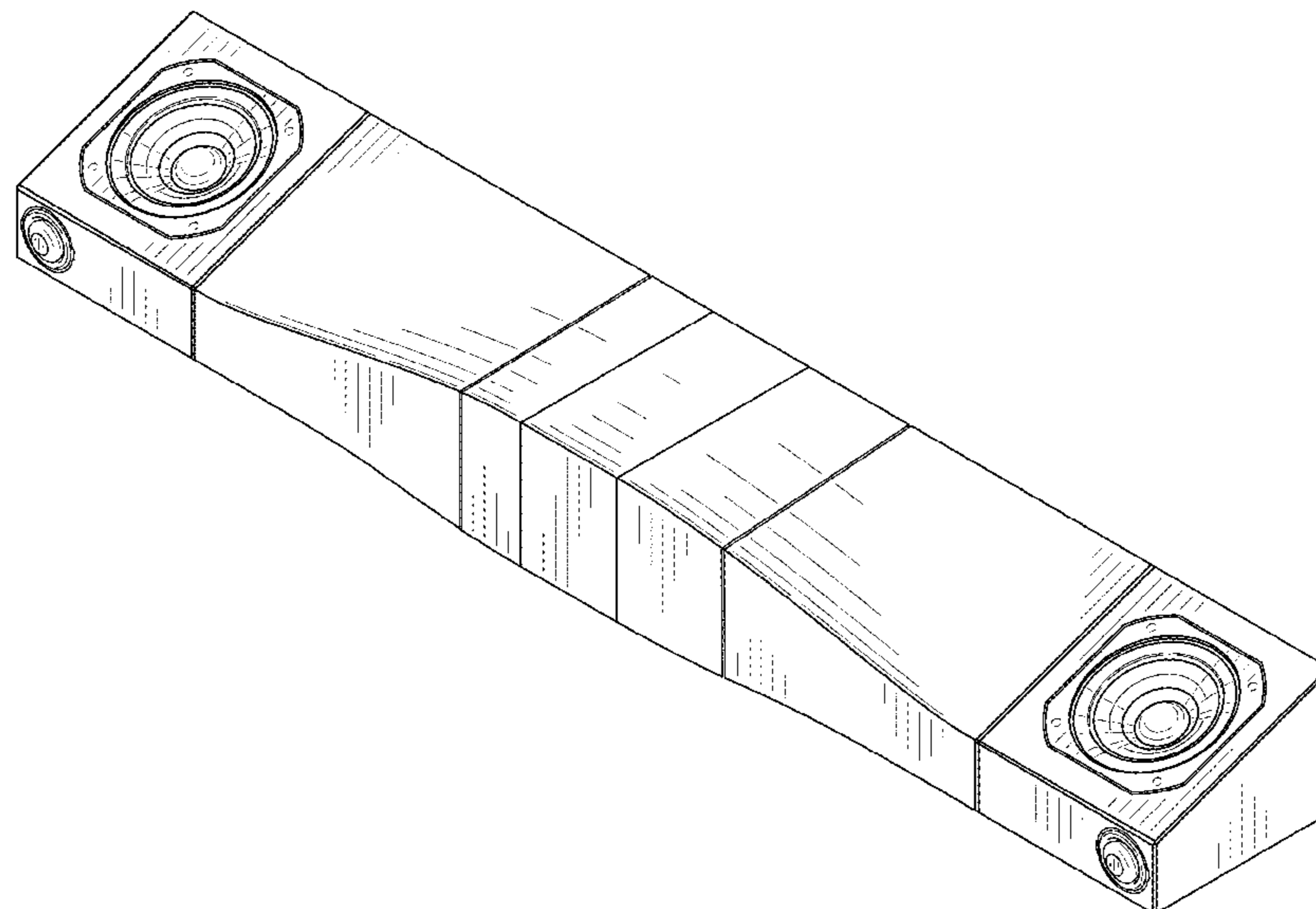
FIG. 1 is a front perspective view of a speaker showing our new design;  
FIG. 2 is a front elevation view thereof;  
FIG. 3 is a rear elevation view thereof;  
FIG. 4 is a right side elevation view thereof;  
FIG. 5 is a left side elevation view thereof;  
FIG. 6 is a top plan view thereof; and,  
FIG. 7 is a bottom plan view thereof.  
The dashed broken lines in the figures illustrate portions of the speaker that form no part of the claimed design.

**1 Claim, 4 Drawing Sheets**

(56) **References Cited**

**U.S. PATENT DOCUMENTS**

D629,388 S \* 12/2010 Son ..... D14/214  
D720,723 S \* 1/2015 Cho ..... D14/215  
D726,153 S \* 4/2015 Chang ..... D14/214  
D759,630 S \* 6/2016 Huang ..... D14/214  
9,469,254 B1 \* 10/2016 White ..... H04R 1/403  
D786,823 S \* 5/2017 Seong ..... D14/204  
D800,690 S \* 10/2017 Groves, Jr. .... D14/204  
D802,560 S \* 11/2017 Kitazawa ..... D14/214  
D803,805 S \* 11/2017 Coffey ..... D14/130  
D842,840 S \* 3/2019 Choi ..... D14/214  
D869,427 S \* 12/2019 Zhong ..... D14/203.1



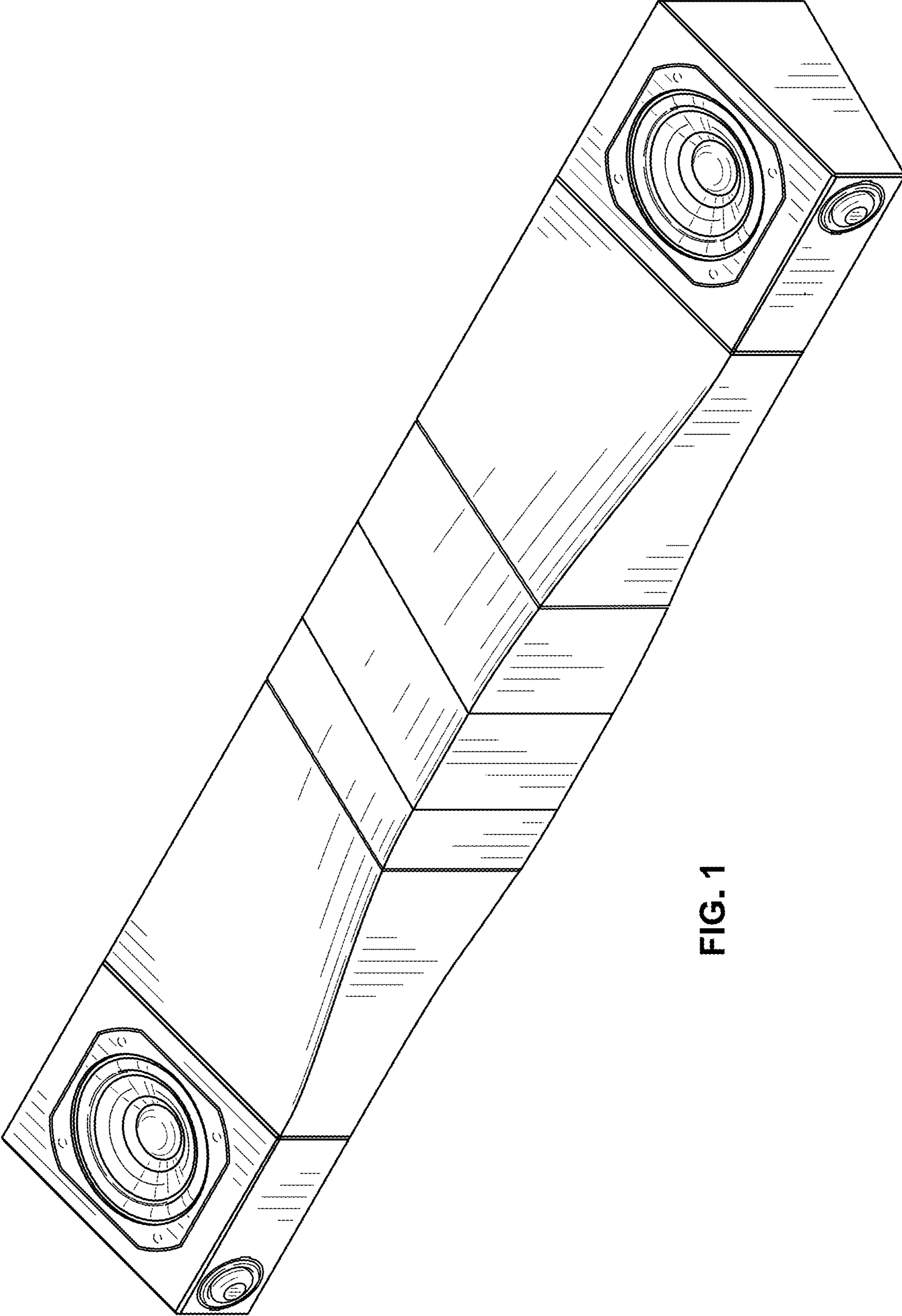


FIG. 1

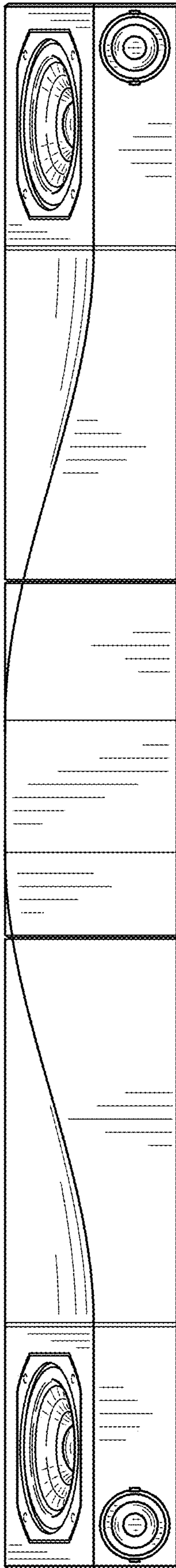


FIG. 2

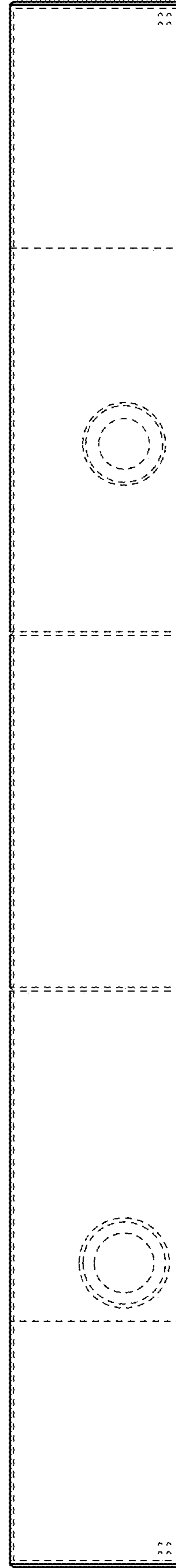


FIG. 3

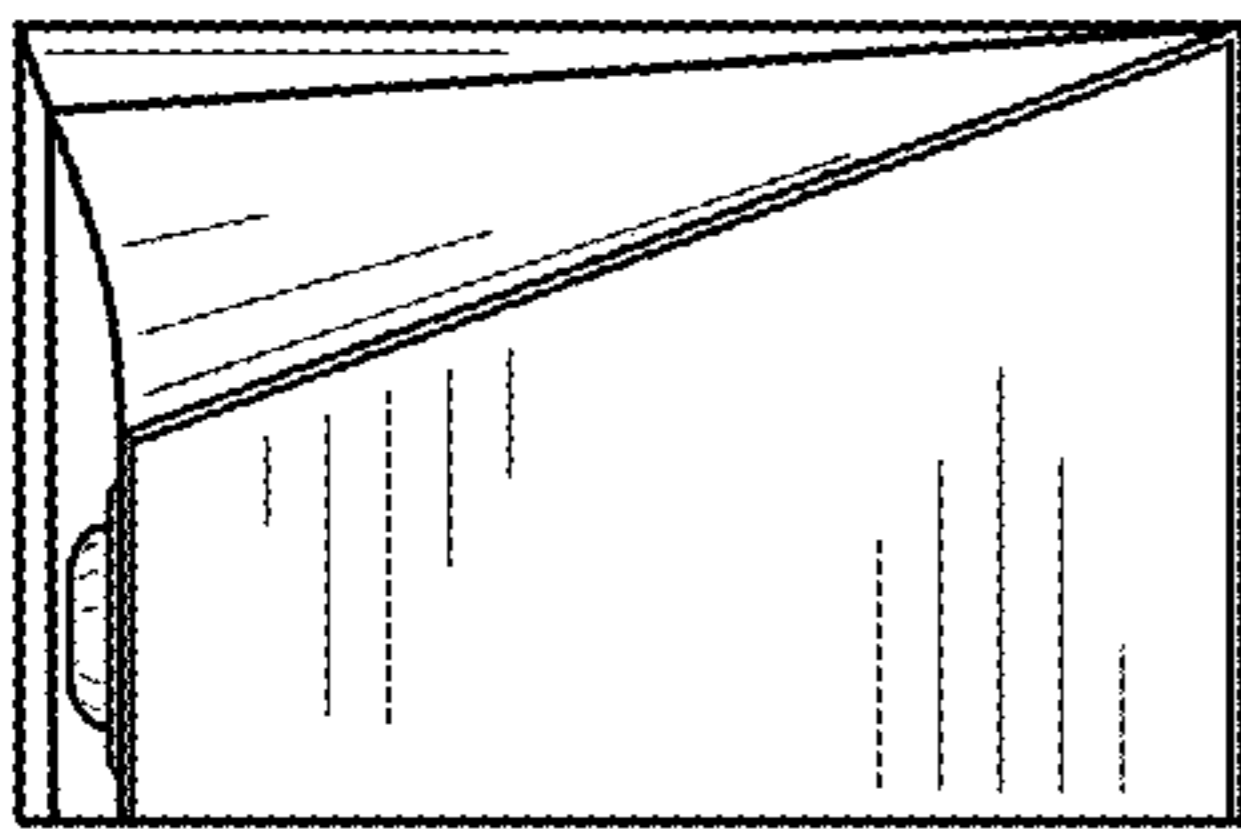


FIG. 4

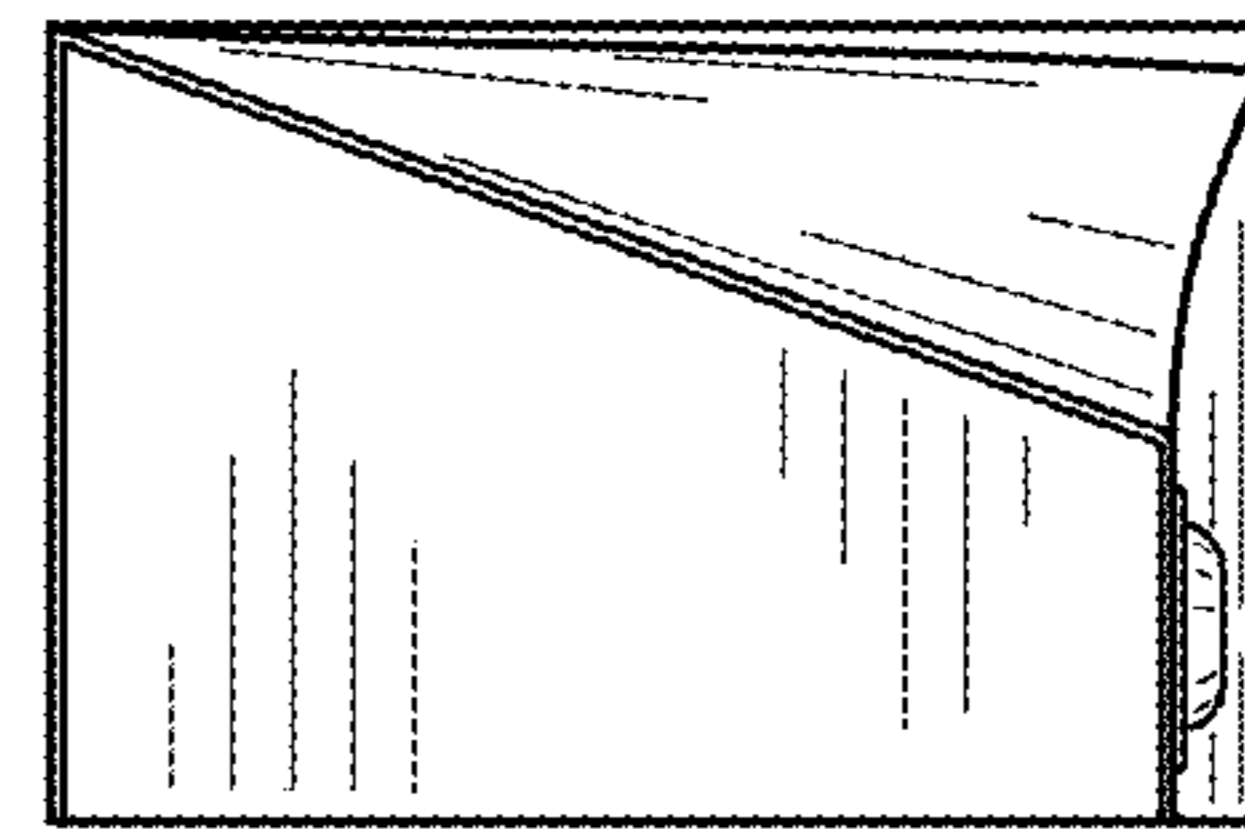


FIG. 5

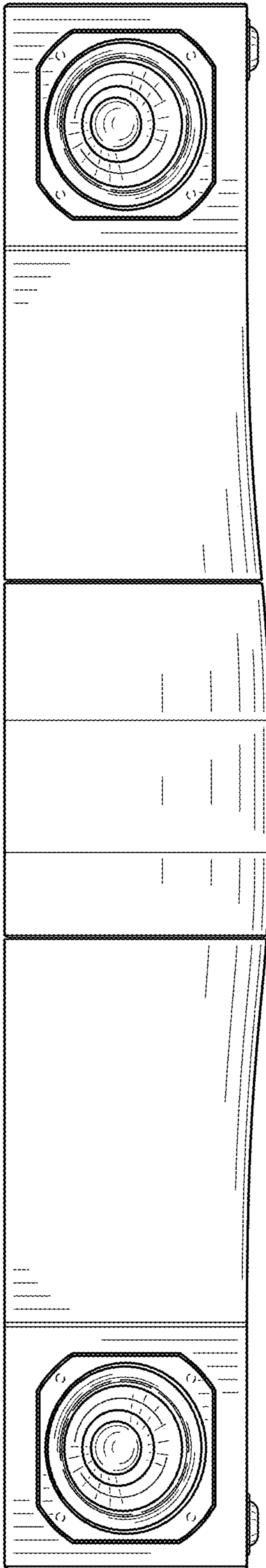


FIG. 6

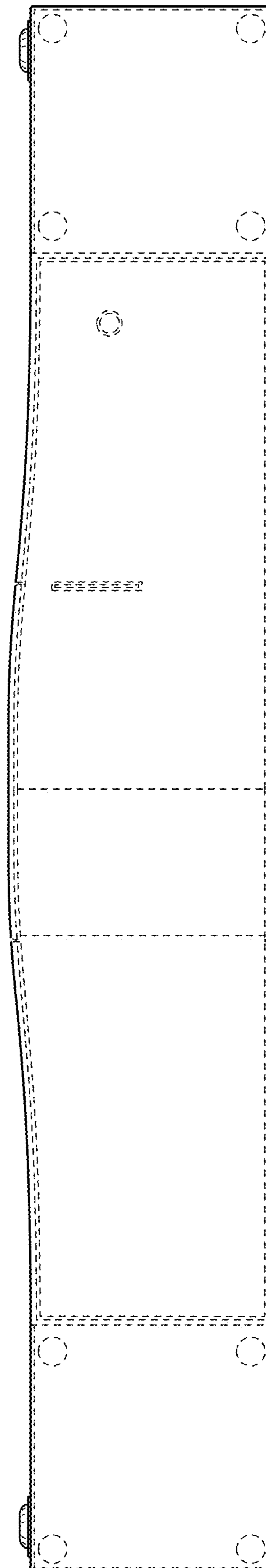


FIG. 7