



US00D903628S

(12) **United States Design Patent**  
**Zeng**

(10) **Patent No.:** **US D903,628 S**

(45) **Date of Patent:** **\*\* Dec. 1, 2020**

(54) **PORTABLE FM RADIO AND BLUETOOTH SPEAKER**

(71) Applicant: **Shenzhen Airmart Technology Co., Ltd**, Guangdong (CN)

(72) Inventor: **Dejun Zeng**, Guangdong (CN)

(73) Assignee: **Shenzhen Airmart Technology Co., Ltd**, Shenzhen (CN)

(\*\*) Term: **15 Years**

(21) Appl. No.: **29/664,665**

(22) Filed: **Sep. 27, 2018**

(30) **Foreign Application Priority Data**

Jun. 28, 2018 (CN) ..... 2018 3 0339400

(51) **LOC (12) Cl.** ..... **14-01**

(52) **U.S. Cl.**  
USPC ..... **D14/204**; D14/214; D14/196

(58) **Field of Classification Search**  
USPC ..... D14/204, 496, 216, 196, 214, 172  
CPC ..... H04R 1/02; H04R 1/021; H04R 1/026;  
H04R 1/028; H04R 1/403; H04R 1/2803;  
H04R 5/02; H04R 9/06; H04R 9/13;  
H04R 2201/021; H04R 2400/00; H04R  
2499/11

See application file for complete search history.

(56) **References Cited**

**U.S. PATENT DOCUMENTS**

D234,536 S \* 3/1975 Taguchi ..... D14/196  
D458,911 S \* 6/2002 Kataoka ..... D14/129  
D552,594 S \* 10/2007 Bhavnani ..... D14/196

D561,168 S \* 2/2008 Song ..... D14/188  
D576,486 S \* 9/2008 Koza ..... D9/432  
D603,902 S \* 11/2009 Greaves ..... D19/67  
D658,628 S \* 5/2012 Hahner ..... D14/196  
D669,059 S \* 10/2012 Huang ..... D14/240  
D729,761 S \* 5/2015 Hu ..... D14/194  
D762,759 S \* 8/2016 Wu ..... D16/218  
D826,206 S \* 8/2018 Elmieh ..... D14/204  
D845,267 S \* 4/2019 Zeng ..... D14/194  
D851,056 S \* 6/2019 Zeng ..... D14/188  
D888,013 S \* 6/2020 Yu ..... D14/214  
D889,433 S \* 7/2020 Yu ..... D14/214  
D894,870 S \* 9/2020 Wong ..... D14/214  
D895,568 S \* 9/2020 Yu ..... D14/204

\* cited by examiner

*Primary Examiner* — Cynthia R Underwood

(57) **CLAIM**

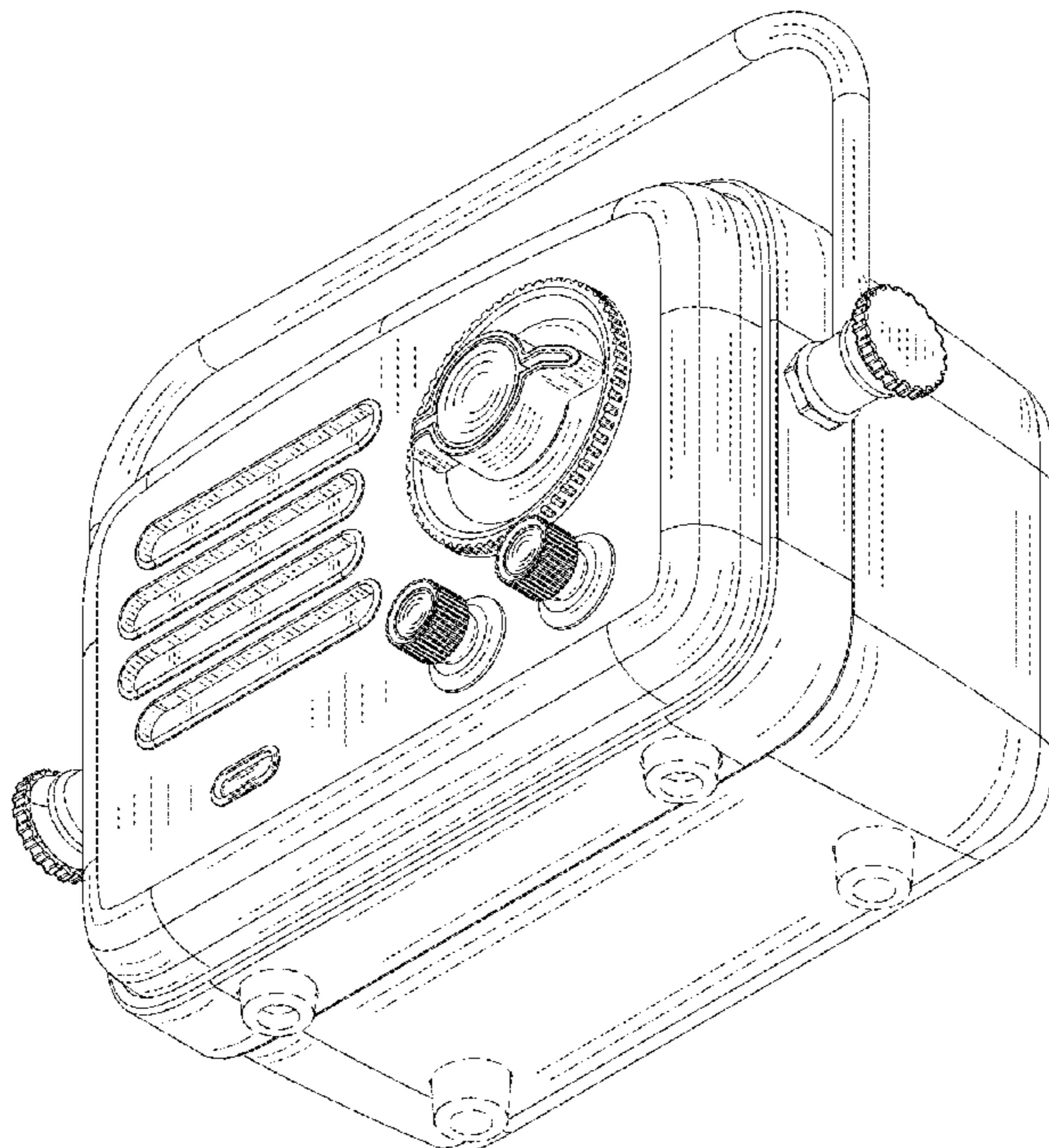
The ornamental design for a portable FM radio and Bluetooth speaker, as shown and described.

**DESCRIPTION**

FIG. 1 is a front elevational view of a portable FM radio and Bluetooth speaker showing my new design;  
FIG. 2 is a rear elevational view thereof;  
FIG. 3 is a left side view thereof;  
FIG. 4 is a right side view thereof;  
FIG. 5 is a top plan view thereof;  
FIG. 6 is a bottom plan view thereof;  
FIG. 7 is a top, front and left side perspective view thereof;  
and,  
FIG. 8 is a bottom, front and right side perspective view thereof.

The broken lines in the drawings illustrate portions of the portable FM radio and Bluetooth speaker which form no part of the claimed design.

**1 Claim, 8 Drawing Sheets**



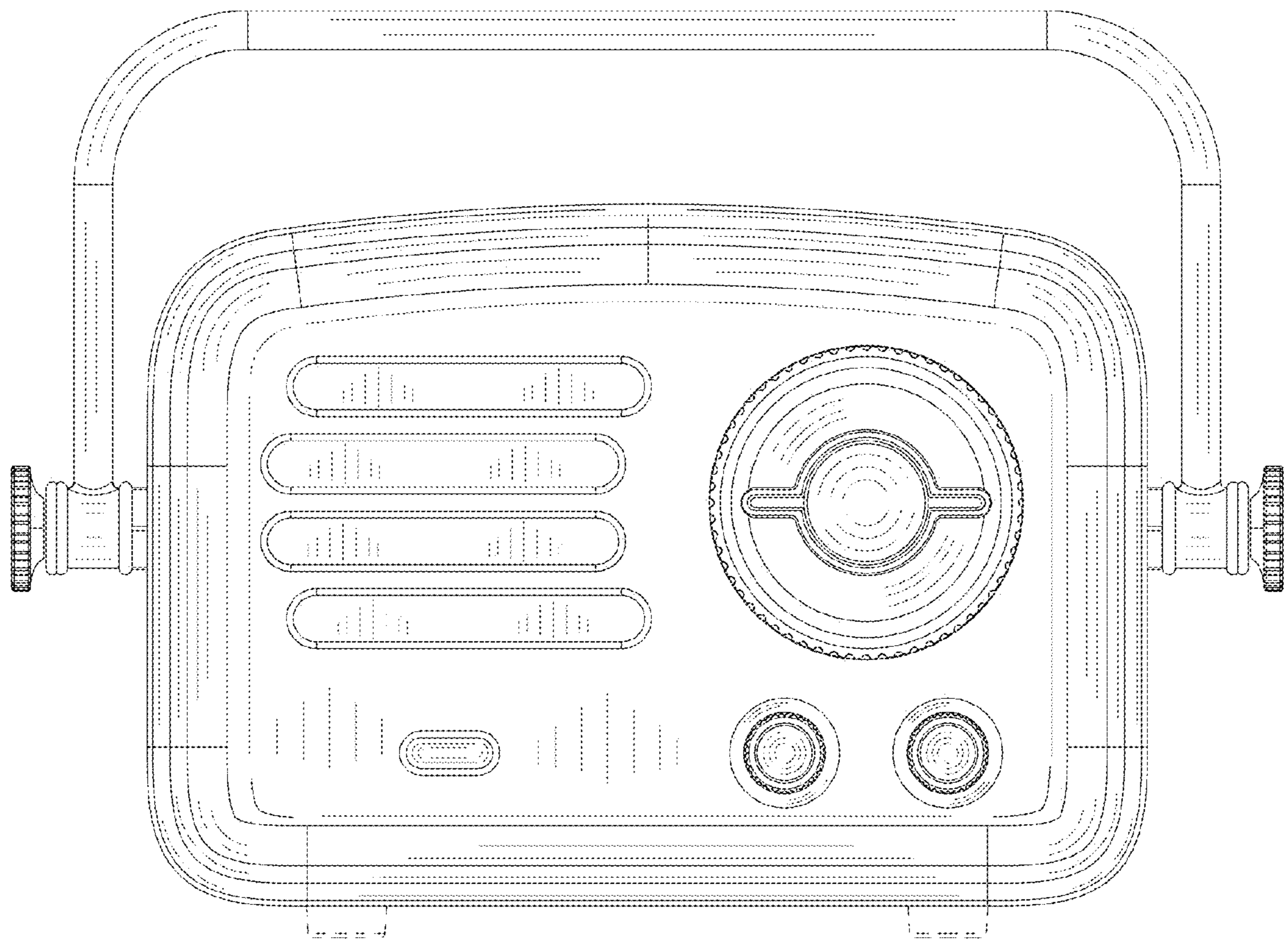


Fig.1

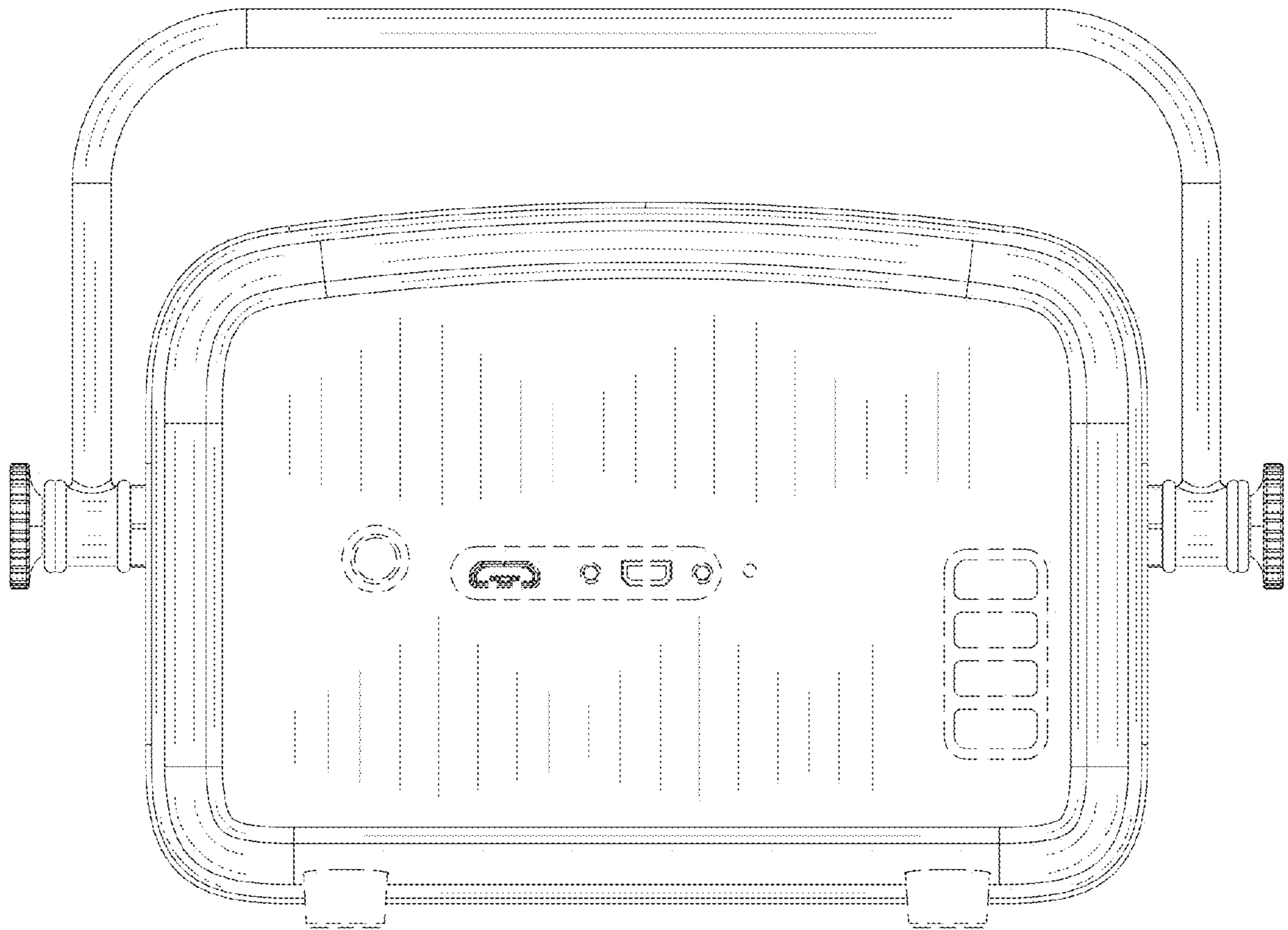


Fig.2

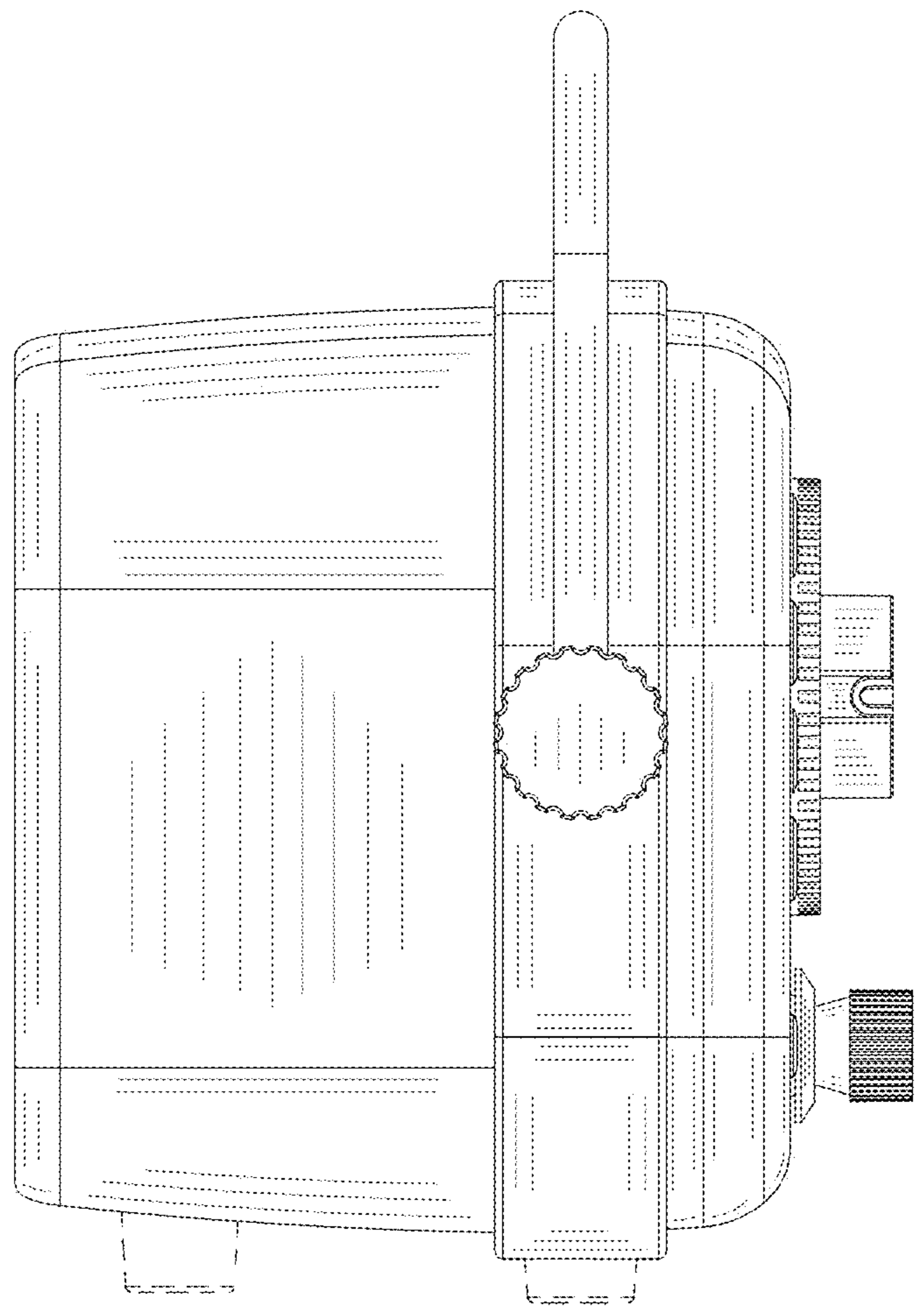


Fig.3

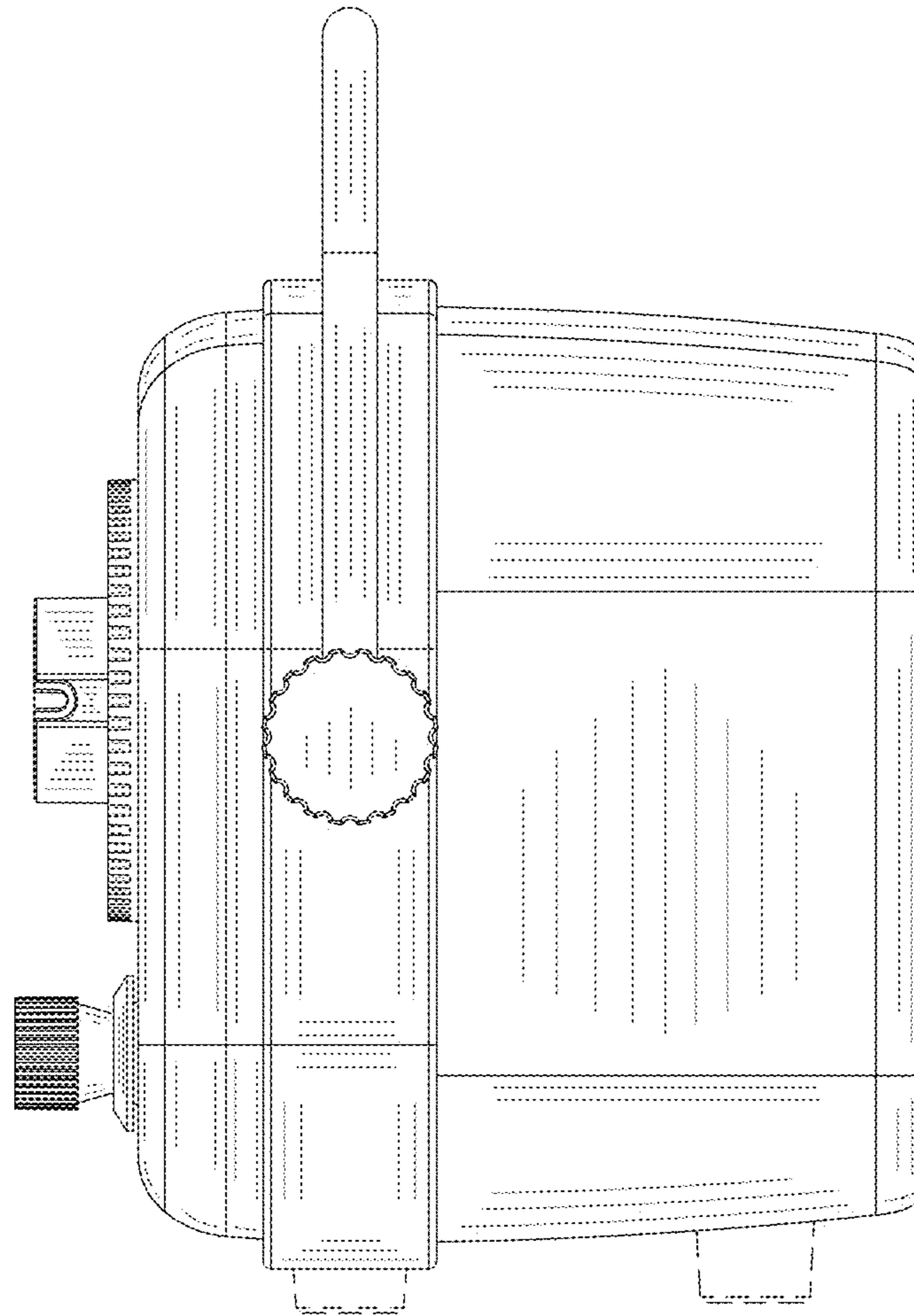


Fig.4

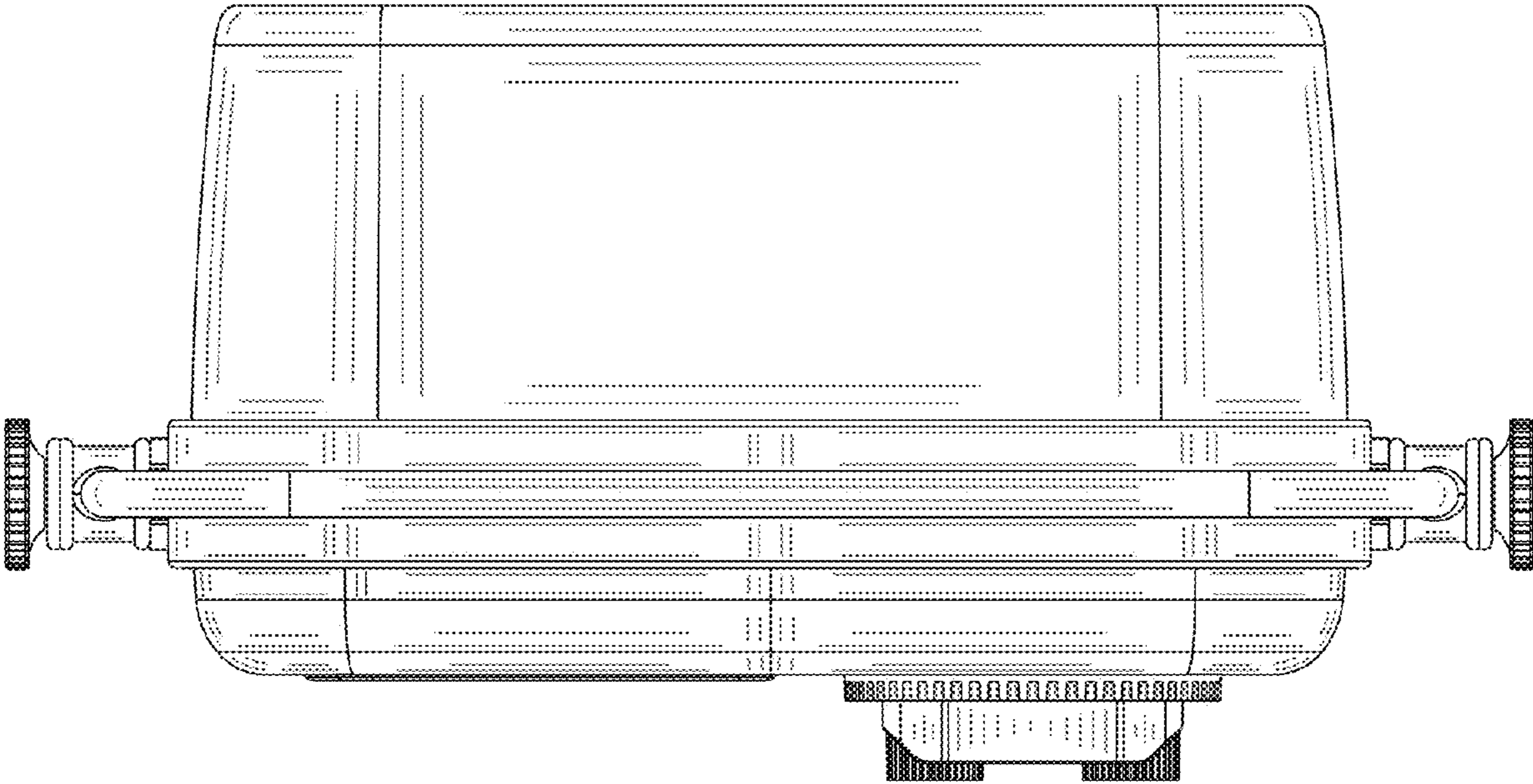


Fig.5

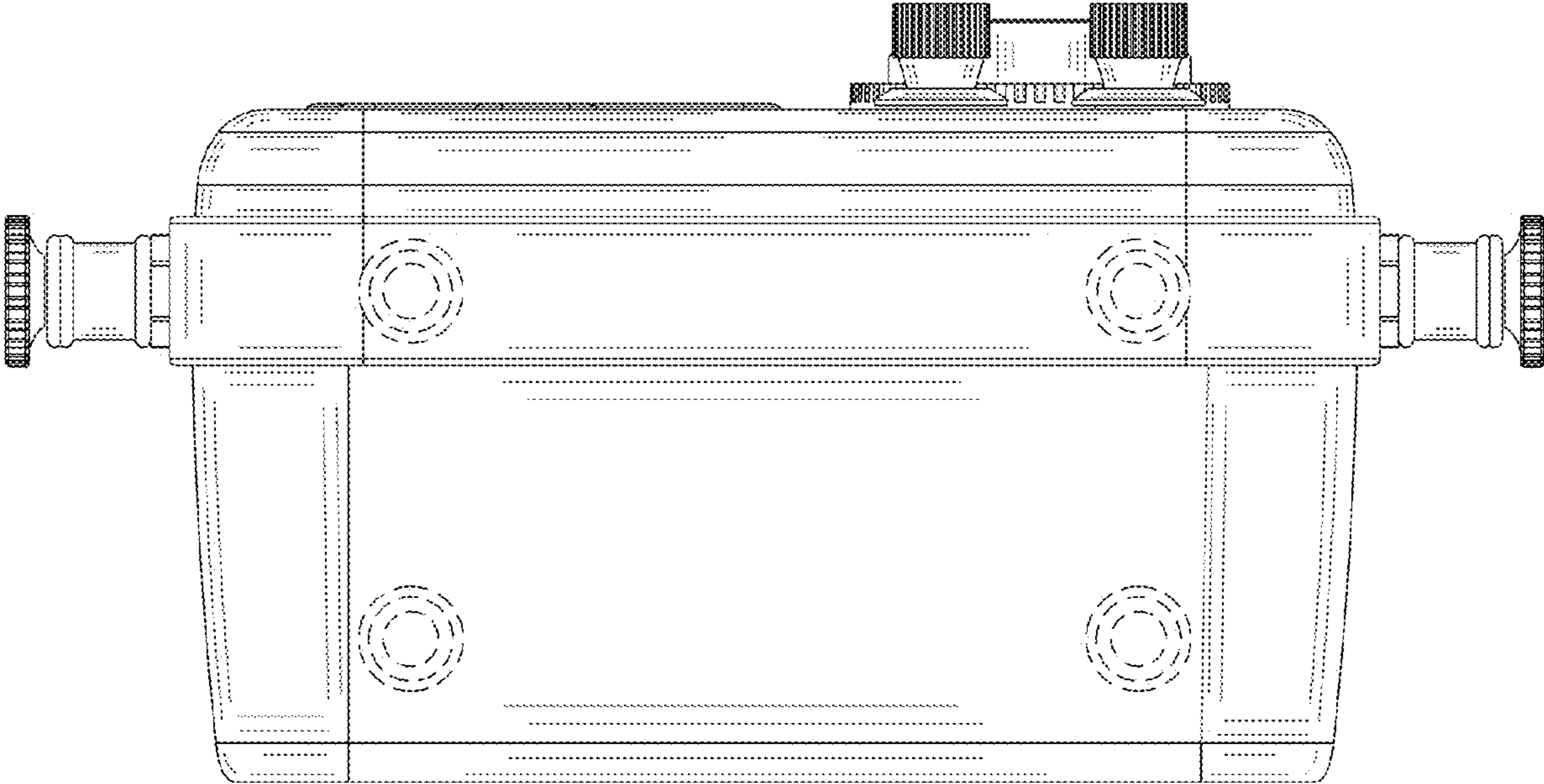


Fig.6

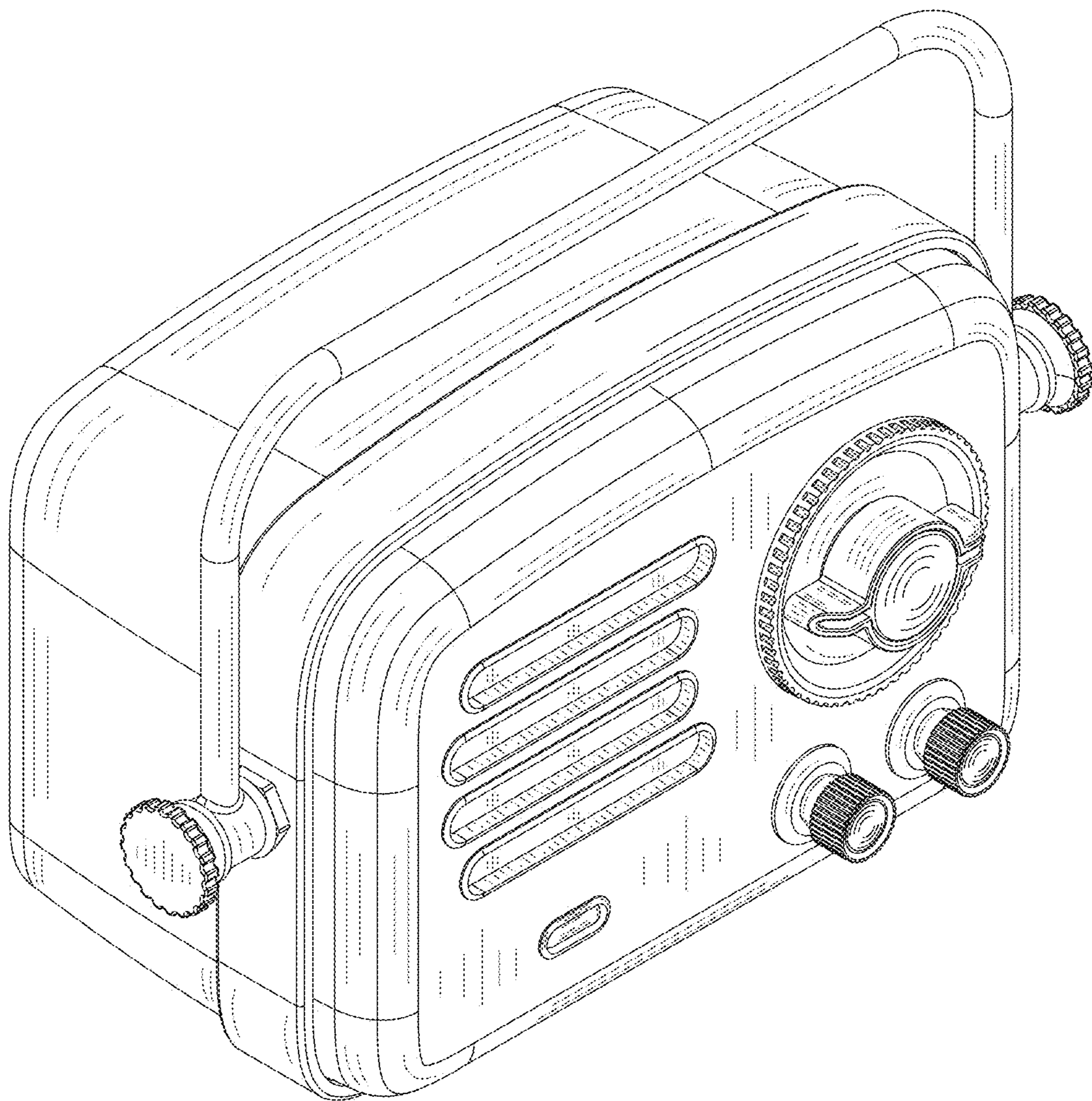


Fig.7



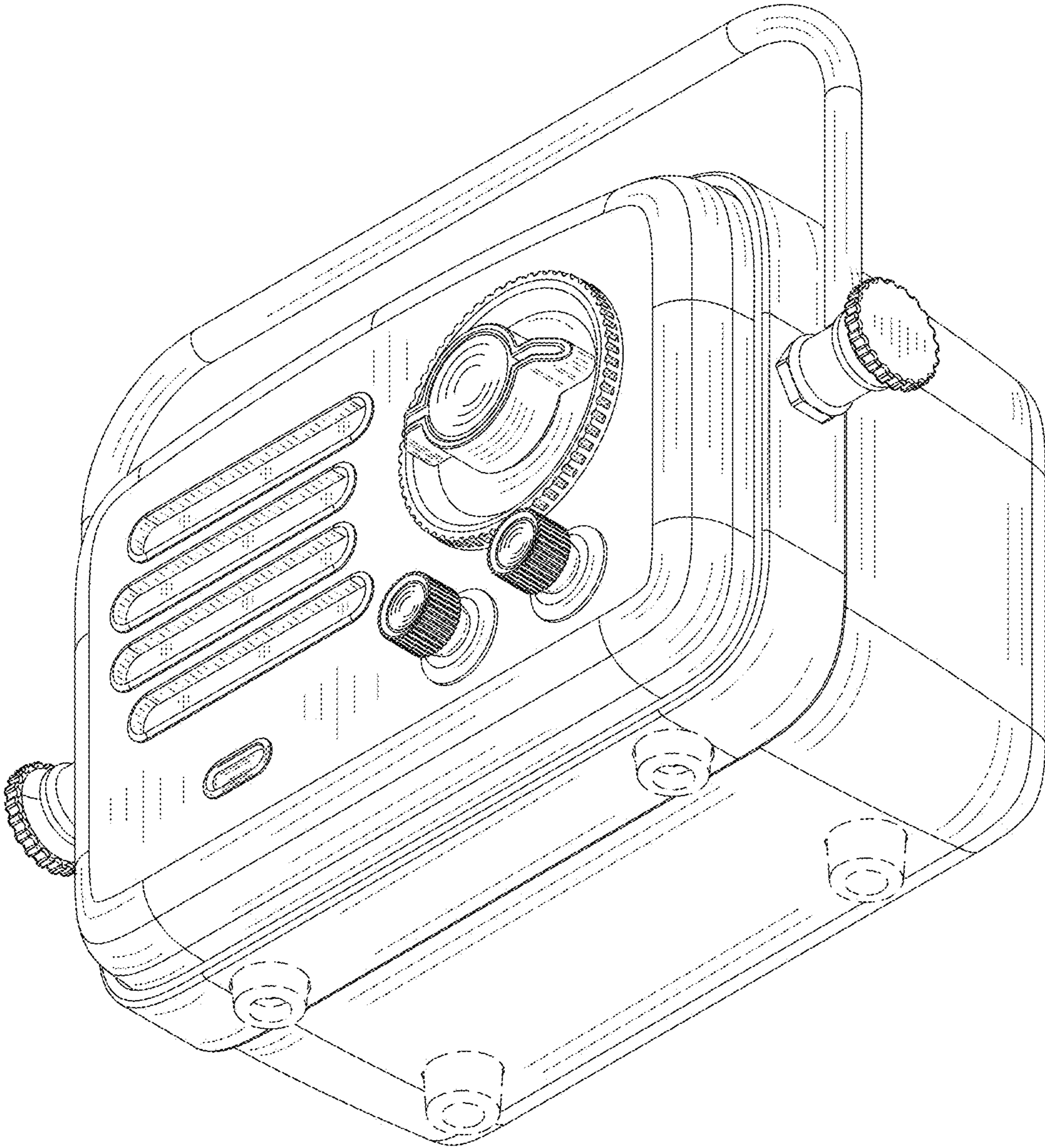


Fig.8