



US00D903627S

(12) **United States Design Patent**
Xiao

(10) **Patent No.:** **US D903,627 S**
(45) **Date of Patent:** **** Dec. 1, 2020**

(54) **AUDIO DEVICE**

(71) Applicant: **Shenzhen Tianyuwei Science and Technology Co., Ltd., Shenzhen (CN)**

(72) Inventor: **Hui Xiao, Shanxi (CN)**

(73) Assignee: **Shenzhen Tianyuwei Science and Technology Co., Ltd.**

(**) Term: **15 Years**

(21) Appl. No.: **29/636,177**

(22) Filed: **Feb. 6, 2018**

(51) **LOC (12) Cl.** **14-01**

(52) **U.S. Cl.**
USPC **D14/204**

(58) **Field of Classification Search**
USPC D14/167, 188, 204, 209.1, 210–215, 348,
D14/352, 498–505; 181/143, 144, 148,
181/153, 157, 198, 199; 369/6–12;
381/300–303, 361–364, 366, 386–388
CPC H04R 1/02; H04R 1/021; H04R 1/023;
H04R 5/00; H04R 9/06; H04R 2420/07
See application file for complete search history.

(56) **References Cited**

U.S. PATENT DOCUMENTS

D349,499 S * 8/1994 Collins D14/216
D438,195 S * 2/2001 Chao D14/222

D453,329 S * 2/2002 Muramatsu D14/230
D617,314 S * 6/2010 Zha D14/216
D692,898 S * 11/2013 Luijben D14/447
D729,205 S * 5/2015 Shu D14/216
D760,697 S * 7/2016 Zhao D14/216
D769,225 S * 10/2016 Hua D14/216

* cited by examiner

Primary Examiner — Janice Patyk

(57) **CLAIM**

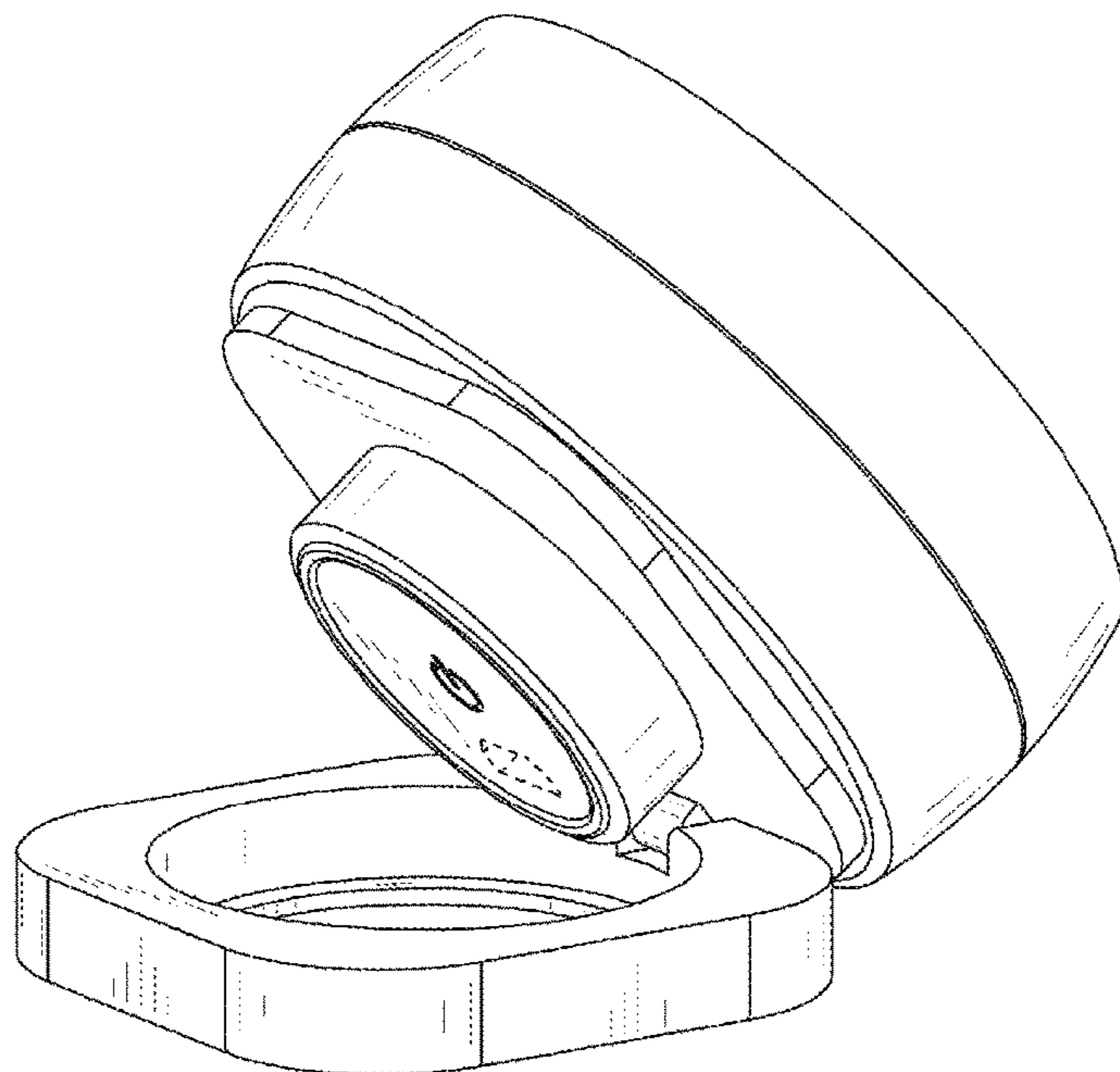
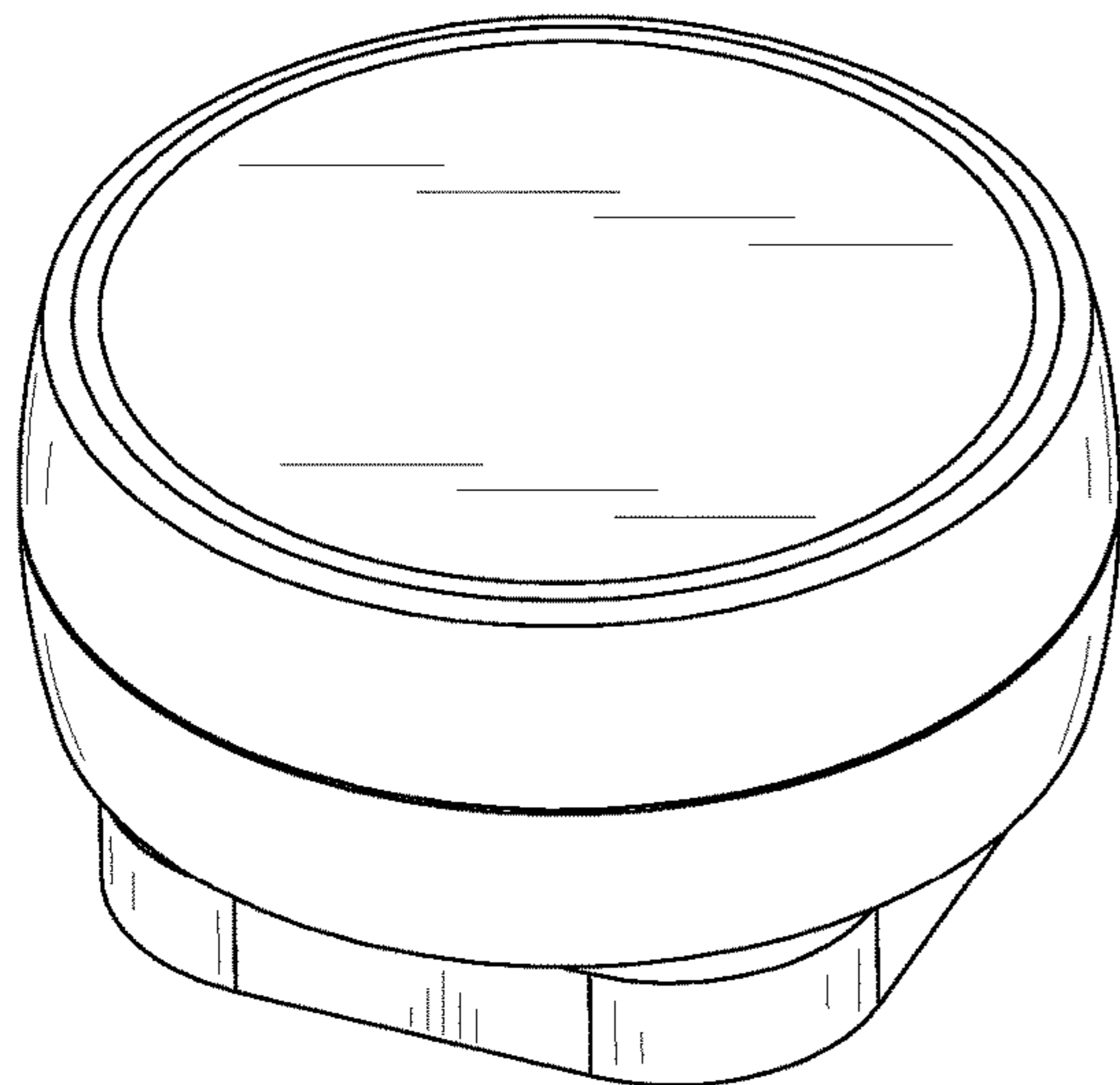
The ornamental design for an audio device, as shown and described.

DESCRIPTION

FIG. 1 is a front view of an audio device showing my new design;
FIG. 2 is a back view thereof;
FIG. 3 is a left side view thereof;
FIG. 4 is a right side view thereof;
FIG. 5 is a top view thereof;
FIG. 6 is a bottom view thereof;
FIG. 7 is a perspective view thereof; and,
FIG. 8 is another perspective view thereof, shown with the stand in extended condition.

The broken lines show portions of the article not claimed and form no part of the claimed design.

1 Claim, 4 Drawing Sheets



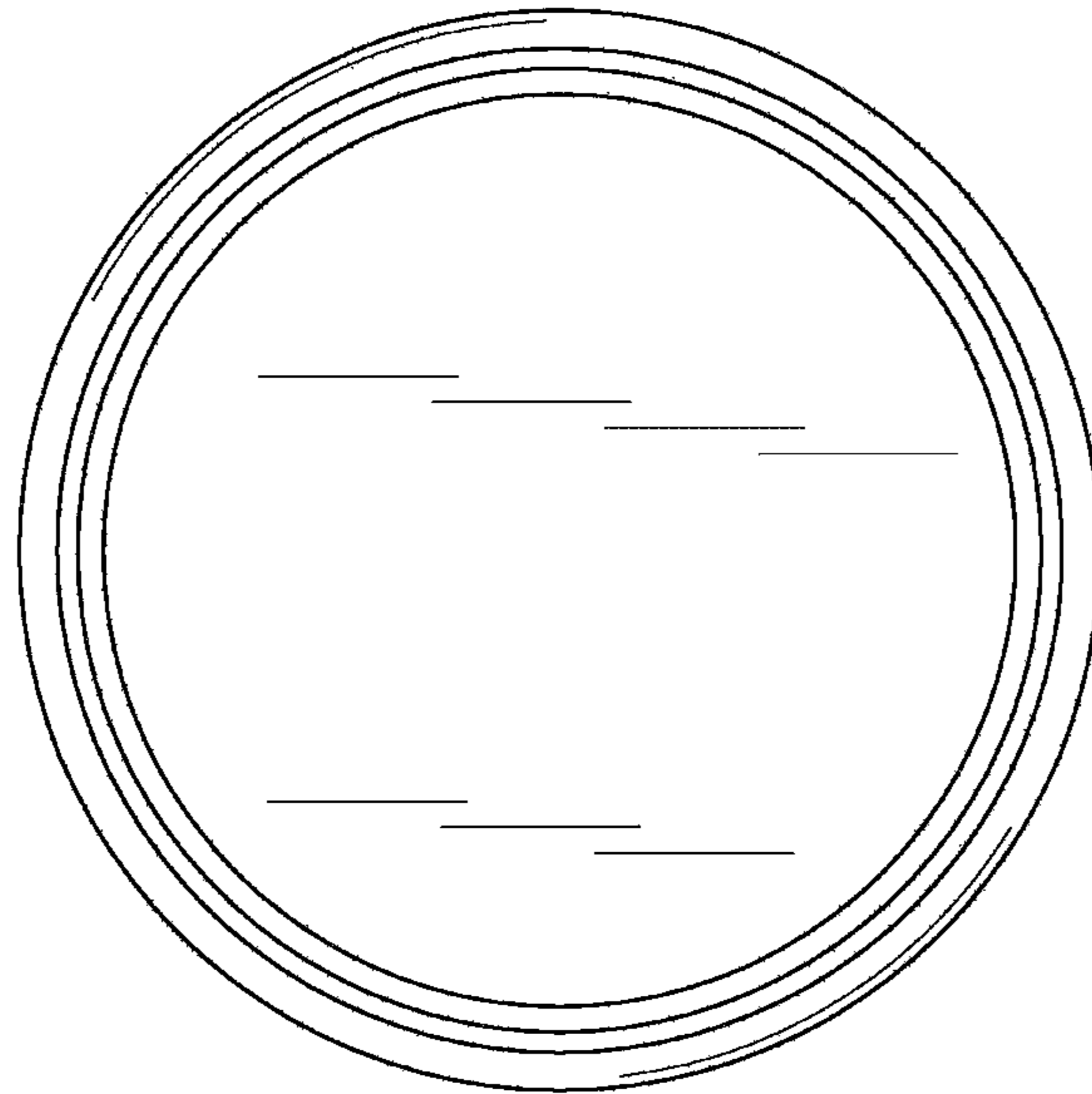


Fig.1

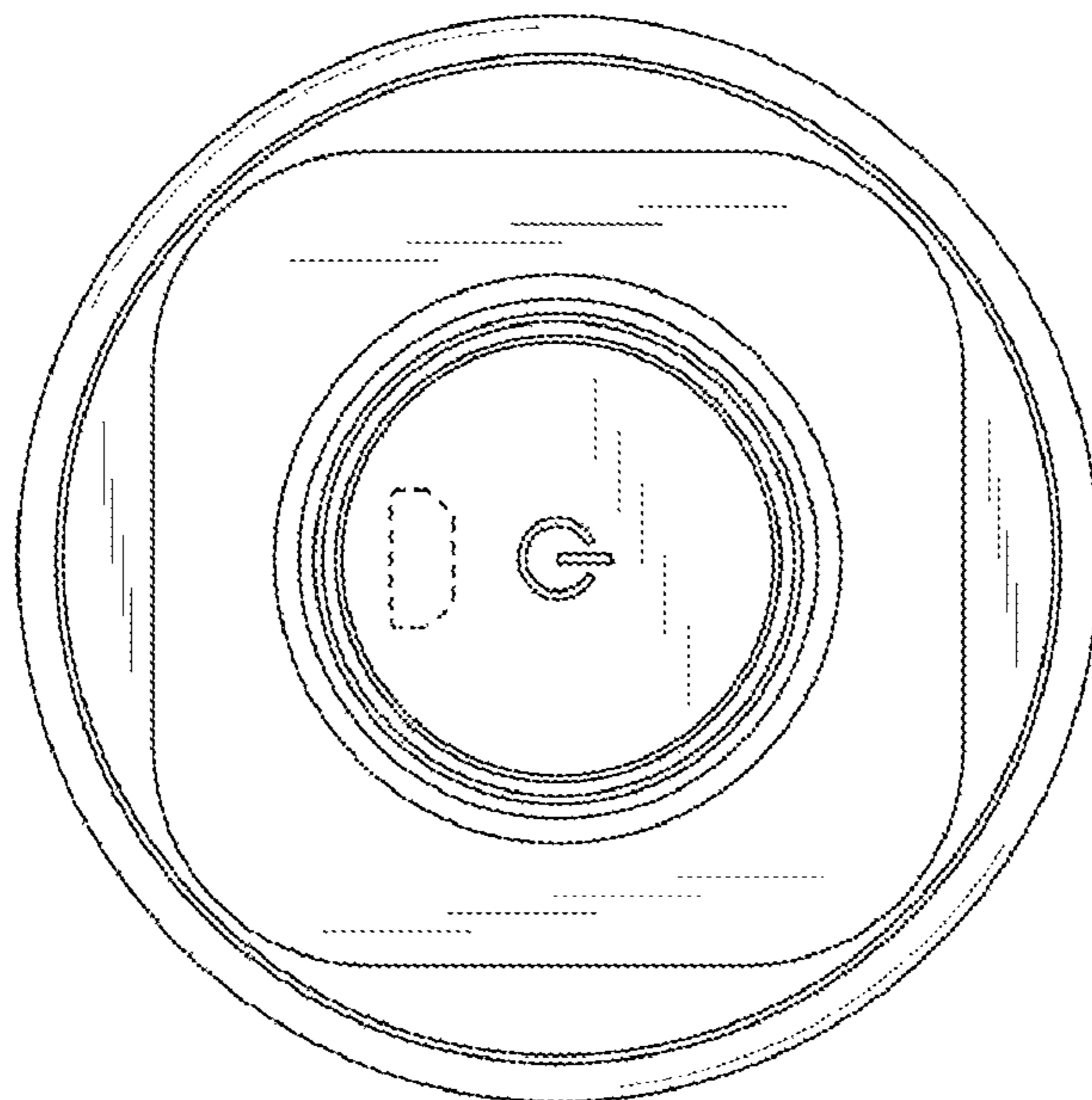


Fig.2

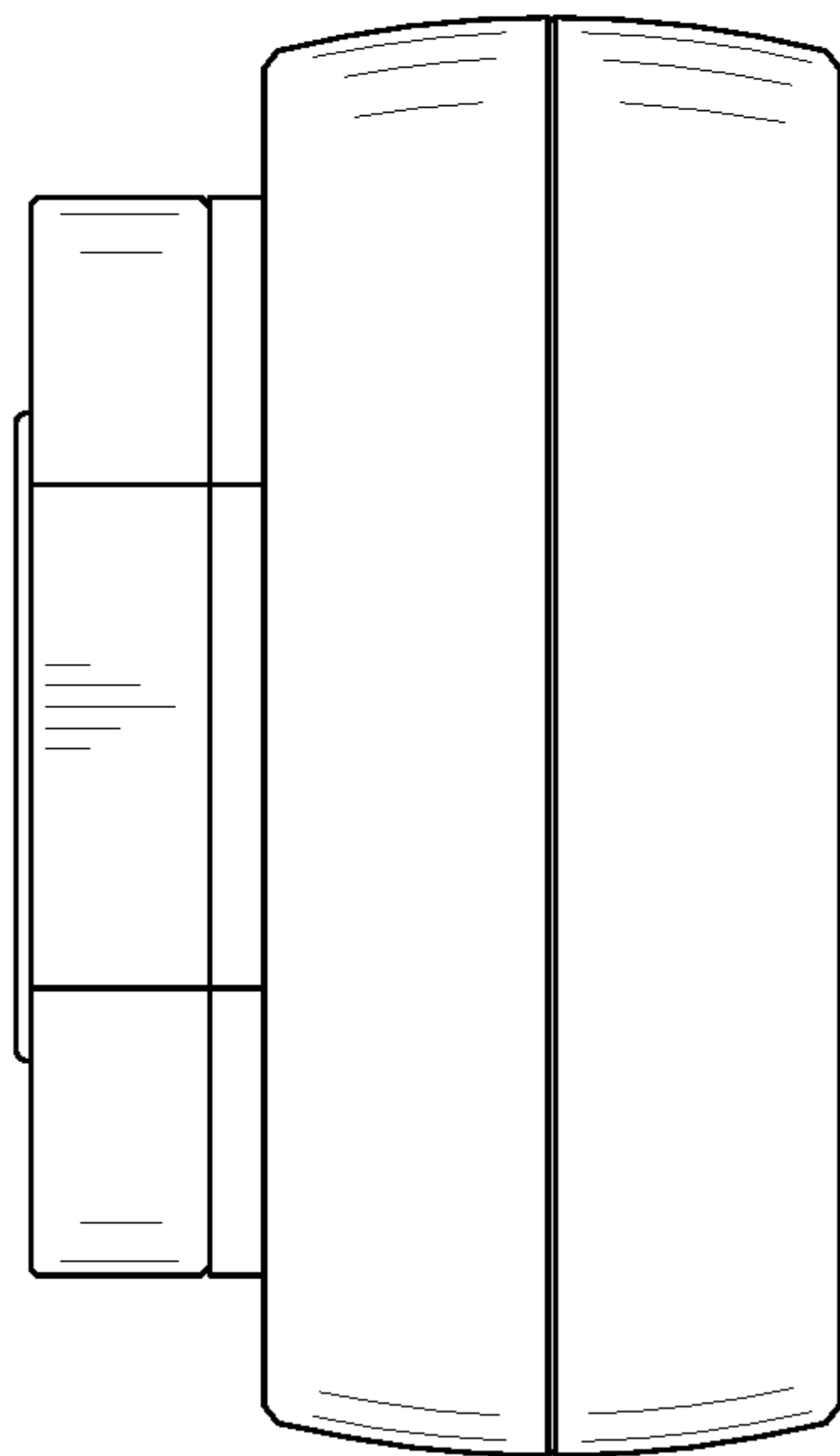


Fig.3

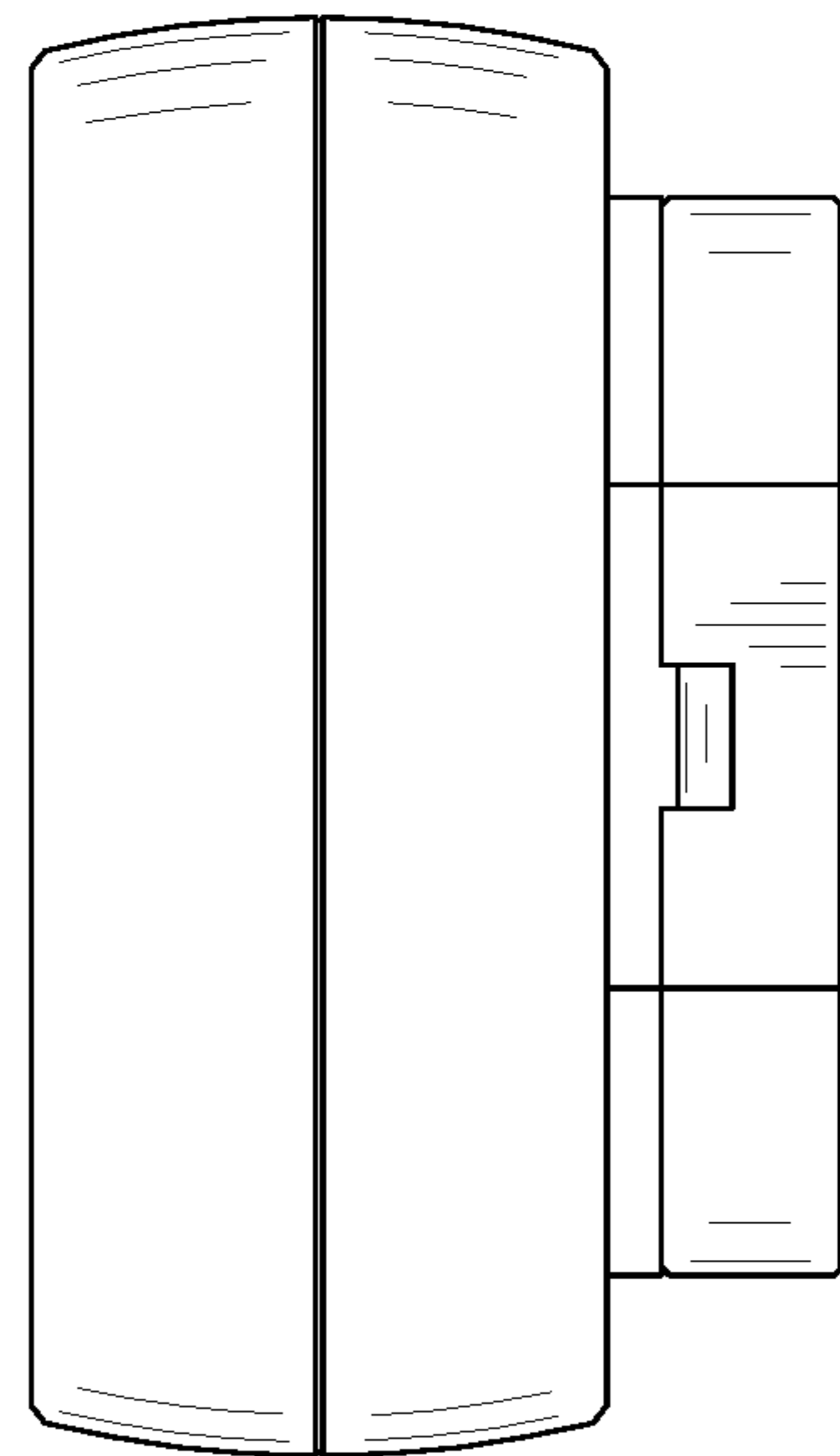


Fig.4

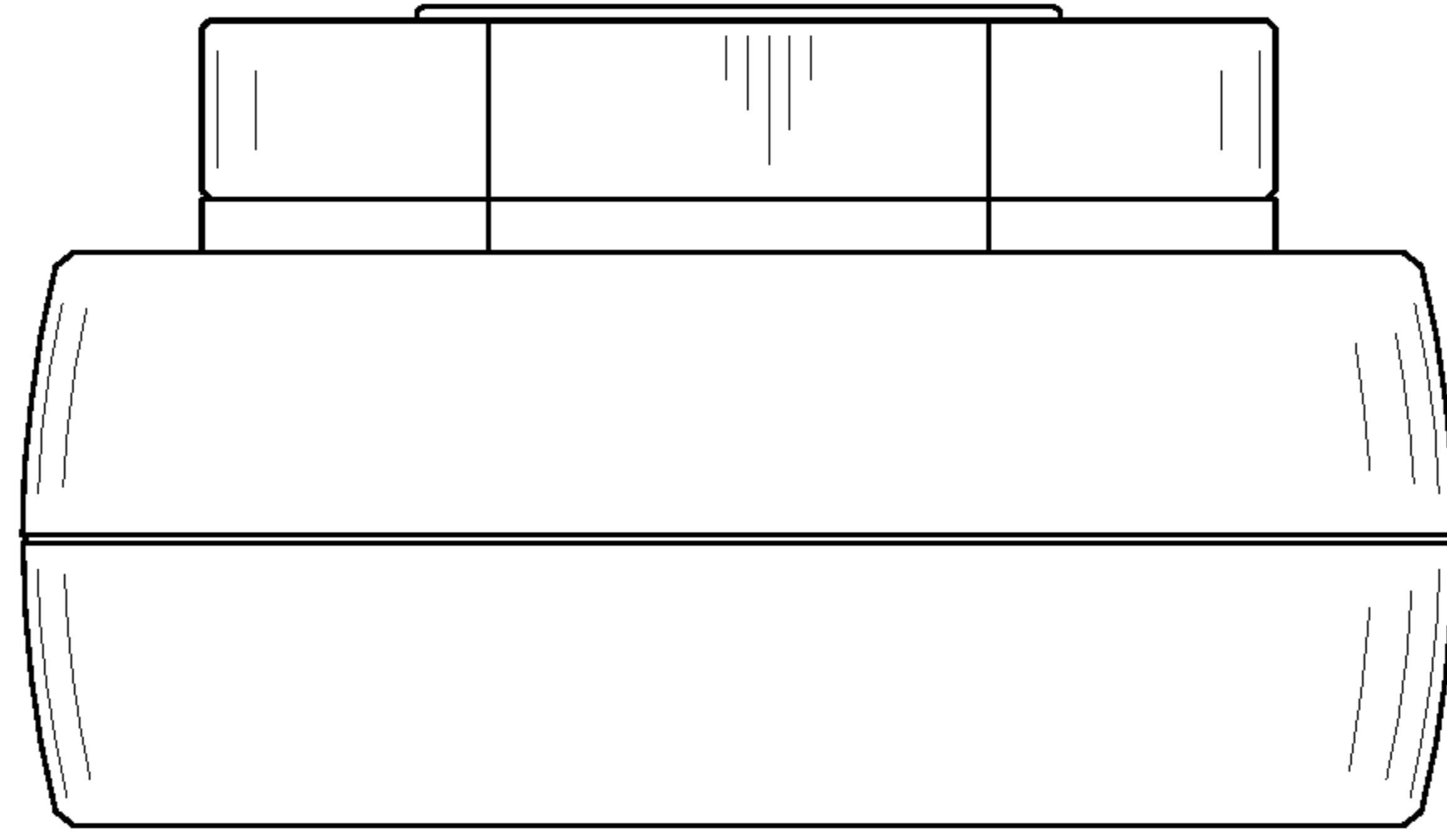


Fig.5



Fig.6

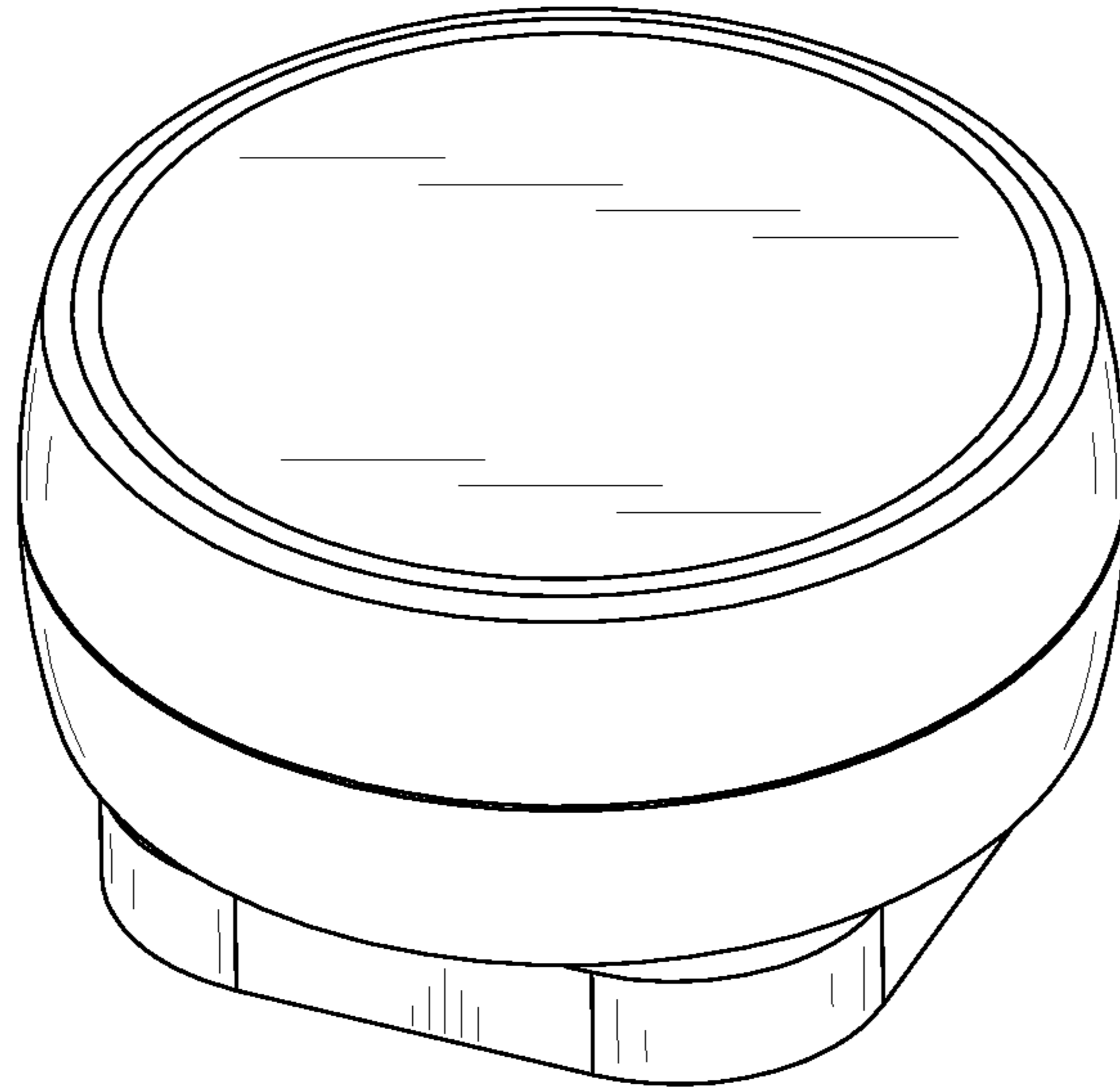


Fig.7

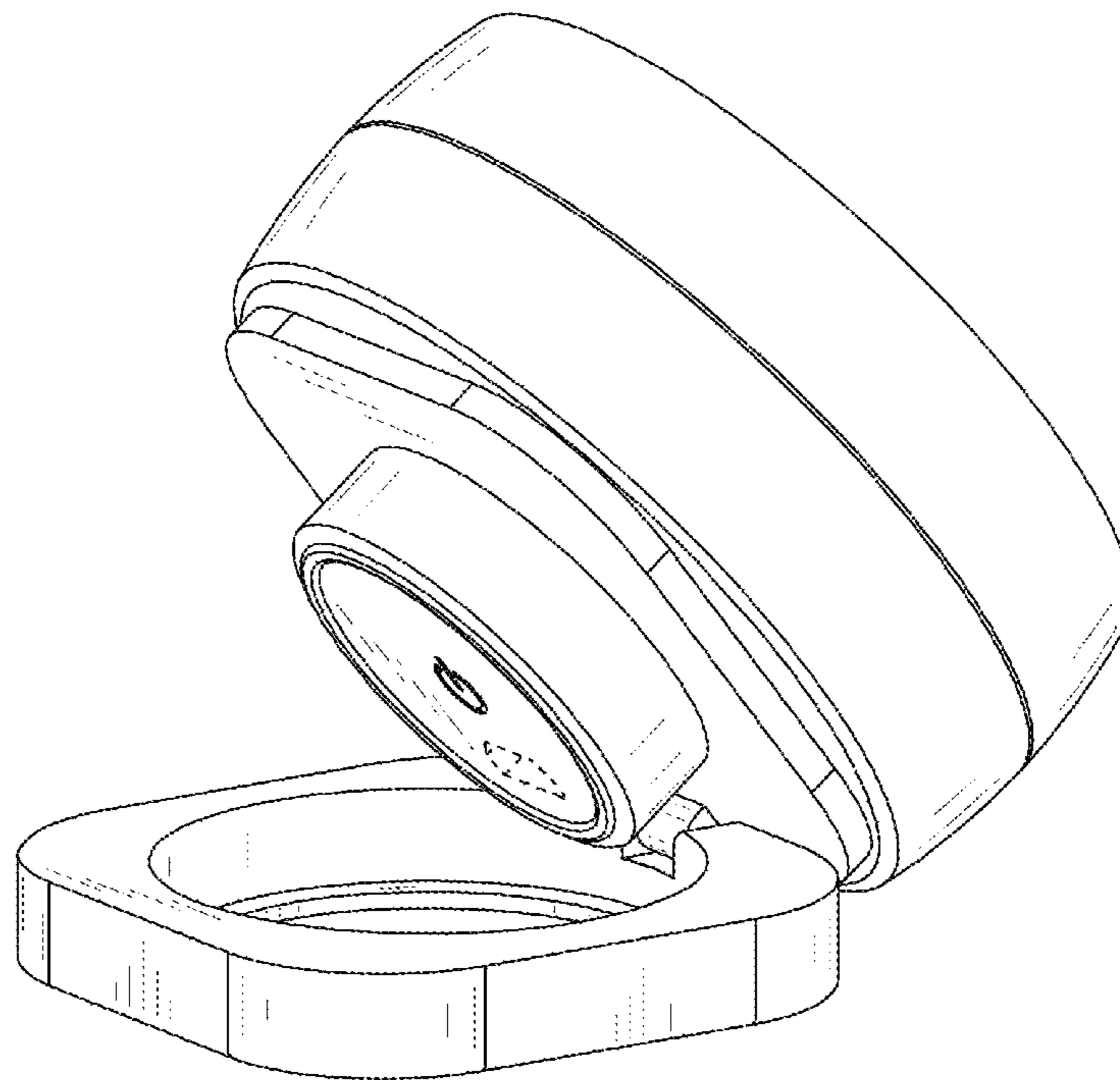


Fig.8