



US00D903624S

(12) **United States Design Patent** (10) **Patent No.:** **US D903,624 S**  
**Tooker et al.** (45) **Date of Patent:** **\*\* Dec. 1, 2020**

(54) **JUKEBOX**

(71) Applicant: **TouchTunes Music Corporation**, New York, NY (US)

(72) Inventors: **Michael Tooker**, Point Claire (CA); **Daniel Eugene Hamric**, Lake in the Hills, IL (US); **Michel Bryant**, Laval (CA); **Vitalie Arefiti**, Saint Laurent (CA); **Jean Gauthier**, Saint-Therese (CA); **Leo Frederick Maheu**, Montreal (CA); **Bruno Germansderfer**, New York, NY (US)

(73) Assignee: **TouchTunes Music Corporation**, New York, NY (US)

(\*\*) Term: **15 Years**

(21) Appl. No.: **29/638,574**

(22) Filed: **Feb. 27, 2018**

(51) **LOC (12) Cl.** ..... **14-01**

(52) **U.S. Cl.**  
USPC ..... **D14/173; D14/172**

(58) **Field of Classification Search**  
USPC ..... D14/170–173, 137, 160, 167, 168, 188, D14/194–196, 203.1–203.7, 204, 207, D14/209.1, 210–216, 217, 219, 221, 222, D14/224, 240, 242, 265, 314, 356, 358, D14/474, 483, 496, 507; D21/324–325, D21/369  
CPC . H04R 1/02; H04R 1/06; H04R 1/021; H04R 1/025; H04R 1/026; H04R 1/105; H04R 1/323; H04R 1/345; H04R 1/403; H04R 1/2803; H04R 1/2834; H04R 5/02; H04R 9/06; H04R 2201/021; H04R 2499/11; H04R 2499/13; H04R 2499/15; B60R 11/0217; G06F 1/1688; G06F 3/038; G06F 3/0686

See application file for complete search history.

(56) **References Cited**

U.S. PATENT DOCUMENTS

5,001,603 A \* 3/1991 Villaneuva ..... H05K 5/0234 248/615  
D324,864 S \* 3/1992 Hector ..... D14/159  
D327,685 S \* 7/1992 Arbiter ..... D14/173  
D327,687 S \* 7/1992 Arbiter ..... D14/173  
D341,593 S \* 11/1993 Chang ..... D14/159  
D405,791 S \* 2/1999 Menke ..... D14/173

(Continued)

OTHER PUBLICATIONS

“TouchTunes and the New Angelina Jukebox,” TouchTunes Angelina Jukebox pictured therein, online, post date Apr. 1, 2018, URL: <https://www.replaymag.com/touhtunes-april-2018/>, retrieved Sep. 24, 2019.\*

*Primary Examiner* — Jeffrey D Asch  
*Assistant Examiner* — Rebekah A Caruso

(74) *Attorney, Agent, or Firm* — Nixon & Vanderhye, P.C.

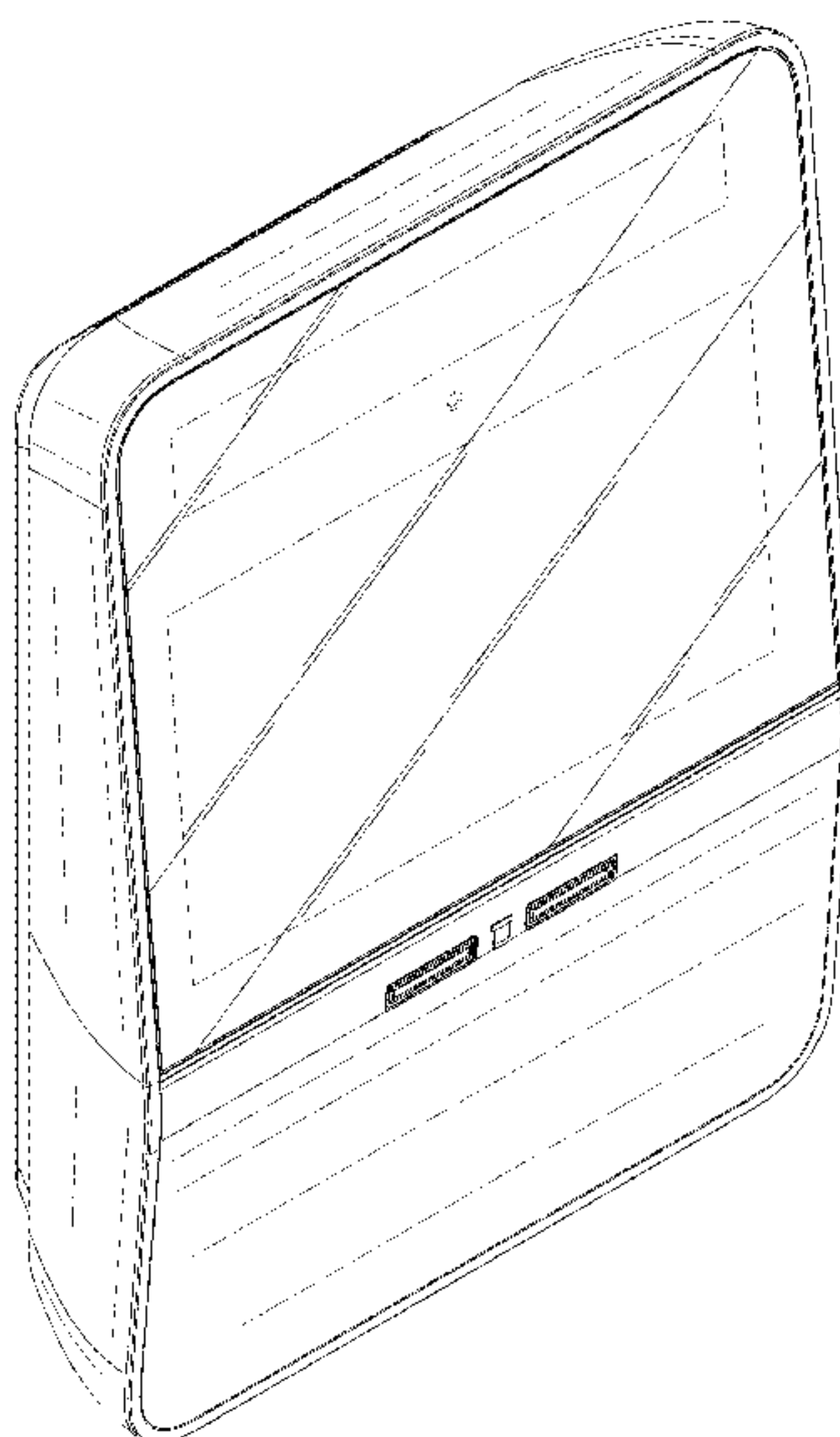
(57) **CLAIM**

The ornamental design for a jukebox, as shown and described.

**DESCRIPTION**

FIG. 1 is a front perspective view of a jukebox in accordance with our design;  
FIG. 2 is an enlarged view of a portion of the front perspective view of FIG. 1;  
FIG. 3 is a rear perspective view of a jukebox thereof  
FIG. 4 is a front elevation view thereof;  
FIG. 5 is a rear elevation view thereof;  
FIG. 6 is a top plan view thereof;  
FIG. 7 is a bottom plan view thereof;  
FIG. 8 is a right side view thereof; and,  
FIG. 9 is a left side view thereof.  
The dashed lines shown in FIGS. 1-9 represent environmental structure and form no part of the claimed design.

**1 Claim, 7 Drawing Sheets**



(56)

**References Cited**

## U.S. PATENT DOCUMENTS

6,430,117	B2 *	8/2002	Zimmer	.....	G07F 17/305 369/30.06
D494,188	S *	8/2004	Huang	.....	D14/203.3
D597,075	S *	7/2009	Irii	.....	D14/214
D645,371	S *	9/2011	Ueda	.....	D10/98
D665,375	S *	8/2012	Garneau	.....	D14/173
D670,675	S *	11/2012	Garneau	.....	D14/172
D680,890	S *	4/2013	Ueda	.....	D10/98
D686,591	S *	7/2013	Garneau	.....	D14/173
D689,461	S *	9/2013	Garneau	.....	D14/172
D695,706	S *	12/2013	Garneau	.....	D14/172
D704,160	S *	5/2014	Garneau	.....	D14/172
D722,039	S *	2/2015	Garneau	.....	D14/173
D734,735	S *	7/2015	Tooker	.....	D14/172
D741,284	S *	10/2015	Tooker	.....	D14/173
D765,052	S *	8/2016	Garneau	.....	D14/173
D775,603	S *	1/2017	Tooker	.....	D14/172
D816,056	S *	4/2018	Klein	.....	D14/149
2010/0269042	A1 *	10/2010	Richards	.....	G06F 3/038 715/716

\* cited by examiner

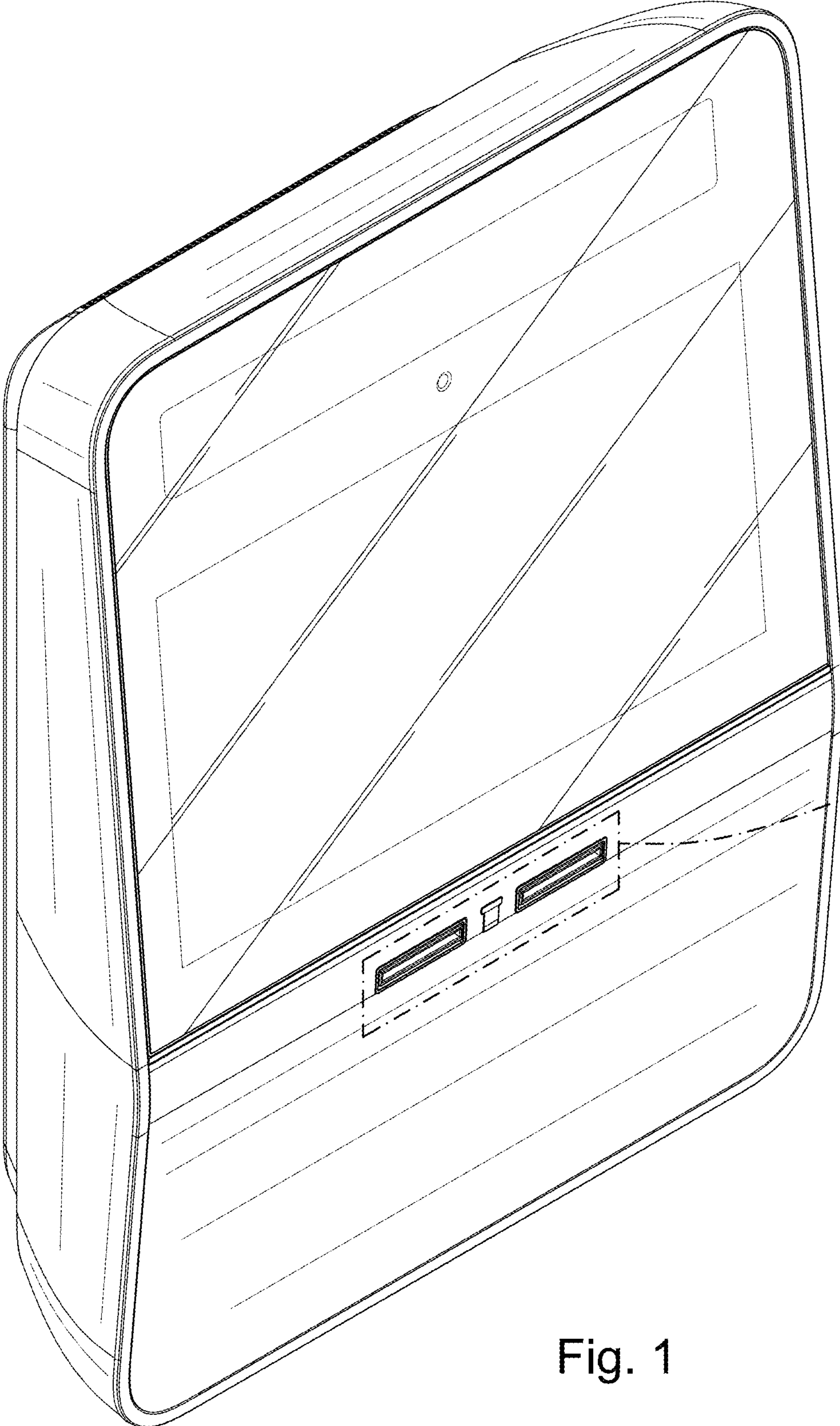


Fig. 2

Fig. 1

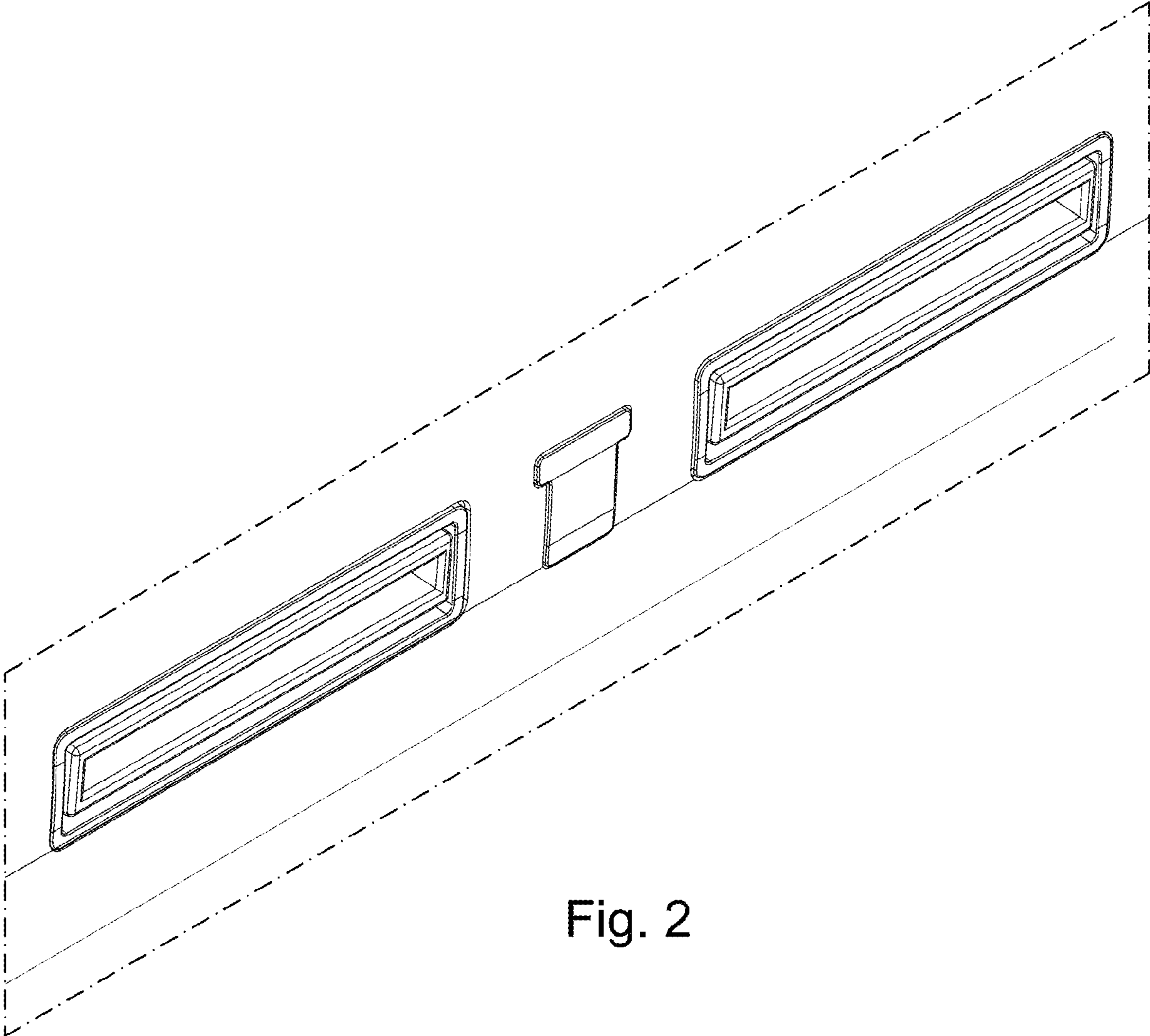


Fig. 2



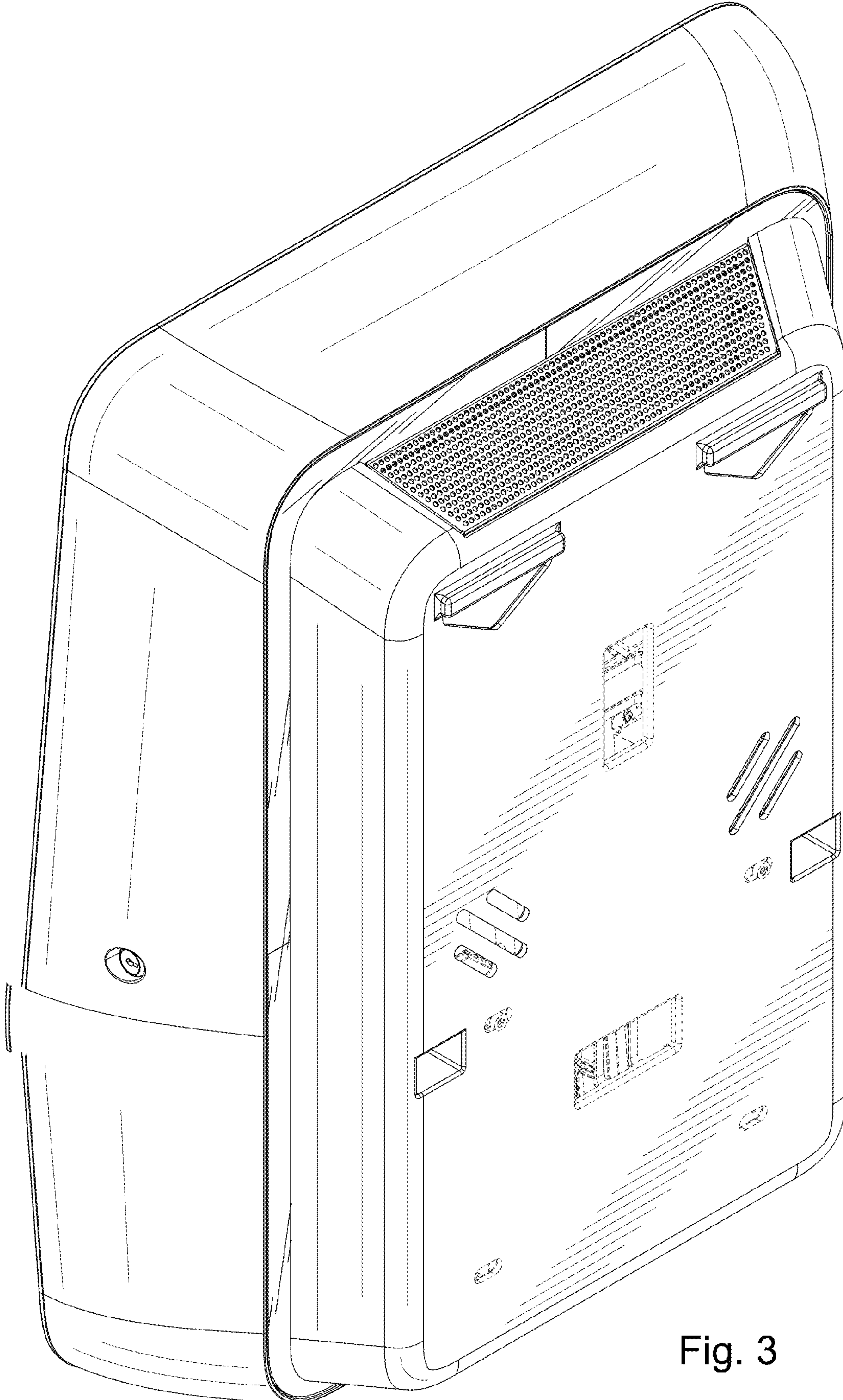


Fig. 3

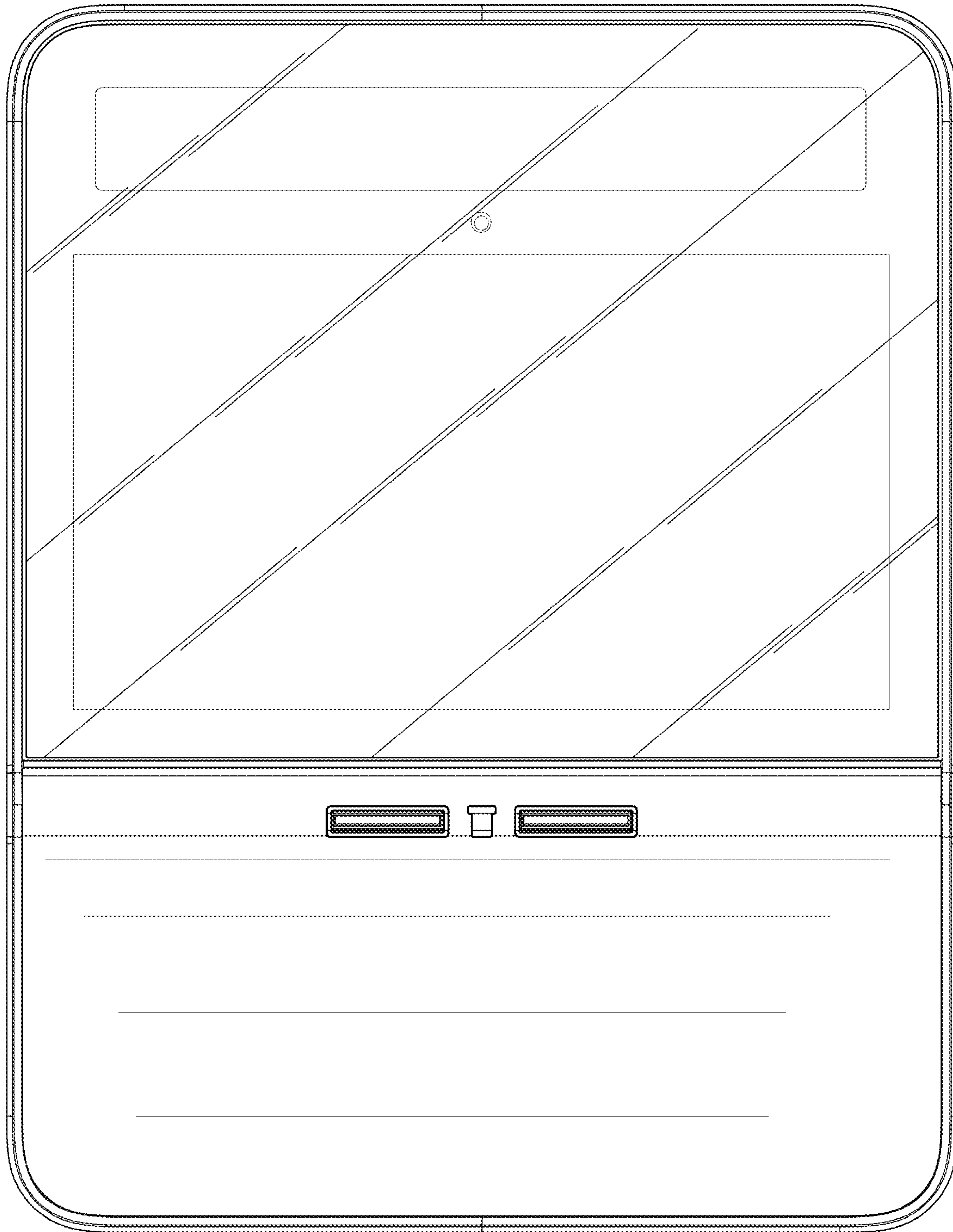


Fig. 4

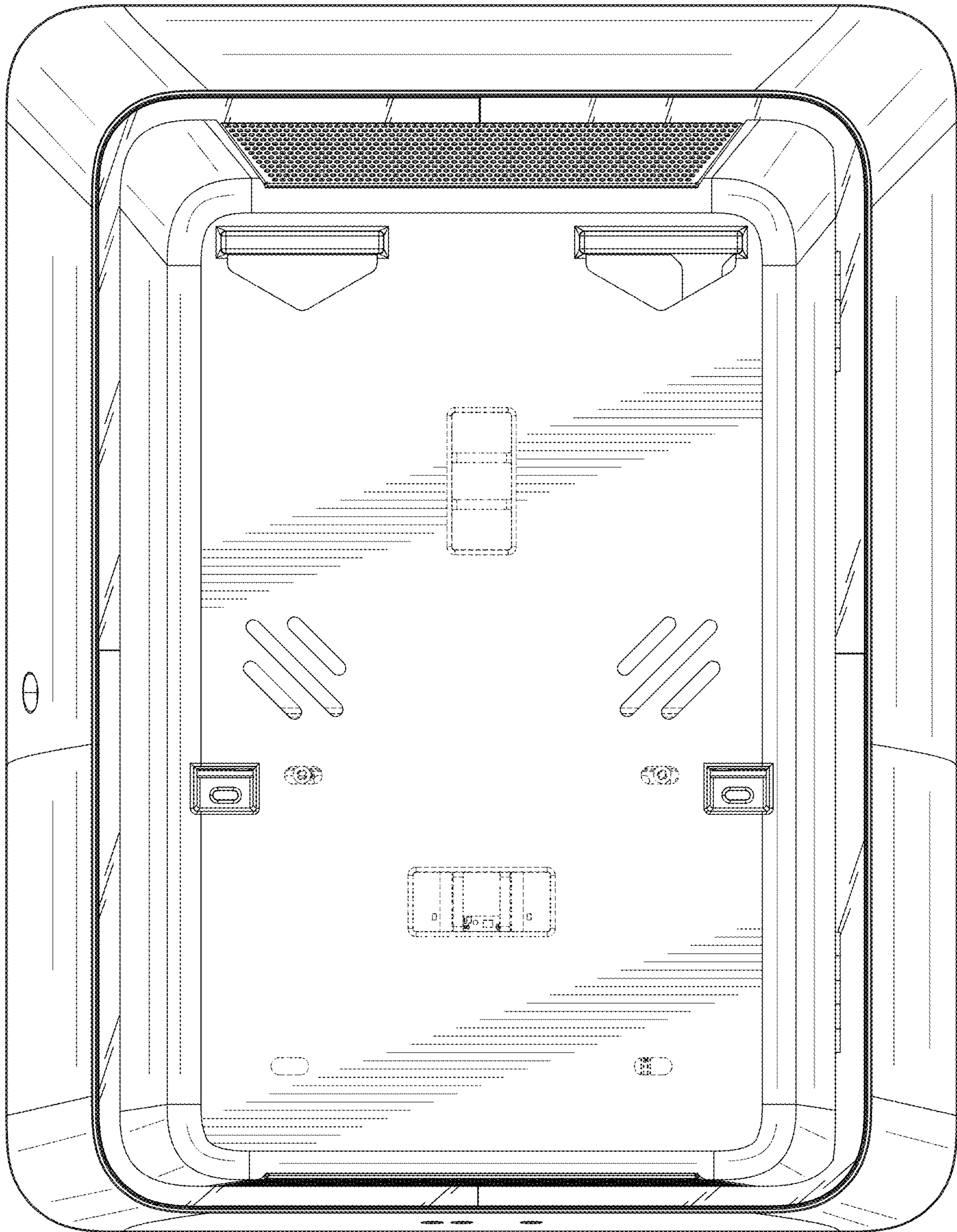


Fig. 5



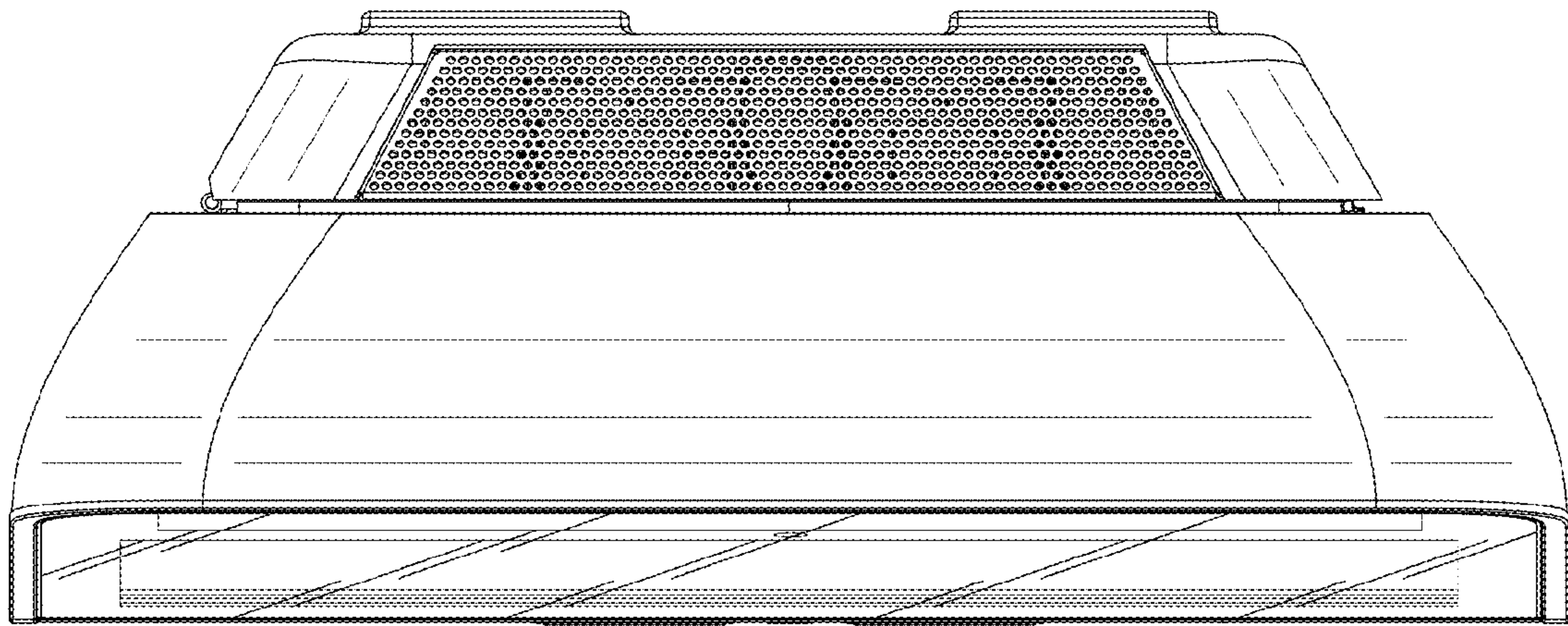


Fig. 6

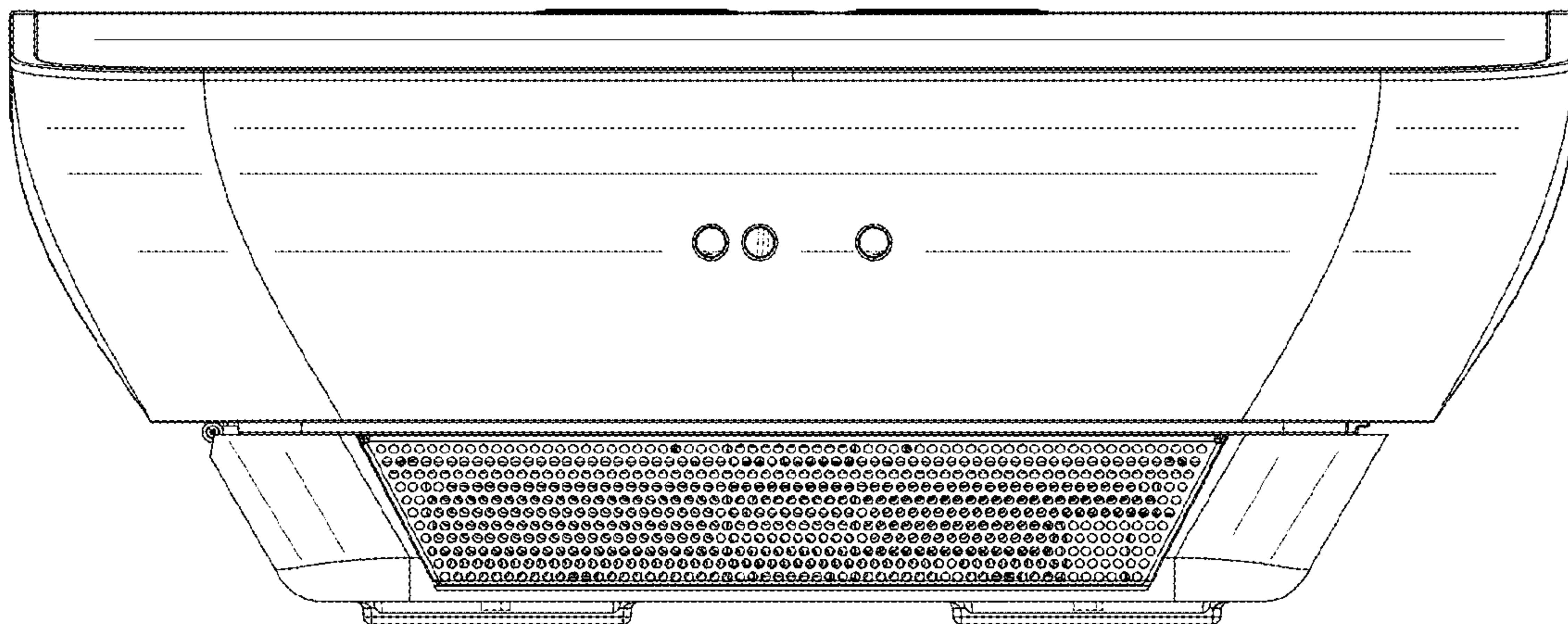


Fig. 7



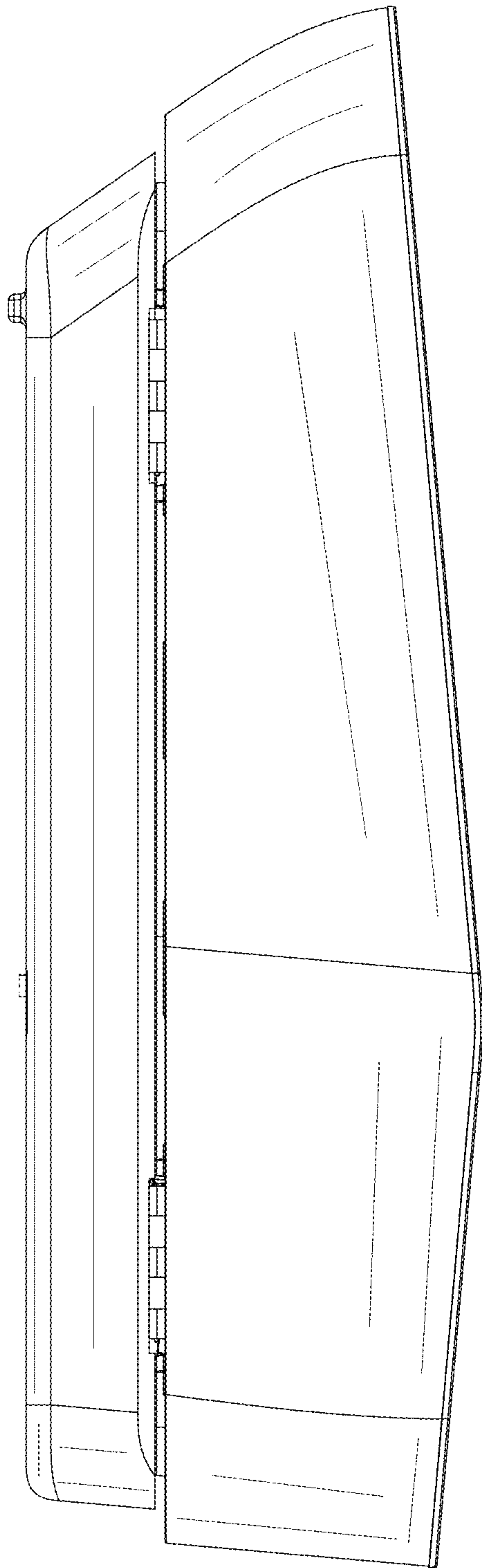


Fig. 8

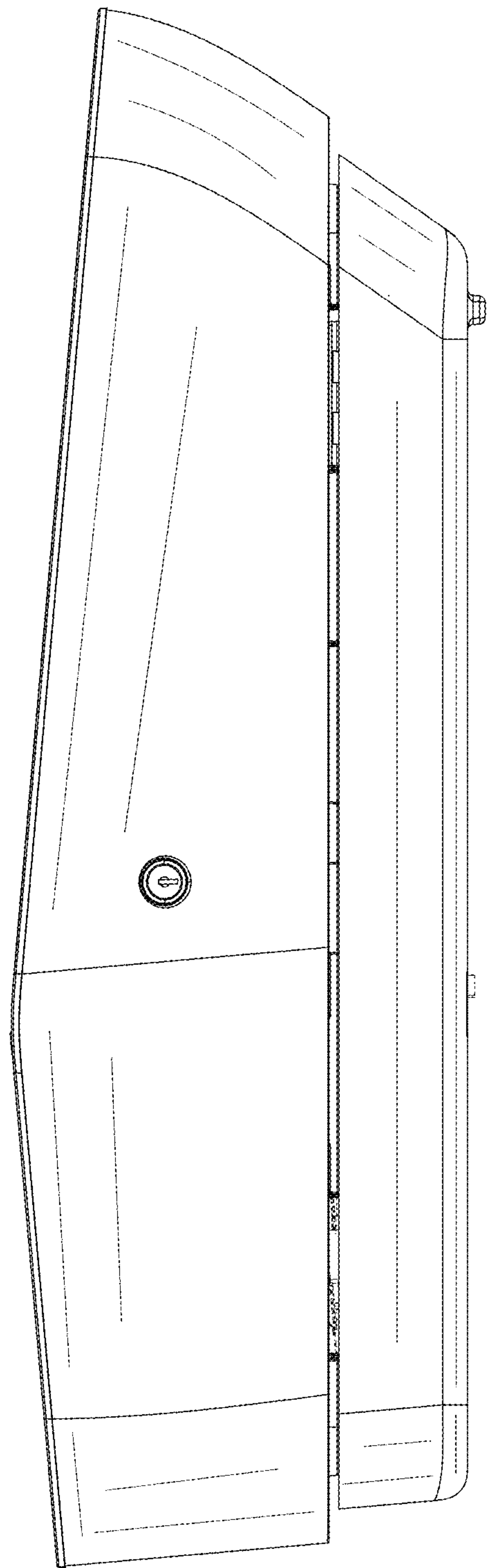


Fig. 9