



US00D903616S

(12) **United States Design Patent** (10) **Patent No.:** **US D903,616 S**
Kim et al. (45) **Date of Patent:** **** Dec. 1, 2020**

(54) **COMPUTER MONITOR**

(56) **References Cited**

(71) Applicant: **LG ELECTRONICS INC.**, Seoul (KR)

U.S. PATENT DOCUMENTS

(72) Inventors: **Hyeongyeol Kim**, Seoul (KR); **Yongsoo Kim**, Seoul (KR); **Daihyung Ryu**, Seoul (KR)

D692,906	S	*	11/2013	Coudron	G06F 3/04817
						D14/486
D828,837	S	*	9/2018	Kim	D14/374
D838,268	S	*	1/2019	Little	D14/314
D854,540	S	*	7/2019	Kim	D14/336
D888,677	S	*	6/2020	Ryu	D14/126
D888,678	S	*	6/2020	Ryu	D14/126
D888,679	S	*	6/2020	Kim	D14/126
D888,680	S	*	6/2020	Kim	D14/126
2006/0076463	A1	*	4/2006	Drew	F16M 11/105
						248/121
2007/0146979	A1	*	6/2007	Chen	G06F 1/1601
						361/679.21
2014/0321039	A1	*	10/2014	Quijano	F16M 11/16
						361/679.22

(73) Assignee: **LG Electronics Inc.**, Seoul (KR)

(**) Term: **15 Years**

(21) Appl. No.: **35/508,029**

(22) Filed: **Jun. 4, 2019**

(80) **Hague Agreement Data**

Int. Filing Date: **Jun. 4, 2019**
 Int. Reg. No.: **DM/203906**
 Int. Reg. Date: **Jun. 4, 2019**
 Int. Reg. Pub. Date: **Dec. 6, 2019**

(30) **Foreign Application Priority Data**

Dec. 14, 2018 (KR) 30-2018-0059299

(51) **LOC (12) Cl.** **14-03**

(52) **U.S. Cl.**
 USPC **D14/129**
 CPC **G06F 1/1605** (2013.01)

(58) **Field of Classification Search**
 USPC D14/126, 336, 371-377
 CPC G06F 2200/1612; G06F 1/1605; G06F 21/84; G06F 2200/1631; H04N 5/64; H04N 5/645; H05K 5/00; H05K 5/0204
 See application file for complete search history.

* cited by examiner

Primary Examiner — Richard E Chilcot
 (74) *Attorney, Agent, or Firm* — Birch, Stewart, Kolasch & Birch, LLP

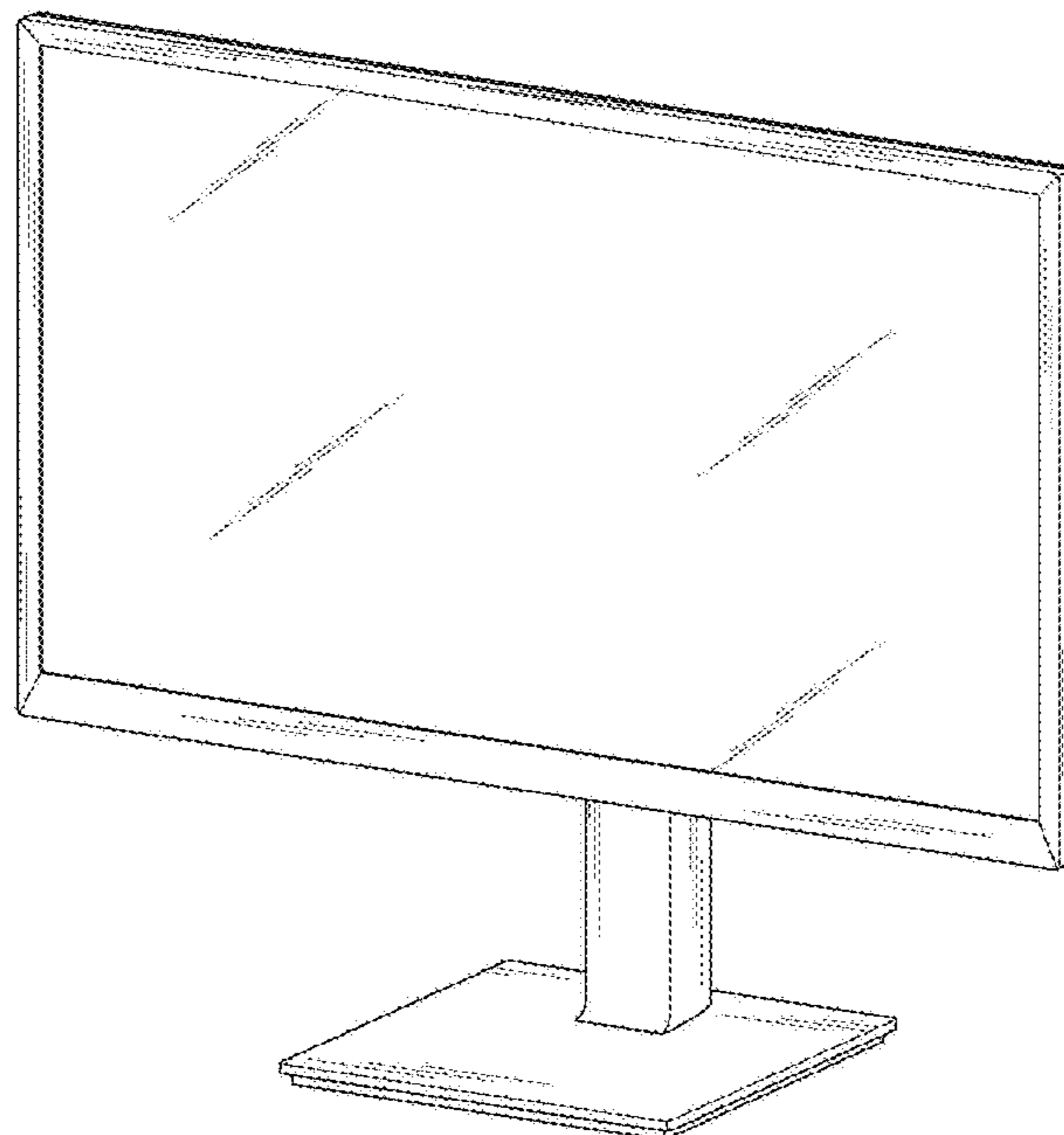
(57) **CLAIM**

The ornamental design for a computer monitor, as shown and described.

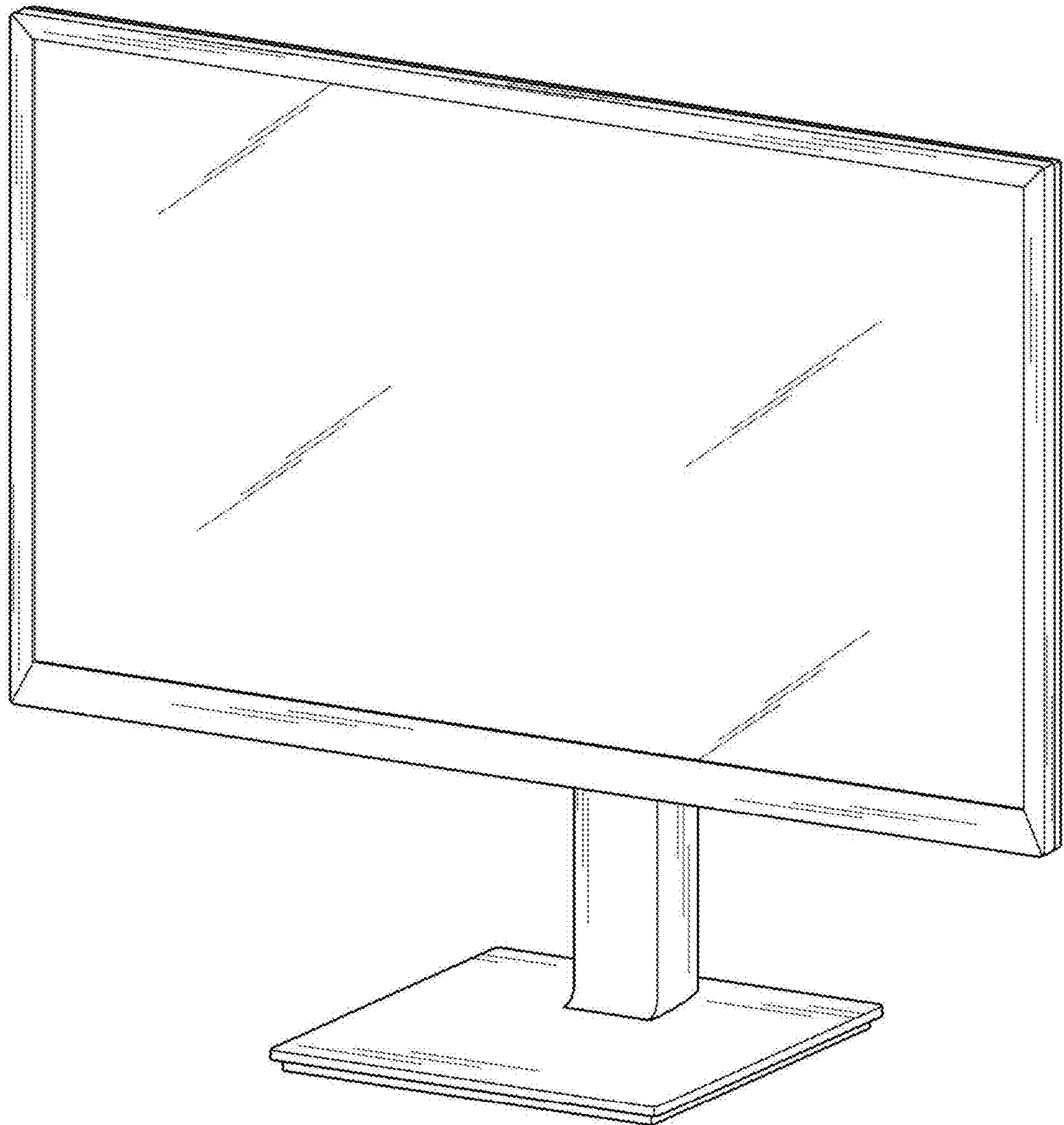
DESCRIPTION

1. Computer monitor
- 1.1 : Front perspective
- 1.2 : Front
- 1.3 : Back
- 1.4 : Left
- 1.5 : Right
- 1.6 : Top
- 1.7 : Bottom
- 1.8 : Rear perspective

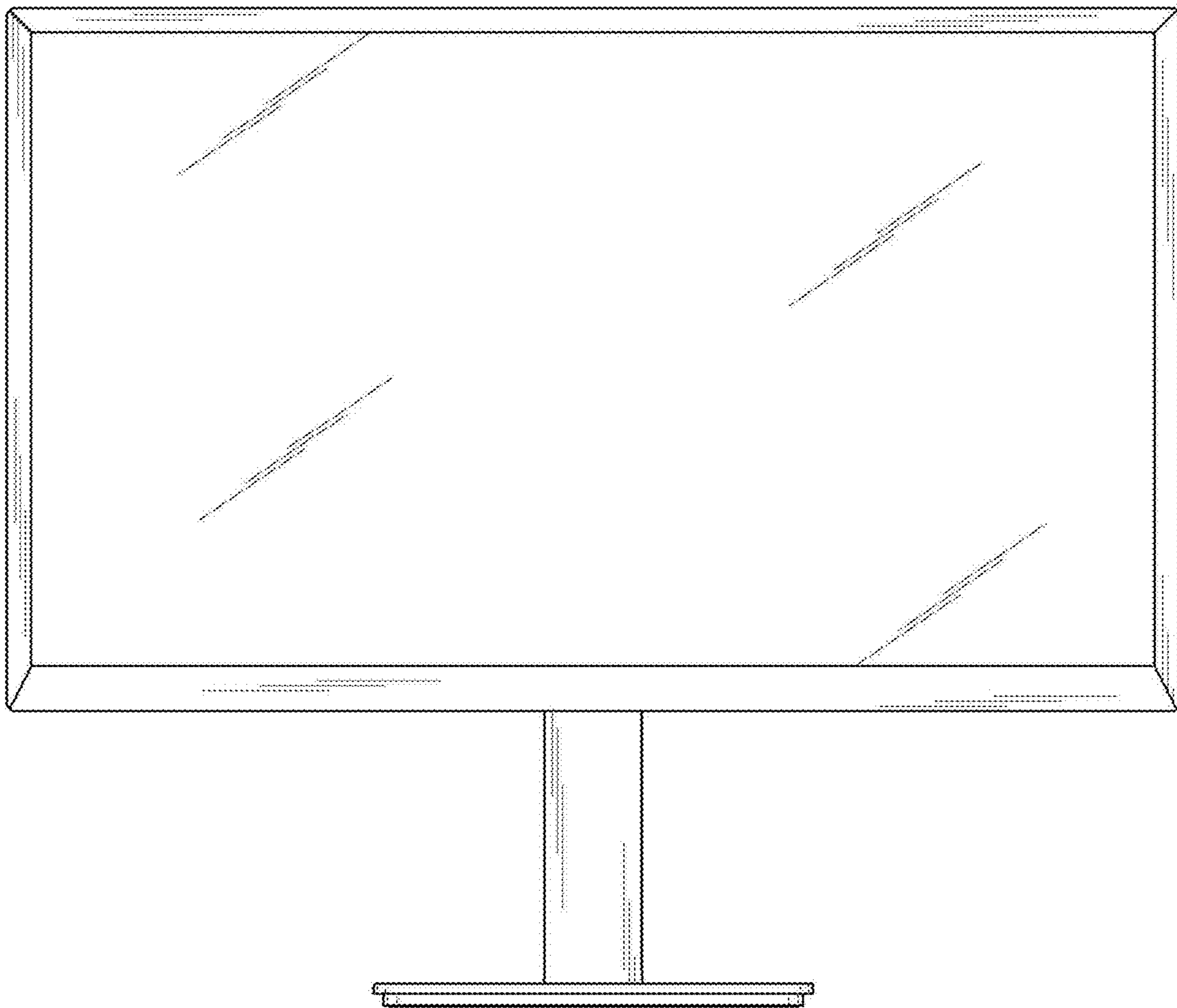
1 Claim, 8 Drawing Sheets



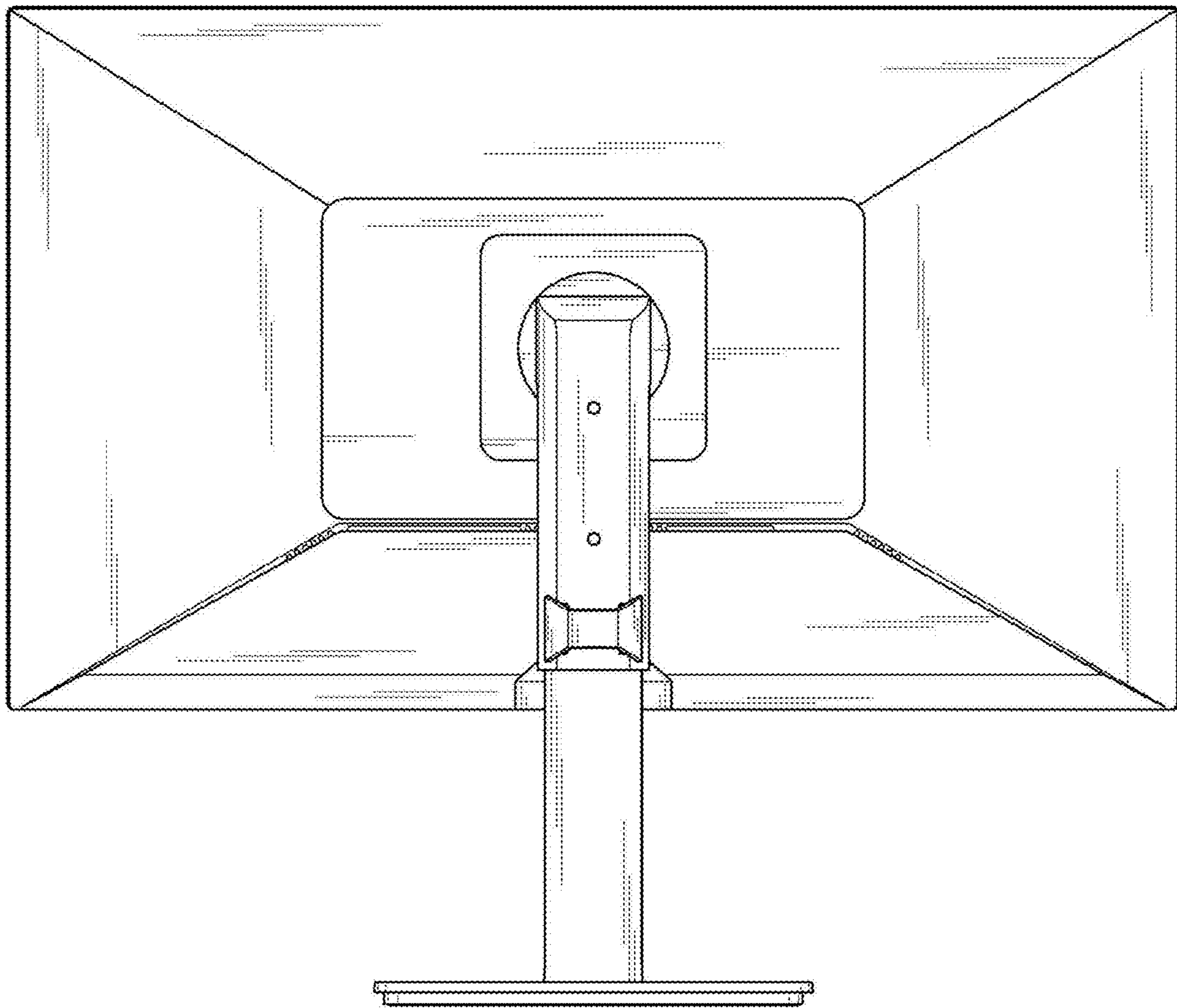
1.1



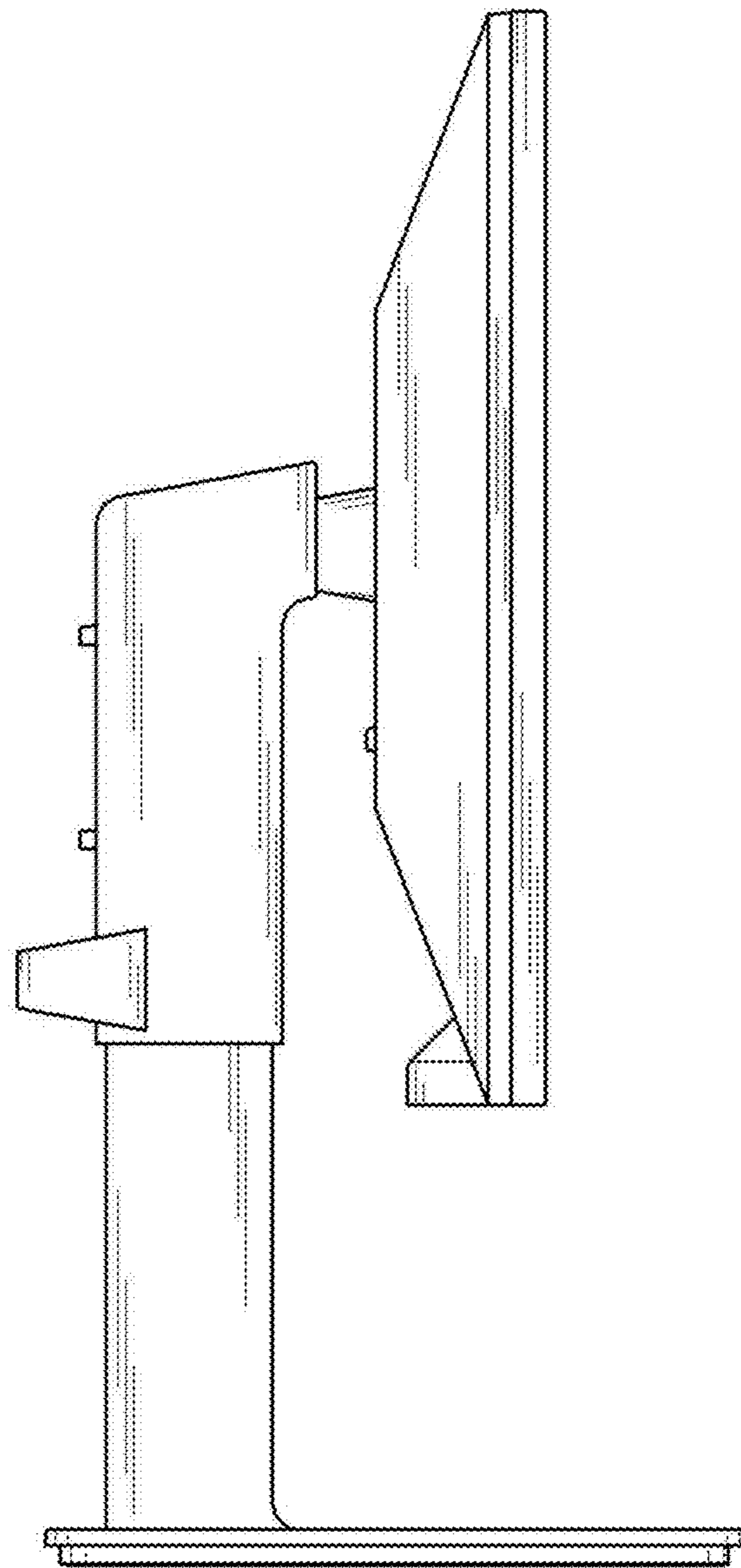
1.2



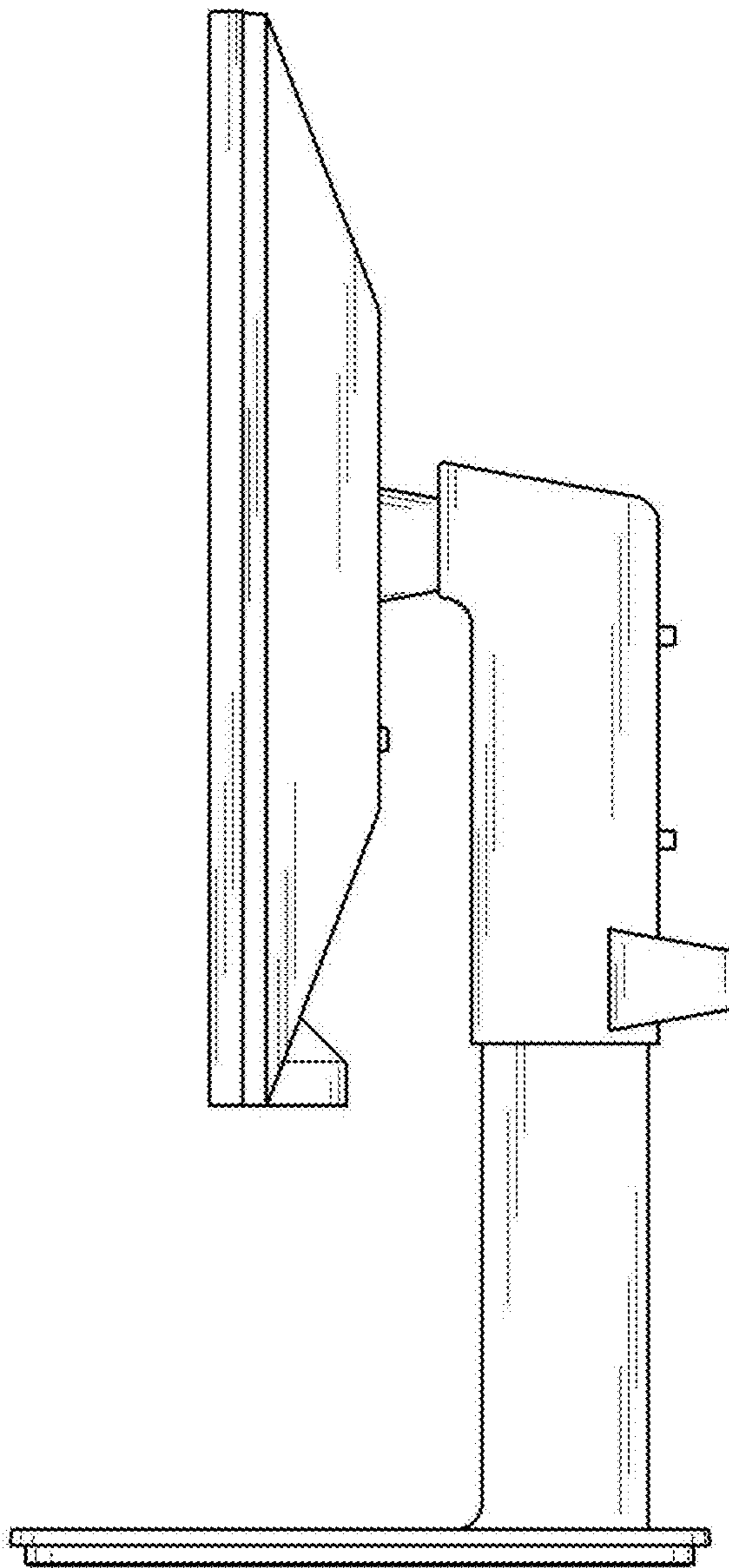
1.3



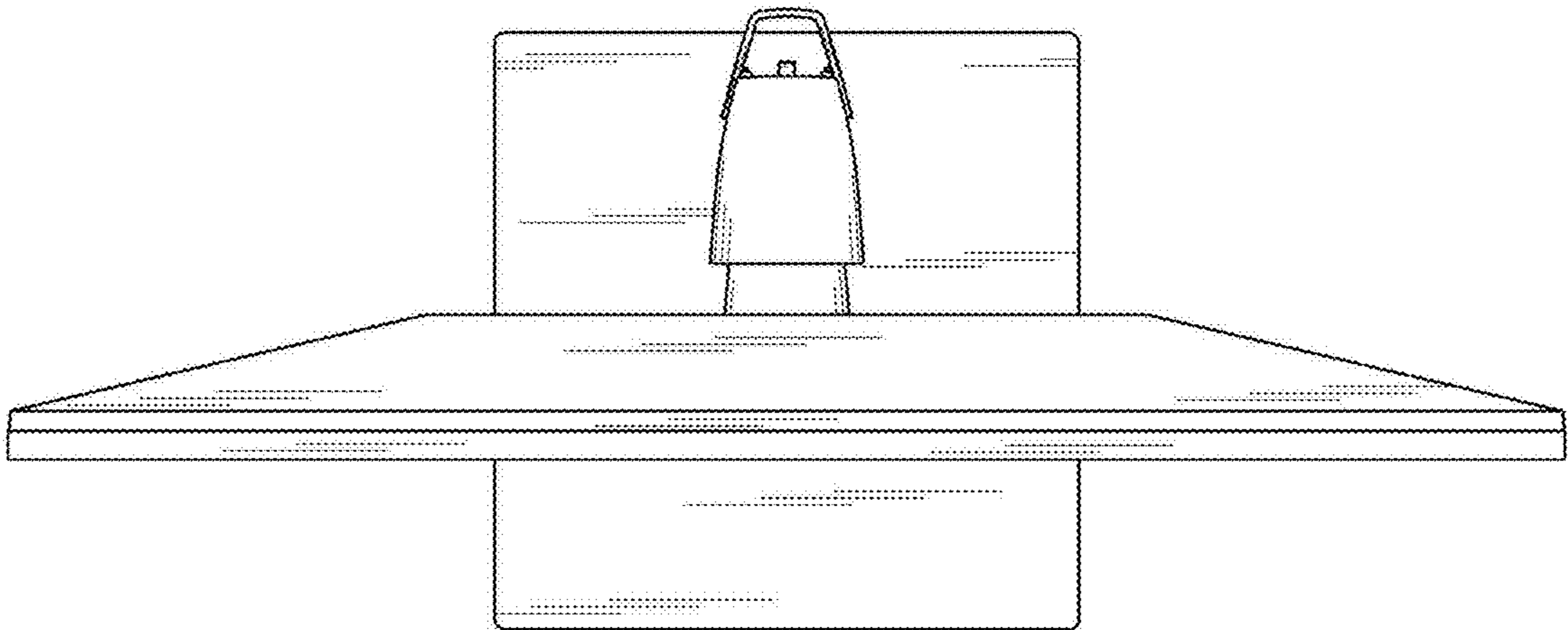
1.4



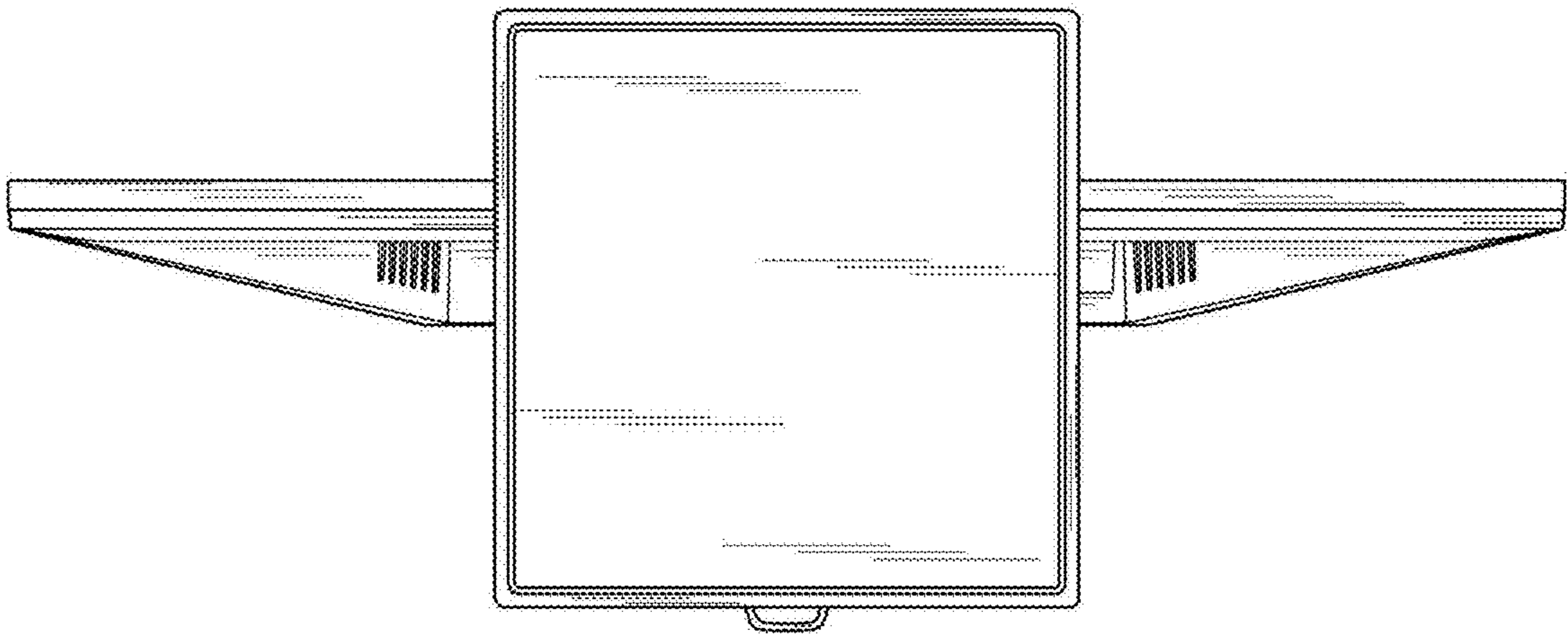
1.5



1.6



1.7



1.8

