



US00D903614S

(12) **United States Design Patent** (10) **Patent No.:** **US D903,614 S**  
**Suzuki** (45) **Date of Patent:** **\*\* Dec. 1, 2020**

(54) **LASER BEAM REFLECTOR**

(71) Applicant: **HAMAMATSU PHOTONICS K.K.**,  
Hamamatsu (JP)

(72) Inventor: **Daiki Suzuki**, Hamamatsu (JP)

(73) Assignee: **HAMAMATSU PHOTONICS K.K.**,  
Hamamatsu (JP)

(\*\*) Term: **15 Years**

(21) Appl. No.: **29/668,518**

(22) Filed: **Oct. 31, 2018**

(30) **Foreign Application Priority Data**

May 1, 2018 (JP) ..... 2018-009717

May 1, 2018 (JP) ..... 2018-009723

(Continued)

(51) **LOC (12) Cl.** ..... **13-99**

(52) **U.S. Cl.**  
USPC ..... **D13/199**

(58) **Field of Classification Search**  
USPC ..... D14/420; D24/216; D13/199

(Continued)

(56) **References Cited**

**U.S. PATENT DOCUMENTS**

D175,401 S 8/1955 Gottschalk et al.

D271,208 S 11/1983 Daggett et al.

(Continued)

**OTHER PUBLICATIONS**

Ushiro, Kosuke, et al., "Development and Verification for Next Generation System of Surrounding Environment Recognition Technology-Third Report: System Architecture of MEMS Scanning 3D Range Sensor—(Exhibit 1)", [http://www.jari.or.jp/Portals/0/resource/JRJ\\_q/JRJ20171103\\_q.pdf](http://www.jari.or.jp/Portals/0/resource/JRJ_q/JRJ20171103_q.pdf), Nov. 3, 2017.

(Continued)

*Primary Examiner* — George D. Kirschbaum

(74) *Attorney, Agent, or Firm* — Faegre Drinker Biddle & Reath LLP

(57) **CLAIM**

The ornamental design for a laser beam reflector, as shown and described.

**DESCRIPTION**

FIG. 1 is a front view of a laser beam reflector of the first embodiment of the present invention;

FIG. 2 is a rear view thereof;

FIG. 3 is a top plan view thereof;

FIG. 4 is a bottom plan view thereof;

FIG. 5 is a right side view thereof;

FIG. 6 is a left side view thereof;

FIG. 7 is a front, top plan and right side perspective view thereof;

FIG. 8 is a rear, top plan and left side perspective view thereof;

FIG. 9 is a cross-sectional view along the line 9-9 in FIG. 3;

FIG. 10 is an enlarged cross-sectional view along the line 10-10 in FIG. 1, in the area designated by 10'-10' in FIGS. 1 and 10"-10" in FIG. 3;

FIG. 11 is a rear, top plan and left side perspective view thereof in the state of use;

FIG. 12 is a front view of a laser beam reflector of the second embodiment of the present invention;

FIG. 13 is a rear view thereof;

FIG. 14 is a top plan view thereof;

FIG. 15 is a bottom plan view thereof;

FIG. 16 is a right side view thereof;

FIG. 17 is a left side view thereof;

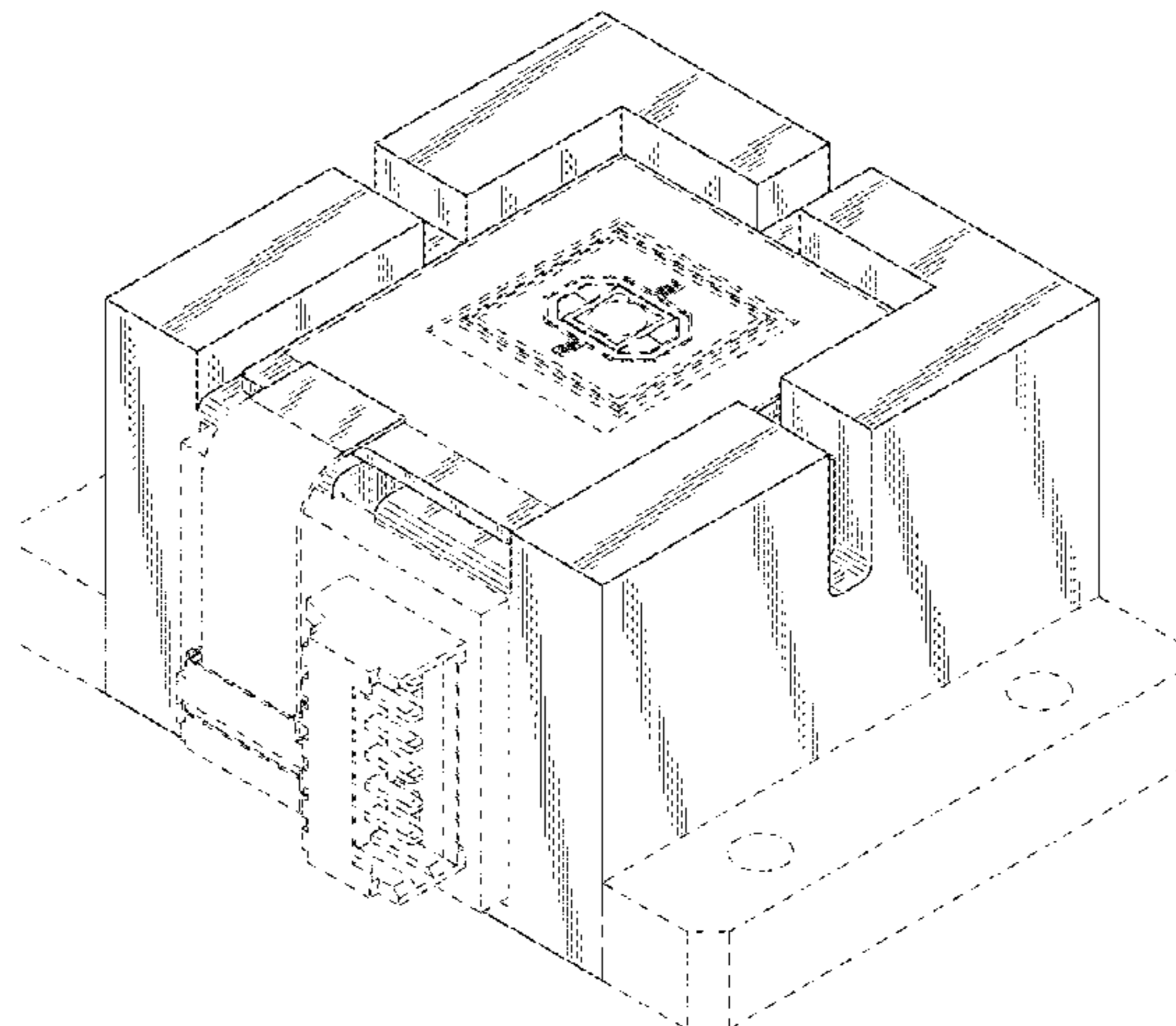
FIG. 18 is a front, top plan and right side perspective view thereof;

FIG. 19 is a rear, top plan and left side perspective view thereof;

FIG. 20 is a cross-sectional view along the line 20-20 in FIG. 14; and,

FIG. 21 is an enlarged cross-sectional view along the line 21-21 in FIG. 12, in the area designated by 21'-21' in FIG. 12 and 21"-21" in FIG. 14.

(Continued)



The features shown in evenly-dashed broken lines depict environmental subject matter only and form no part of the claimed design. The dot-dash broken lines in the drawings represent the bounds of the claimed subject matter, the dot-dash broken lines, themselves forming no part thereof.

### 1 Claim, 21 Drawing Sheets

#### (30) Foreign Application Priority Data

May 1, 2018 (JP) ..... 2018-009724  
 May 1, 2018 (JP) ..... 2018-009725  
 May 1, 2018 (JP) ..... 2018-009727

#### (58) Field of Classification Search

CPC ..... G01S 7/4811; G01B 11/24; G01C 15/002;  
 G01N 15/14; A61B 6/08; B23K 26/02;  
 B81B 7/0016

See application file for complete search history.

#### (56) References Cited

##### U.S. PATENT DOCUMENTS

D276,240 S 11/1984 Bonnefoy  
 4,859,029 A 8/1989 Durell  
 D304,952 S 12/1989 Fukuda et al.  
 5,132,509 A \* 7/1992 Hayakawa ..... B23K 26/02  
 219/121.67  
 5,629,790 A 5/1997 Neukermans et al.  
 6,002,507 A 12/1999 Floyd et al.  
 6,122,089 A 9/2000 Minamoto et al.  
 6,128,122 A 10/2000 Drake et al.  
 6,154,522 A \* 11/2000 Cumings ..... A61B 6/08  
 356/138  
 6,232,861 B1 5/2001 Asada  
 6,426,013 B1 7/2002 Neukermans et al.  
 6,528,887 B2 3/2003 Daneman et al.  
 RE38,437 E 2/2004 Floyd et al.  
 6,781,732 B2 8/2004 Cho et al.  
 6,791,731 B2 9/2004 Ryu et al.  
 6,803,938 B2 10/2004 Turner  
 D502,953 S 3/2005 Kerrod et al.  
 6,897,990 B2 5/2005 Yagi et al.  
 6,900,925 B2 5/2005 Kato et al.  
 6,903,818 B2 \* 6/2005 Cerni ..... G01N 15/14  
 250/341.8  
 6,924,915 B2 8/2005 Hirose et al.  
 6,949,996 B2 9/2005 Matsumoto et al.  
 7,012,737 B2 3/2006 Iwasaki et al.  
 D528,997 S 9/2006 Jung et al.  
 7,224,507 B2 5/2007 Kamiya et al.  
 7,230,743 B2 6/2007 Matsuo et al.  
 7,256,926 B2 8/2007 Kamiya et al.  
 7,391,222 B2 6/2008 Nishio  
 7,408,690 B2 8/2008 Mizoguchi  
 7,605,965 B2 \* 10/2009 Tani ..... B81B 7/0016  
 359/224.1

D689,209 S 9/2013 Donofrio et al.  
 D725,051 S 3/2015 Kao et al.  
 D740,240 S 10/2015 Chen et al.  
 9,258,486 B2 2/2016 Hu et al.  
 9,322,654 B2 \* 4/2016 Bockem ..... G01C 15/002  
 D762,183 S 7/2016 Kim et al.  
 9,453,721 B2 \* 9/2016 Akita ..... G01B 11/24  
 9,477,078 B2 10/2016 Murata et al.  
 9,482,864 B2 11/2016 Shimizu  
 D777,121 S 1/2017 Panaccione et al.  
 9,547,170 B2 1/2017 Hino et al.  
 D778,849 S 2/2017 Maruyama  
 D782,425 S 3/2017 Ko et al.  
 9,632,309 B2 4/2017 Yasuda  
 9,681,015 B2 6/2017 Mizoguchi  
 D791,963 S \* 7/2017 Orcutt ..... D24/216  
 9,729,038 B2 8/2017 Takimoto et al.  
 9,798,135 B2 10/2017 Erlich et al.  
 9,846,076 B2 12/2017 Shibayama et al.  
 D807,945 S 1/2018 Otsuka  
 D813,692 S 3/2018 Dugarry  
 9,952,158 B2 4/2018 Ito et al.  
 9,953,729 B2 4/2018 Watari et al.  
 10,054,439 B2 \* 8/2018 Jensen ..... G01S 7/4811  
 D829,580 S 10/2018 Hirose et al.  
 D841,590 S 2/2019 Otsuka et al.  
 D846,512 S 4/2019 Nishio et al.  
 10,295,852 B2 5/2019 Wada et al.  
 10,330,923 B2 6/2019 Hino et al.  
 D871,412 S \* 12/2019 Aprile ..... D14/420  
 D876,525 S 2/2020 Sun et al.  
 10,549,981 B2 2/2020 Takimoto et al.  
 10,589,985 B2 3/2020 Takimoto et al.  
 10,591,719 B2 3/2020 Byeman et al.

##### OTHER PUBLICATIONS

“Autonomous driving & ADAS (Exhibit 2)”, [http://www.hamamatsu.com/eu/en/community/optical\\_sensors/applications/autonomous\\_driving\\_adas/index.html](http://www.hamamatsu.com/eu/en/community/optical_sensors/applications/autonomous_driving_adas/index.html), Nov. 22, 2017.  
 “Products (Exhibit 3)”, [http://www.hamamatsu.com/us/en/community/optical\\_sensors/photronics\\_west/products/index.html](http://www.hamamatsu.com/us/en/community/optical_sensors/photronics_west/products/index.html), Dec. 16, 2017.  
 “Photograph (Exhibit 4-1)”, Hamamatsu Photonics K.K., Jan. 30 to Feb. 1, 2018.  
 “Photonics West 2018 Technical Program (Exhibit 4-2)”, SPIE, Jan. 27 to Feb. 1, 2018.  
 “Product Flyer MEMS mirror 513124-02H (Exhibit 4-3)”, Hamamatsu Photonics K.K., Jan. 30 to Feb. 1, 2018.  
 “Product Flyer MEMS mirror S13989-01H (Exhibit 4-4)”, Hamamatsu Photonics K.K., Jan. 30 to Feb. 1, 2018.  
 Sadaharo Takimoto, “Optical MEMS (MOEMS) Technology of Hamamatsu (Exhibit 5-1)”, Hamamatsu Photonics K.K., Apr. 25, 2018.  
 “Photograph (Exhibit 5-2)”, Hamamatsu Photonics K.K., Apr. 25, 2018.  
 “10th Anniversary MEMS Engineer Forum (MEF) 2018 SMART Society Driven by MEMS (Exhibit 5-3)”, MEMS 2018, Apr. 25 to 26, 2018.  
 Notice of Allowance dated Apr. 3, 2020 in U.S. Appl. No. 29/668,500.

\* cited by examiner

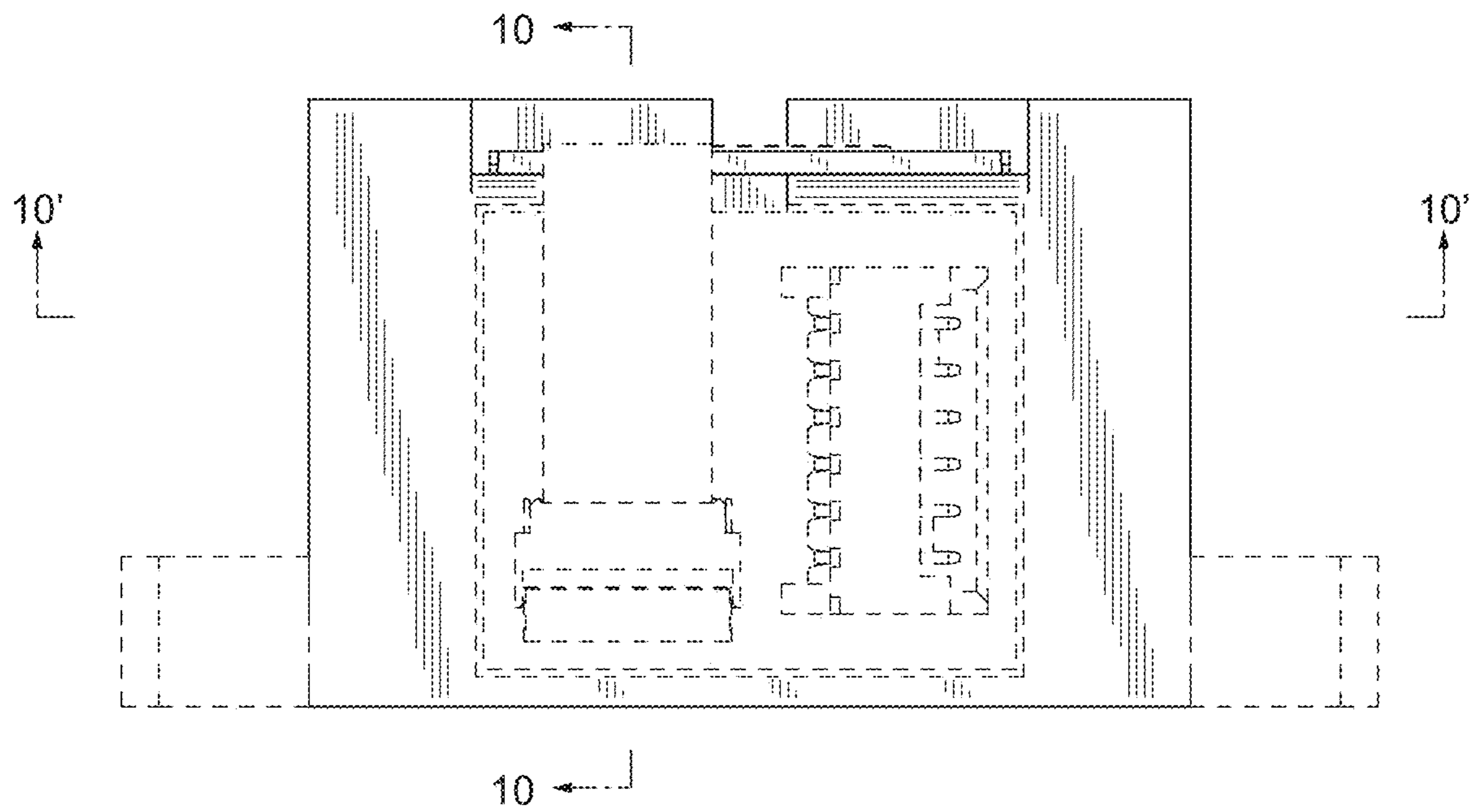


FIG. 1

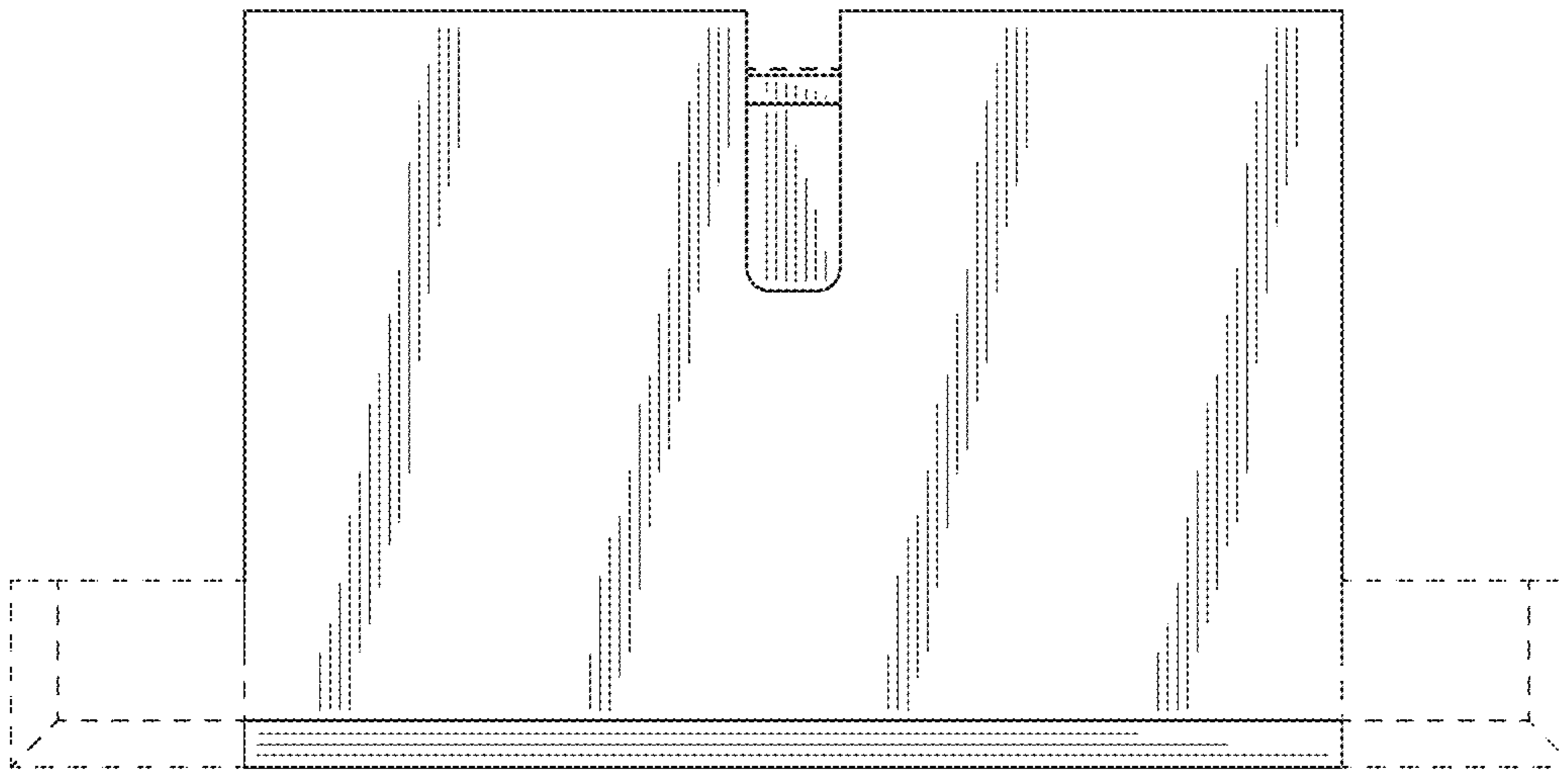


FIG. 2

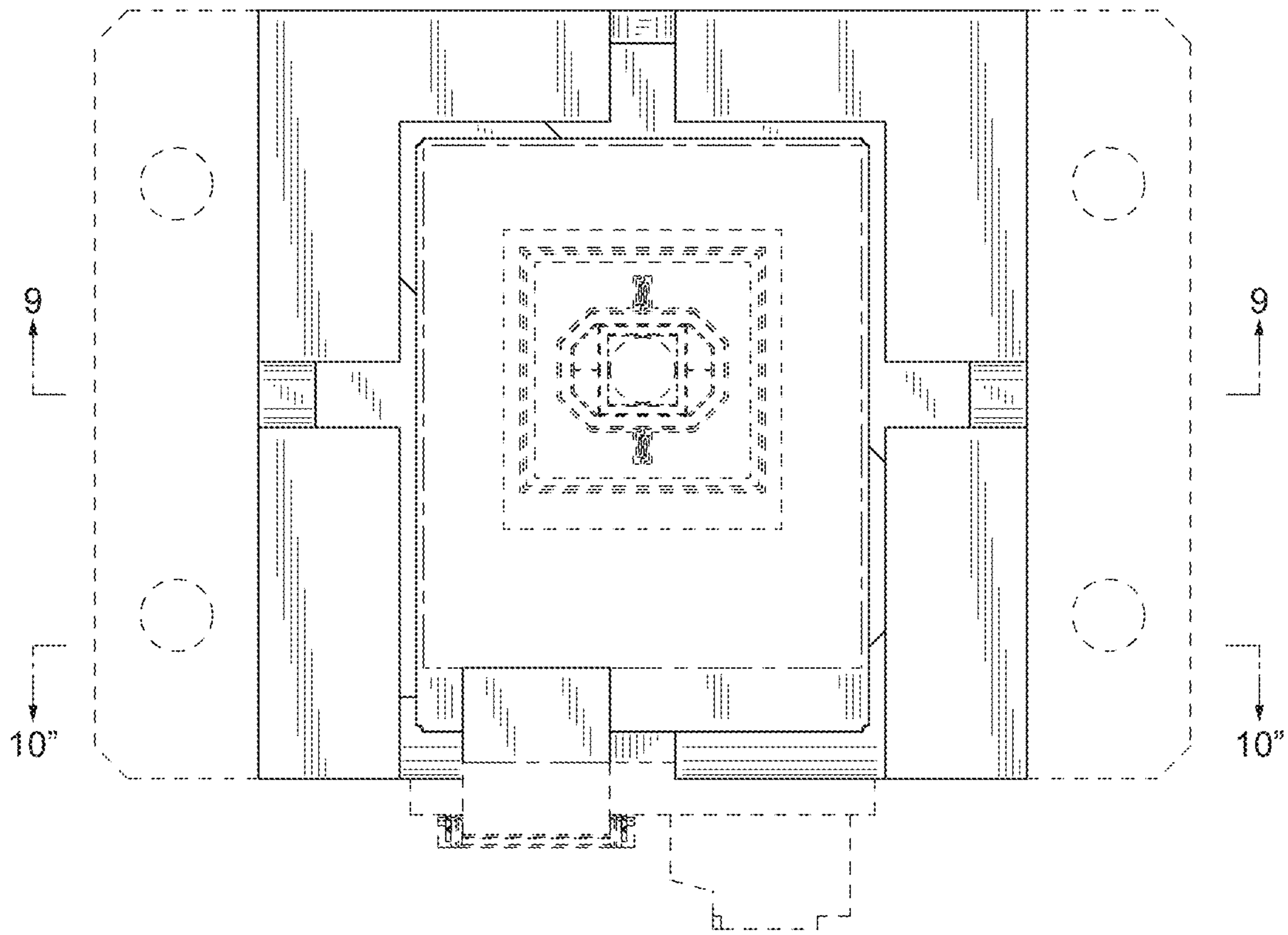


FIG. 3

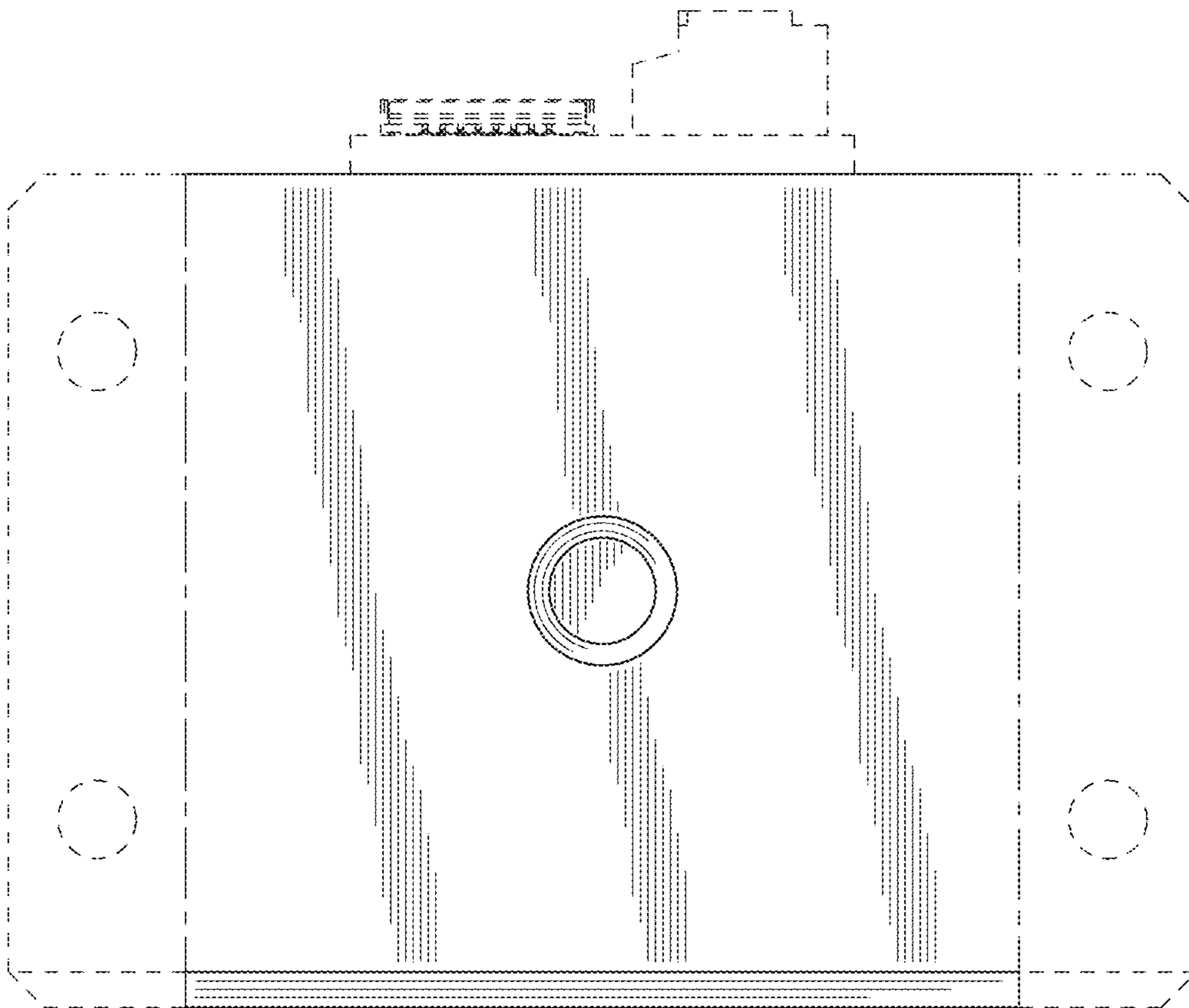


FIG. 4

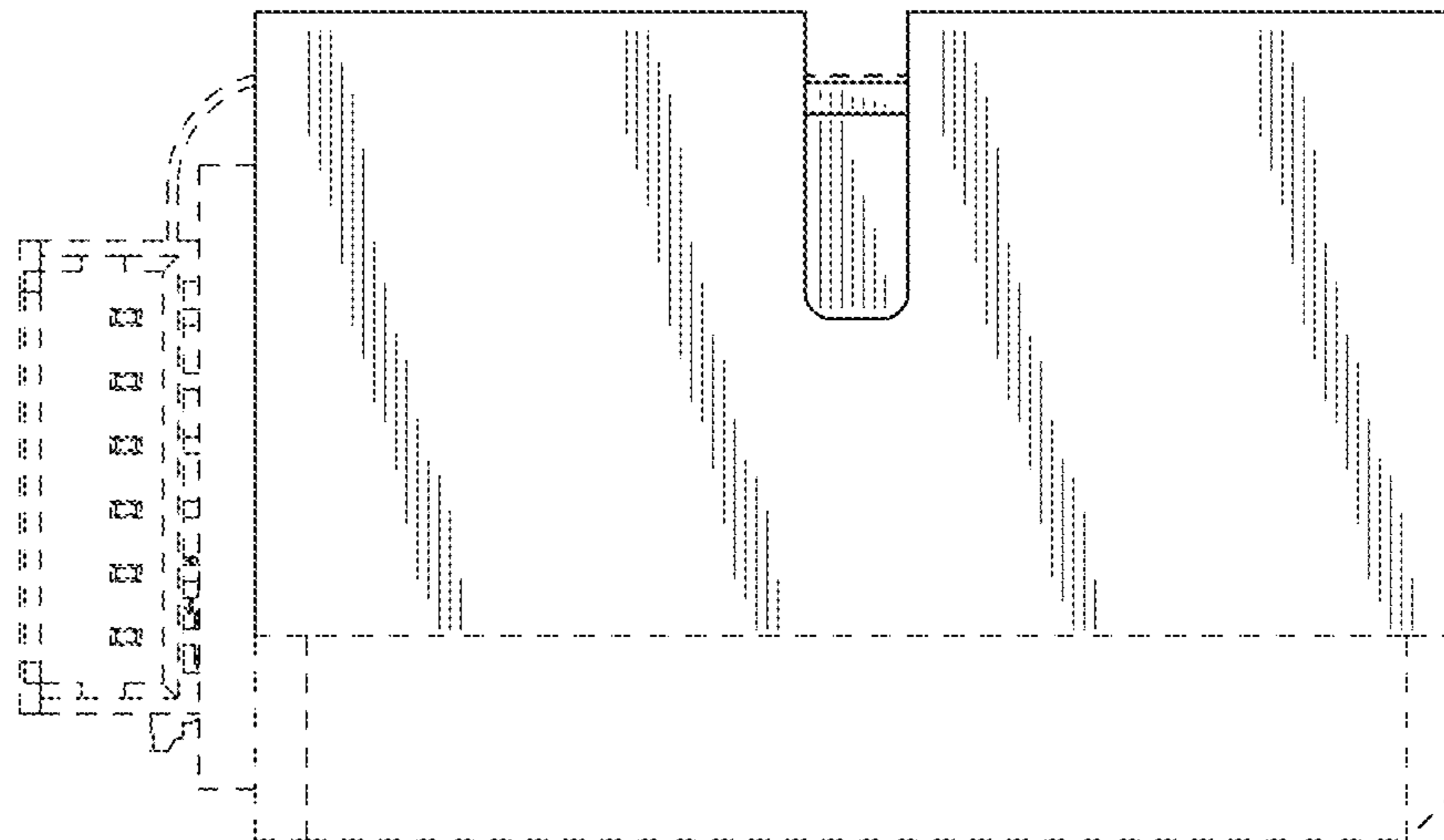


FIG. 5

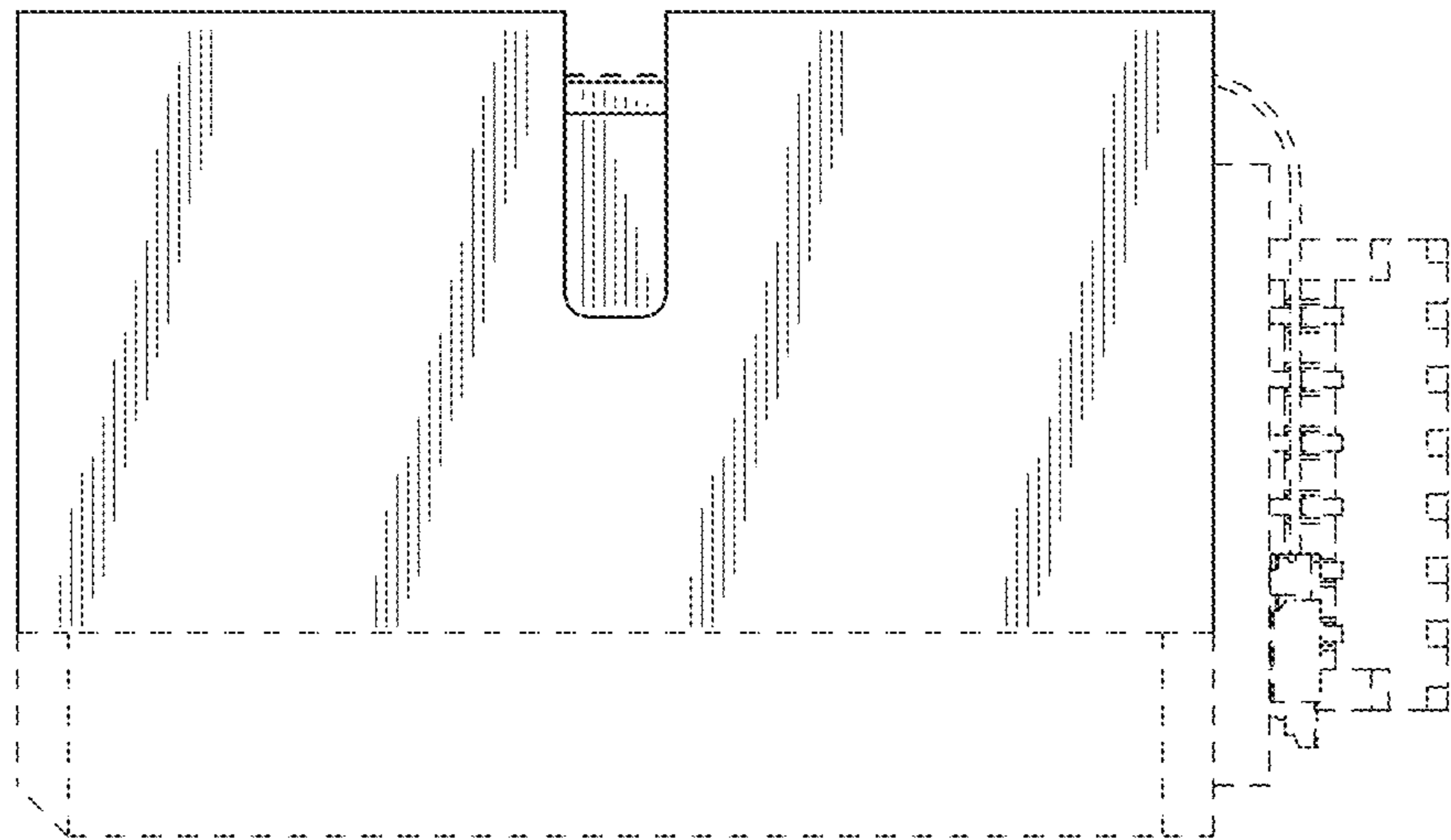


FIG. 6



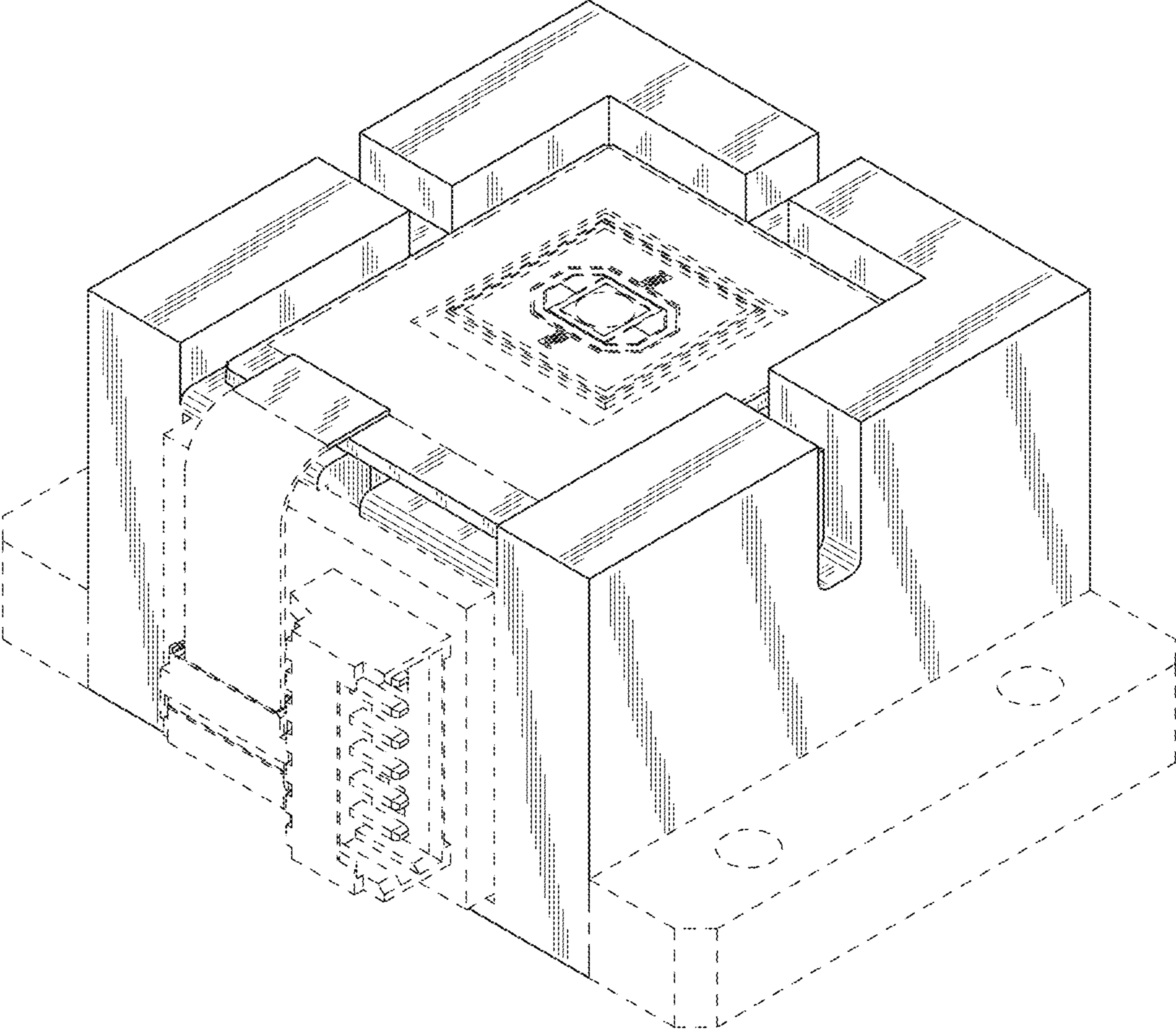


FIG. 7

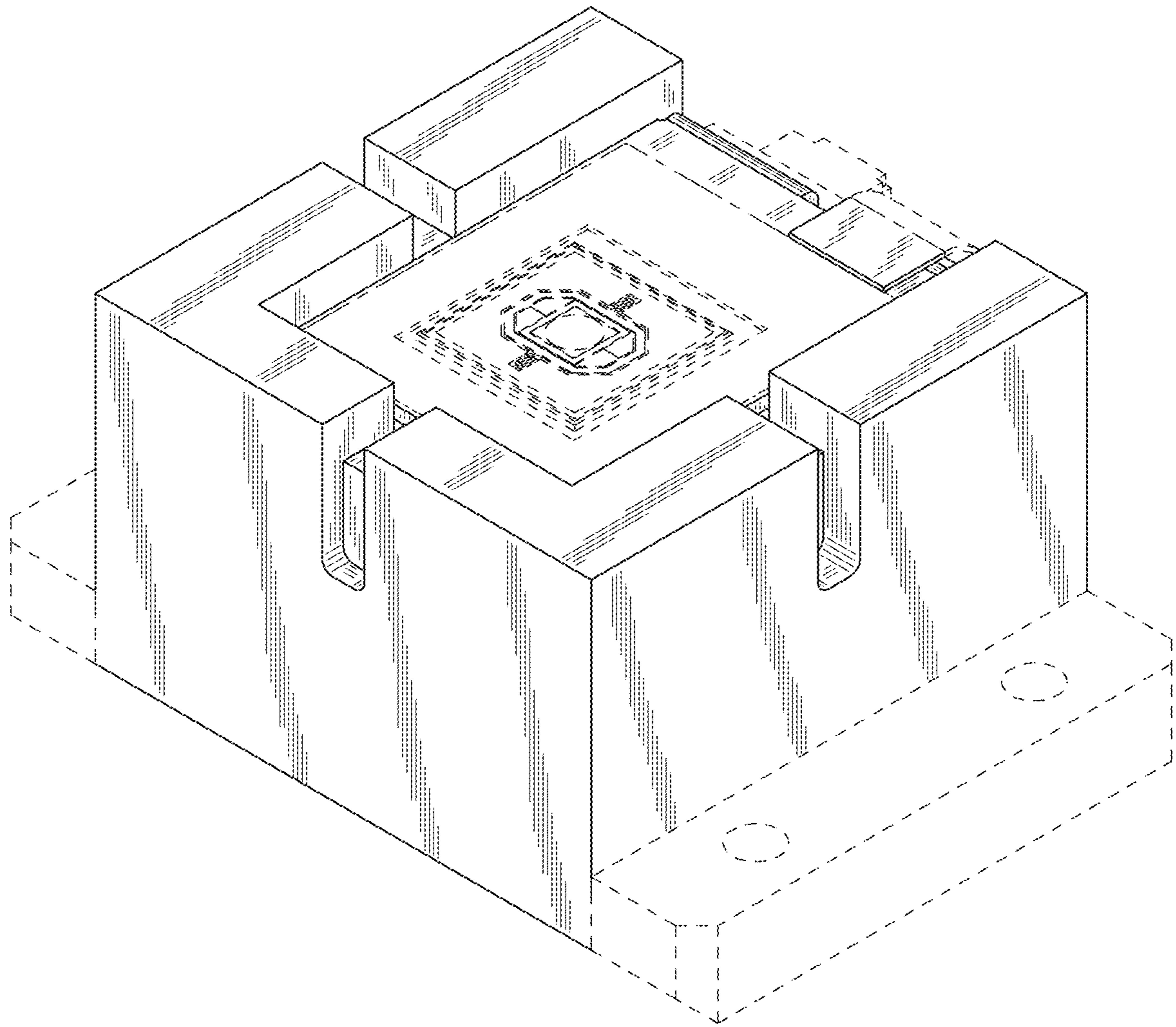


FIG. 8

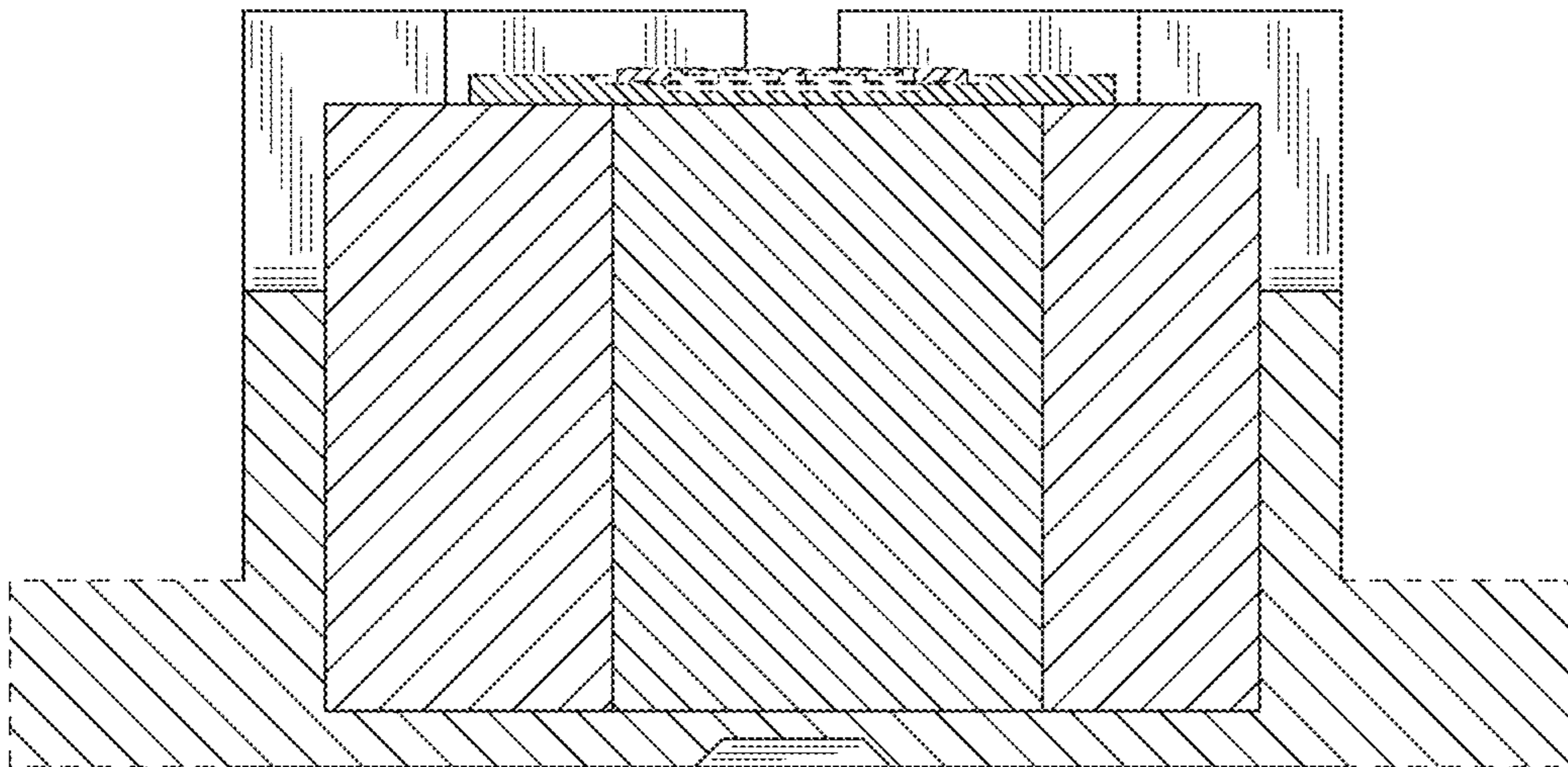


FIG. 9

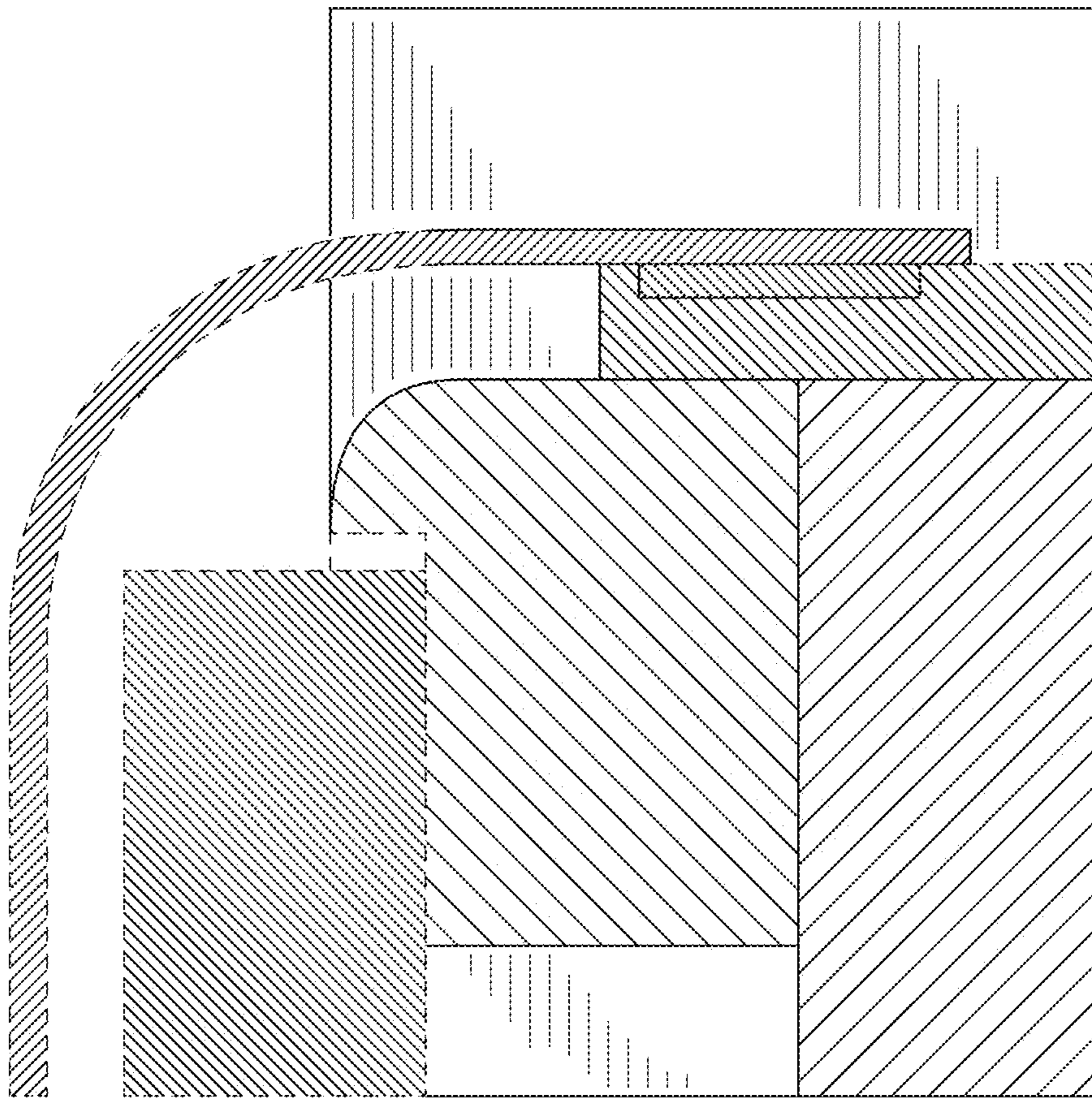


FIG. 10

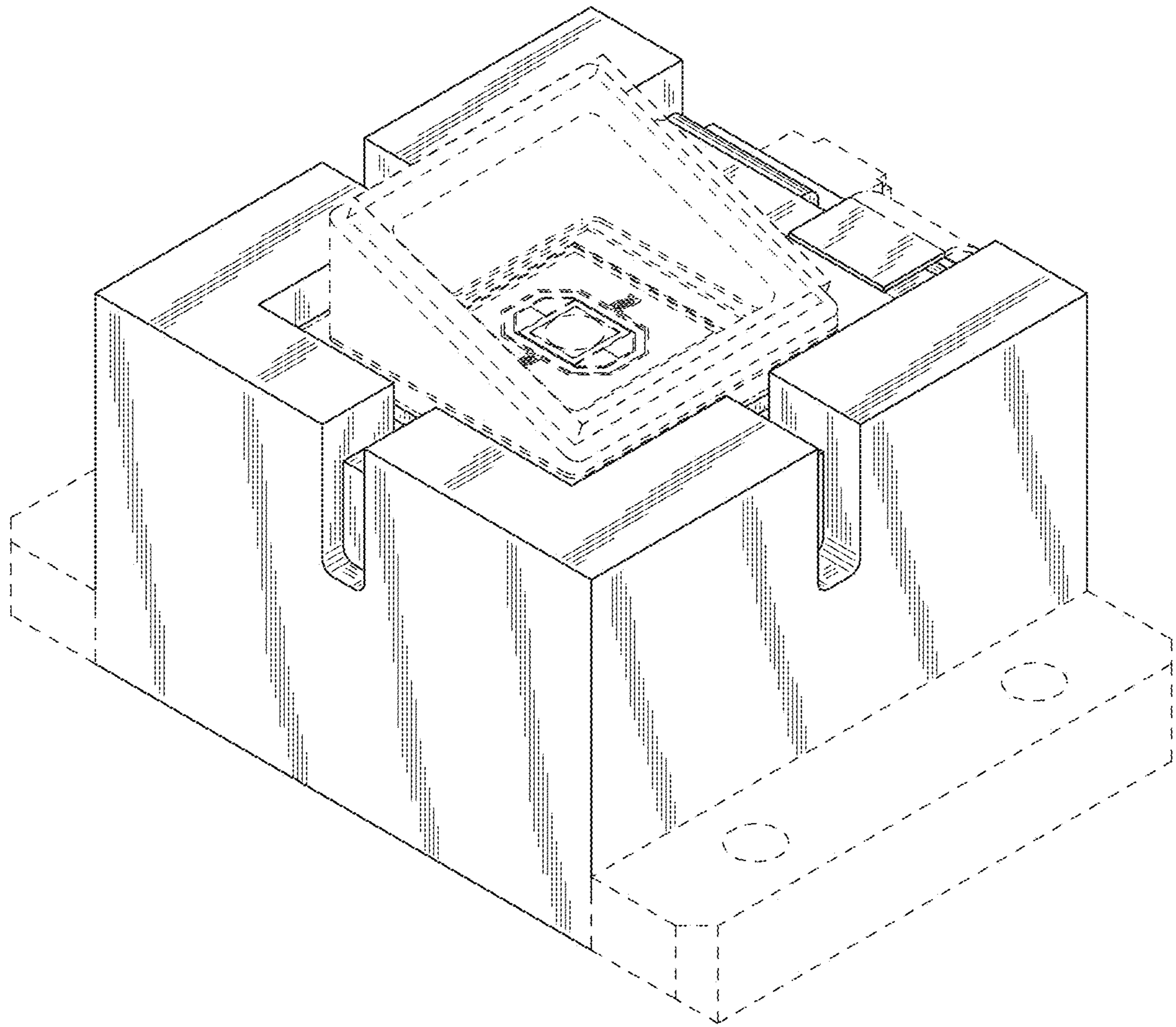


FIG. 11

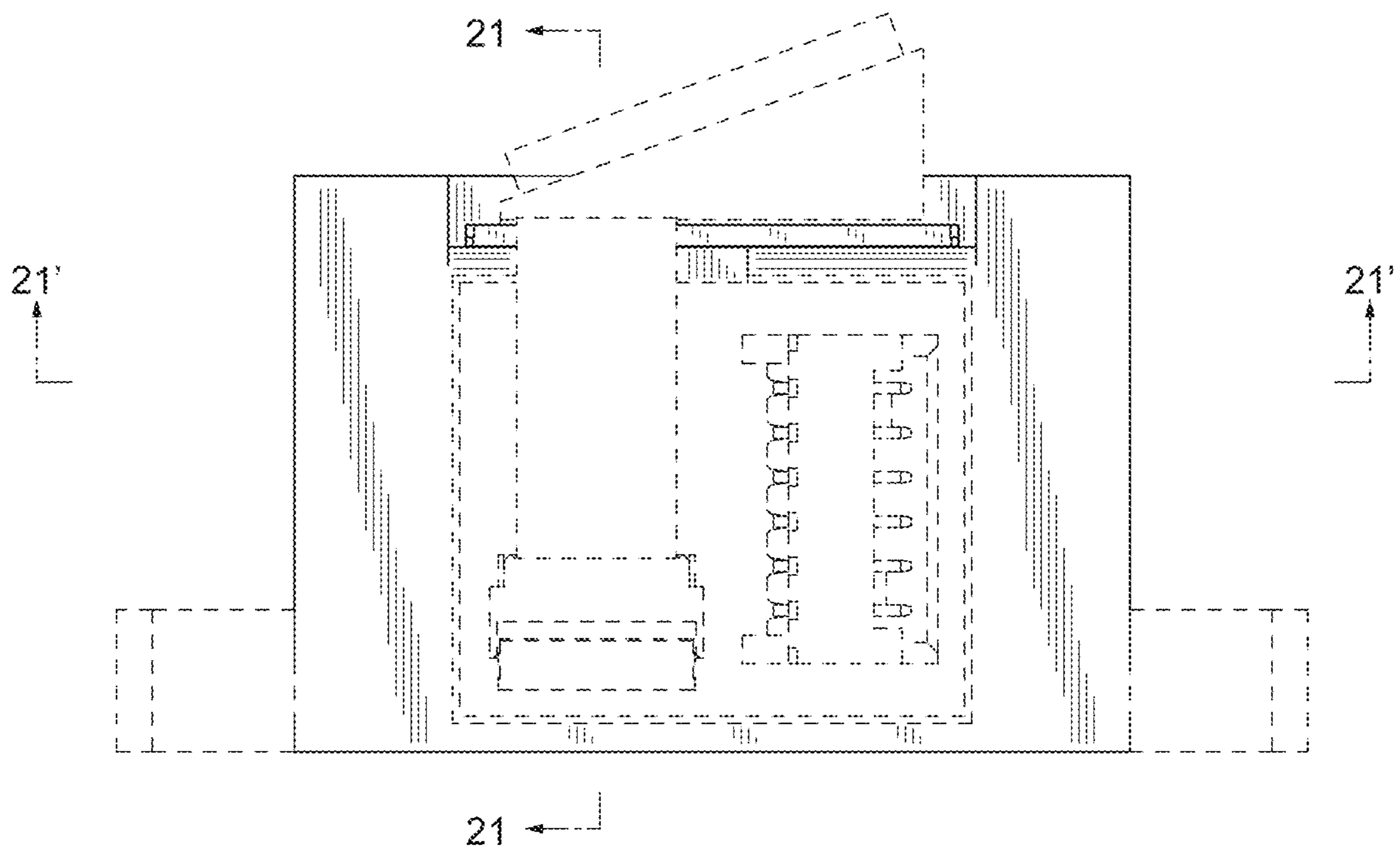


FIG. 12

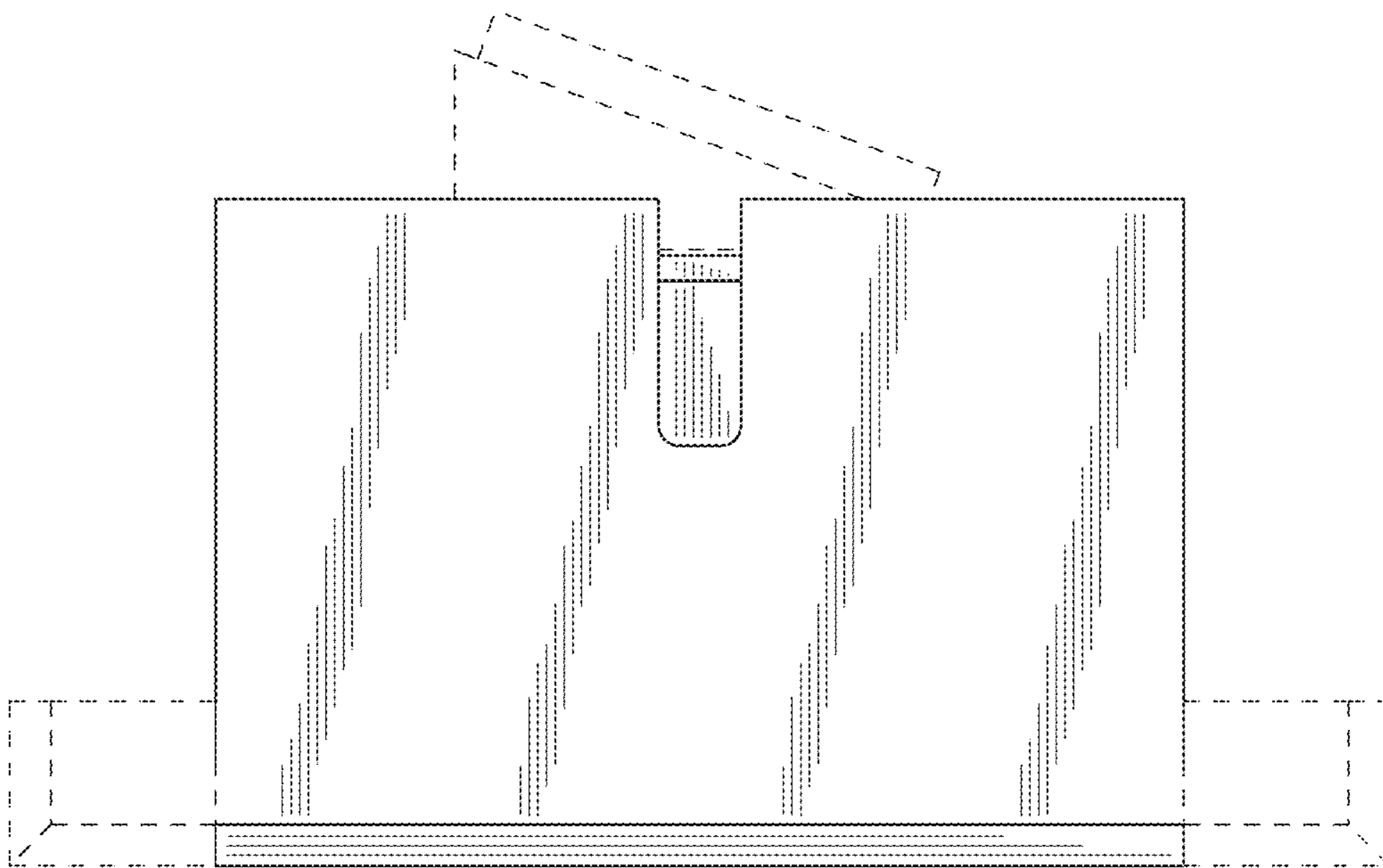


FIG. 13

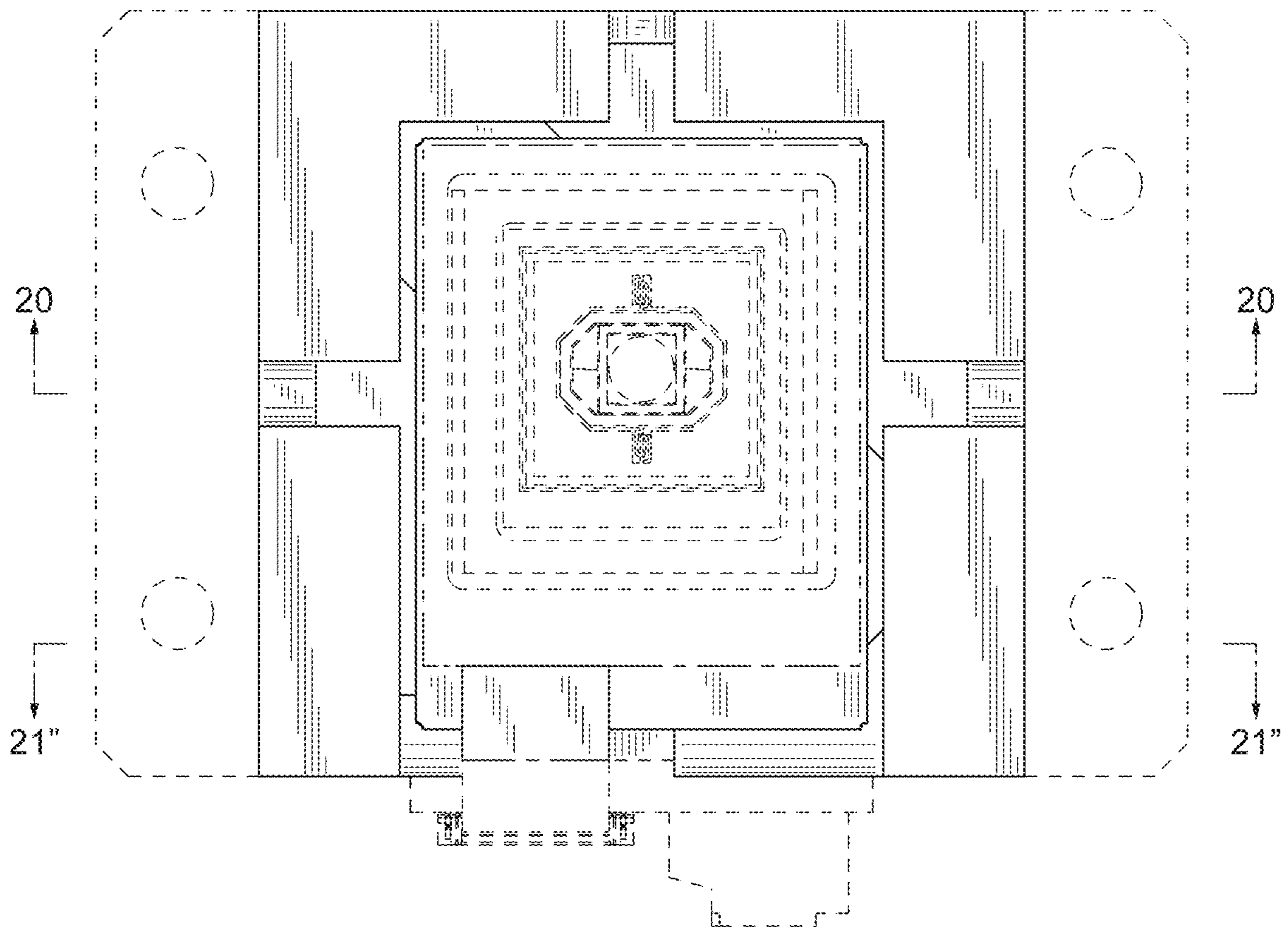


FIG. 14



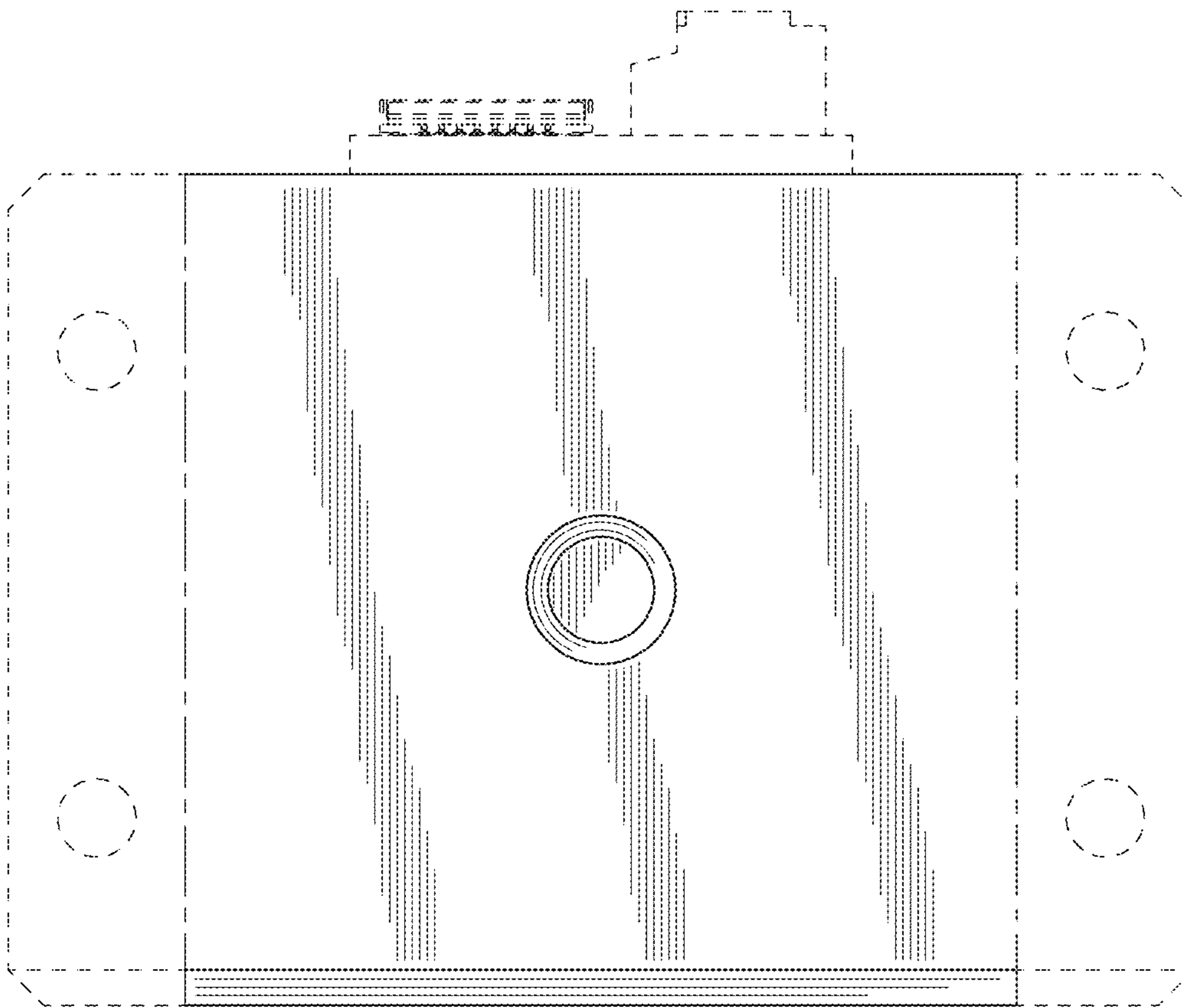


FIG. 15

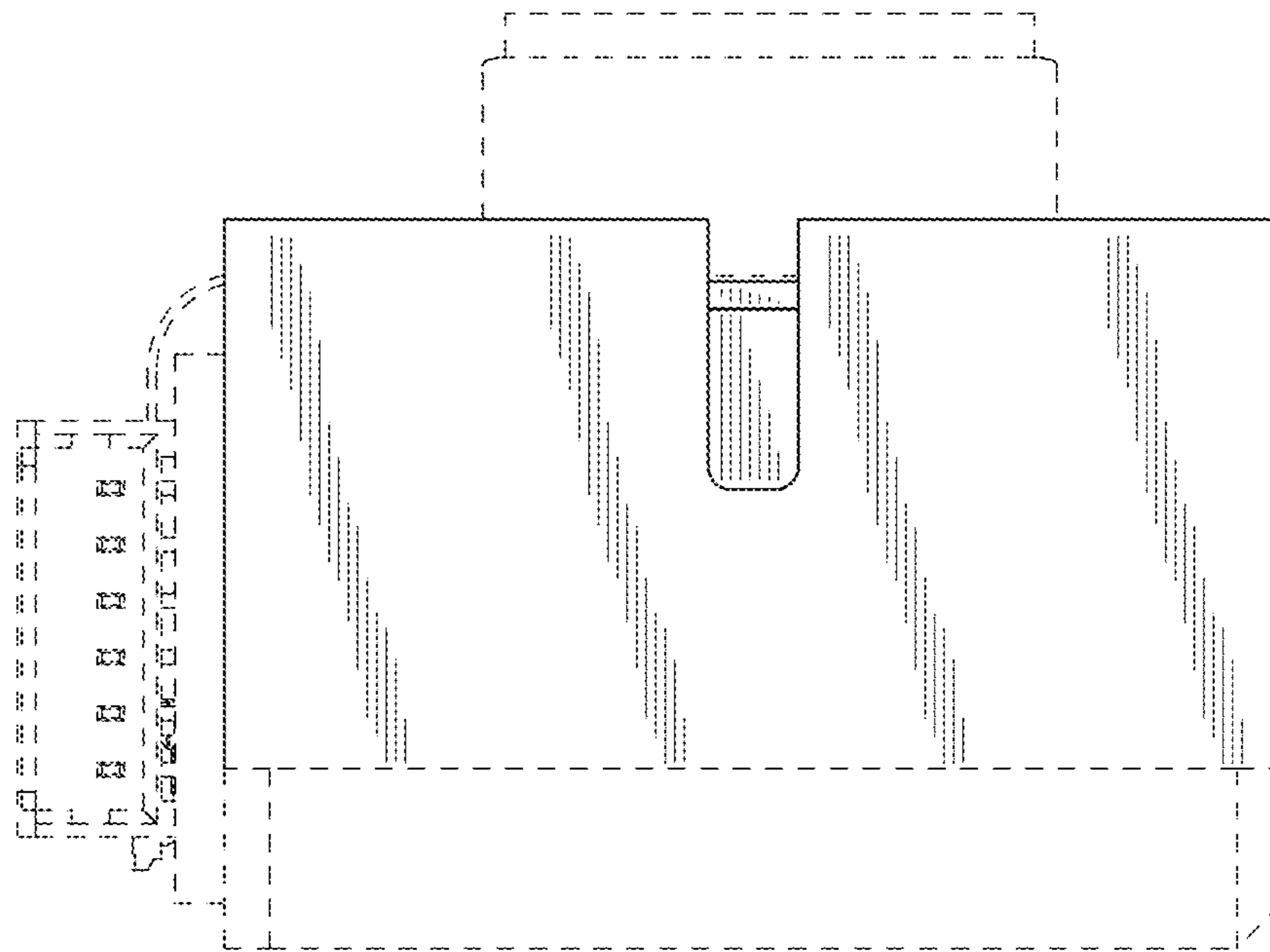


FIG. 16

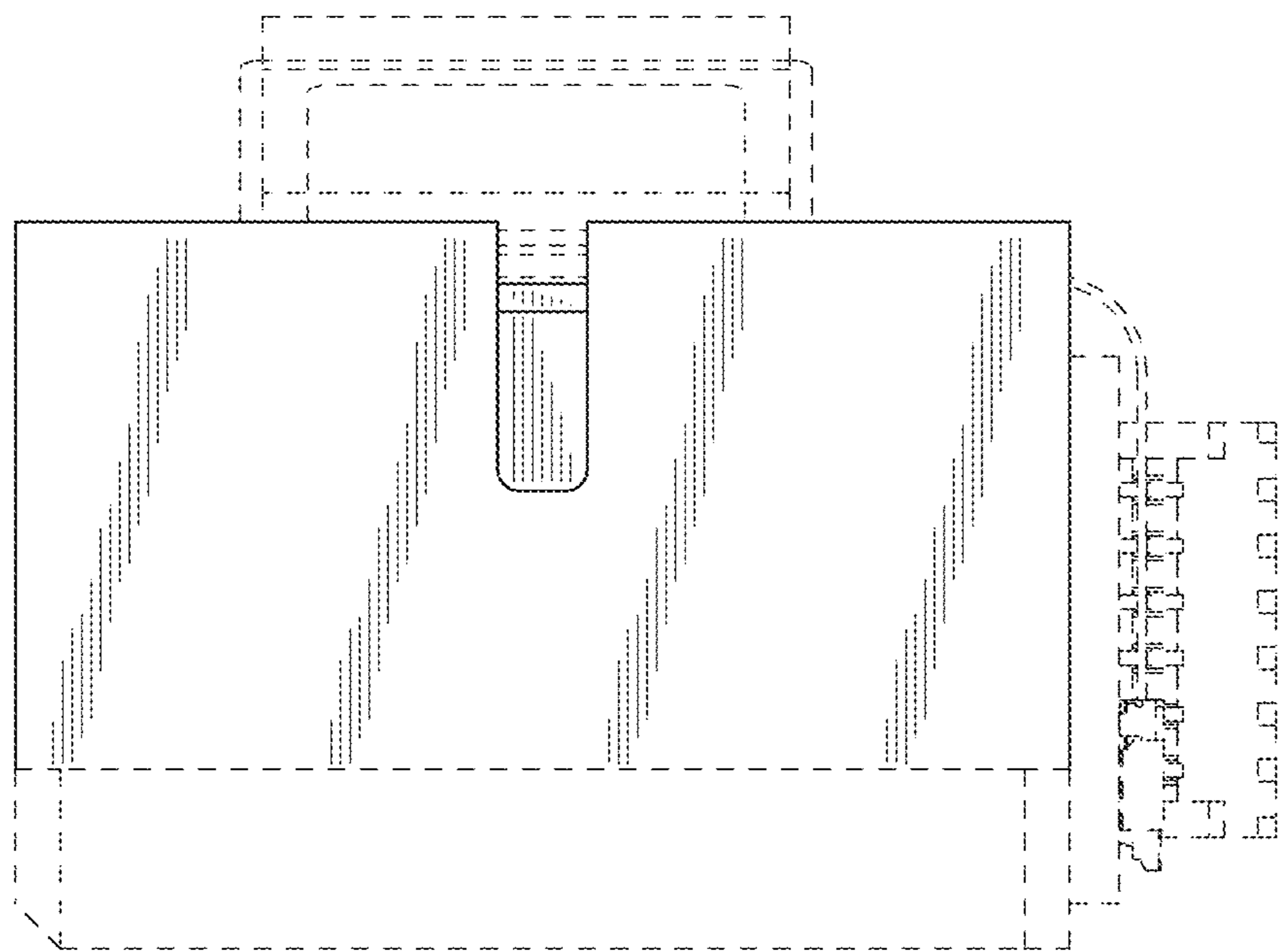


FIG. 17

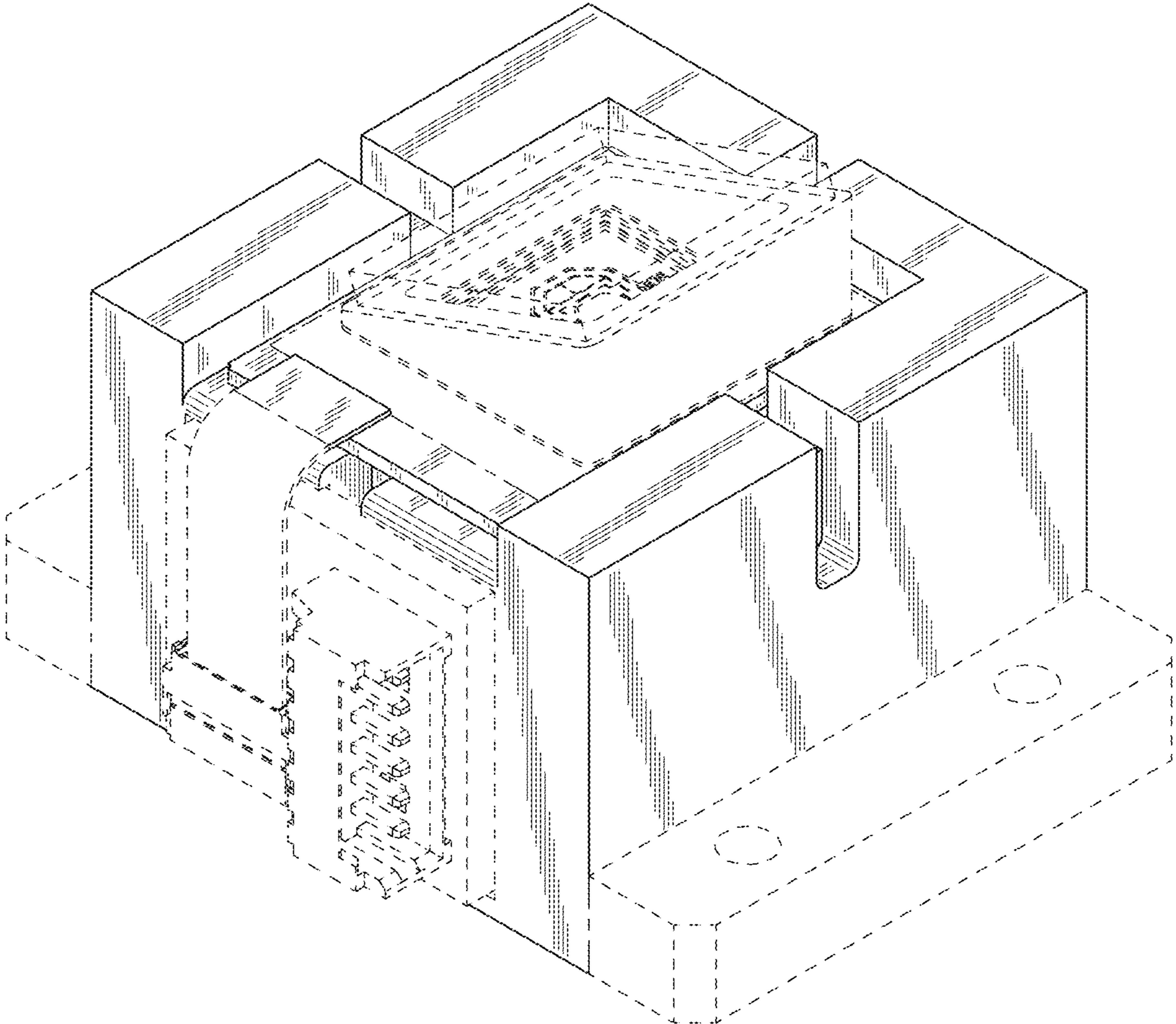


FIG. 18

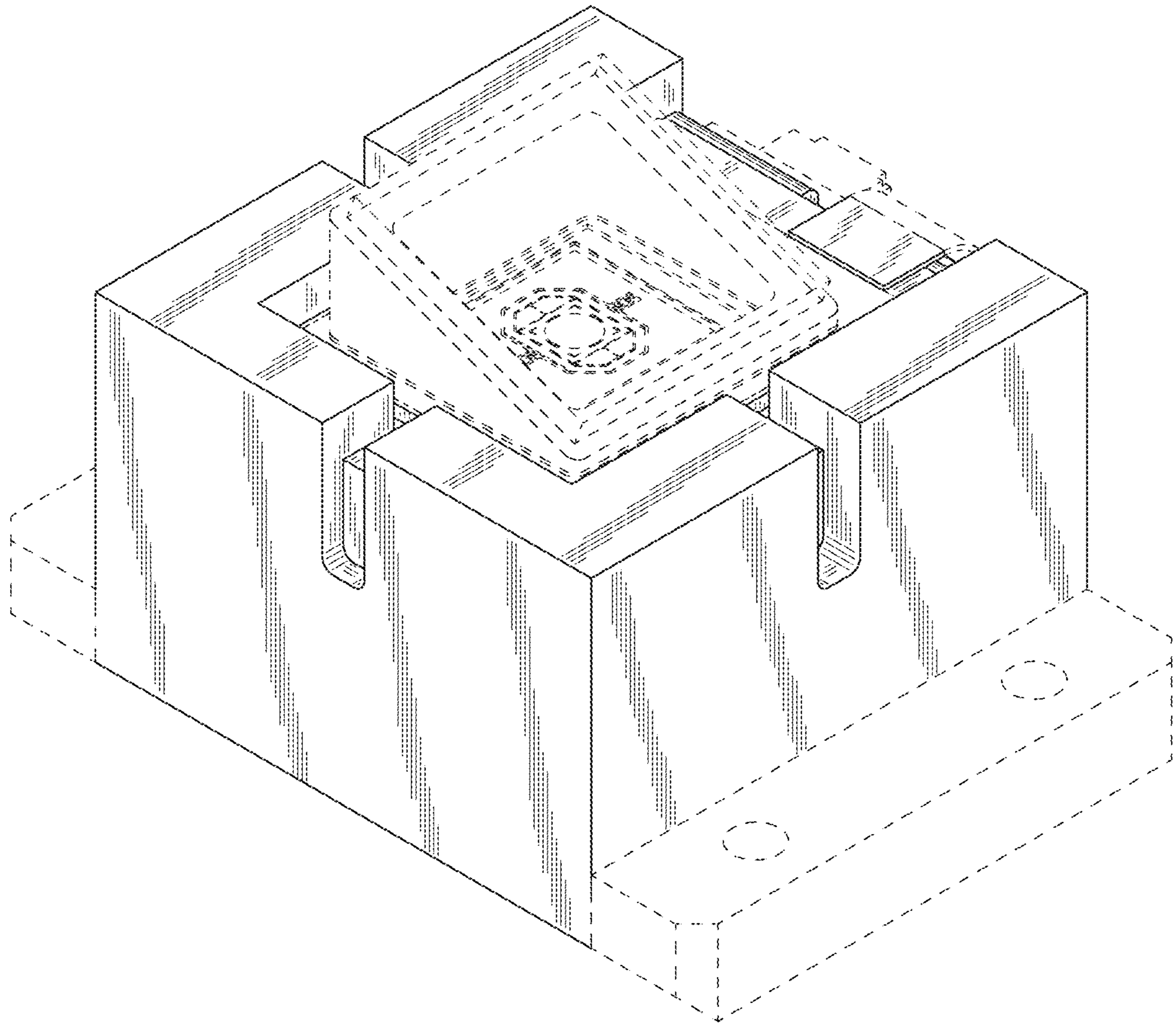


FIG. 19

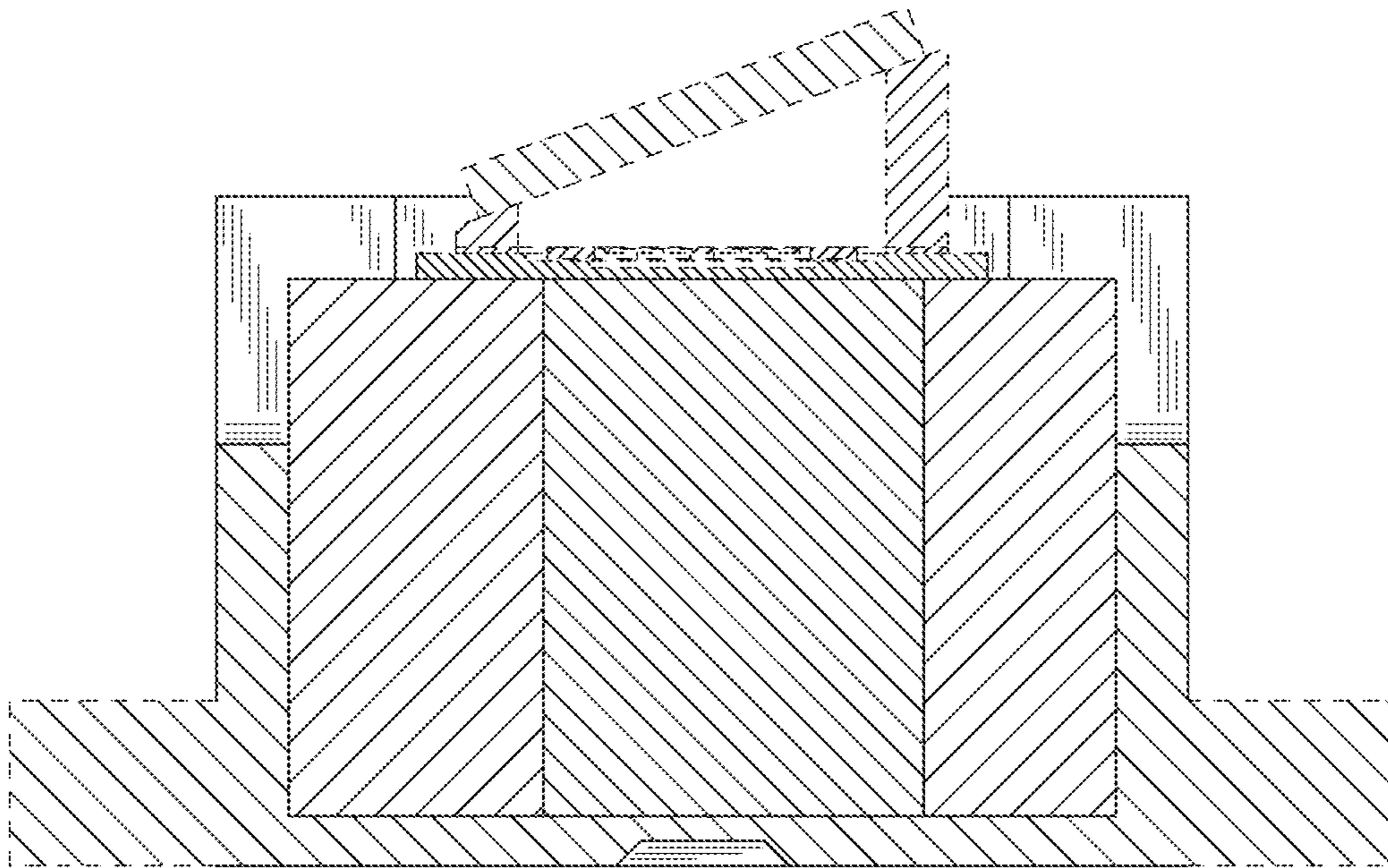


FIG. 20

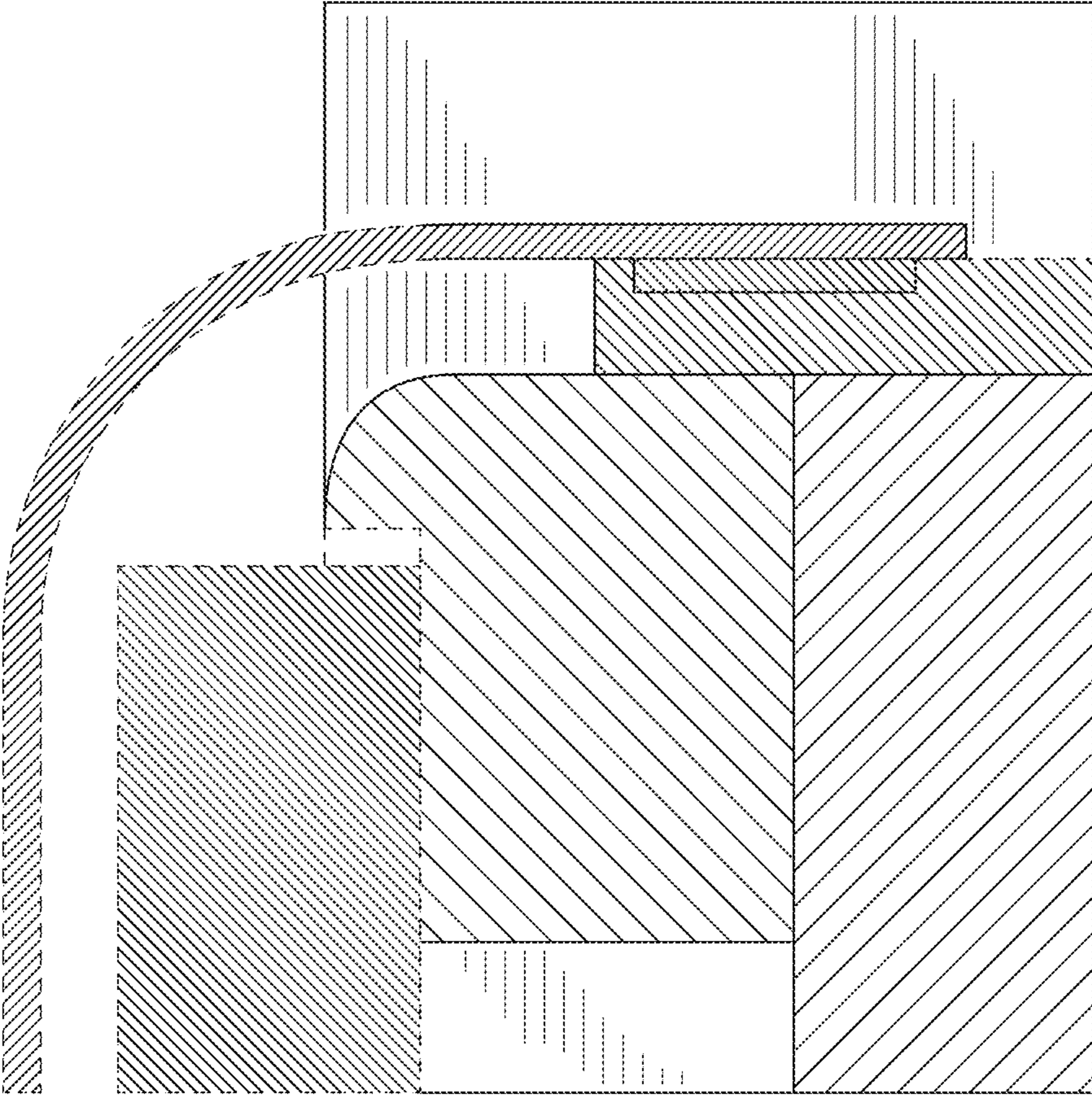


FIG. 21