



US00D903609S

(12) **United States Design Patent** (10) **Patent No.:** **US D903,609 S**  
**Chretien et al.** (45) **Date of Patent:** **\*\* Dec. 1, 2020**

(54) **REMOTE CONTROL**

(71) Applicant: **Distech Controls SAS**, Brignais (FR)

(72) Inventors: **Arthur Chretien**, Lyons (FR); **Jeremy Delhomme**, Lyons (FR); **Sebastien Doublier**, Villeurbanne (FR)

(73) Assignee: **DISTECH CONTROLS SAS**, Brignais (FR)

(\*\*) Term: **15 Years**

(21) Appl. No.: **29/692,191**

(22) Filed: **May 23, 2019**

(30) **Foreign Application Priority Data**

Nov. 28, 2018 (CA) ..... 184851

(51) **LOC (12) Cl.** ..... **13-03**

(52) **U.S. Cl.**  
USPC ..... **D13/162; D10/50**

(58) **Field of Classification Search**  
USPC ..... D13/162, 168; D10/49, 50, 60; D14/218  
CPC ..... F24F 11/30; F24F 11/50; G05B 19/0426;  
G05B 19/048; G05B 19/409; G05B 15/02; G06F 1/1601; G06F 3/041; G06F 3/044; G06F 3/0482; G06F 3/0488; G06F 3/0489; G05D 23/1902; G05D 23/1905; G05D 23/1923; G05D 23/1931; G05D 23/1934; H01H 9/02; H05B 37/02  
See application file for complete search history.

(56) **References Cited**

**U.S. PATENT DOCUMENTS**

D610,475 S \* 2/2010 Beers ..... D10/50  
D733,589 S \* 7/2015 Cusell ..... D10/50

D766,193 S \* 9/2016 Desagre ..... D13/168  
D771,628 S \* 11/2016 Bae ..... D14/374  
D802,590 S \* 11/2017 Bae ..... D14/374  
D802,591 S \* 11/2017 Bae ..... D14/374  
D814,321 S \* 4/2018 Abdala ..... D10/50  
D820,224 S \* 6/2018 Mori ..... D13/168  
D823,265 S \* 7/2018 Meda ..... D13/168  
D825,496 S \* 8/2018 Yagisawa ..... D13/168  
D825,521 S \* 8/2018 Yagisawa ..... D14/168  
D836,566 S \* 12/2018 Yagisawa ..... D13/168  
D843,246 S \* 3/2019 Sinha ..... D10/60  
D843,247 S \* 3/2019 Ribbich ..... D10/60  
D844,570 S \* 4/2019 Kornacki ..... D13/162  
D862,400 S \* 10/2019 Chretien ..... D13/162  
2016/0295176 A1 \* 10/2016 Jeong ..... H04N 9/30  
2016/0327299 A1 \* 11/2016 Ribbich ..... F24F 11/62  
2018/0203475 A1 \* 7/2018 Van Derven ..... G05D 23/1919

\* cited by examiner

*Primary Examiner* — Selina Sikder

(74) *Attorney, Agent, or Firm* — RatnerPrestia

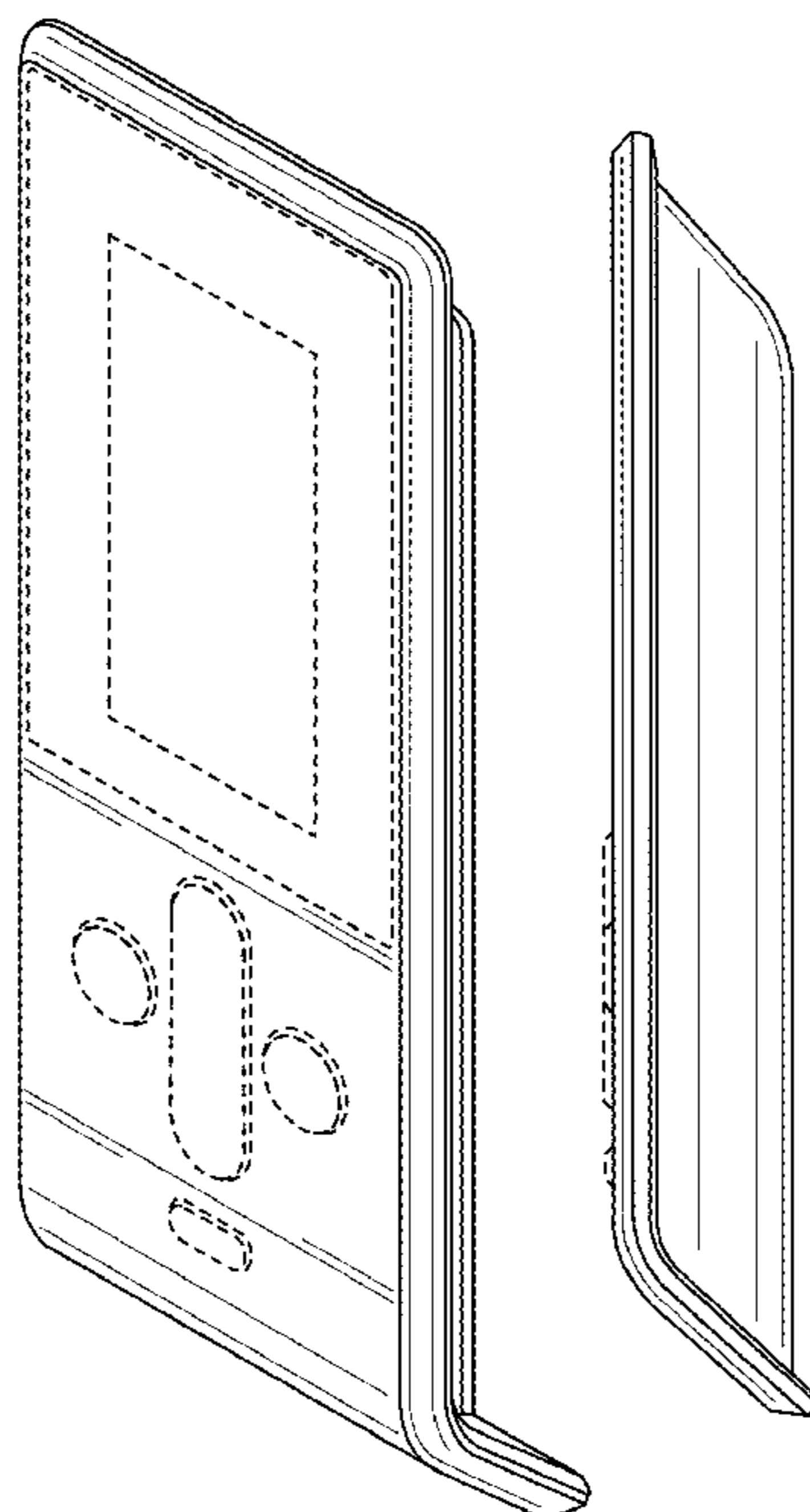
(57) **CLAIM**

The ornamental design for a remote control, as shown and described.

**DESCRIPTION**

FIG. 1 is a front perspective view of a remote control;  
FIG. 2 is a front elevation view thereof;  
FIG. 3 is a right side elevation view thereof;  
FIG. 4 is a rear elevation view thereof;  
FIG. 5 is a left side elevation view thereof;  
FIG. 6 is a top plan view thereof; and,  
FIG. 7 is a bottom plan view thereof.  
The broken line showing of the remote control is for the purpose of illustrating portions of the remote control and forms no part of the claimed design.

**1 Claim, 7 Drawing Sheets**



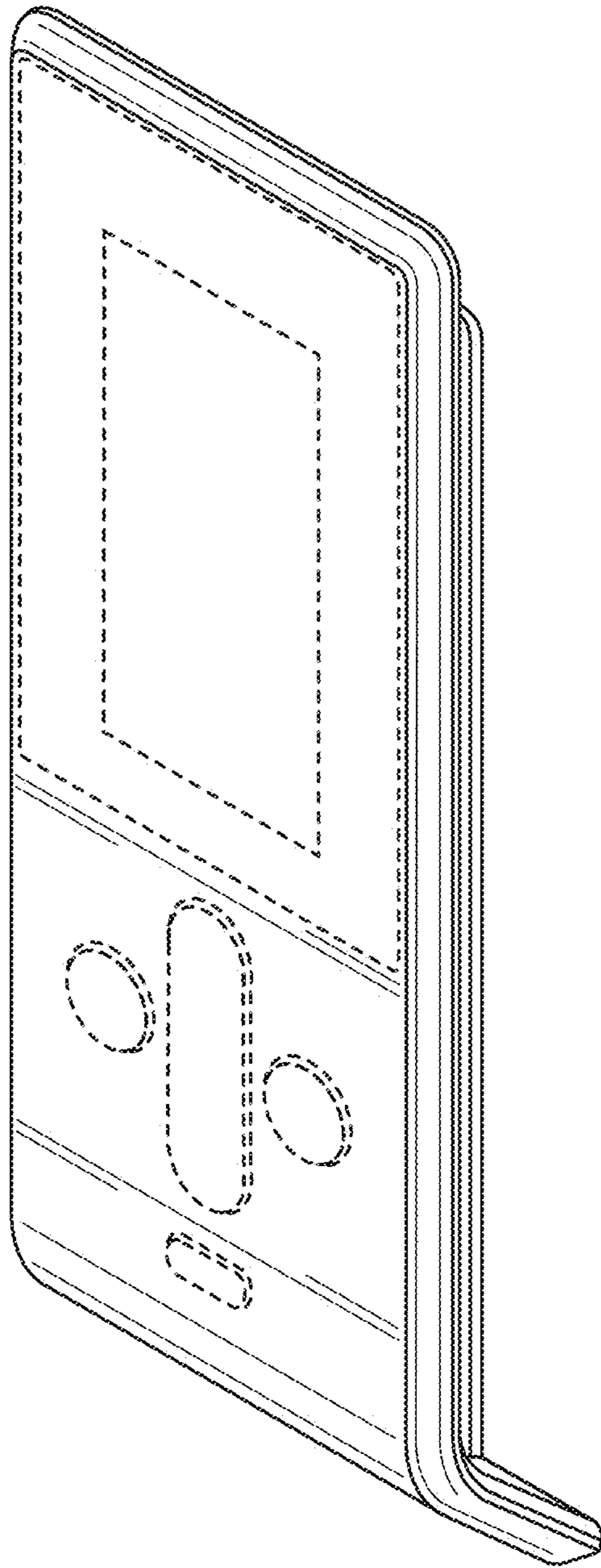


FIG. 1

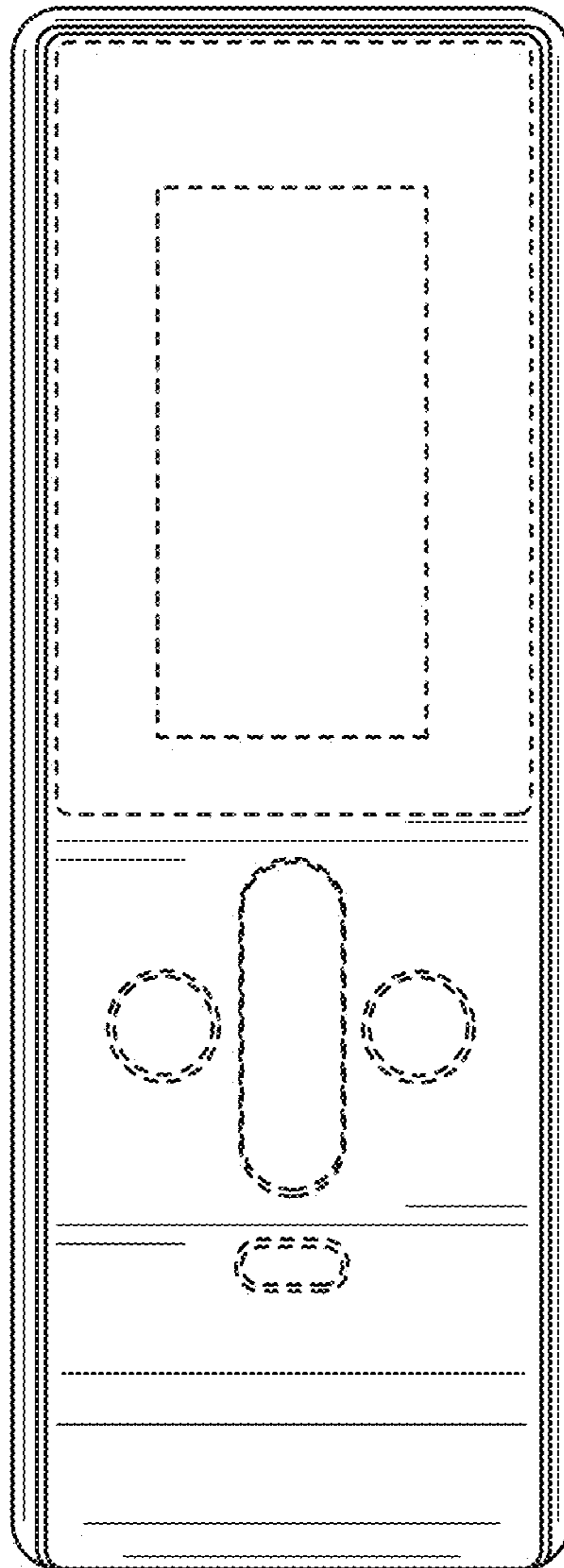


FIG. 2

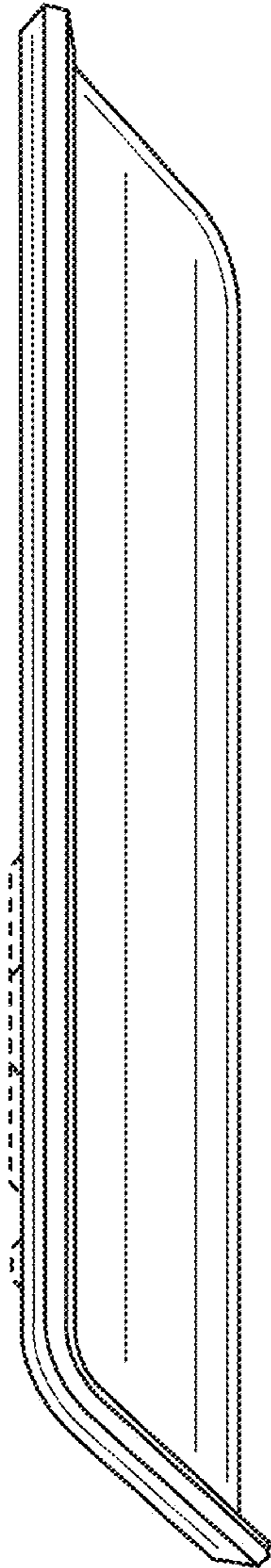


FIG. 3

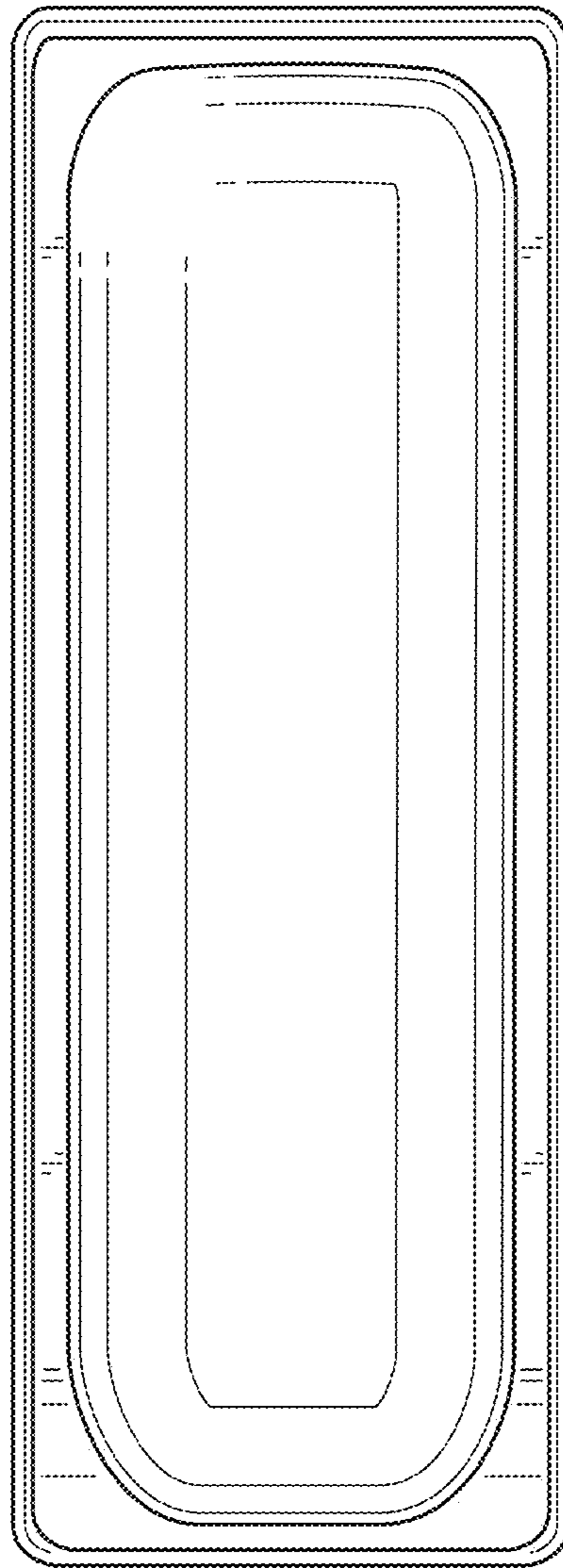


FIG. 4

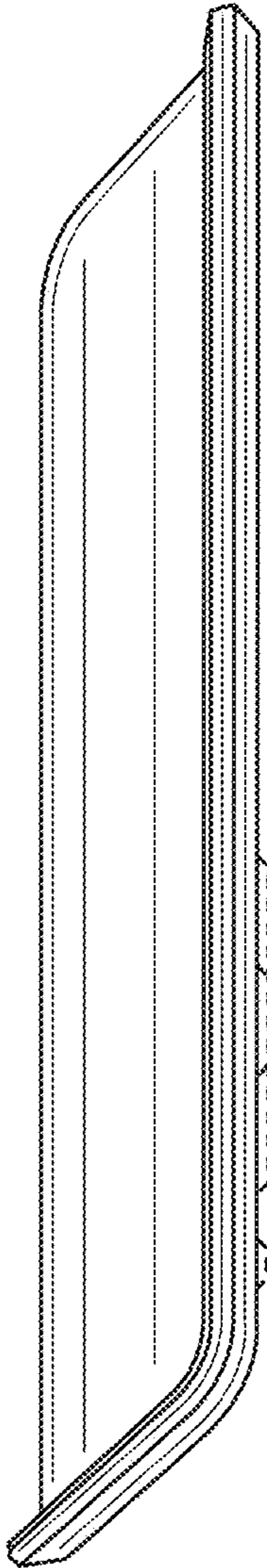


FIG. 5

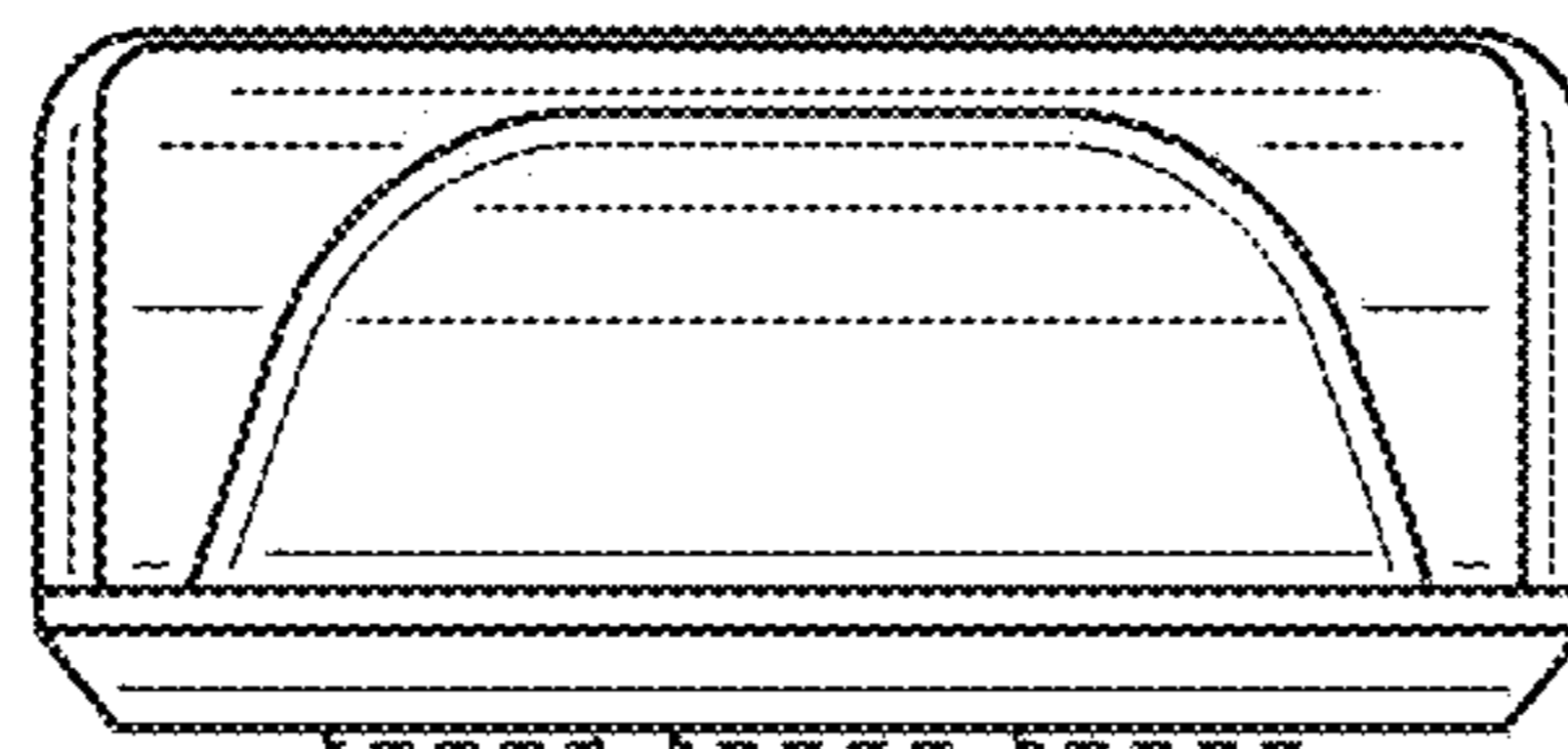


FIG. 6

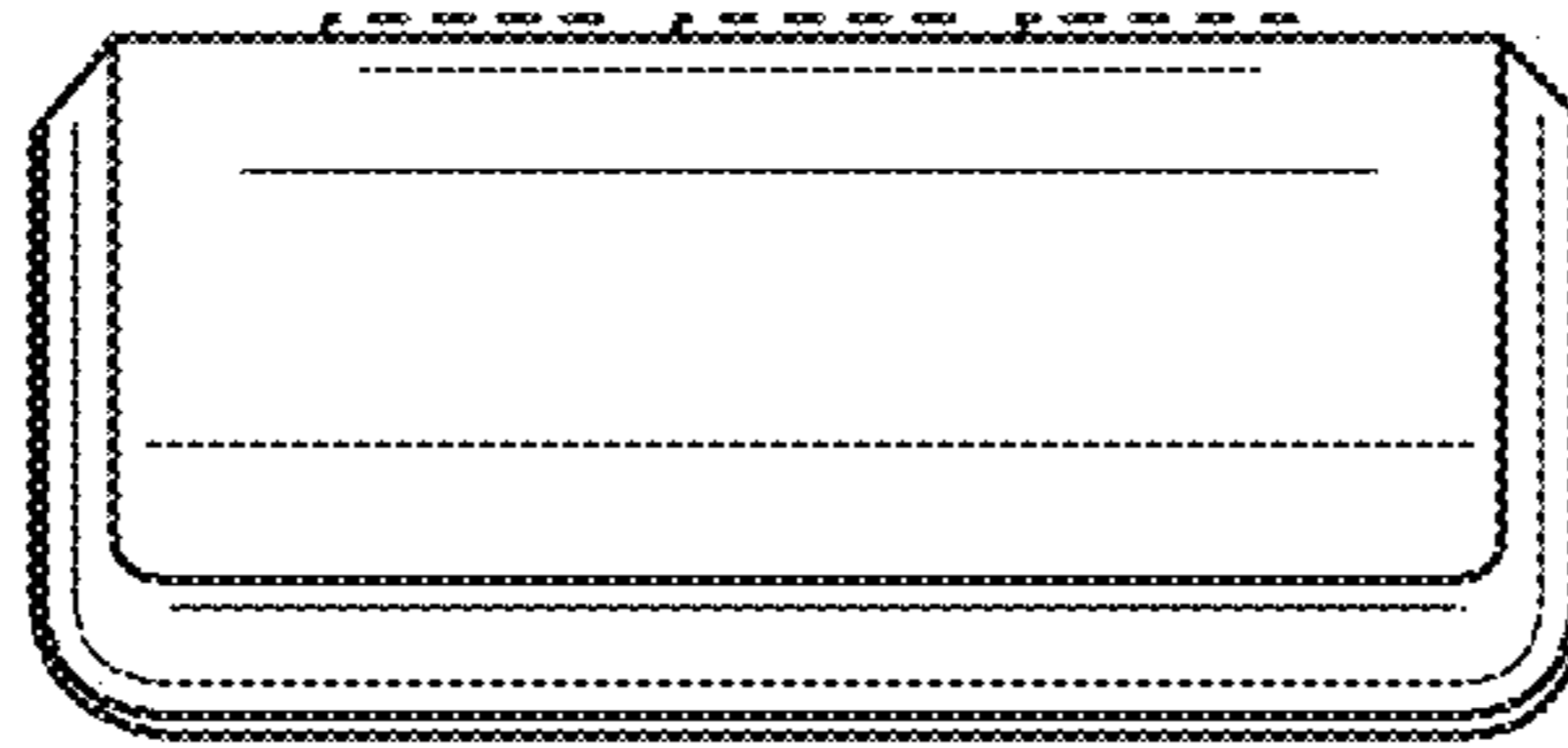


FIG. 7