



US00D903607S

(12) **United States Design Patent** (10) **Patent No.:** **US D903,607 S**  
**Pakimo et al.** (45) **Date of Patent:** **\*\* Dec. 1, 2020**

(54) **ROTATABLE HOLDER FOR ELECTRICAL DISCONNECT**

FOREIGN PATENT DOCUMENTS

CN 101728694 B 11/2011  
GB 2266815 B 4/1996

(71) Applicant: **Honeywell International Inc.**, Morris Plains, NJ (US)

OTHER PUBLICATIONS

(72) Inventors: **Dawa Pakimo**, Bangalore (IN); **Dinesh Kumar KN**, Bangalore (IN); **Chandrashekar Thayumanavan**, Bangalore (IN); **Jaison Cherian**, Bangalore (IN); **Shripurnabodh Deshpande**, Bangalore (IN); **Karma Bhutia**, Bengaluru (IN); **Hemanth Vijaykumar**, Bangalore (IN); **Vishwanath Balakrishna**, Bengaluru (IN)

“S800 I/O Modules and Termination Units”, ABB, 2010, 590 pages (see esp. pp. 24, 490, 526, 532, 538, and 564).

(Continued)

*Primary Examiner* — Karen E Kearney  
*Assistant Examiner* — Michael Chong

(57) **CLAIM**

The ornamental design for a rotatable holder for an electrical disconnect, as shown and described.

**DESCRIPTION**

(73) Assignee: **Honeywell International Inc.**, Morris Plains, NJ (US)

FIG. 1 is a front perspective view of a rotatable holder for an electrical disconnect;

(\*\*) Term: **15 Years**

FIG. 2 is a rear perspective view of the rotatable holder of FIG. 1;

(21) Appl. No.: **29/678,922**

FIG. 3 is a front view of the rotatable holder of FIG. 1;

(22) Filed: **Jan. 31, 2019**

FIG. 4 is a left side view of the rotatable holder of FIG. 1;

(51) **LOC (12) Cl.** ..... **13-03**

FIG. 5 is a right side view of the rotatable holder of FIG. 1;

(52) **U.S. Cl.**

FIG. 6 is a rear view of the rotatable holder of FIG. 1;

USPC ..... **D13/160**

FIG. 7 is a top view of the rotatable holder of FIG. 1;

(58) **Field of Classification Search**

USPC ..... D13/123, 158, 159, 160, 161, 172, 173, D13/174, 175, 178

FIG. 8 is a bottom view of the rotatable holder of FIG. 1; and,

(Continued)

FIG. 9 is a perspective view of a field termination assembly that includes the rotatable holder of FIG. 1.

(56) **References Cited**

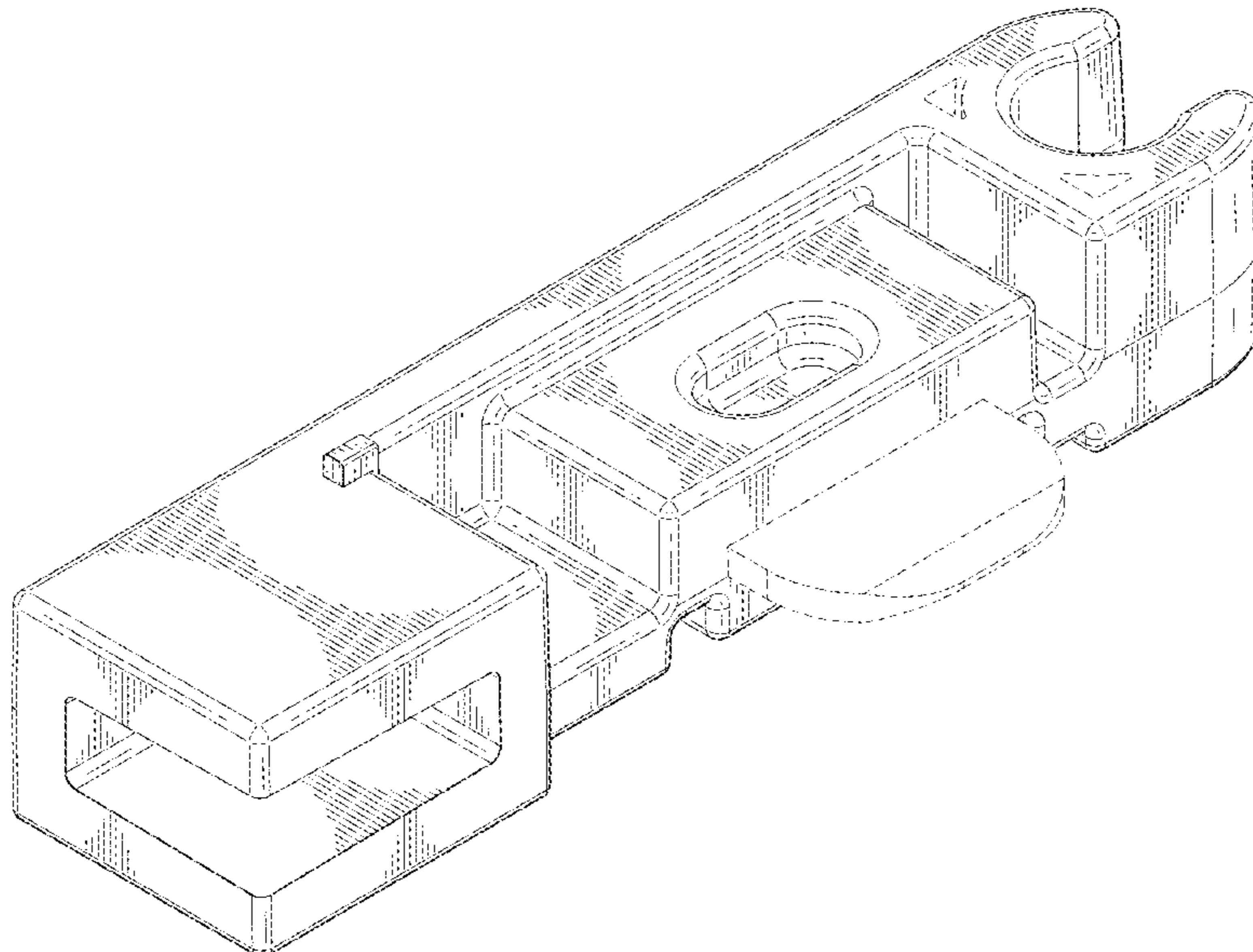
U.S. PATENT DOCUMENTS

D317,439 S \* 6/1991 Kao ..... D13/160  
D407,693 S \* 4/1999 Rowton ..... D13/161

The broken lines depicting portions of the rotatable holder for an electrical disconnect form no part of the claimed design. The broken lines immediately adjacent to the shaded areas represent the bounds of the claimed design and form no part thereof. The broken lines depicting a field termination assembly in FIG. 9 are included for the purpose of illustrating environmental structure and form no part of the claimed design.

(Continued)

**1 Claim, 7 Drawing Sheets**



(58) **Field of Classification Search**

CPC .... H05K 5/0204; H05K 5/0221; H05K 5/023;  
H05K 7/023; H05K 7/1465; H05K  
7/1467; H05K 7/1474; H01H 85/0208  
See application file for complete search history.

(56) **References Cited**

U.S. PATENT DOCUMENTS

8,597,049 B2 \* 12/2013 von zur Muehlen .....  
H01H 85/202  
439/532  
D718,255 S \* 11/2014 Garcia ..... D13/161  
D818,443 S \* 5/2018 Belver Garcia ..... D13/160

OTHER PUBLICATIONS

Specification/Instructions, "I/O Modules, User Terminal Module,  
and SAnet Interface Module for Inflex AC, Inflex GC, Inflex GD,  
PARAMATRIX 4, and Inflex BC I/O Control Unit", Azbil Corp.,  
Jul. 2017, 24 pages (see esp. p. 22).

\* cited by examiner

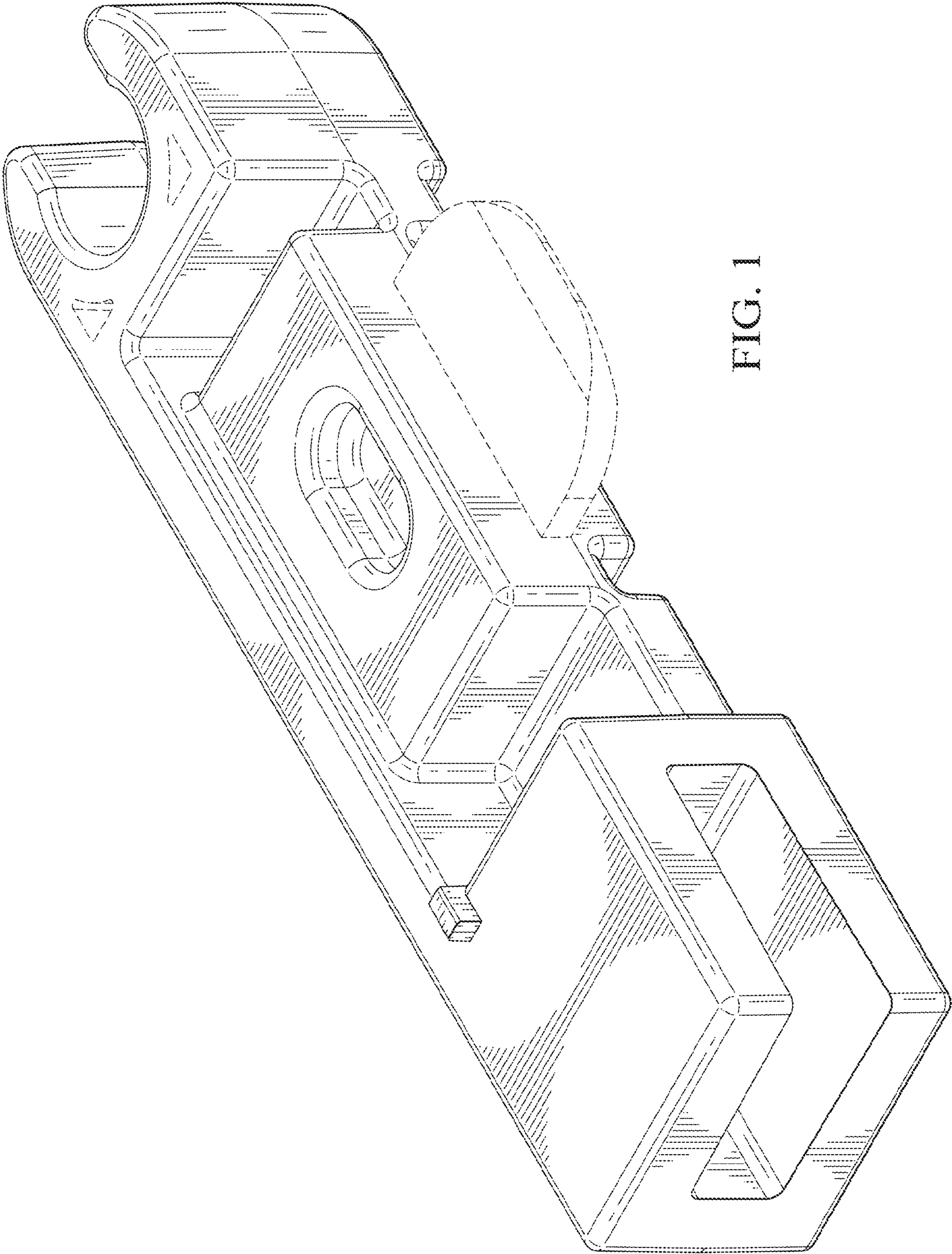


FIG. 1

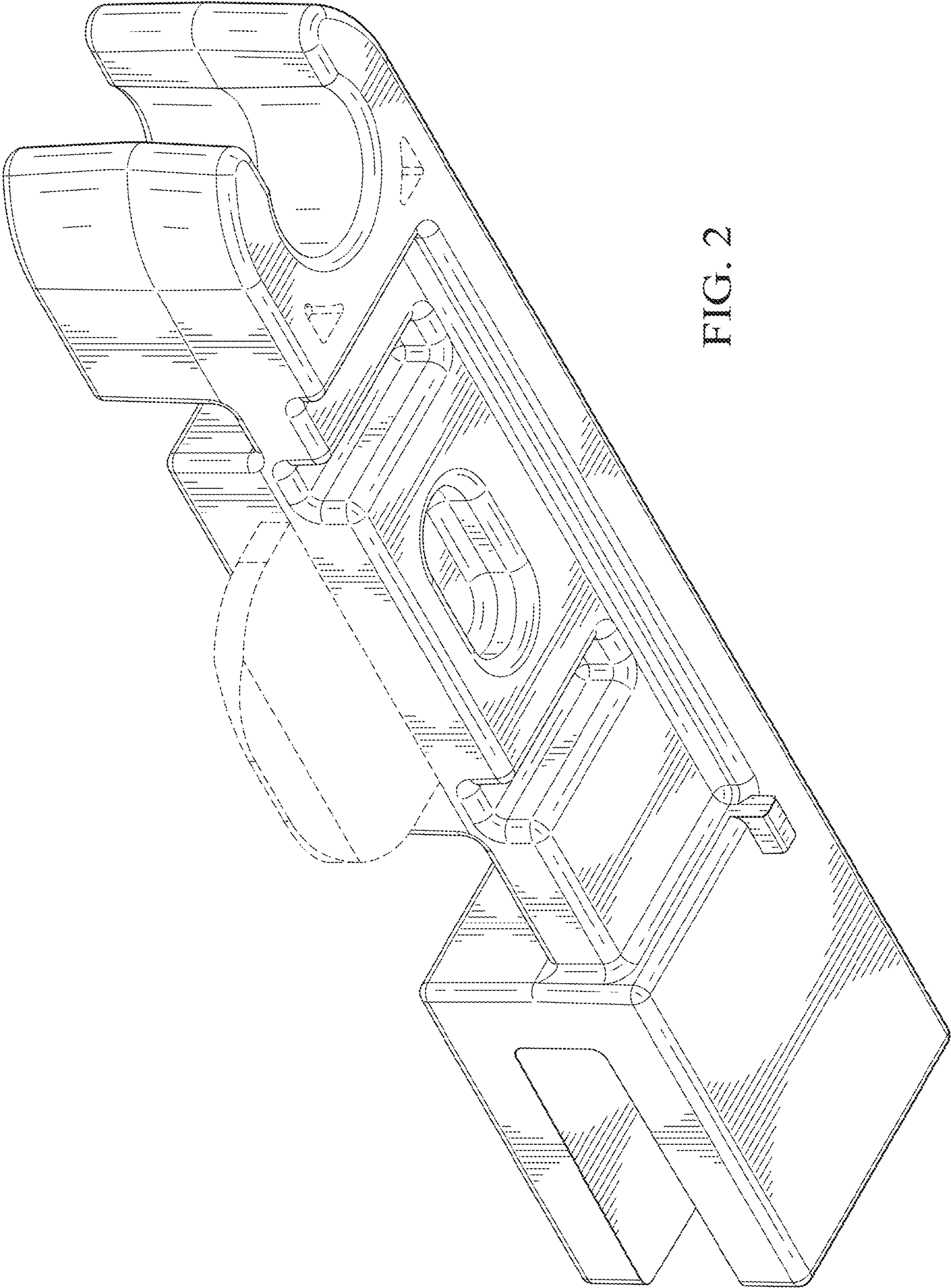


FIG. 2

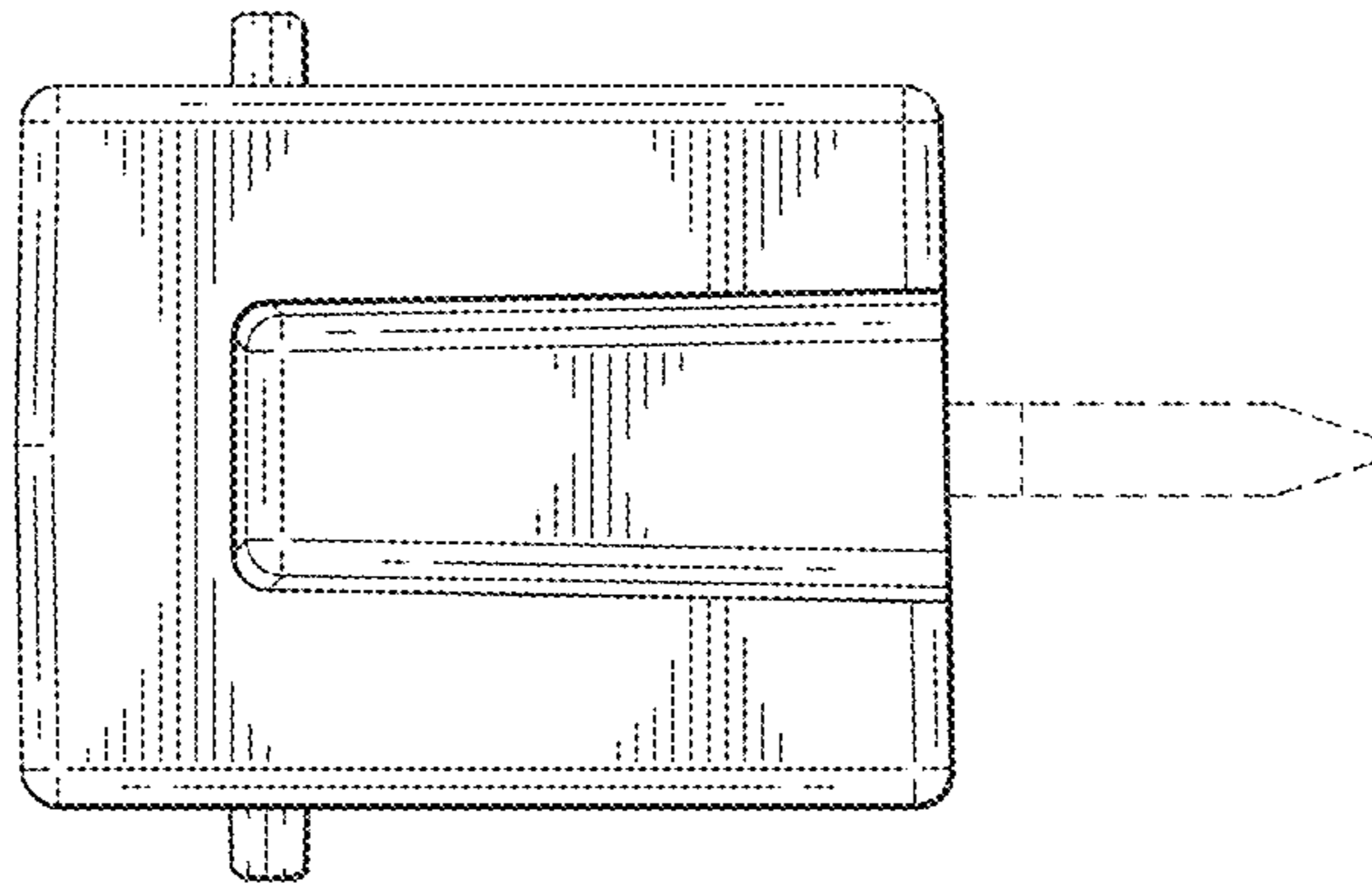


FIG. 3

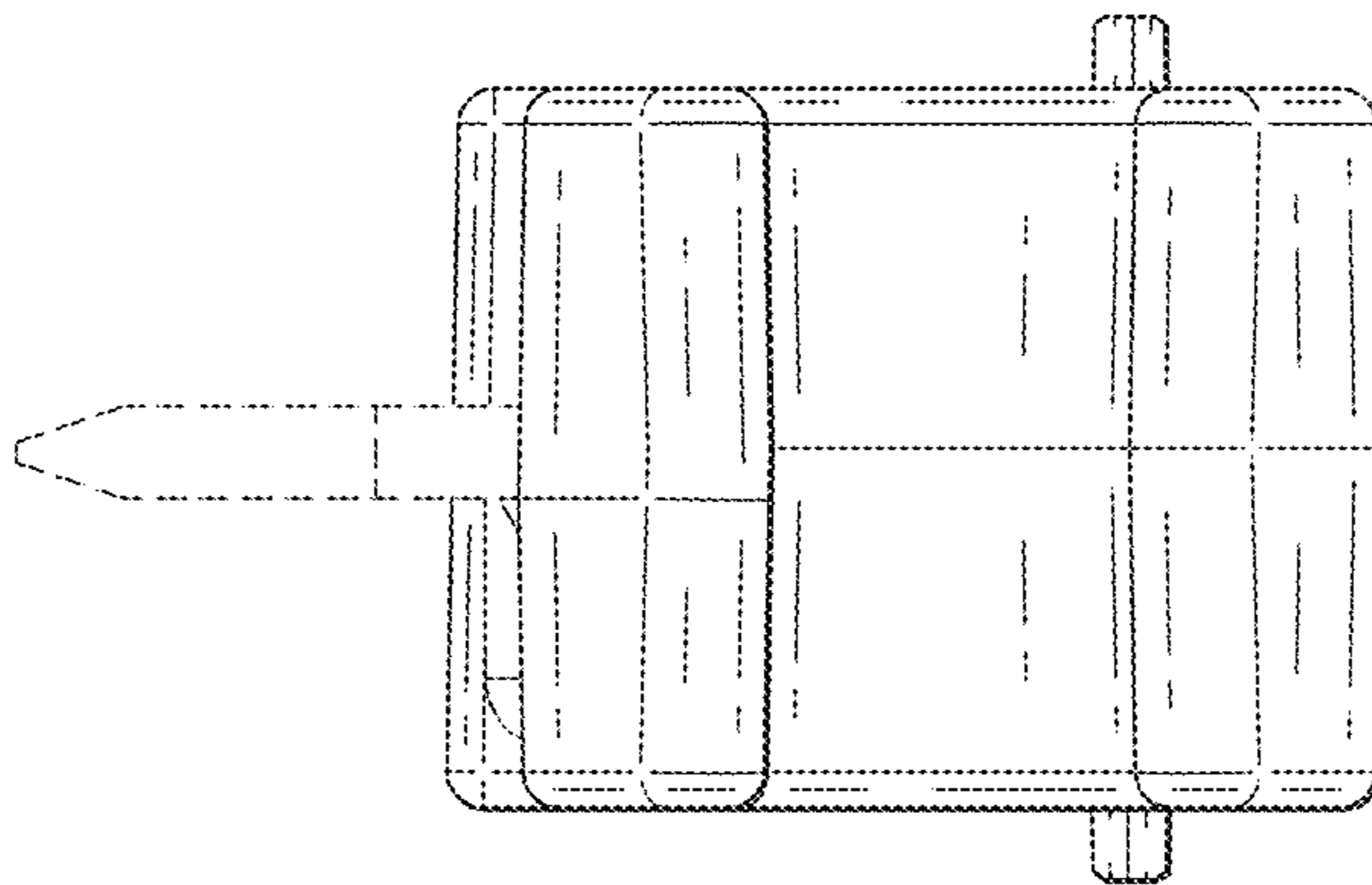


FIG. 6

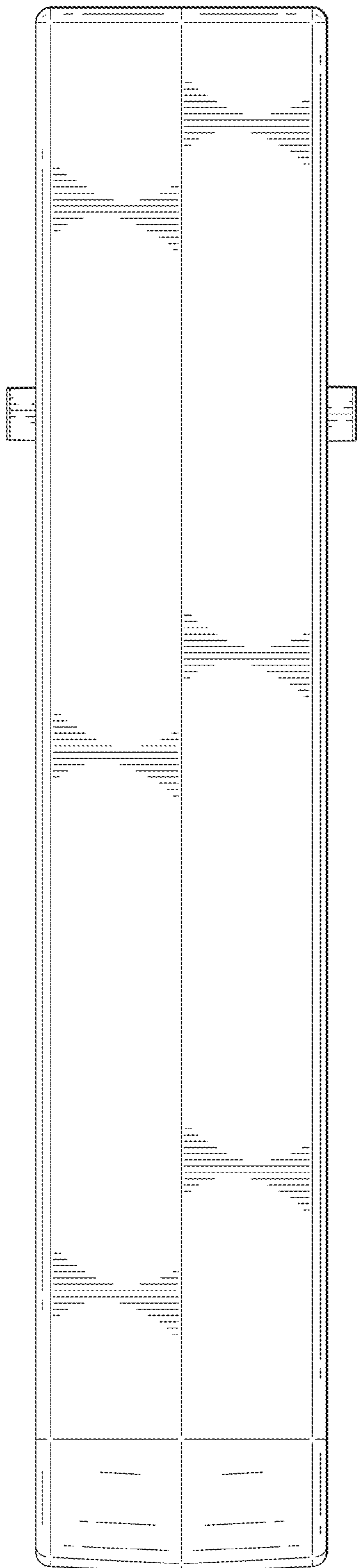


FIG. 4

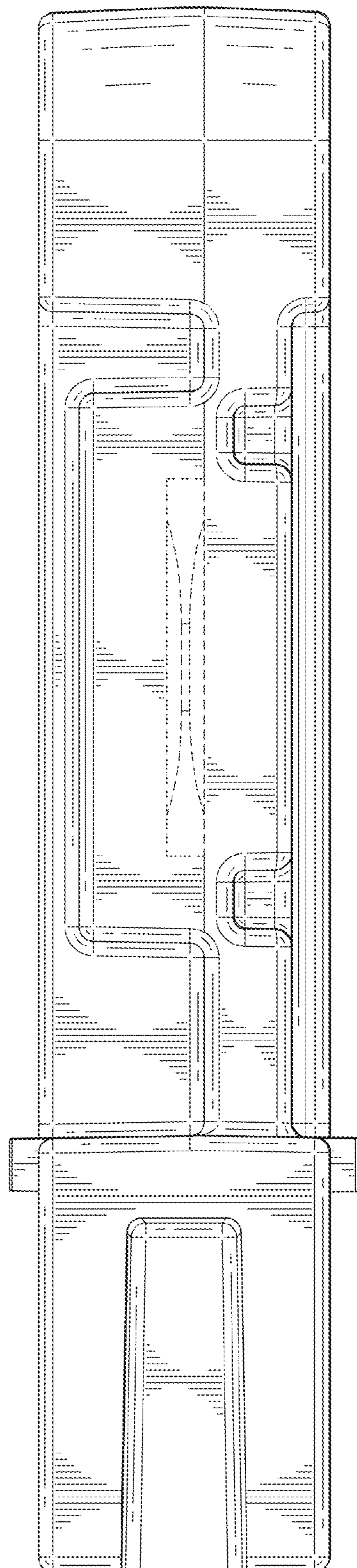


FIG. 5

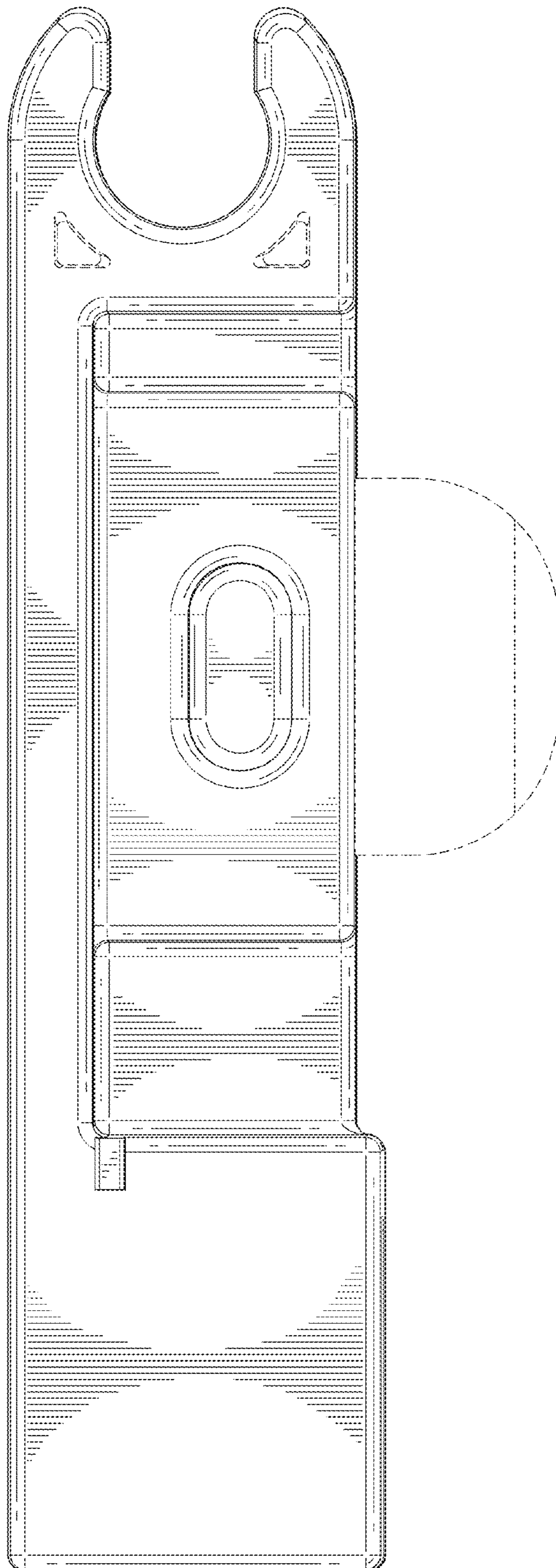


FIG. 7

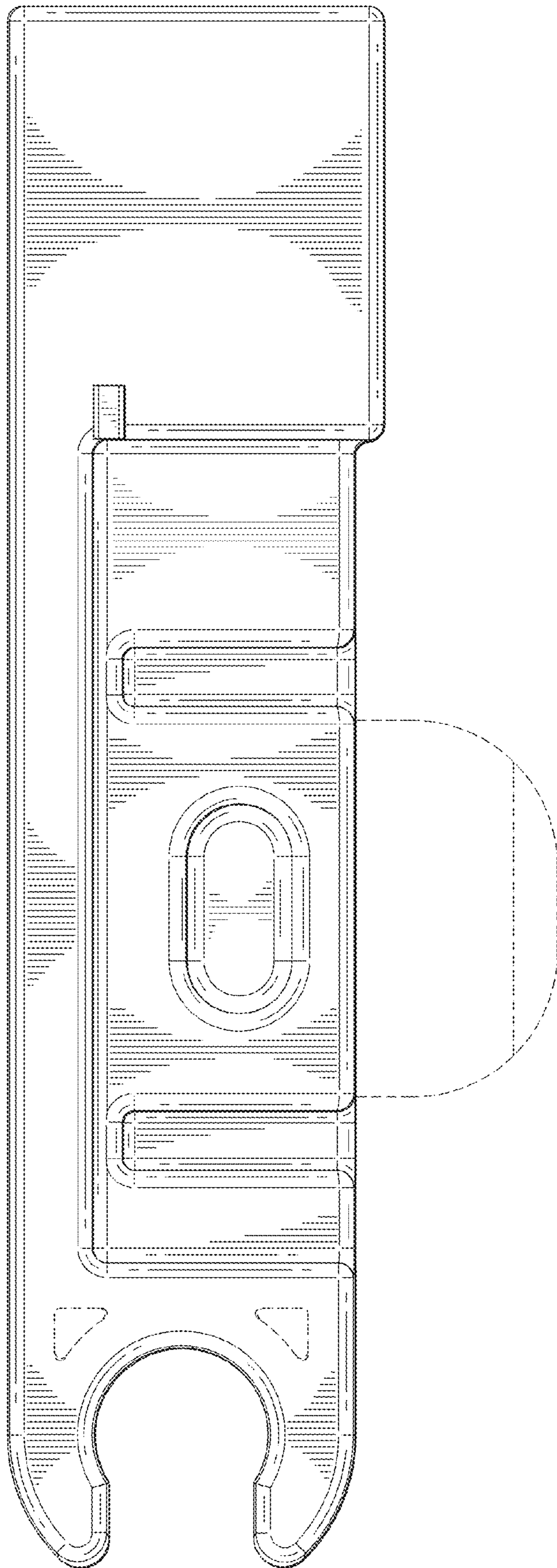


FIG. 8



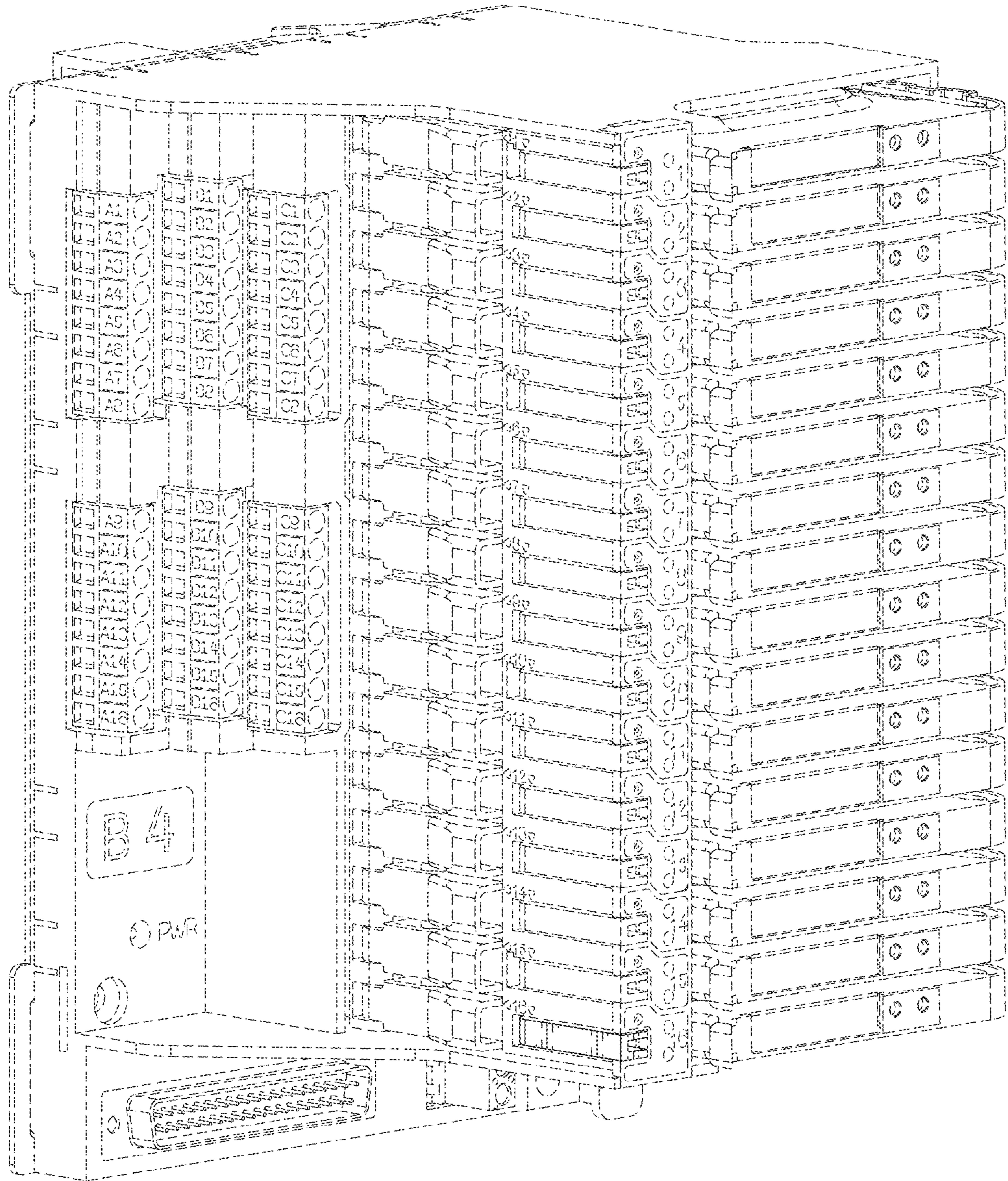


FIG. 9