



US00D903601S

(12) **United States Design Patent** (10) **Patent No.:** **US D903,601 S**
Tseng et al. (45) **Date of Patent:** **** Dec. 1, 2020**

(54) **PLUG ADAPTER** D869,397 S * 12/2019 Hayes A47B 9/00
D13/137.2
(71) Applicant: **Shenzhen Apeman Innovations** D872,695 S * 1/2020 Bo D13/137.2
Technology Co., Ltd, Shenzhen (CN) D874,403 S * 2/2020 Canizares D13/137.2
D880,425 S * 4/2020 Chen D13/137.3
(72) Inventors: **In Shr Tseng, Shenzhen (CN); Sunny** D881,809 S * 4/2020 Lyu D13/108
Han, Shenzhen (CN); Jianan Zhao, D883,217 S * 5/2020 Zheng D13/137.1
Shenzhen (CN) D888,666 S * 6/2020 Zhang D13/110

(**) Term: **15 Years**

(21) Appl. No.: **29/697,152**

(22) Filed: **Jul. 4, 2019**

(51) **LOC (12) Cl.** **13-03**

(52) **U.S. Cl.**
USPC **D13/137.2**

(58) **Field of Classification Search**

USPC D13/103, 107, 108, 113, 118, 123, 133,
D13/137.1–137.4, 139.1–139.7; D14/433,
D14/434

CPC H01R 25/005; H01R 25/006; H01R 13/00;
H01R 13/04; H01R 13/10; H01R
13/6666; H01R 13/6675; H01R 25/165;
H05K 5/00; H05K 5/03

See application file for complete search history.

(56) **References Cited**

U.S. PATENT DOCUMENTS

D756,303 S * 5/2016 Kellenberger D13/137.1
D825,458 S * 8/2018 Nauroy D13/108
D843,943 S * 3/2019 Yang D13/137.2
D845,900 S * 4/2019 Liu D13/137.2
D848,948 S * 5/2019 Wei D13/137.2
D849,686 S * 5/2019 Byrne D13/137.2
D851,597 S * 6/2019 Ding D13/137.2
D852,138 S * 6/2019 Wen D13/133
D852,139 S * 6/2019 Wen D13/137.1
D852,140 S * 6/2019 Chen D13/137.1
D860,948 S * 9/2019 Wang D13/137.2
D861,613 S * 10/2019 Dai D13/137.2
D867,996 S * 11/2019 Chen D13/137.2

OTHER PUBLICATIONS

Smart Plug, date Oct. 15, 2018, [online], [site visited Jul. 23, 2020], Available from Internet URL: https://www.amazon.com/Amazon-Smart-Plug-works-Alexa/dp/B01MZEEFNX/ref=sxin_7_ac_d_rm?ac_md=1-1-c21hcnQgcGx1Zw%3D%3D-ac_d_rm&cv_ct_cx=smart%2Bsocket&dchild=1&keywords=smart%2Bsocket&pd_rd_i=B01MZEEFNX&pd (Year: 2018).*

Eve Smart Plug, date Jun. 29, 2020, [online], [site visited Jul. 27, 2020], Available from Internet URL: https://www.amazon.com/dp/B083G95RPN/ref=emc_b_5-i?th=1 (Year: 2020).*

* cited by examiner

Primary Examiner — Karen E Kearney
Assistant Examiner — Michael Chong
(74) *Attorney, Agent, or Firm* — ZANIP

(57) **CLAIM**

The ornamental design for a plug adapter, as shown and described.

DESCRIPTION

FIG. 1 is a front view of a plug adapter showing our new design;

FIG. 2 is a back view thereof

FIG. 3 is a left side view thereof;

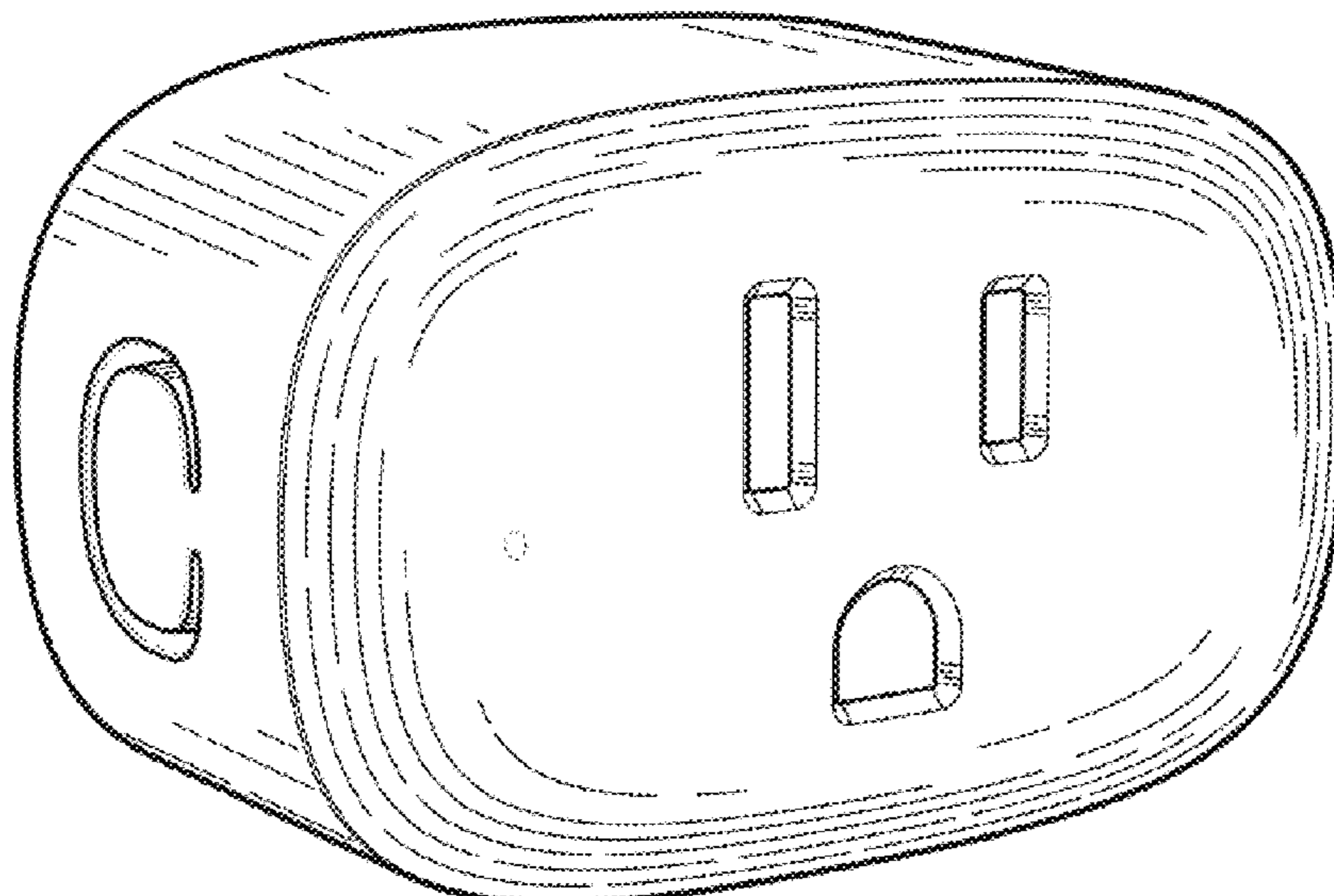
FIG. 4 is a right side view thereof;

FIG. 5 is a top view thereof

FIG. 6 is a bottom view thereof; and,

FIG. 7 is a perspective view thereof.

1 Claim, 7 Drawing Sheets



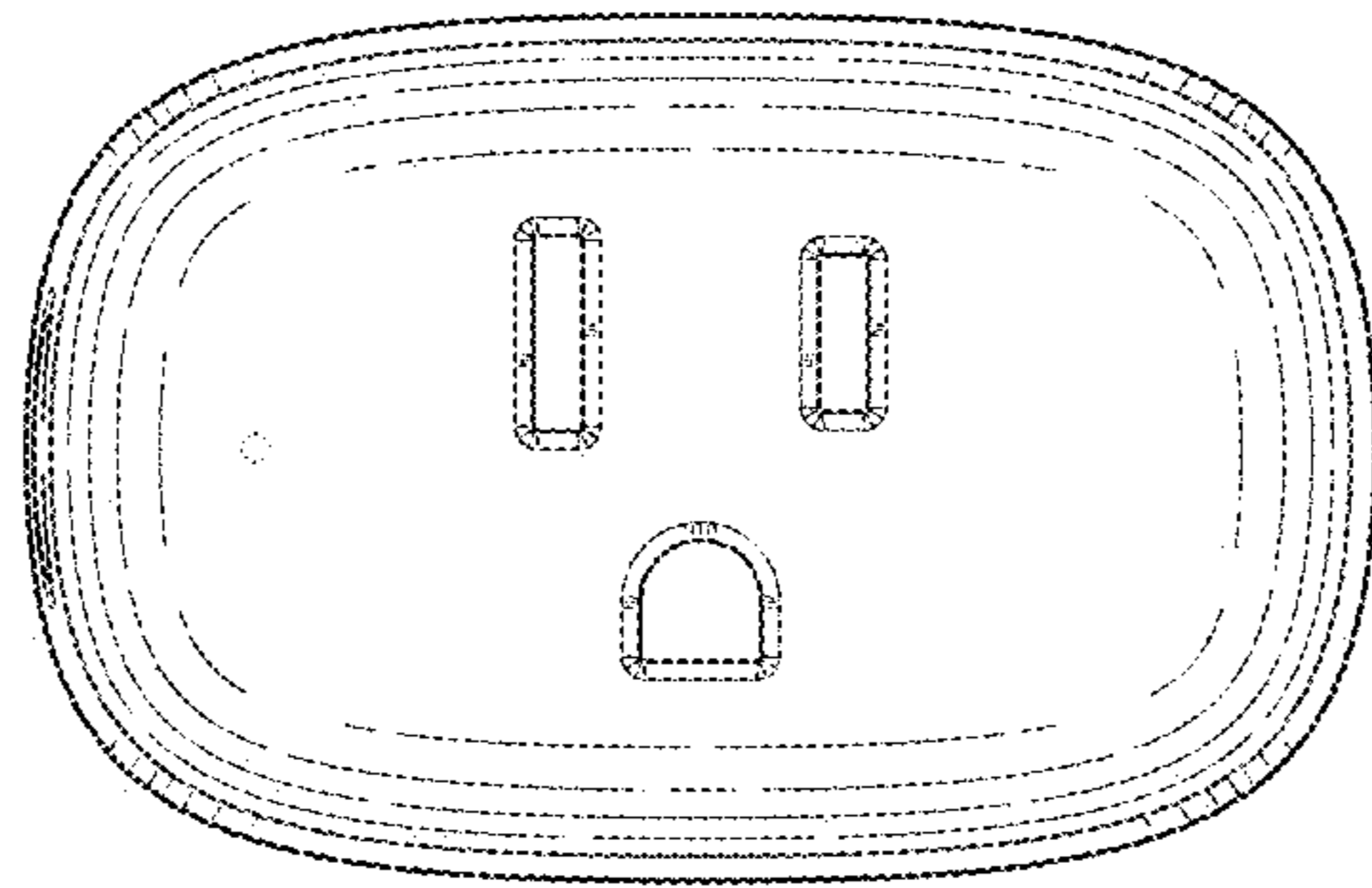


FIG. 1

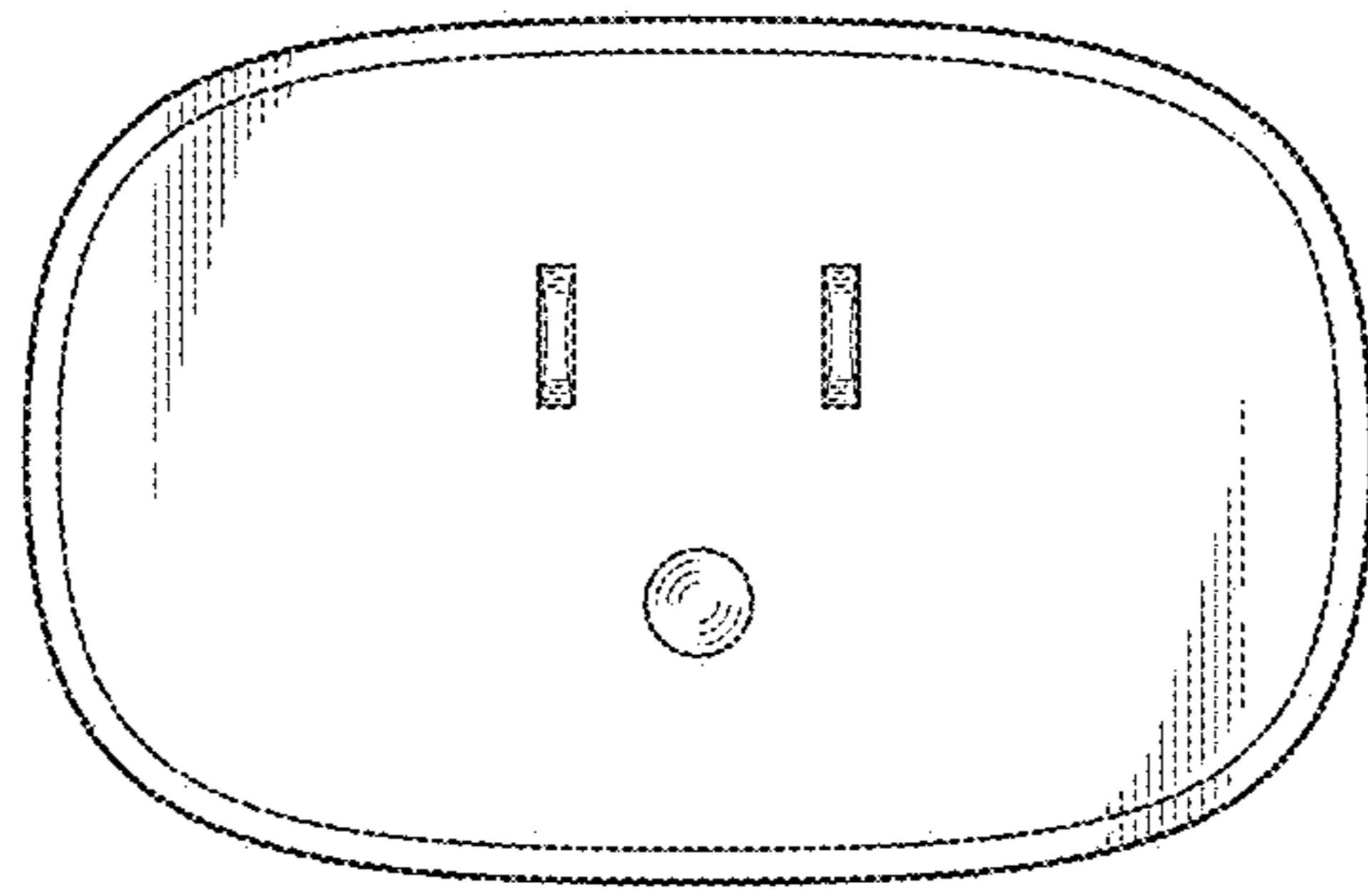


FIG. 2

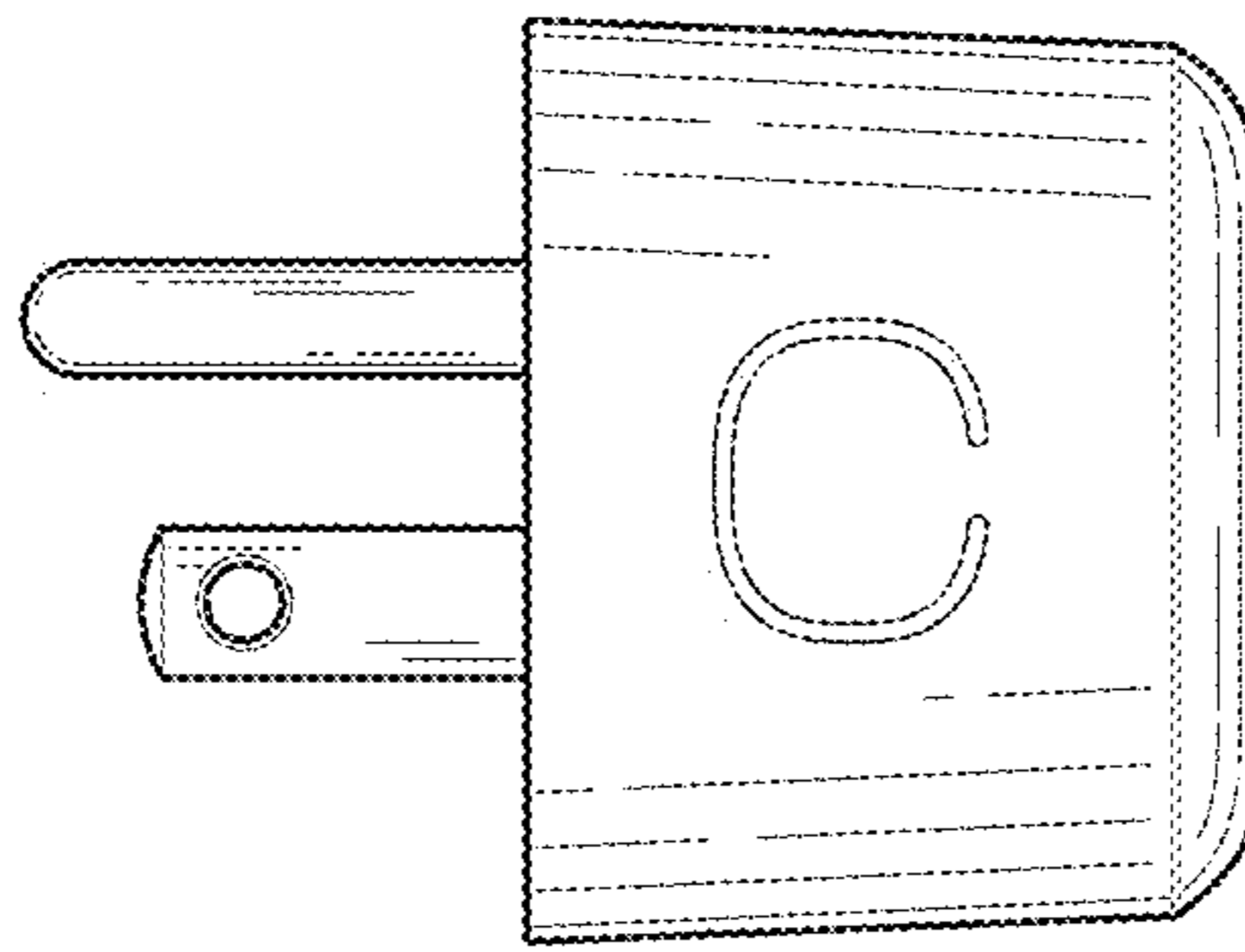


FIG. 3

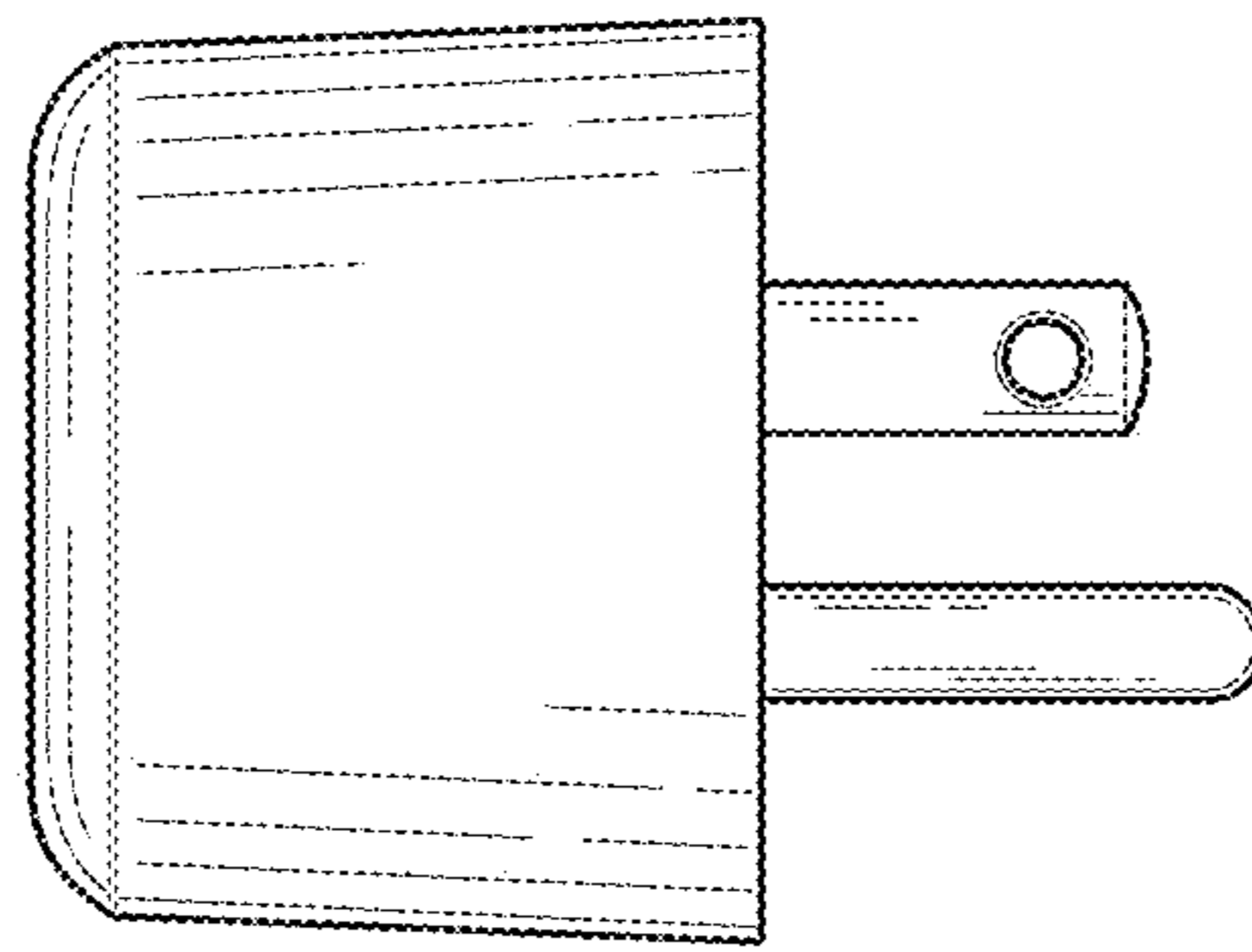


FIG. 4

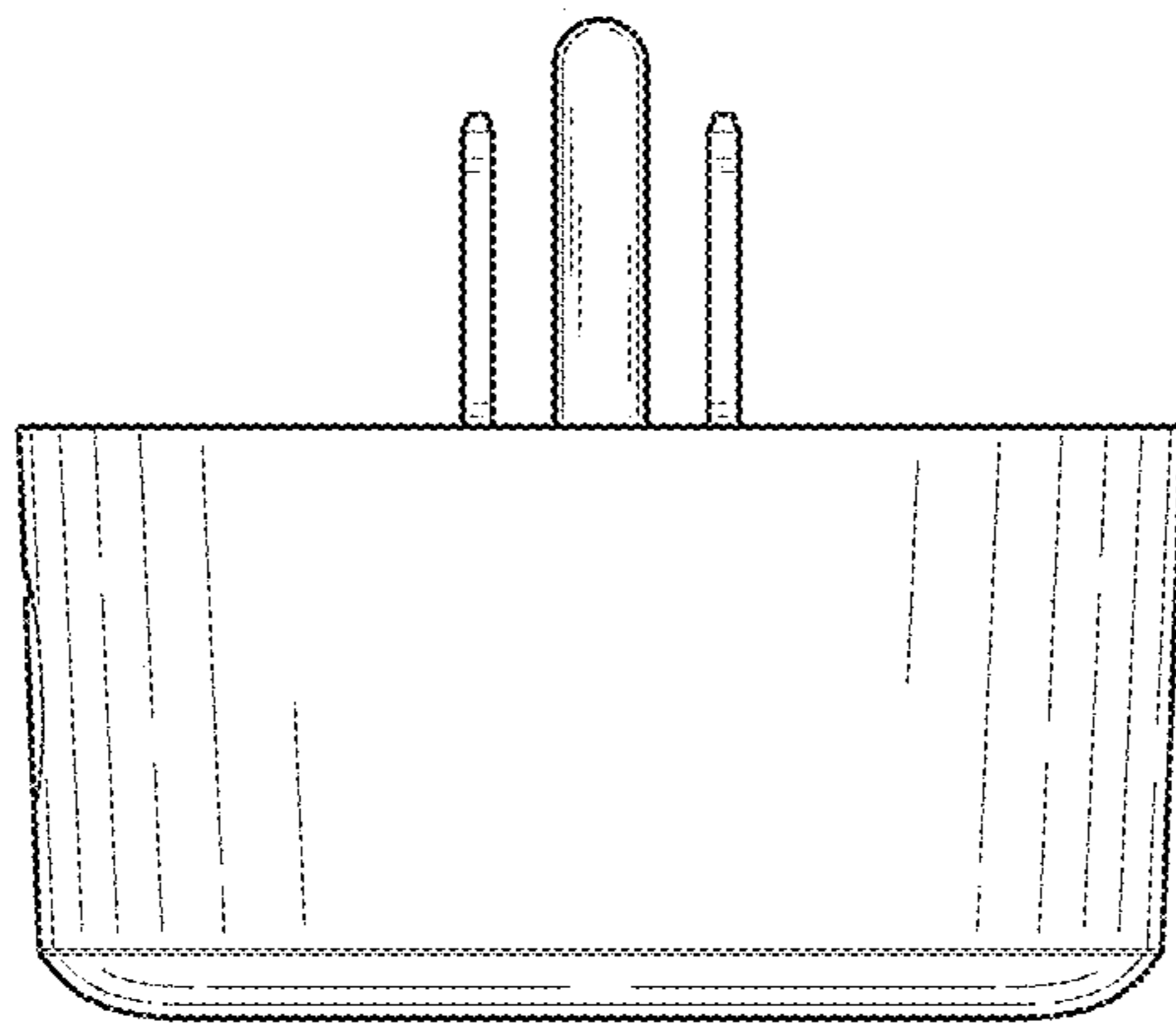


FIG. 5

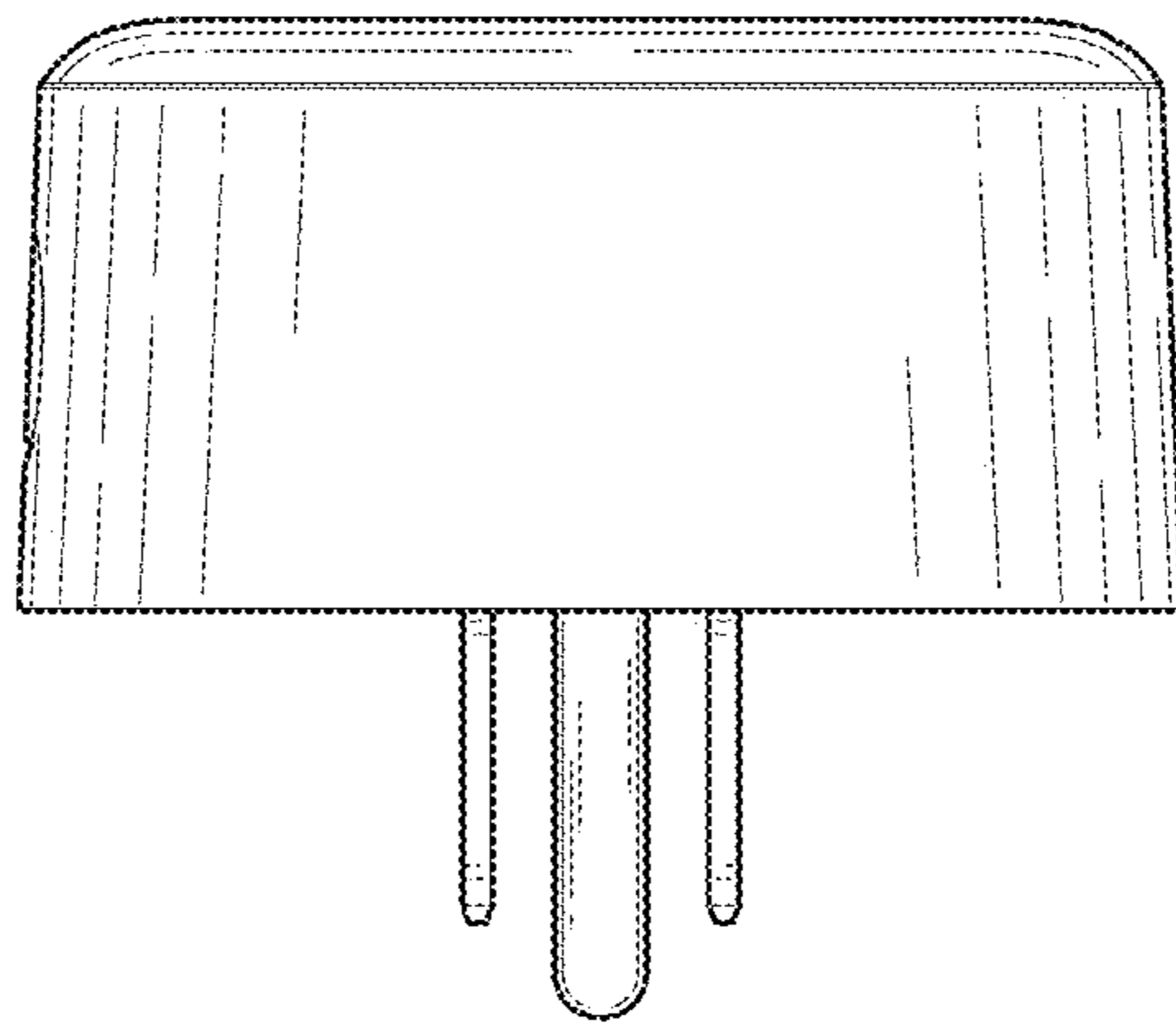


FIG. 6

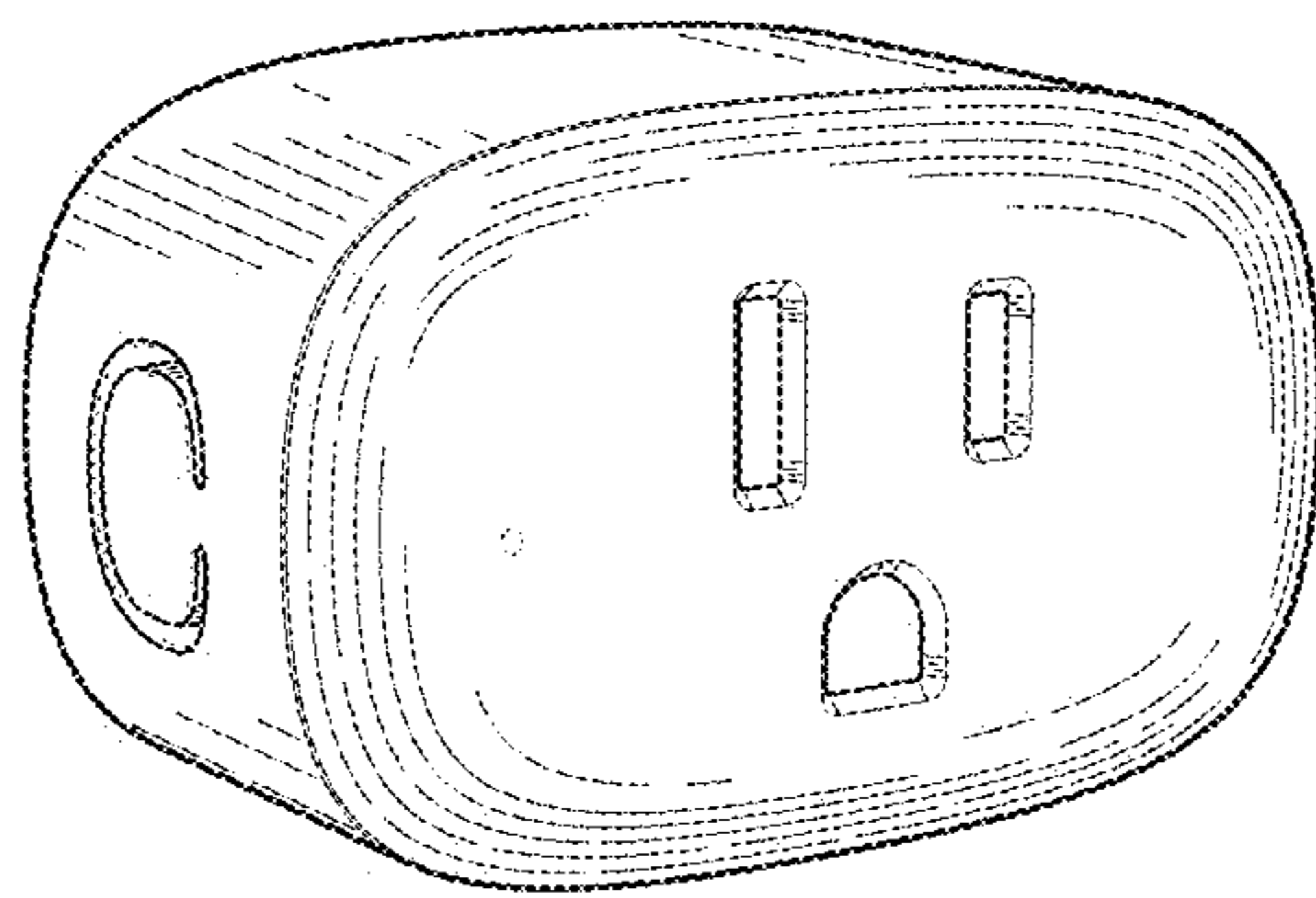


FIG. 7