



US00D903599S

(12) **United States Design Patent** (10) **Patent No.:** **US D903,599 S**
Hansen et al. (45) **Date of Patent:** **** Dec. 1, 2020**

(54) **POWER ADAPTER**
(71) Applicant: **3Shape A/S**, Copenhagen K (DK)
(72) Inventors: **Eskild Hansen**, Copenhagen (DK);
Mikael Nielsen, Copenhagen (DK);
Sindri Sighvatsson, Copenhagen Ø
(DK); **Casper Rasmussen**, Copenhagen
K (DK); **Kasper Krogh**, Copenhagen K
(DK); **Troels Arned**, Copenhagen K
(DK)
(73) Assignee: **3SHAPE A/S**, Copenhagen (DK)
(**) Term: **15 Years**
(21) Appl. No.: **29/683,256**
(22) Filed: **Mar. 12, 2019**
(51) **LOC (12) Cl.** **13-03**
(52) **U.S. Cl.**
USPC **D13/133**
(58) **Field of Classification Search**
USPC D13/107, 108, 110-118, 122, 133, 146,
D13/147, 153, 154, 184, 199; D3/208;
D24/176, 180
CPC H01R 13/00; H01R 13/424; H01R 13/64;
H01R 4/00; H01R 11/00; H01R 31/06;
H01R 24/38; H02J 3/38; H02J 7/0042;
H02J 7/0045; H02J 7/0052
See application file for complete search history.

D689,819 S * 9/2013 Olsson D13/110
D782,484 S * 3/2017 Hu D14/433
D834,518 S * 11/2018 Hung D13/133
D879,042 S * 3/2020 Hu D13/133
D879,043 S * 3/2020 Hu D13/133

OTHER PUBLICATIONS

3Shape TRIOS A/S, Henry Schein, retrieved on Jul. 13, 2020,
retrieved from the Internet URL: <https://www.henryschein.com/us-en/shopping/ProductBrowser.aspx?categoryname=3Shape+Trios+A%2FS&browsingmode=m&Reset=4294458670&N=4294458670>.*

* cited by examiner

Primary Examiner — Catherine S Posthauer
Assistant Examiner — Alison M Ofstun
(74) *Attorney, Agent, or Firm* — Polson Intellectual
Property Law, PC; Margaret Polson

(57) **CLAIM**

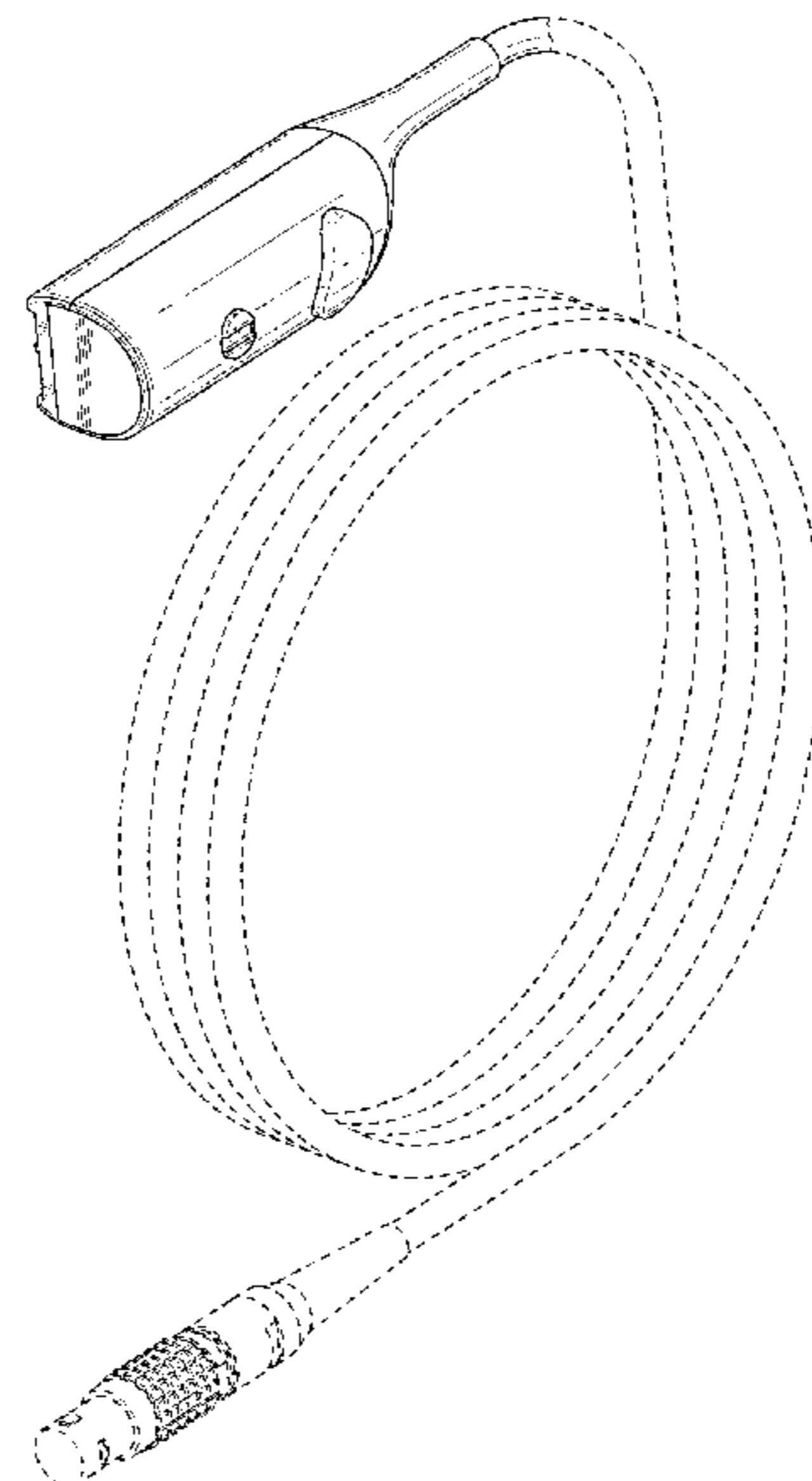
The ornamental design for a power adapter, as shown and described.

DESCRIPTION

FIG. 1 is a left side isometric view of our new design for a power adapter.
FIG. 2 is a left side elevation view of FIG. 1.
FIG. 3 is a right side elevation view of FIG. 1.
FIG. 4 is a front side elevation view of FIG. 1.
FIG. 5 is a back side elevation view of FIG. 1.
FIG. 6 is a top plan view of FIG. 1; and,
FIG. 7 is a bottom plan view of FIG. 1.
In the drawings, the broken lines shown within the recessed surface in FIG. 3 illustrate portions of the article which form no part of the claimed design. The remaining broken lines illustrate environmental subject matter only and form no part of the claimed design.

1 Claim, 5 Drawing Sheets

(56) **References Cited**
U.S. PATENT DOCUMENTS
D443,859 S * 6/2001 Hogan D13/133
D462,667 S * 9/2002 Donofrio D13/168
D487,724 S * 3/2004 Hsiao D13/145
D488,130 S * 4/2004 Hsiao D13/145
D511,145 S * 11/2005 Donofrio D13/168
D628,560 S * 12/2010 Bodley D14/217
D649,971 S * 12/2011 Lyford D14/433



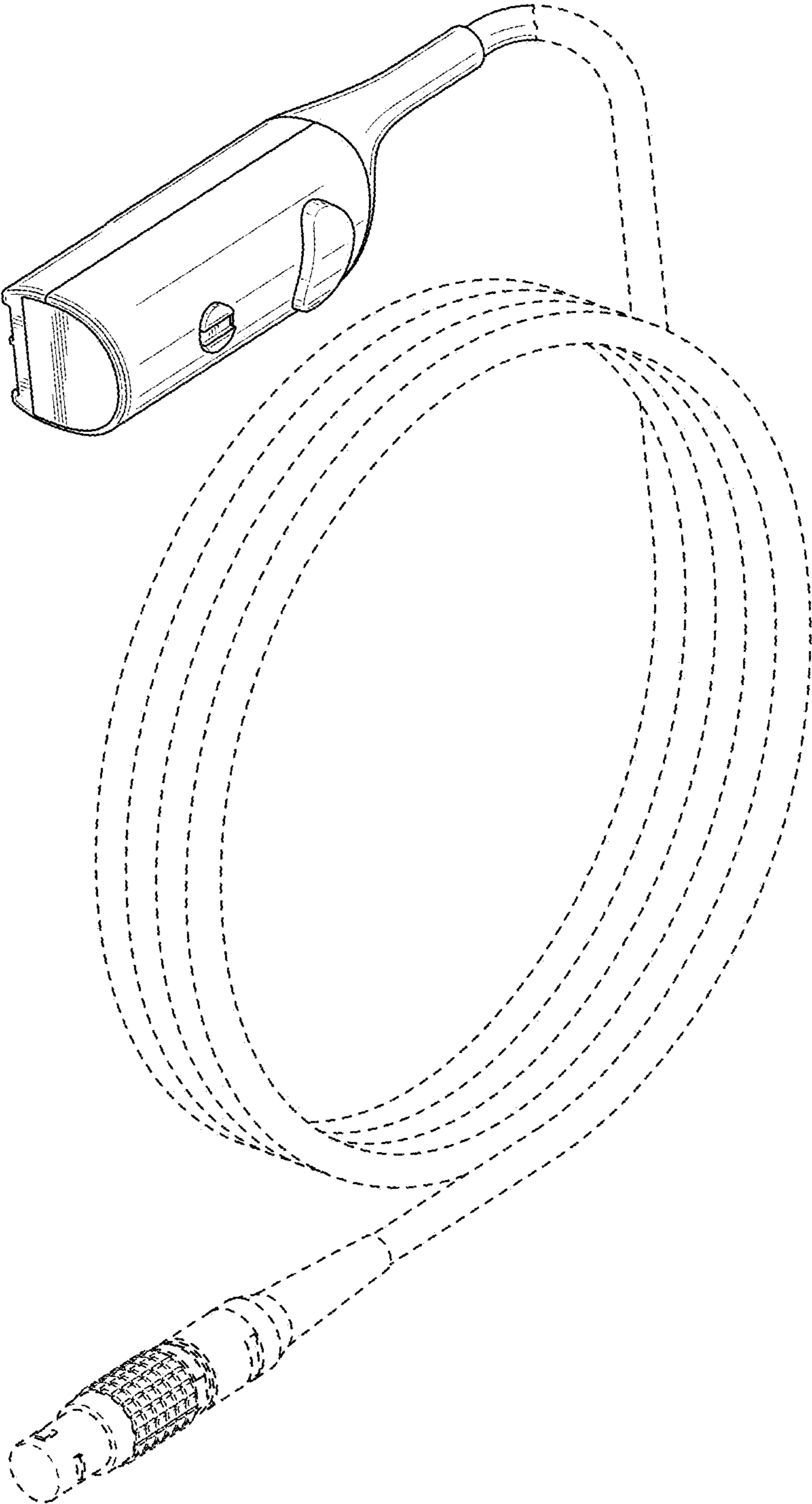


FIG. 1

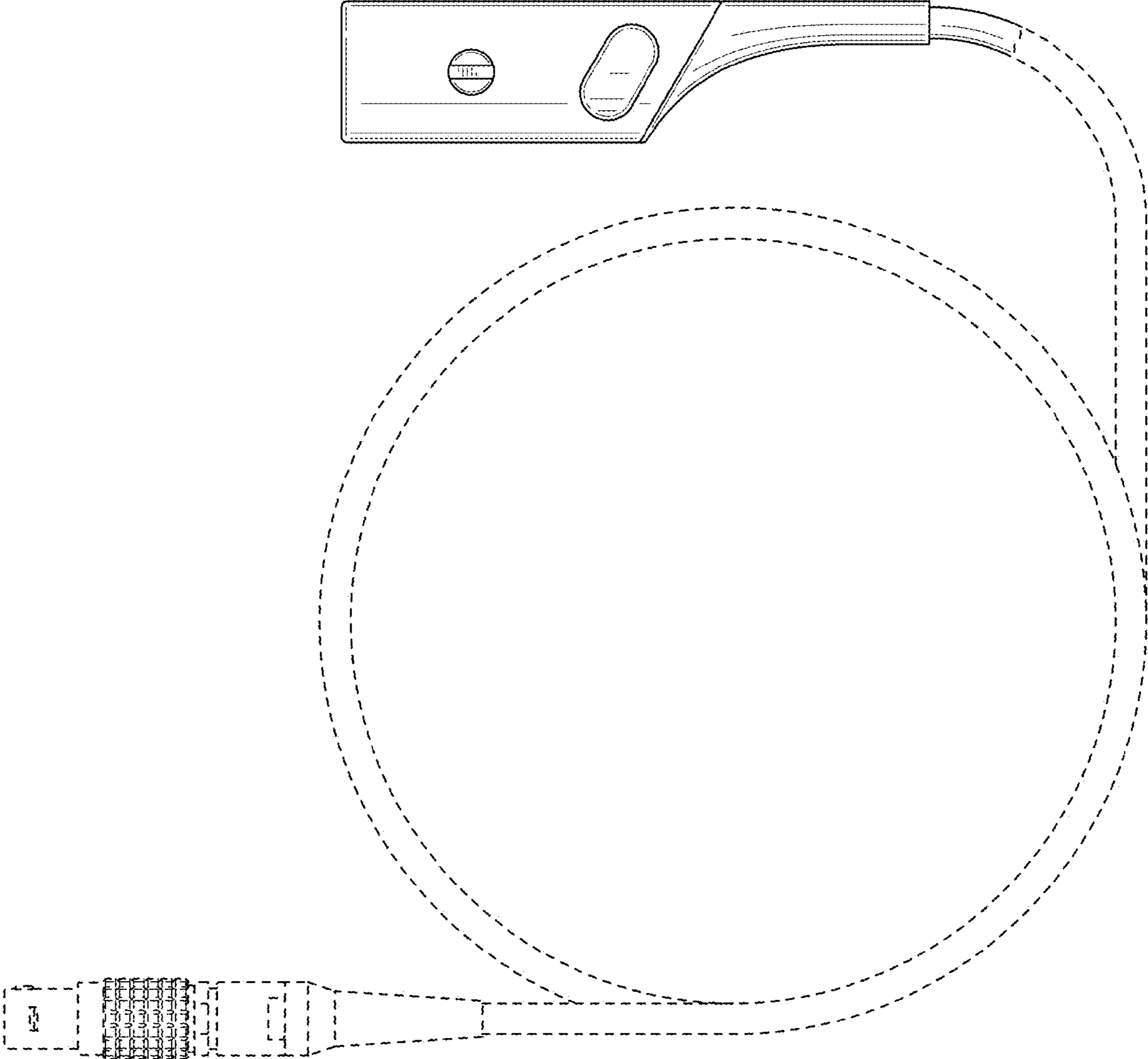


FIG. 2

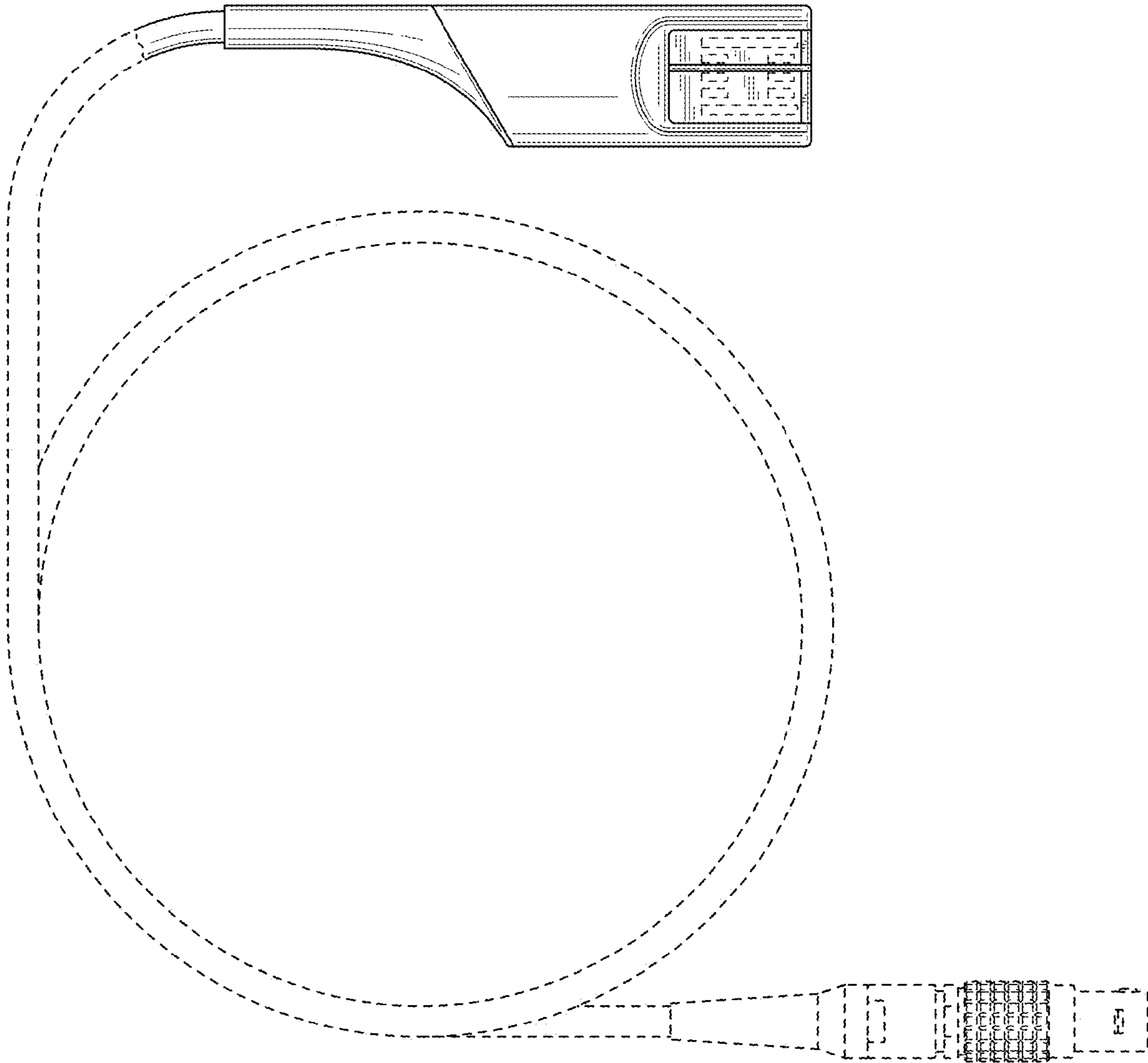


FIG. 3

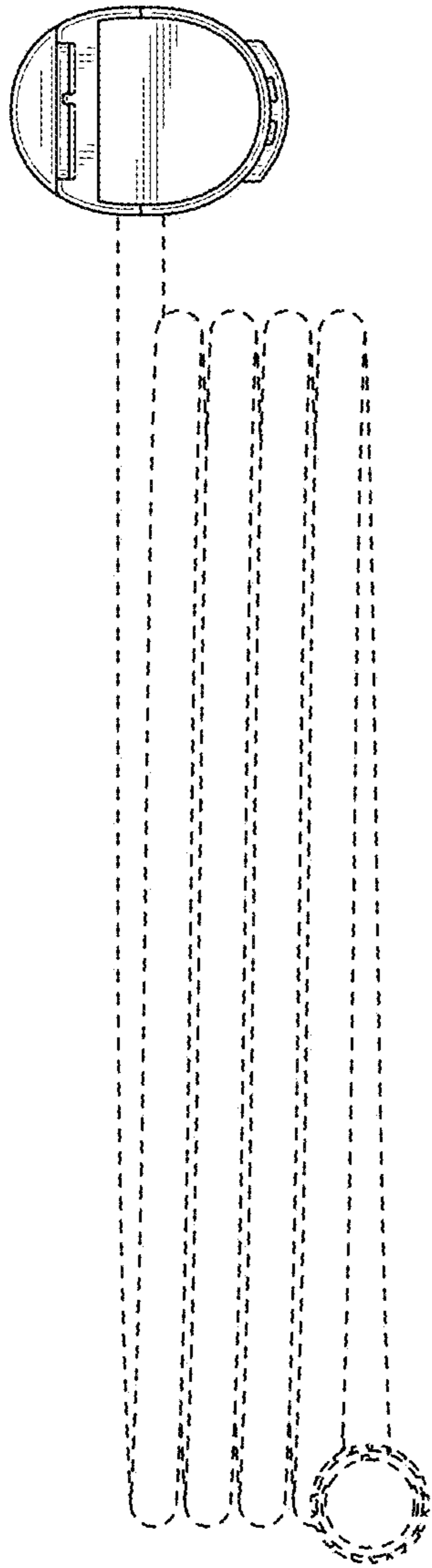


FIG. 4

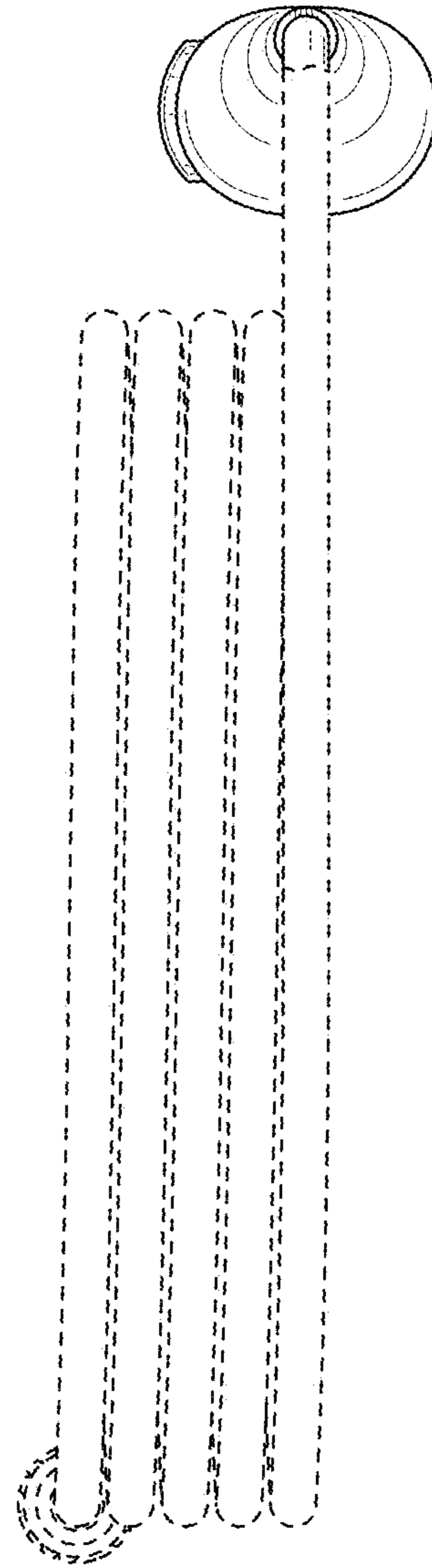


FIG. 5

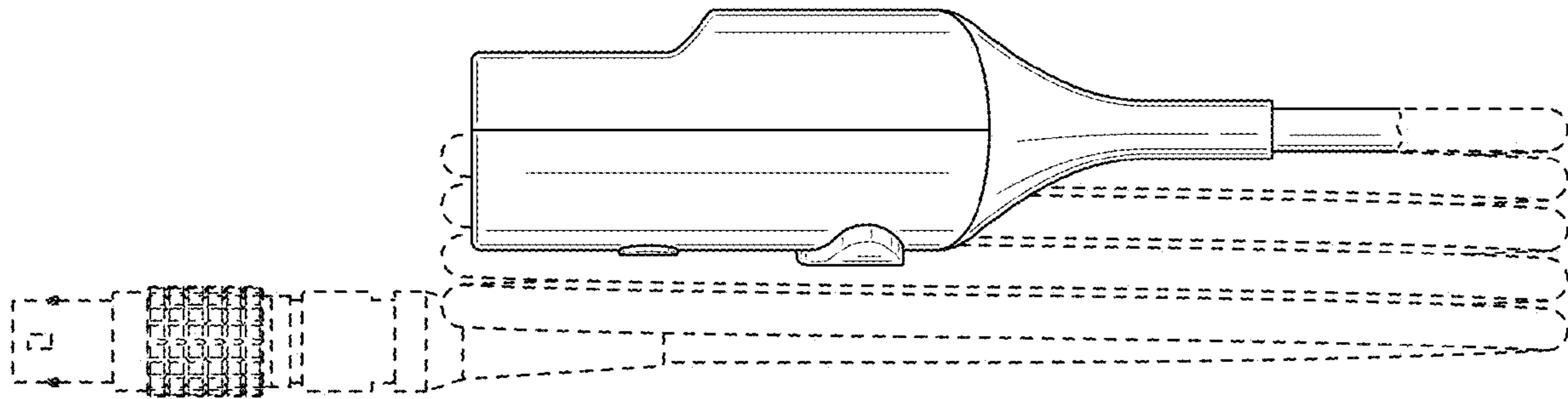


FIG. 6

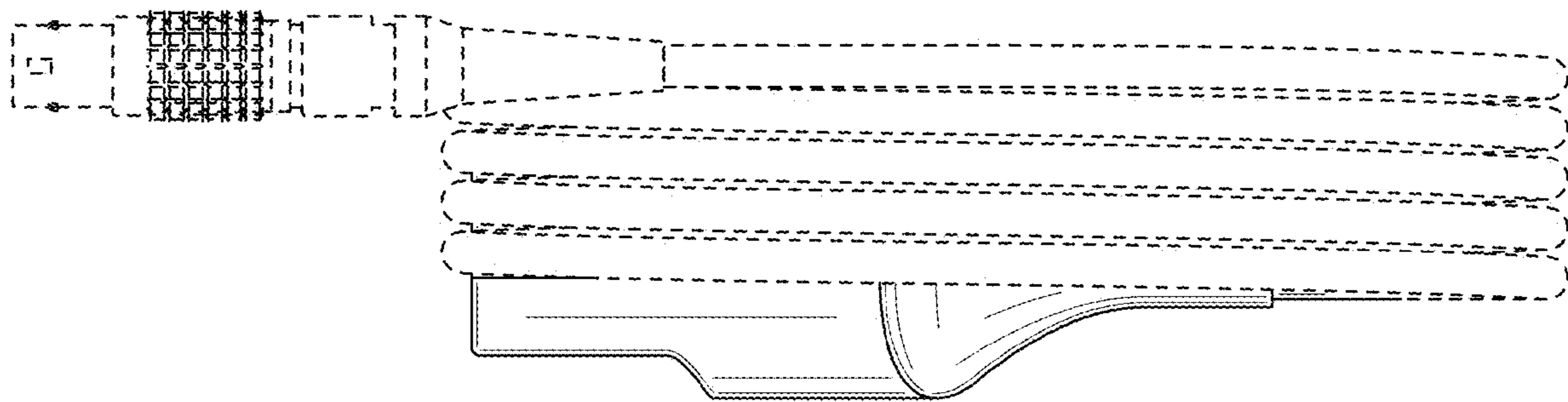


FIG. 7