



US00D903598S

(12) **United States Design Patent** (10) **Patent No.:** **US D903,598 S**
Ma (45) **Date of Patent:** **** Dec. 1, 2020**

(54) **AVIATION PLUG**
(71) Applicant: **TuSimple, Inc.**, San Diego, CA (US)
(72) Inventor: **Zhihua Ma**, Beijing (CN)
(73) Assignee: **TUSIMPLE, INC.**, San Diego, CA (US)
(**) Term: **15 Years**
(21) Appl. No.: **29/617,659**
(22) Filed: **Sep. 15, 2017**
(30) **Foreign Application Priority Data**

Jul. 10, 2017 (CN) 2017 3 0299578
(51) **LOC (12) Cl.** **13-03**
(52) **U.S. Cl.**
USPC **D13/133**
(58) **Field of Classification Search**
USPC D13/120, 133, 146, 147, 151, 153, 154,
D13/155, 156; D3/208; D8/349, 382,
D8/394, 396
CPC B65H 75/36; H01R 13/5845; H01R 13/72;
H01R 31/06; H01R 11/00; H01R 13/52;
H01R 13/62; H04M 1/15; F16G 11/14;
D06F 55/00; H02M 2001/0009; F02C
7/28; H02G 15/113; F16L 25/026
See application file for complete search history.

(56) **References Cited**
U.S. PATENT DOCUMENTS
5,664,809 A * 9/1997 Bates F16L 25/026
174/51
D734,266 S * 7/2015 Sato D13/133
D747,692 S * 1/2016 Katagiyama D13/154
D753,594 S * 4/2016 Katagiyama D13/133
D754,073 S * 4/2016 Katagiyama D13/133

D776,616 S * 1/2017 Katagiyama D13/133
D777,106 S * 1/2017 Katagiyama D13/133
D782,621 S * 3/2017 Smith D23/259
D789,298 S * 6/2017 Dobler D13/133
D817,883 S * 5/2018 Ishiguro D13/133
D824,856 S * 8/2018 Corona D13/146
D836,069 S * 12/2018 Barrefelt D13/133
D837,741 S * 1/2019 Corona D13/151
D838,247 S * 1/2019 Corona D13/151
D840,934 S * 2/2019 Marchesi D13/120
2010/0062632 A1* 3/2010 Ribeau H01R 13/741
439/300
2011/0275235 A1* 11/2011 Zapf H01R 13/625
439/349
2013/0207377 A1* 8/2013 Cavagna F16L 25/026
285/47
2014/0322937 A1* 10/2014 Johnson H01R 13/53
439/126

(Continued)

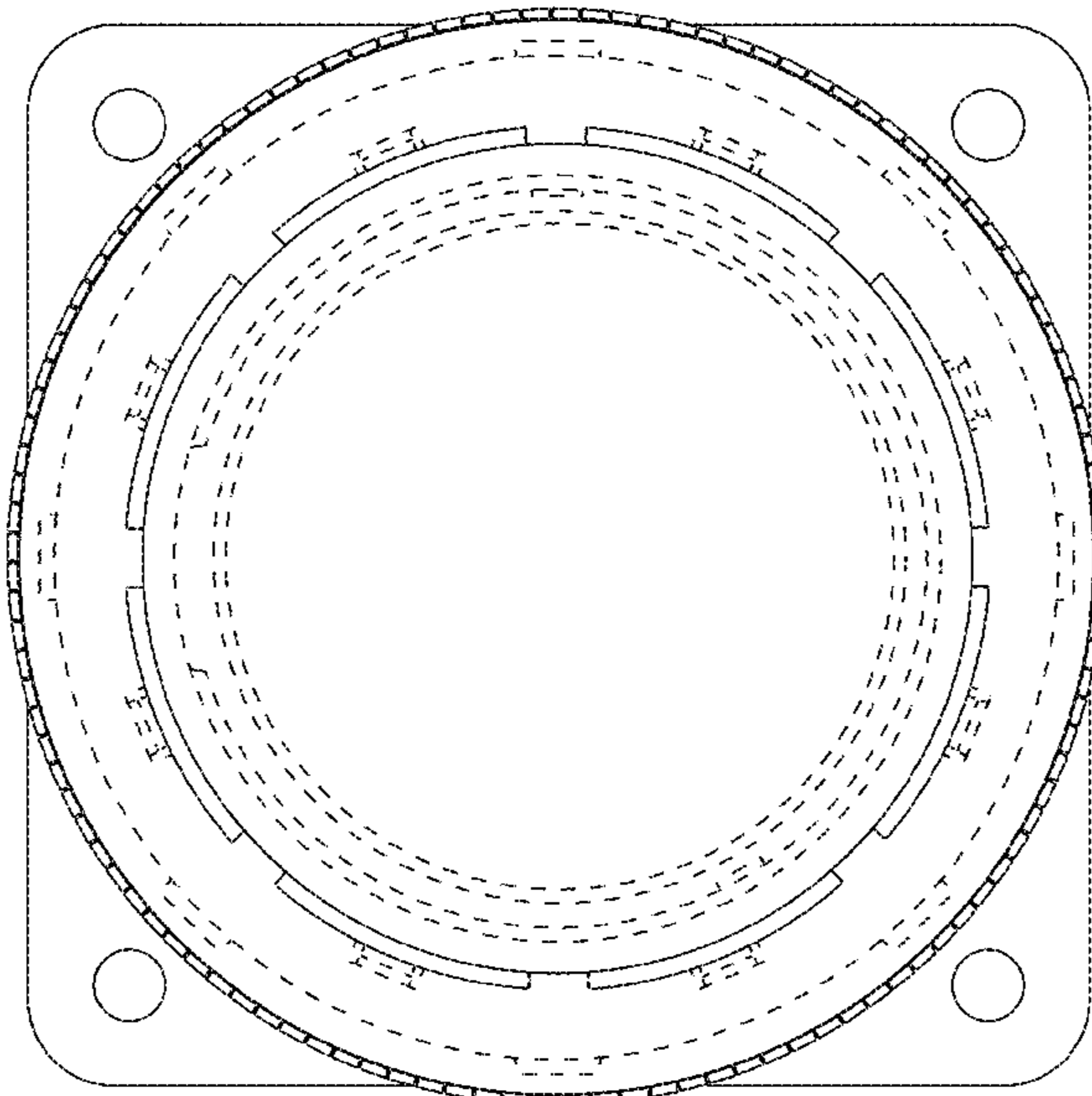
Primary Examiner — Catherine S Posthauer
Assistant Examiner — Alison M Ofstun
(74) *Attorney, Agent, or Firm* — Paul Liu; Perkins Coie, LLP

(57) **CLAIM**
The ornamental design for an aviation plug, as shown and described.

DESCRIPTION

FIG. 1 is a front view of an aviation plug showing my new design;
FIG. 2 is a rear view thereof;
FIG. 3 is a left side view thereof;
FIG. 4 is a right side view thereof;
FIG. 5 is a top view thereof; and,
FIG. 6 is a bottom view thereof.
The four circular features at the corners of the aviation plug are holes.
In the drawings the broken lines illustrate portions of the article which form no part of the claimed design.

1 Claim, 6 Drawing Sheets



(56)

References Cited

U.S. PATENT DOCUMENTS

2015/0132983 A1* 5/2015 Daly H01R 13/625
439/332
2015/0380861 A1* 12/2015 Harwath H01R 13/52
385/86
2016/0285196 A1* 9/2016 Deininger H01R 13/52

* cited by examiner

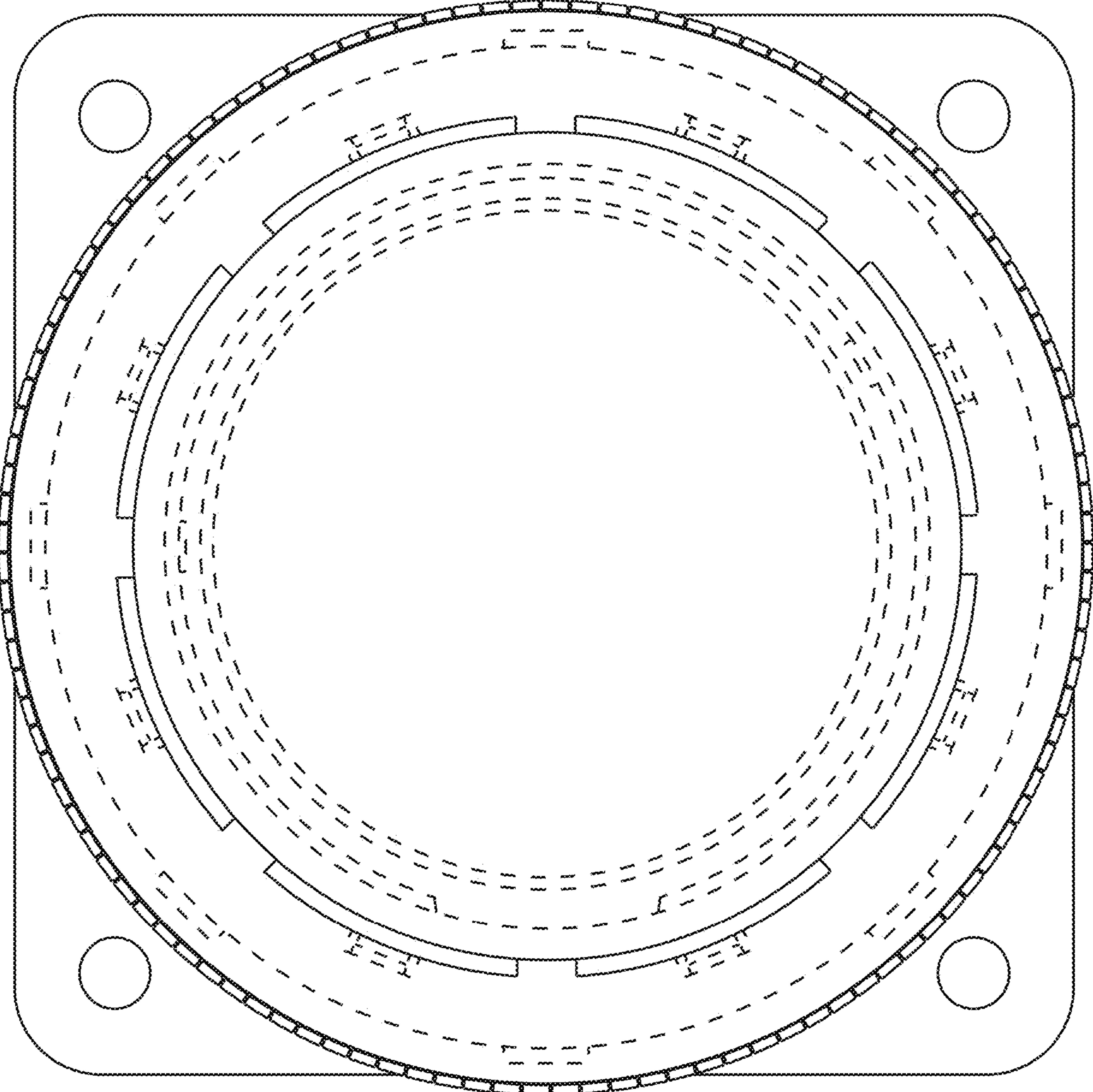


FIG. 1

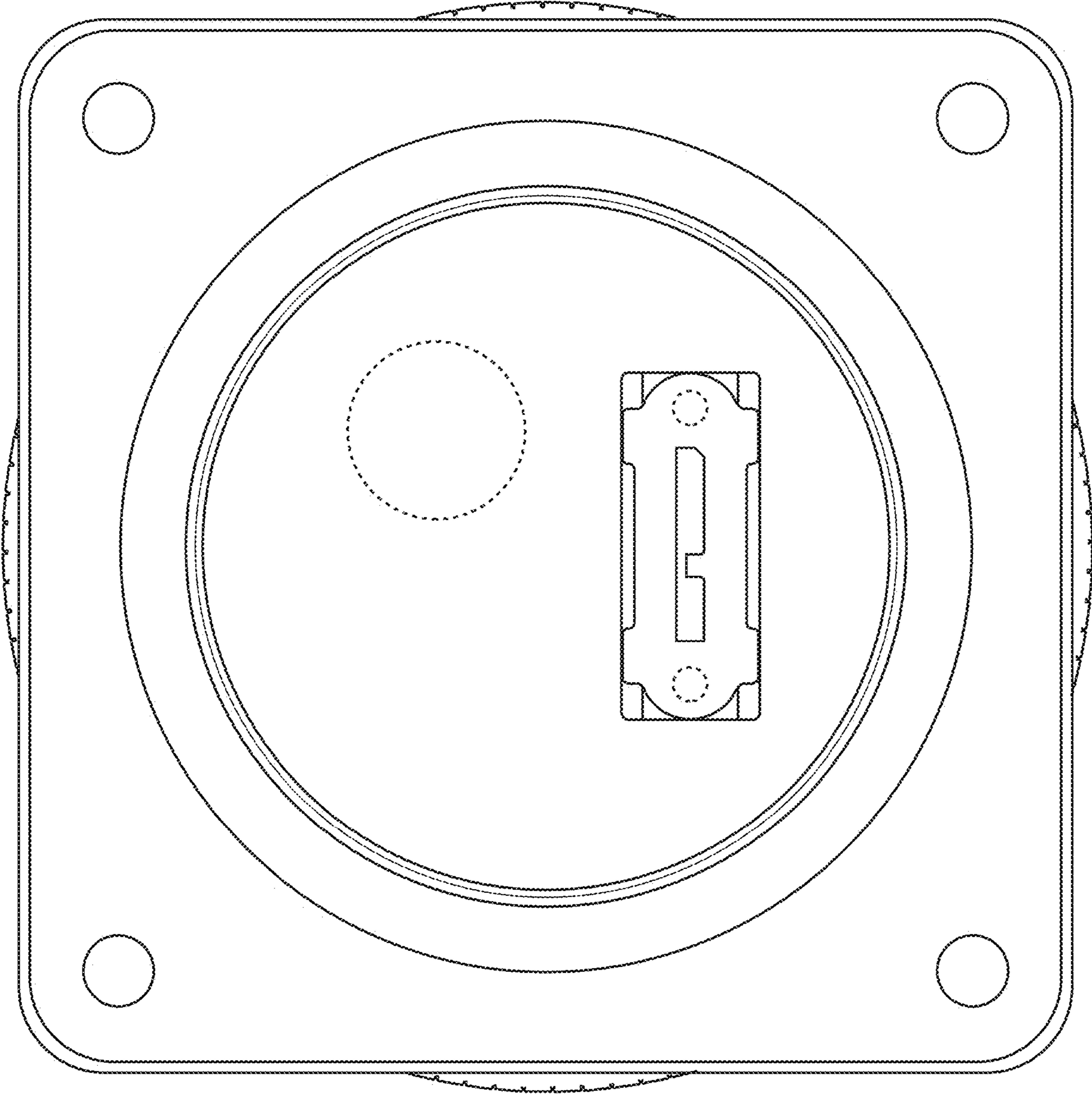


FIG. 2

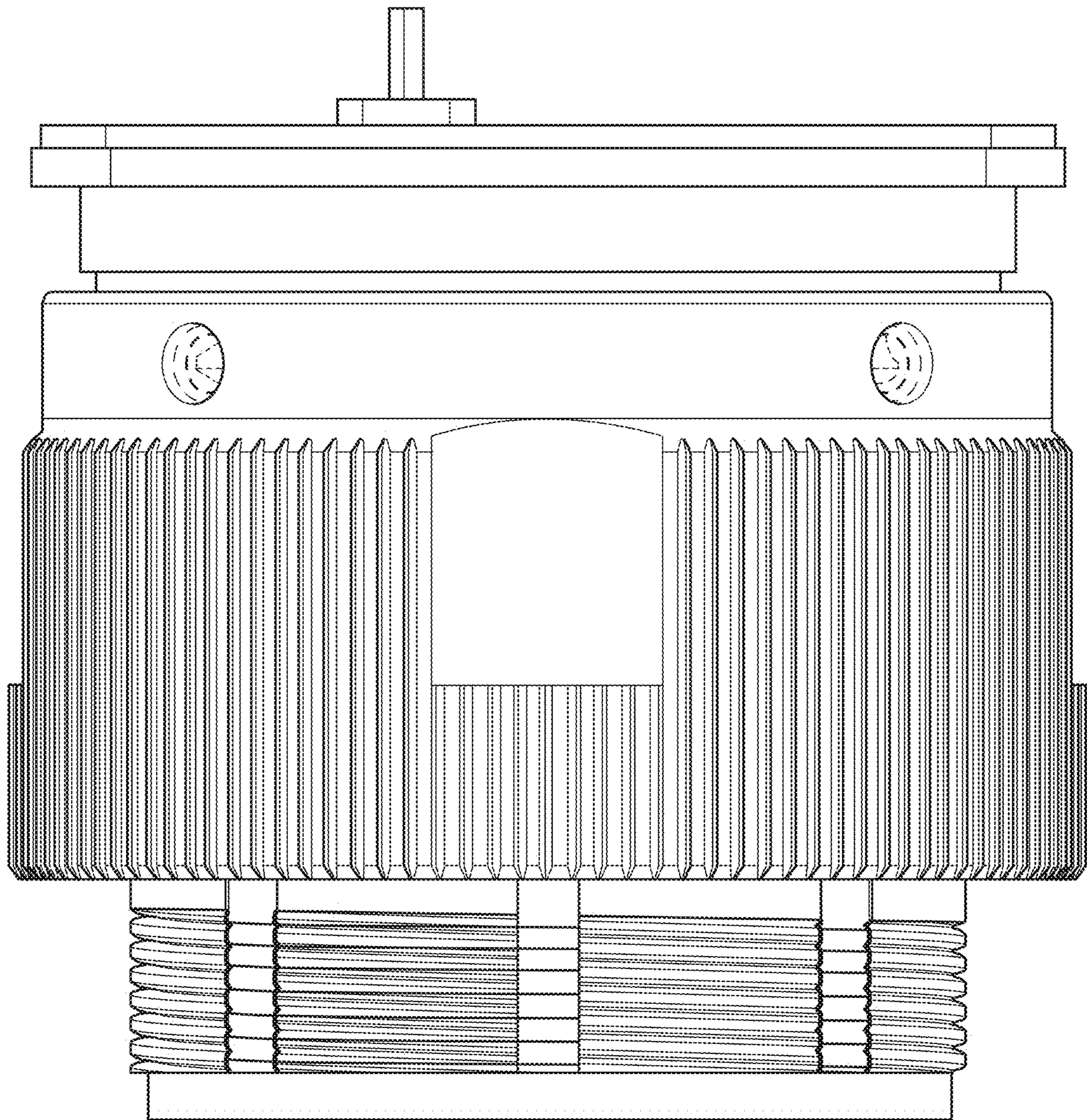


FIG. 3

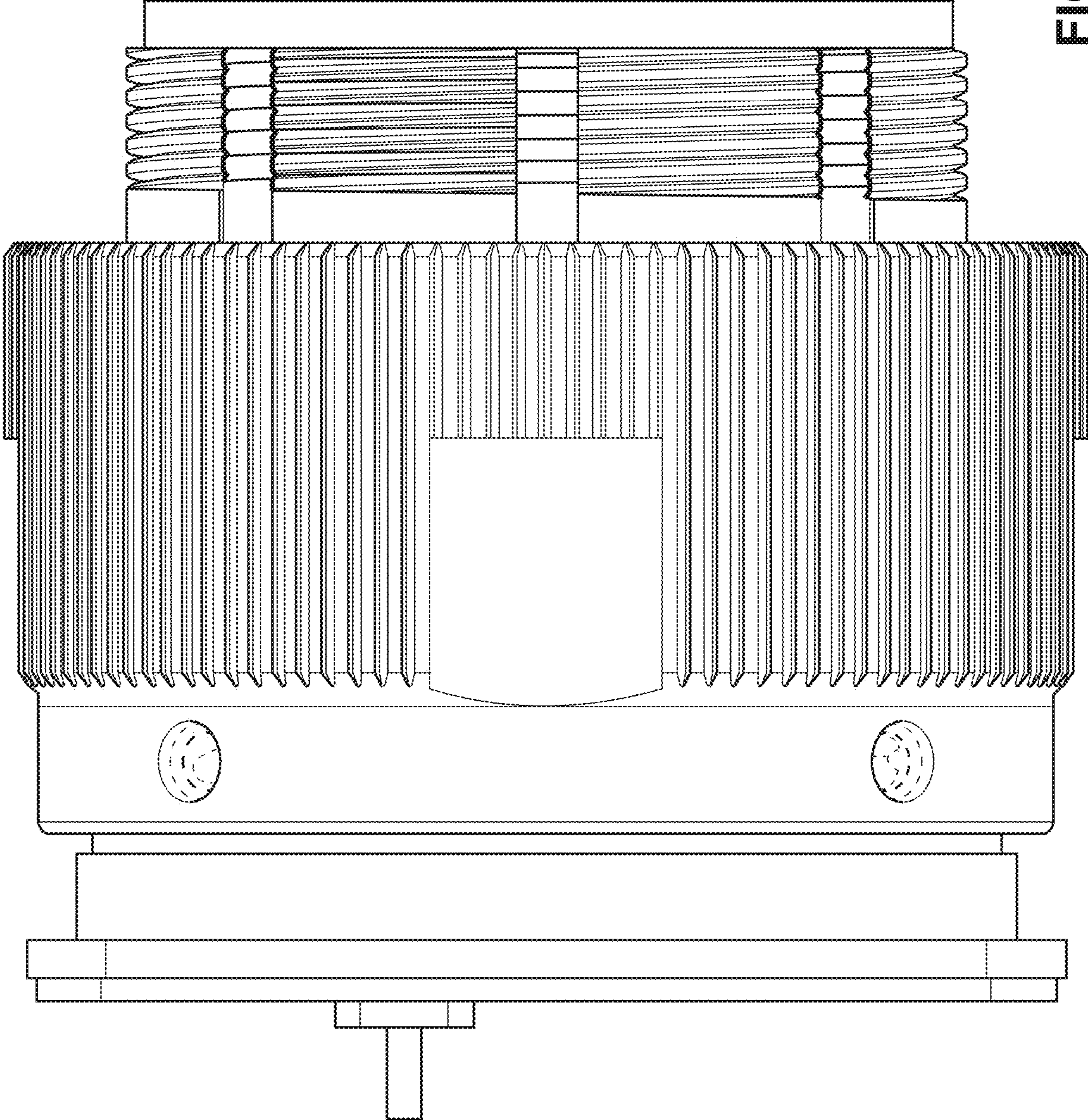


FIG. 4

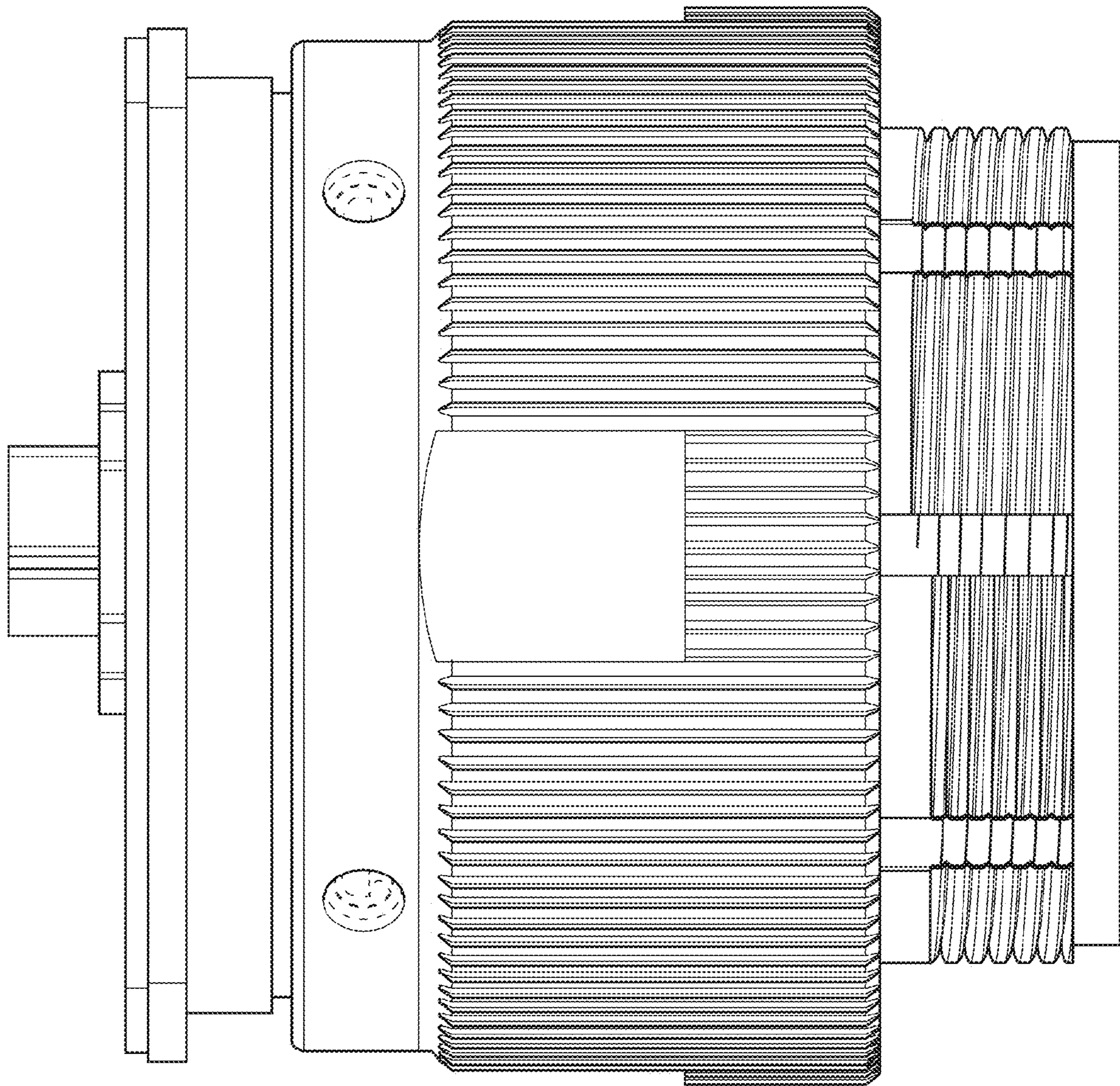


FIG. 5

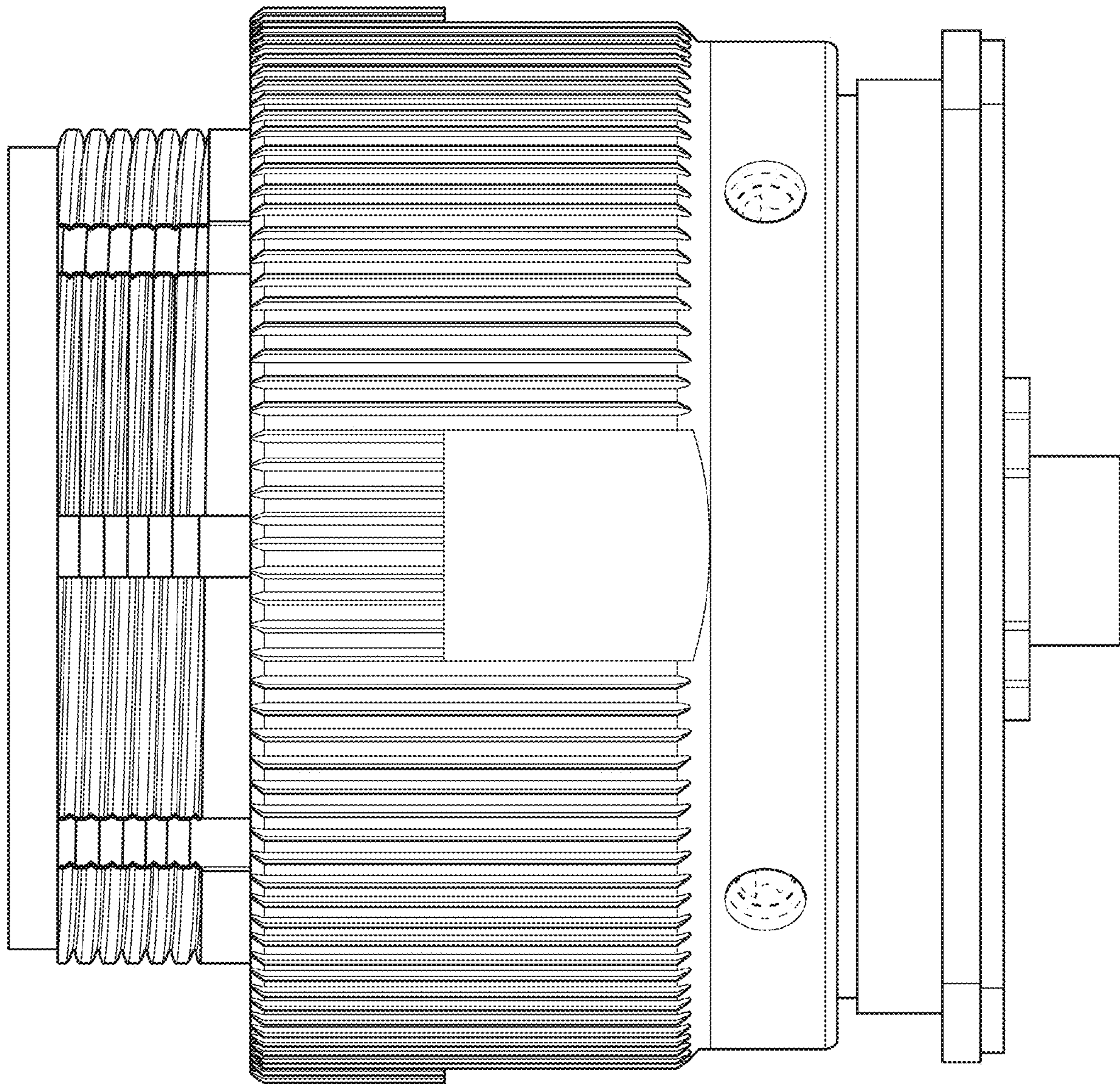


FIG. 6