



US00D903597S

(12) **United States Design Patent**
Pauken

(10) **Patent No.:** **US D903,597 S**

(45) **Date of Patent:** **** Dec. 1, 2020**

(54) **WHEEL**

(71) Applicant: **Champion Power Equipment, Inc.**,
Santa Fe Springs, CA (US)

(72) Inventor: **Greg Pauken**, Santa Fe Springs, CA
(US)

(73) Assignee: **Champion Power Equipment, Inc.**,
Santa Fe Springs, CA (US)

(**) Term: **15 Years**

(21) Appl. No.: **29/706,440**

(22) Filed: **Sep. 20, 2019**

(51) **LOC (12) Cl.** **13-01**

(52) **U.S. Cl.**
USPC **D13/122**

(58) **Field of Classification Search**

USPC D13/101, 102, 103, 107, 108, 109, 110,
D13/112, 113, 114, 116, 119, 122, 184,
D13/199; D12/204, 208, 209, 210, 500,
D12/501, 502, 509

CPC H01M 10/44; H01M 10/46; H01M 10/425;
Y02B 10/12; Y02B 10/20; Y02B 10/24;
H02J 7/34; H02J 7/35; H02J 7/42; H02J
7/44; H02J 7/54; H02J 7/0003; Y02T
90/122; Y02T 90/128; Y02T 90/163;
F02B 63/04; F02B 63/048; F02B 75/16;
F02B 2063/045; F02B 2063/046; F02B
2063/048; B60B 7/00; B60B 7/01; B60B
7/02; B60B 7/04

See application file for complete search history.

(56) **References Cited**

U.S. PATENT DOCUMENTS

D301,865 S * 6/1989 McIntosh D12/204
D481,908 S * 11/2003 Choi D7/402

D509,795 S * 9/2005 Buck D13/116
D547,593 S * 7/2007 May D7/334
D570,777 S * 6/2008 Glass D13/116
D727,821 S * 4/2015 Vena D12/204
2006/0076779 A1* 4/2006 Craig F02B 63/04
290/1 A

OTHER PUBLICATIONS

https://www.amazon.com/Champion-Folding-Never-Flat-4750-Watt-Generators/dp/B001QVQKJ2/ref=sr_1_1?dchild=1&keywords=Champion+Wheel+Kit+with+Folding+Handle&qid=1595250782&sr=8-1 Mar. 13, 2010 (Year: 2010).*

* cited by examiner

Primary Examiner — Derrick E Holland

(74) *Attorney, Agent, or Firm* — Stetina Brunda Garred & Brucker

(57) **CLAIM**

The ornamental design for a wheel, as shown and described.

DESCRIPTION

FIG. 1 is a front perspective view showing a wheel of the present invention;

FIG. 2 is a front view thereof;

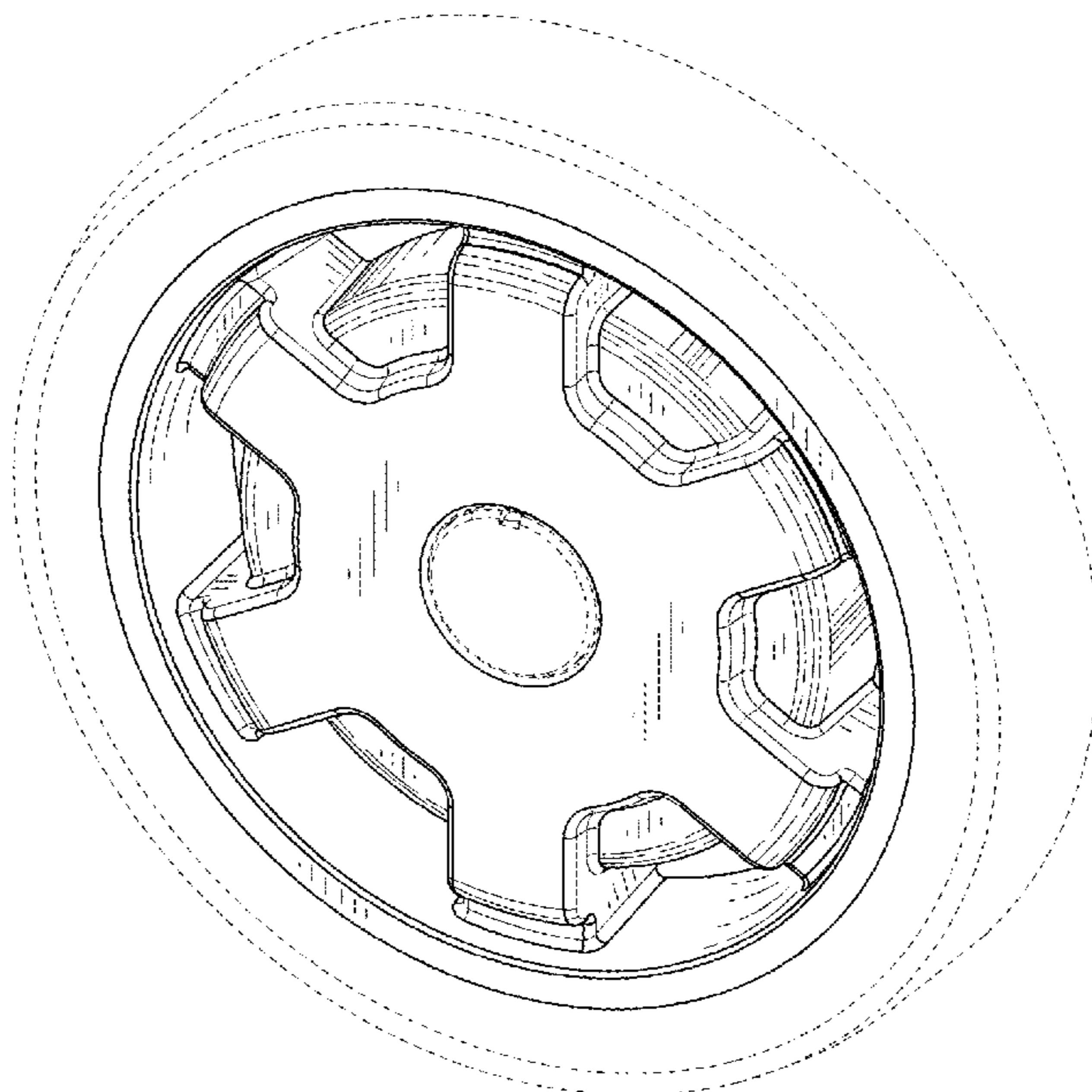
FIG. 3 is a top view thereof;

FIG. 4 is a rear view thereof; and,

FIG. 5 is a left side view thereof.

The broken lines shown represent the portions of the wheel that form no part of the claimed design.

1 Claim, 2 Drawing Sheets



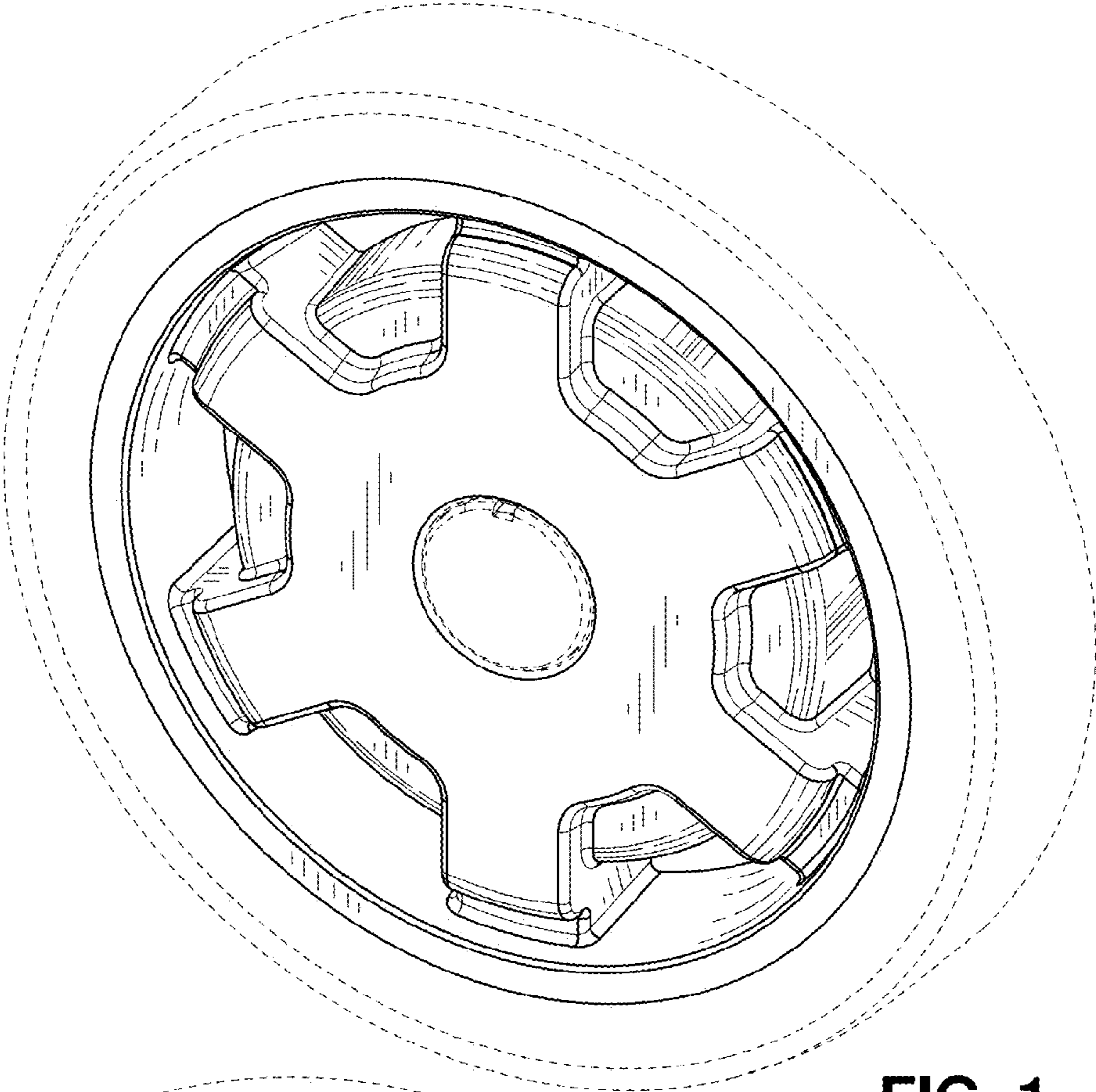


FIG. 1

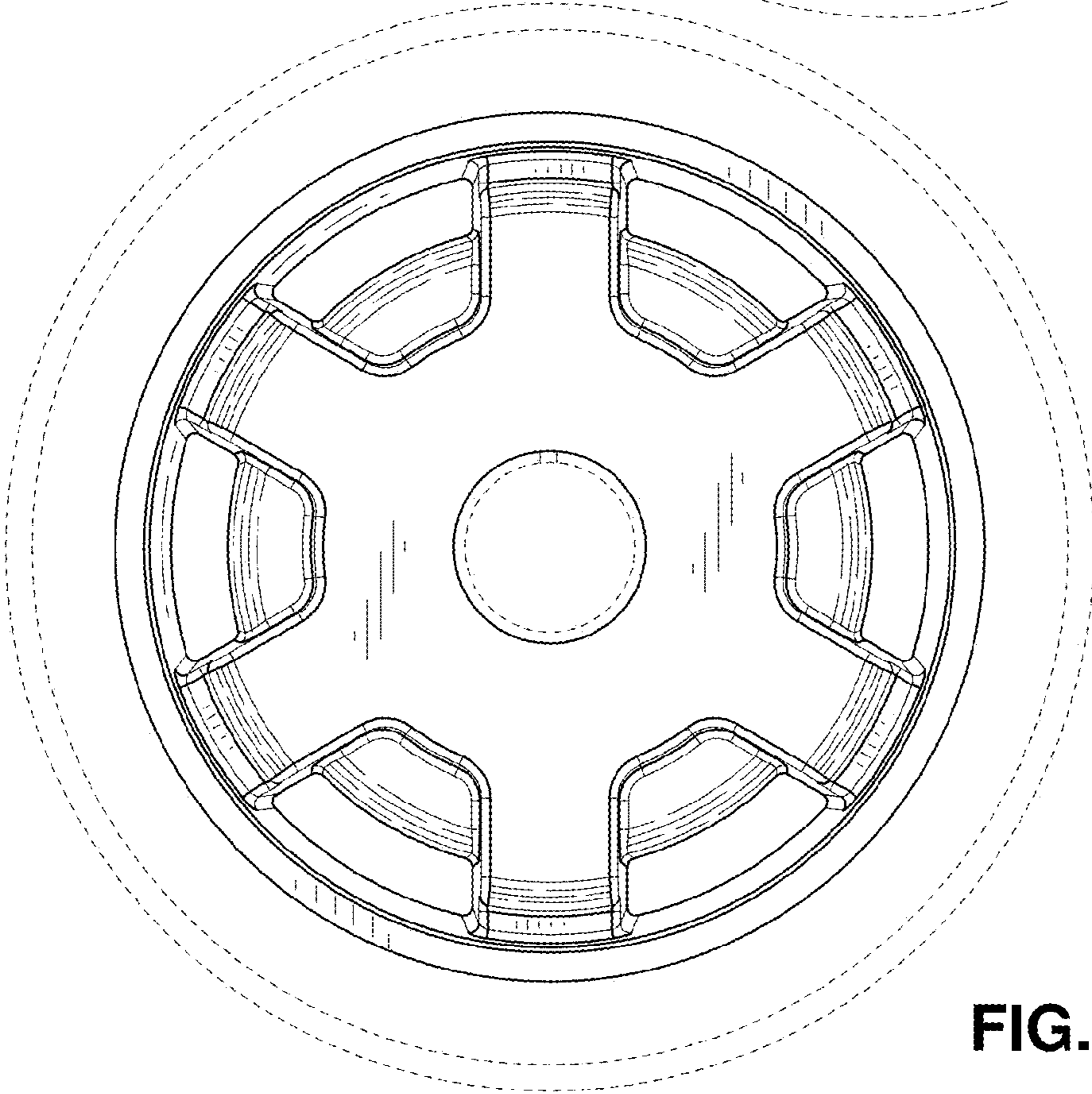


FIG. 2

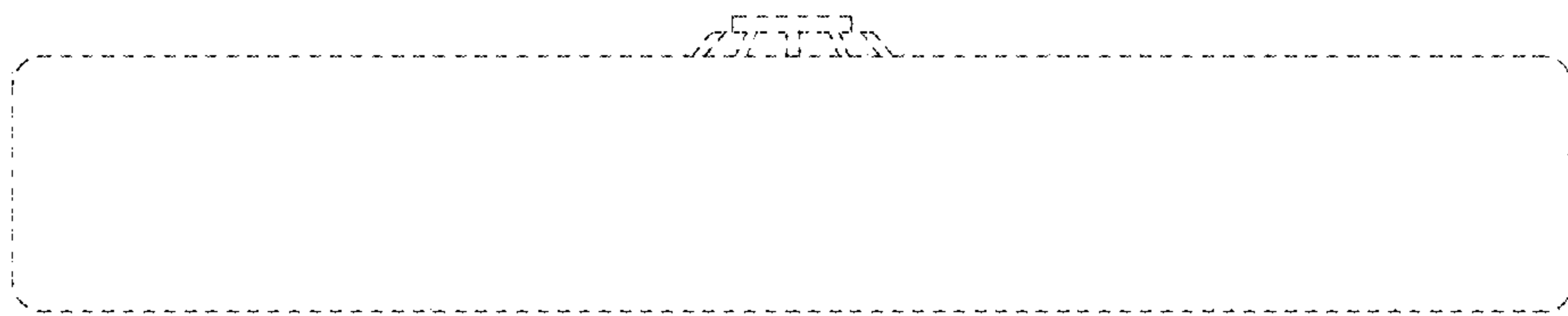


FIG. 3

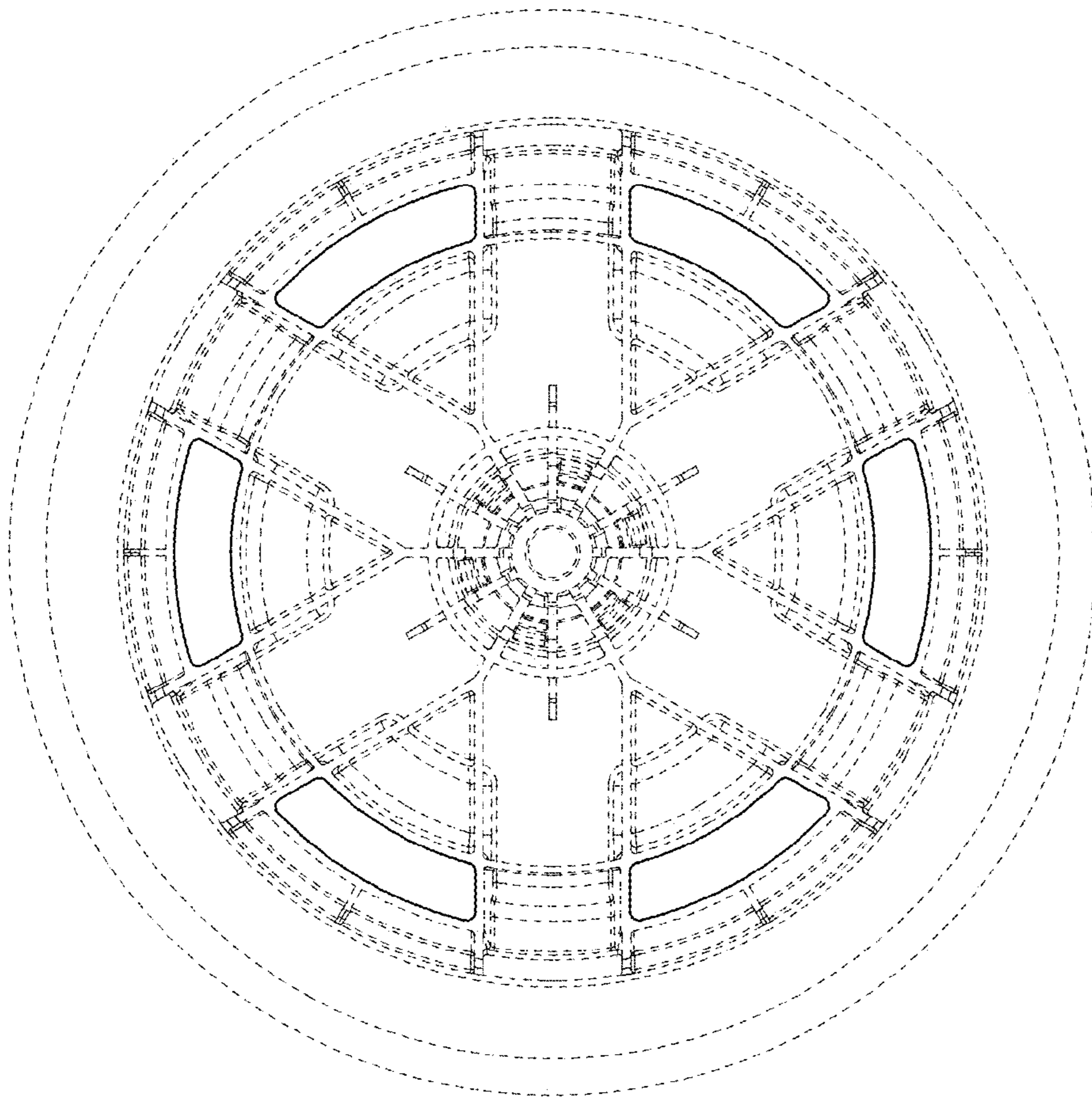


FIG. 4

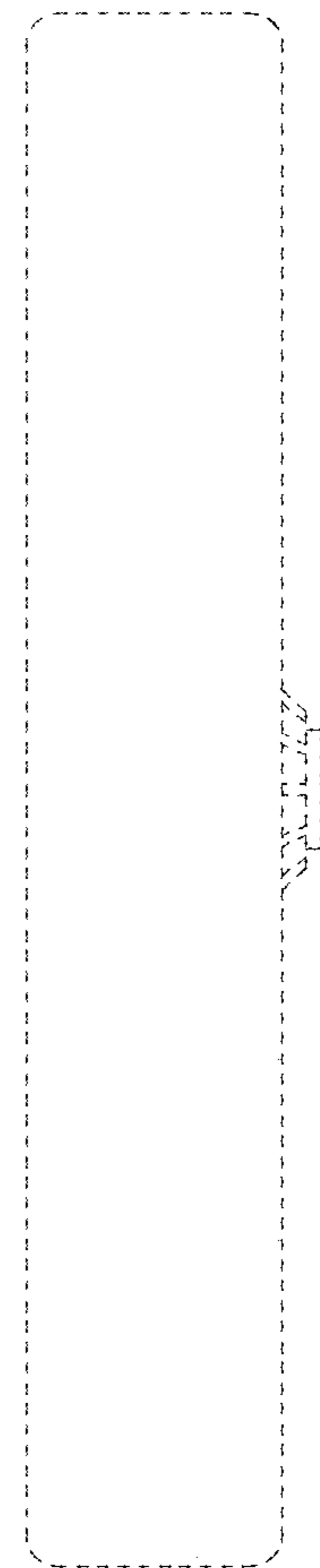


FIG. 5