



US00D903595S

(12) **United States Design Patent**  
**Morehead**

(10) **Patent No.:** **US D903,595 S**

(45) **Date of Patent:** **\*\* Dec. 1, 2020**

(54) **POWER TAKE OFF ADAPTER**

(71) Applicant: **Propulsion Systems, Inc.**, Seattle, WA (US)

(72) Inventor: **Scott Morehead**, Seattle, WA (US)

(73) Assignee: **PROPULSION SYSTEMS, INC.**, Seattle, WA (US)

(\*\*) Term: **15 Years**

(21) Appl. No.: **29/657,968**

(22) Filed: **Jul. 26, 2018**

(51) **LOC (12) Cl.** ..... **13-01**

(52) **U.S. Cl.**  
USPC ..... **D13/122**

(58) **Field of Classification Search**  
USPC ..... D13/118, 122, 112, 113, 114, 184, 199;  
D15/1, 3, 5, 7, 199; 74/606 R, 609;  
310/10, 40 R, 42, 51, 58, 71, 80, 83, 85,  
310/89, 91, 109, 236, 239, 254; 318/245,  
318/255; D8/349, 352, 354  
CPC .. H02K 5/04; H02K 5/10; H02K 5/22; H02K  
5/148; H02K 29/14; H02P 6/06; F28F  
1/20; F16D 13/58; F16D 13/70; F16D  
13/385; Y01T 403/00; Y01T 403/19  
See application file for complete search history.

(56) **References Cited**

**U.S. PATENT DOCUMENTS**

D205,691 S \* 9/1966 Rulliffson ..... D15/7  
D490,819 S \* 6/2004 Wahlberg ..... D15/7

D588,537 S \* 3/2009 Allen ..... D13/122  
D593,641 S \* 6/2009 Plank ..... D23/259  
D635,934 S \* 4/2011 Shen ..... D13/155  
D710,306 S \* 8/2014 Ohashi ..... D13/122  
2012/0181134 A1\* 7/2012 Roberts ..... F16D 13/70  
192/66.3

\* cited by examiner

*Primary Examiner* — Derrick E Holland

(74) *Attorney, Agent, or Firm* — Karr Tuttle Campbell;  
Paul Heynssens

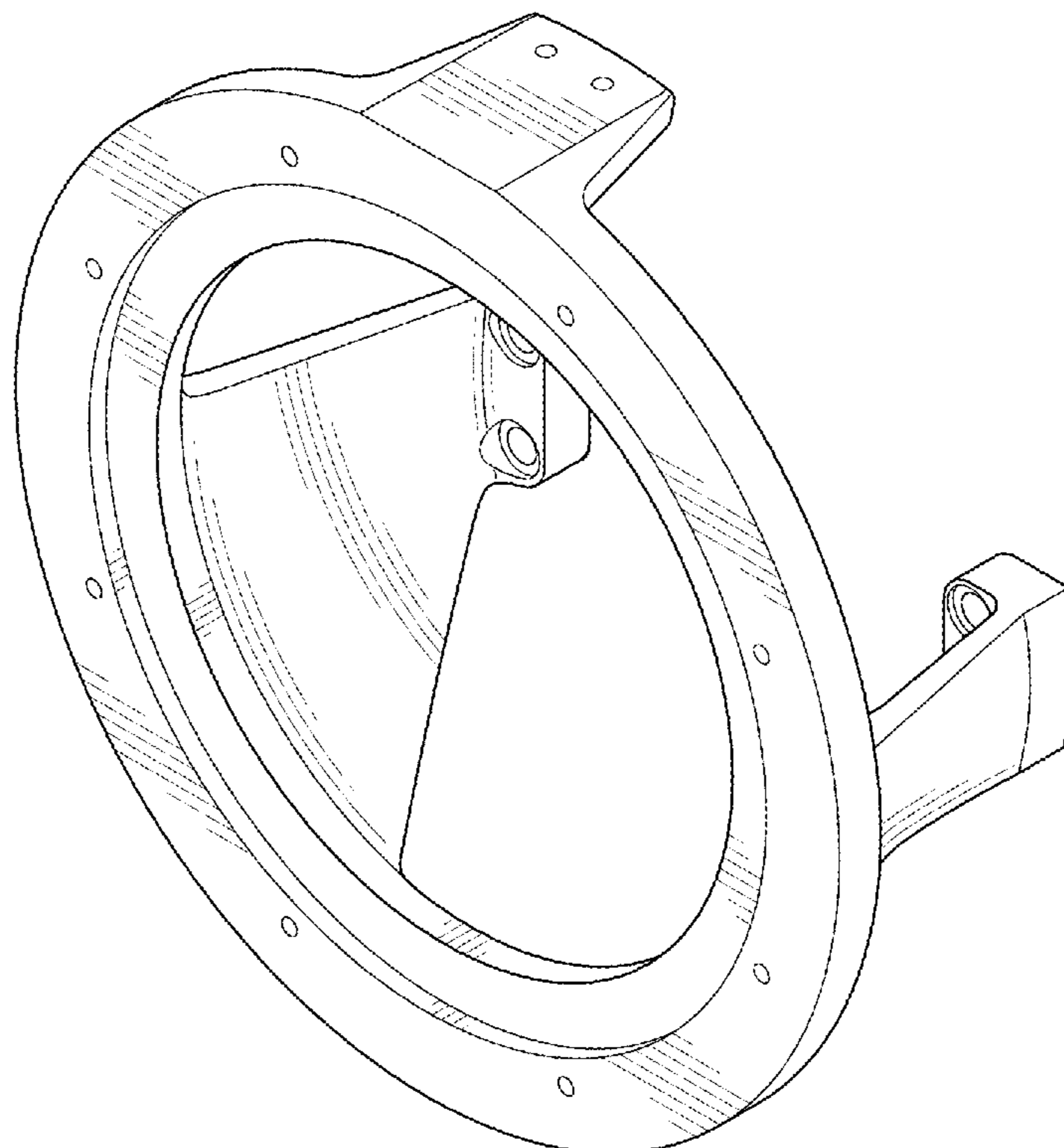
(57) **CLAIM**

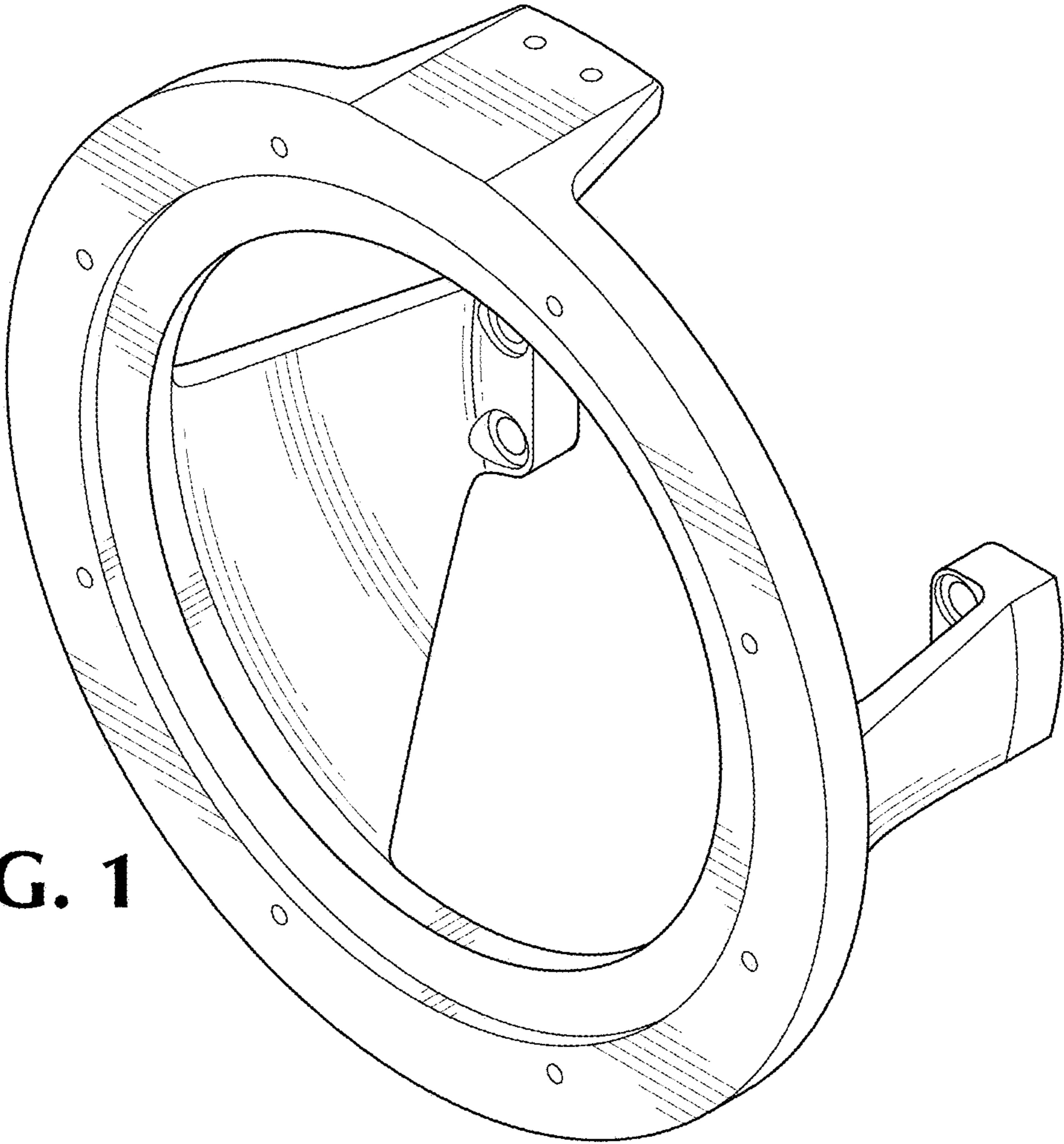
The ornamental design for a power take off adapter, as shown.

**DESCRIPTION**

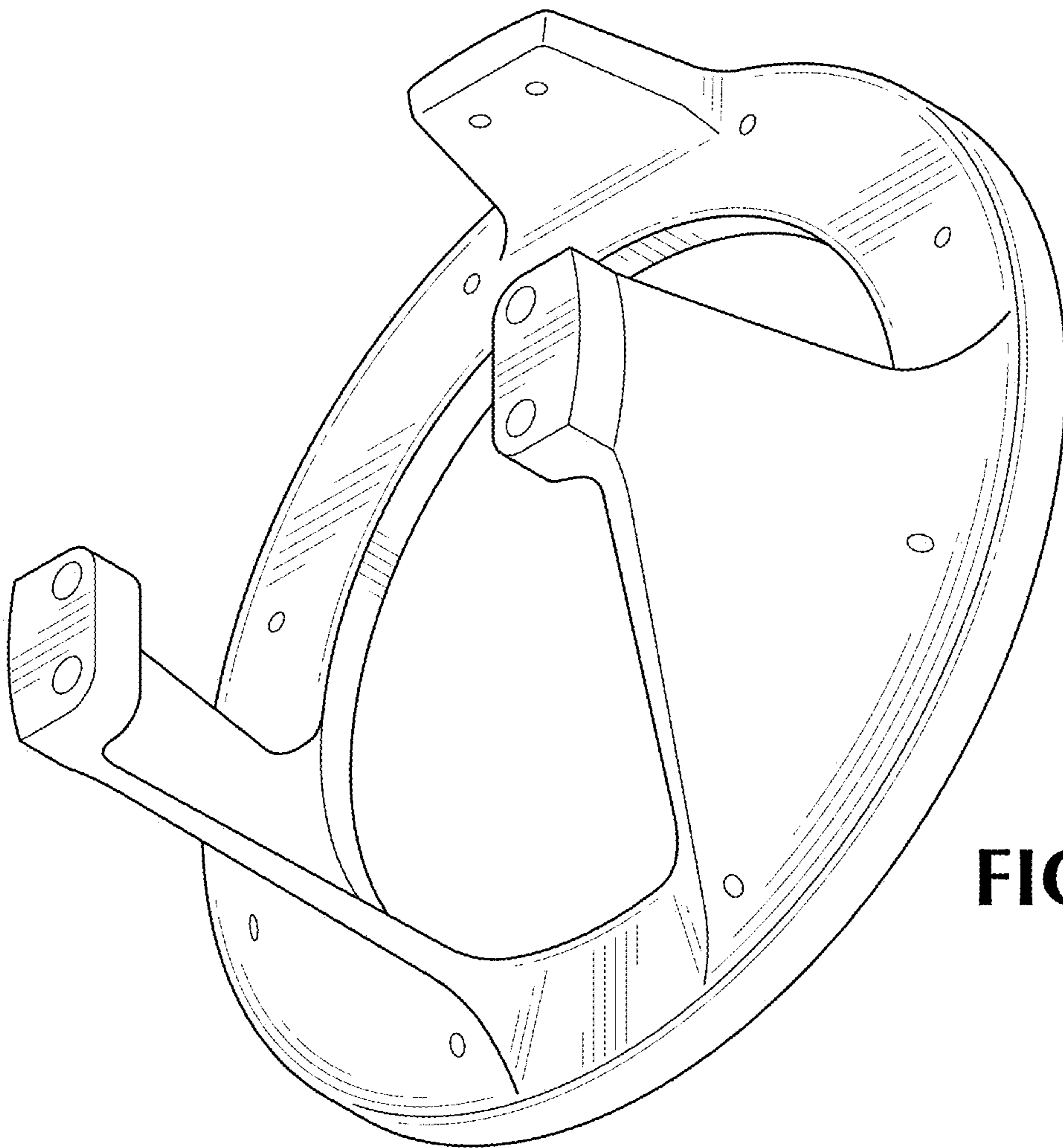
FIG. 1 is a front perspective view of a power take off adapter showing my new design.  
FIG. 2 is a rear perspective view of the power take off adapter.  
FIG. 3 is a front view thereof.  
FIG. 4 is a back view thereof.  
FIG. 5 is a right view thereof.  
FIG. 6 is a left view thereof.  
FIG. 7 is a top view thereof; and,  
FIG. 8 is a bottom view thereof.

**1 Claim, 6 Drawing Sheets**

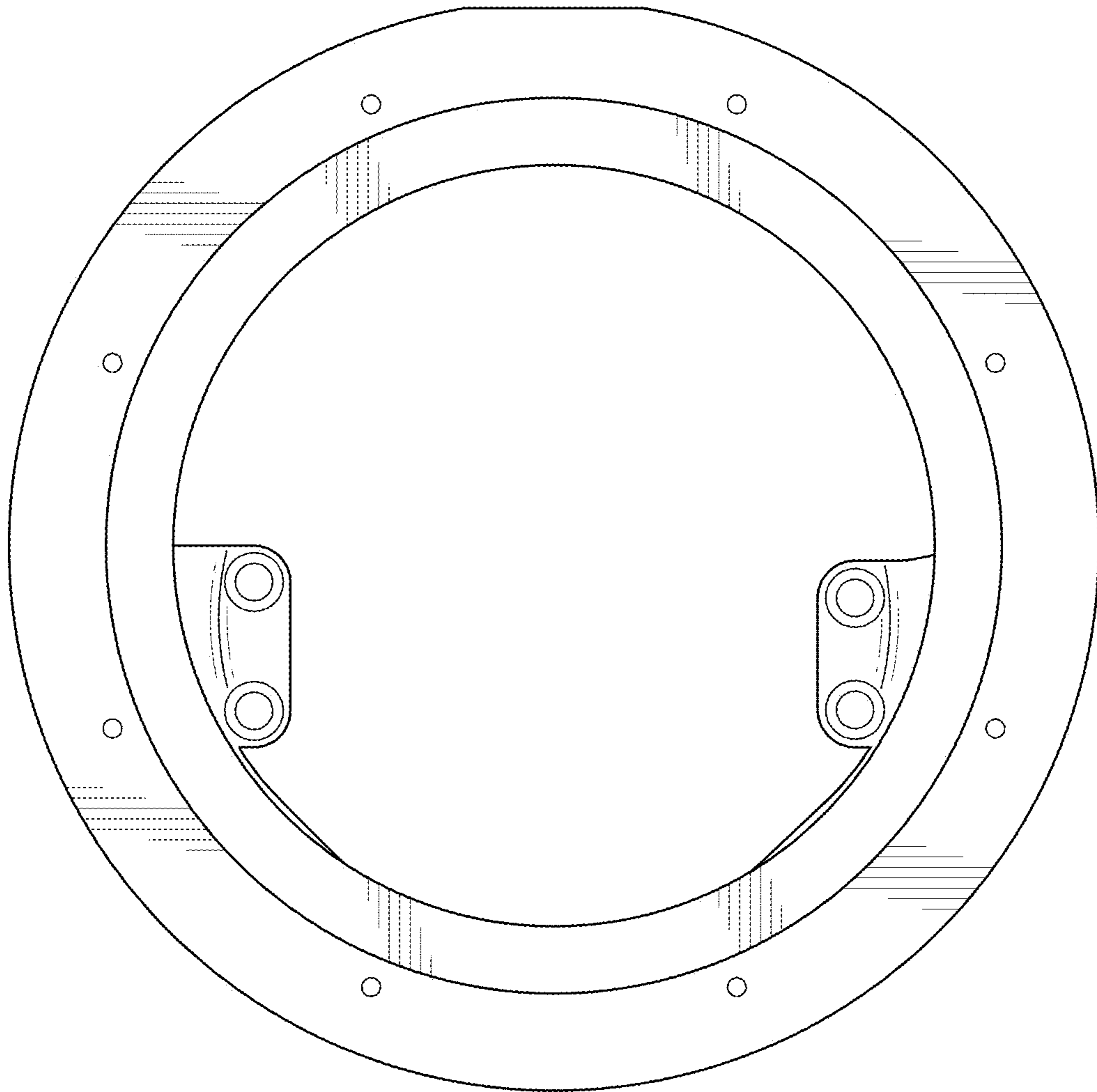




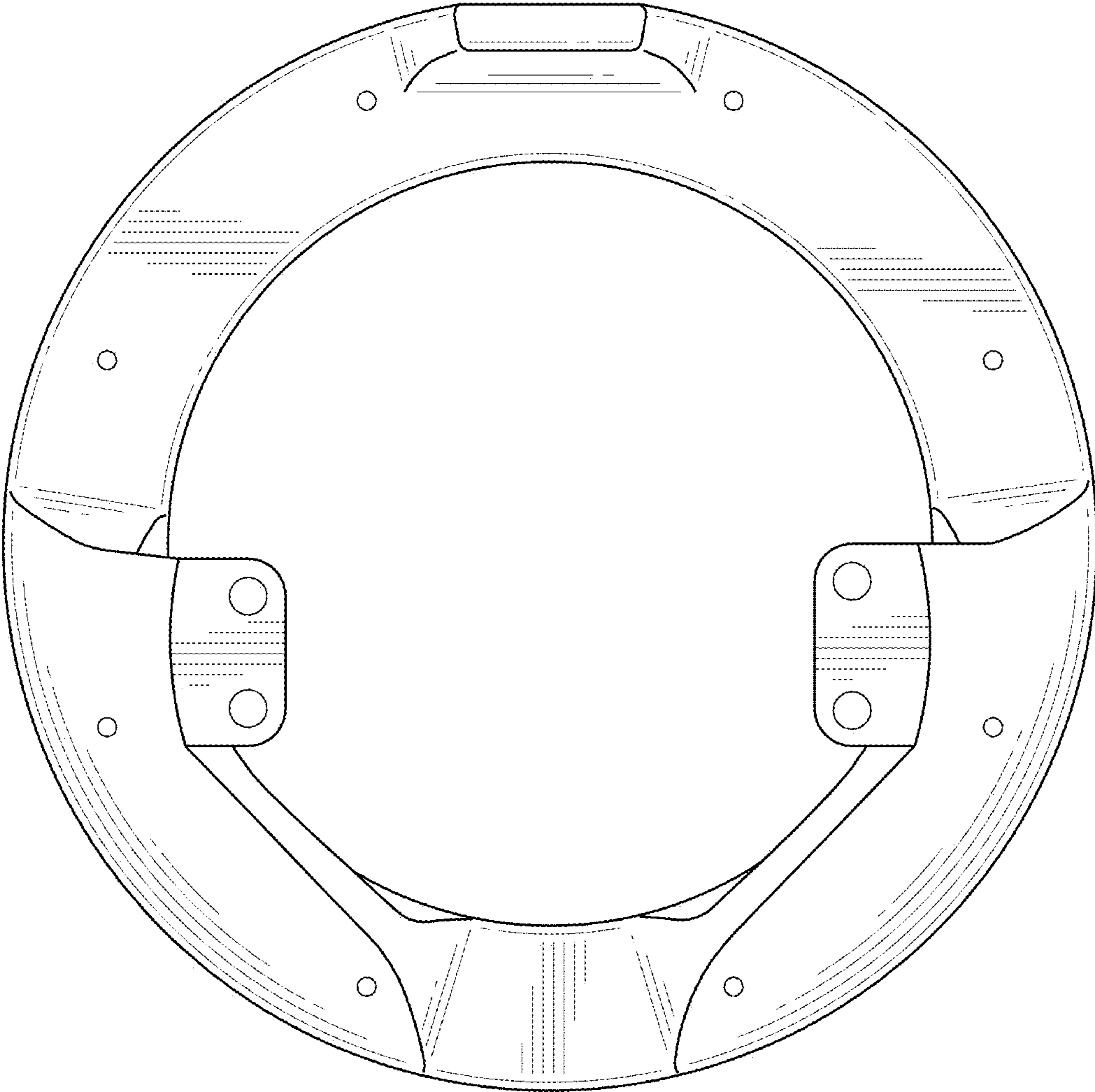
**FIG. 1**



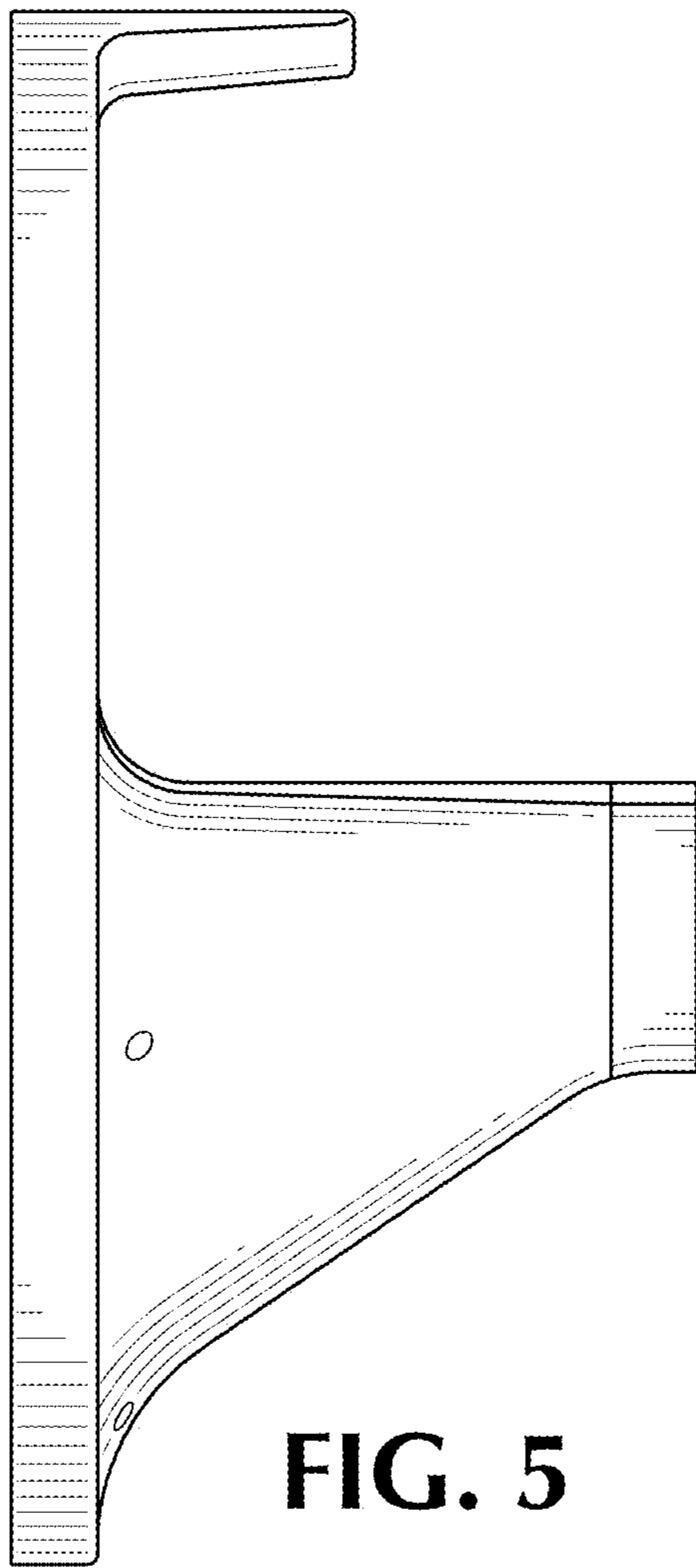
**FIG. 2**



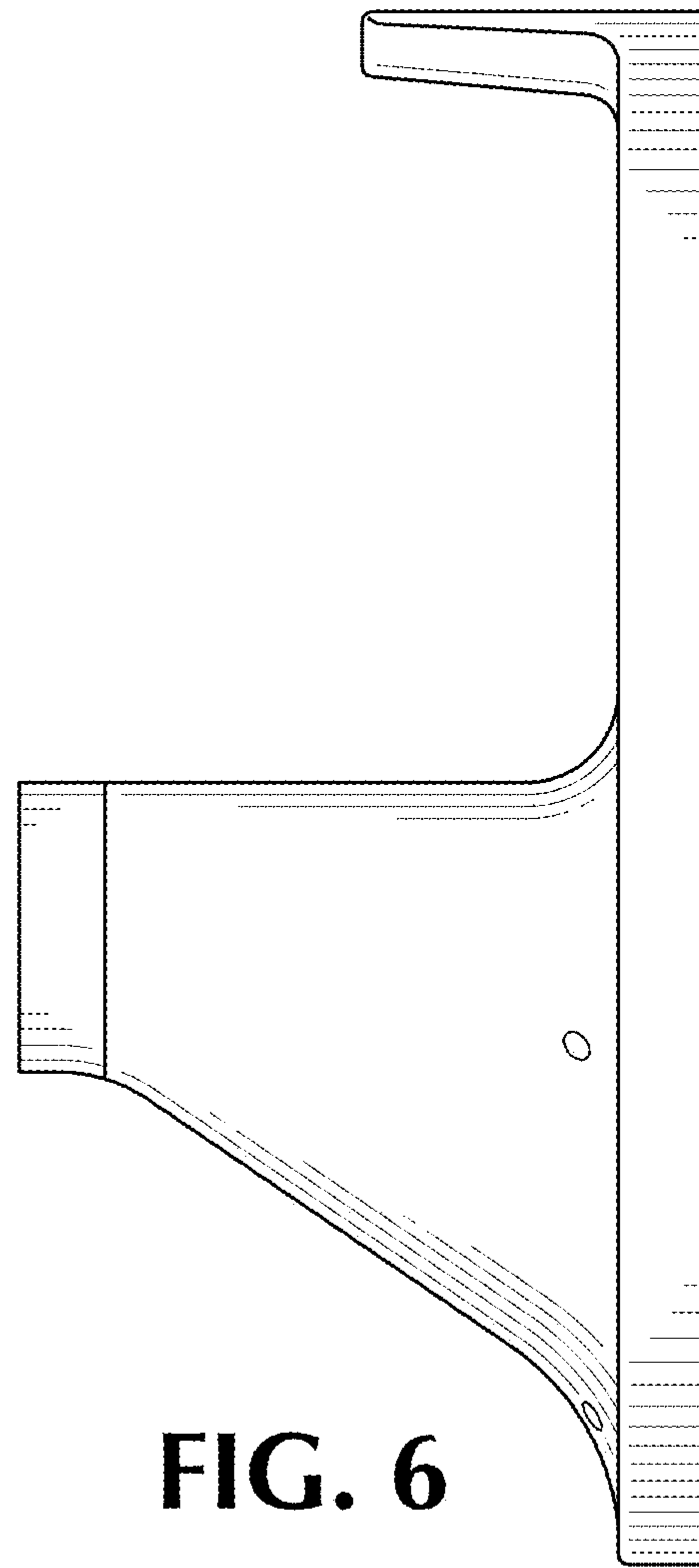
**FIG. 3**



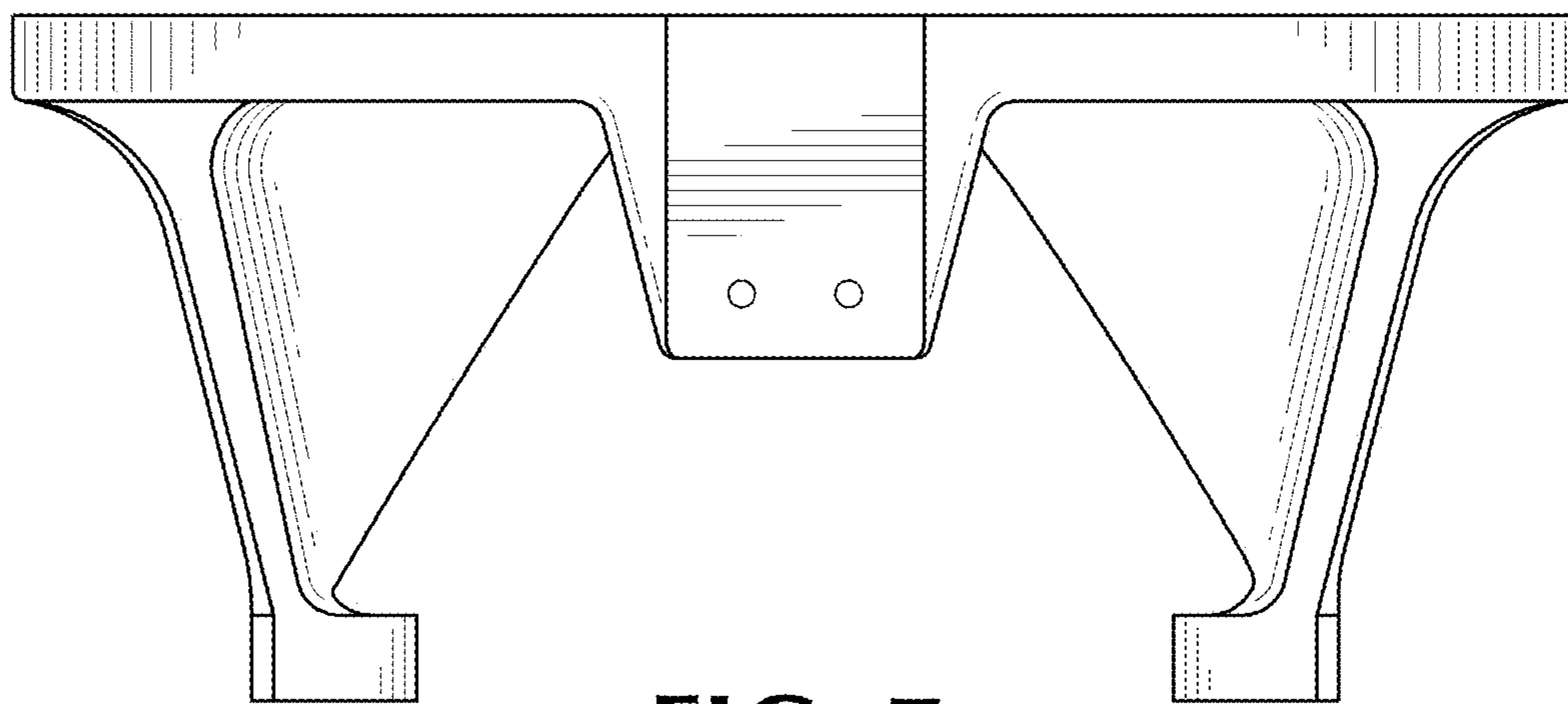
**FIG. 4**



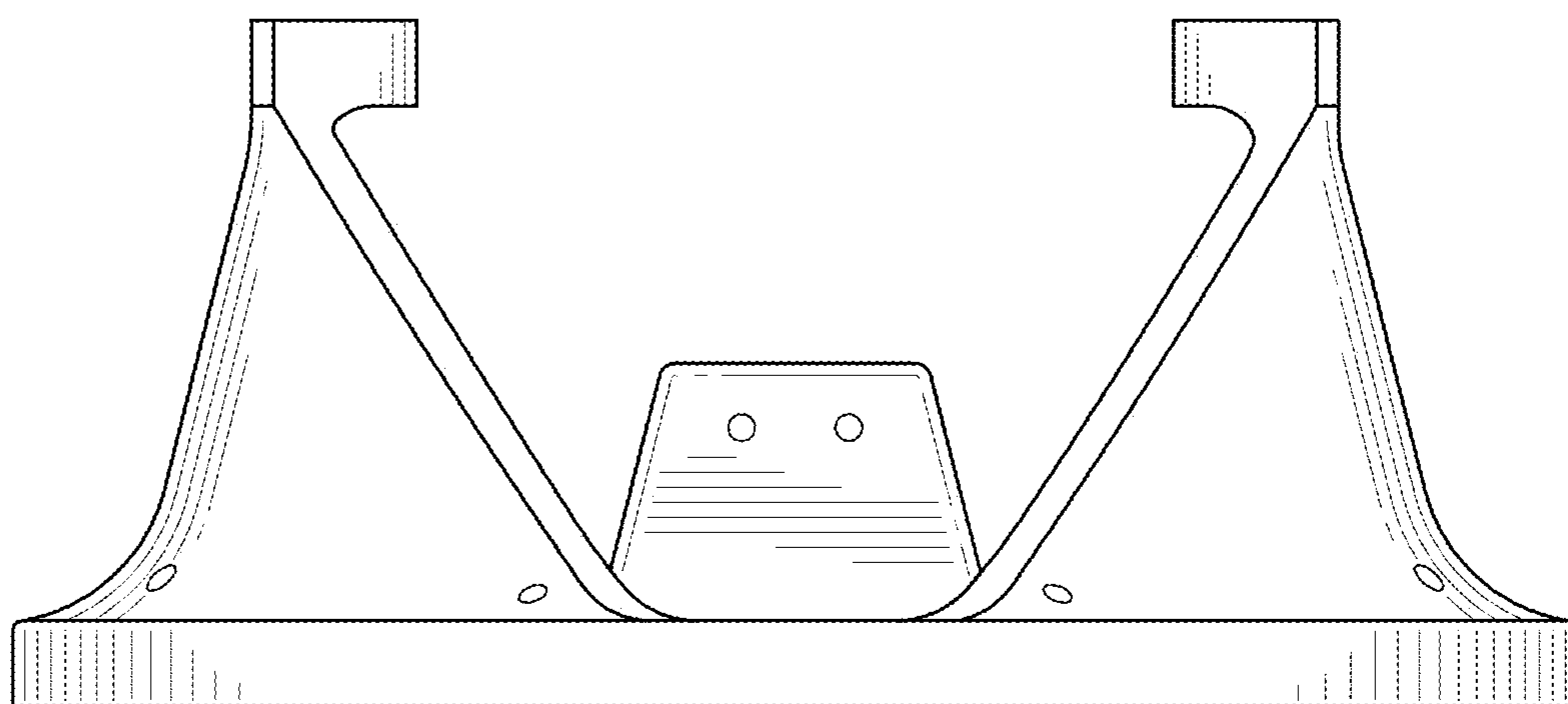
**FIG. 5**



**FIG. 6**



**FIG. 7**



**FIG. 8**