



US00D903592S

(12) **United States Design Patent** (10) **Patent No.:** **US D903,592 S**
Hoshida et al. (45) **Date of Patent:** **** *Dec. 1, 2020**

(54) **AUTOMOBILE BATTERY CHARGER COVER**

(71) Applicant: **DENSO CORPORATION**, Kariya (JP)

(72) Inventors: **Hiroki Hoshida**, Kariya (JP); **Yuji Kawahara**, Kariya (JP)

(73) Assignee: **DENSO CORPORATION**, Kariya (JP)

(*) Notice: This patent is subject to a terminal disclaimer.

(**) Term: **15 Years**

(21) Appl. No.: **29/682,250**

(22) Filed: **Mar. 4, 2019**

(30) **Foreign Application Priority Data**

Oct. 22, 2018 (JP) 2018-023142

(51) **LOC (12) Cl.** **13-02**

(52) **U.S. Cl.**
USPC **D13/118; D15/5**

(58) **Field of Classification Search**
USPC D13/107, 110, 112, 118, 122, 126, 156,
D13/162; D14/440-446; D15/1-7;
D12/126, 176

(Continued)

(56) **References Cited**

U.S. PATENT DOCUMENTS

2,113,431 A * 4/1938 Milliken A45D 40/00
162/114
2,810,071 A * 10/1957 Race H03F 5/00
455/253.2

(Continued)

FOREIGN PATENT DOCUMENTS

JP 1628409 S 4/2019

OTHER PUBLICATIONS

Denso Design, Elexcore, (Sep. 25, 2018) Youtube URL:<https://www.youtube.com/watch?time_continue=2&v=izmAEBaOfNY&feature=emb_logo> (Year: 2018).*

(Continued)

Primary Examiner — Sheryl Lane

Assistant Examiner — Mark T. Philipps

(74) *Attorney, Agent, or Firm* — Oliff PLC

(57) **CLAIM**

The ornamental design for an automobile battery charger cover, as shown and described.

DESCRIPTION

FIG. 1 is a front elevational view of the automobile battery charger cover;

FIG. 2 is a rear elevational view thereof;

FIG. 3 is a top plan view thereof;

FIG. 4 is a bottom plan view thereof;

FIG. 5 is a right-side elevational view thereof;

FIG. 6 is a left-side elevational view thereof;

FIG. 7 is a front, left-side, top perspective view thereof;

FIG. 8 is a front, left-side, top perspective view thereof;

FIG. 9 is a front, right-side, top perspective view thereof;

FIG. 10 is a cross-sectional view thereof taken along line 10-10 in FIG. 1;

FIG. 11 is a cross-sectional view thereof taken along line 11-11 in FIG. 1;

FIG. 12 is an enlarged view of area 12 in FIG. 1;

FIG. 13 is an enlarged view of area 13 in FIG. 1;

FIG. 14 is an enlarged view of area 14 in FIG. 10;

FIG. 15 is an enlarged view of area 15 in FIG. 10;

FIG. 16 is an enlarged view of area 16 in FIG. 11;

FIG. 17 is an enlarged view of area 17 in FIG. 11;

FIG. 18 is an enlarged view of area 18 in FIG. 12;

FIG. 19 is an enlarged view of area 19 in FIG. 13;

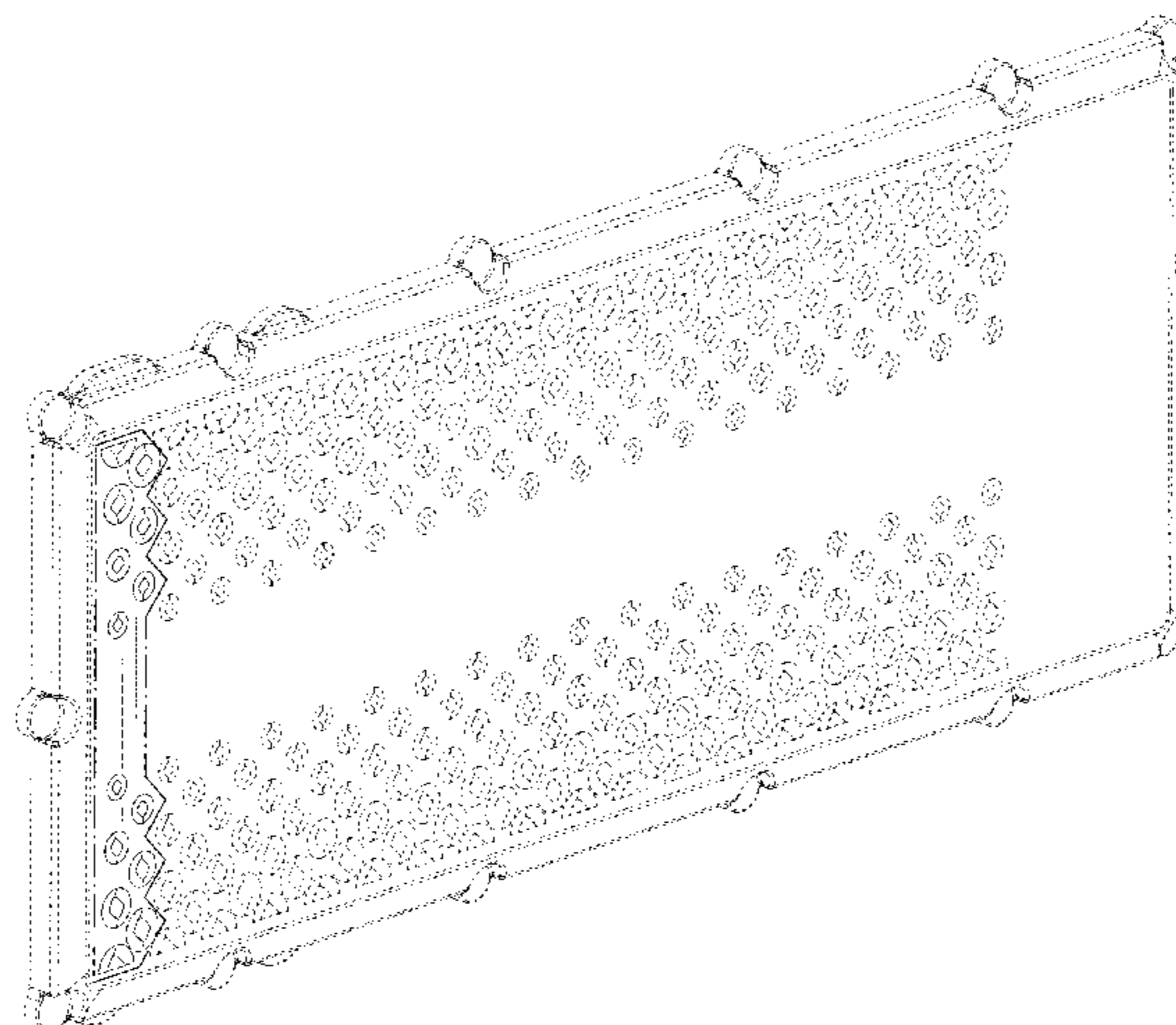
FIG. 20 is an enlarged view of area 20 in FIG. 8;

FIG. 21 is an enlarged view of area 21 in FIG. 8;

FIG. 22 is an enlarged view of area 22 in FIG. 9; and,

FIG. 23 is an enlarged view of area 23 in FIG. 9.

(Continued)



The broken smallest dash lines depict portions of the motor cover that form no part of the claimed design. The wide spaced heavy short dash represents cross-sectional indication lines that form no part of the claimed design. The short spaced long dash lines represent boundaries at enlargement areas that form no part at the claimed design. The dot-dash-chain lines depict boundaries of the claimed subject matter and form no part of the claimed design.

1 Claim, 18 Drawing Sheets

(58) Field of Classification Search

CPC H05K 5/00-06; H05K 7/20; G05D 2201/0213; Y02T 10/7044; Y02T 10/7077; H02M 1/00; H02J 7/00
See application file for complete search history.

(56) References Cited

U.S. PATENT DOCUMENTS

3,208,732 A * 9/1965 Ranson A47J 43/24
366/165.2
4,482,077 A * 11/1984 Henderson A47J 36/06
126/299 C
D313,319 S * 1/1991 Legare D5/53
D314,673 S * 2/1991 Legare D5/53
5,130,891 A * 7/1992 Christie B60R 11/02
330/65
D348,247 S * 6/1994 Cooper D13/110
D389,019 S * 1/1998 Molo D7/678
D419,156 S * 1/2000 Yamazaki D14/188
D424,523 S * 5/2000 Hughes D13/147
D446,477 S * 8/2001 Netz D12/126
D453,140 S * 1/2002 Buzzard D13/112
D483,473 S * 12/2003 Shapiro D23/412
D496,049 S * 9/2004 Heinz D14/444
D500,502 S * 1/2005 Davis D14/441
D500,752 S * 1/2005 Uehara D14/188
D511,777 S * 11/2005 Schmidt D14/441

D516,567 S * 3/2006 Su D14/441
D549,687 S * 8/2007 Ichikawa D14/188
D562,765 S * 2/2008 Tsuzuki D13/110
D584,193 S * 1/2009 Massicotte D12/126
D596,184 S * 7/2009 Sempliner D13/184
D597,652 S * 8/2009 Tang D13/179
D610,125 S * 2/2010 Ichikawa D14/188
D615,557 S * 5/2010 Mayer D15/5
D643,427 S * 8/2011 McGoldrick D14/356
D648,351 S * 11/2011 Michimura D15/5
D654,076 S * 2/2012 Wong D14/371
D656,120 S * 3/2012 Sasaki D14/188
D673,161 S * 12/2012 Kuehn D14/441
D675,964 S * 2/2013 Mirabal D12/126
D679,534 S * 4/2013 Stoddard D6/592
D683,702 S * 6/2013 Kaneshige D13/147
D717,021 S * 11/2014 Dahlquist D2/869
8,898,979 B2 * 12/2014 Besterman H05K 7/1455
312/223.2
D747,683 S * 1/2016 Krivonak D13/110
D766,821 S * 9/2016 Chan D13/107
D811,440 S * 2/2018 Tomlinson D15/5
D813,836 S * 3/2018 Suzuki D14/188
D821,306 S * 6/2018 Liu D13/107
D843,562 S * 3/2019 Eitzman D24/110.6
D853,962 S * 7/2019 Kanarellis D13/110
D861,040 S * 9/2019 Raskin D15/5
10,399,748 B2 * 9/2019 Reinhart B65D 43/0214
D873,402 S * 1/2020 Brandenburg D23/366
2015/0195938 A1 * 7/2015 Witter G06F 1/1656
206/521
2016/0200270 A1 * 7/2016 Tanahashi B60L 50/51
318/503
2016/0227656 A1 * 8/2016 Kang C25D 13/06
2019/0252971 A1 * 8/2019 Kim H02M 1/32
2019/0307002 A1 * 10/2019 Tessier H04N 5/64
2020/0006172 A1 * 1/2020 Otsubo H05K 7/20

OTHER PUBLICATIONS

Kei Niwa @ Days, Denso unveils new brand “Elexcore”, (Oct. 2, 2018), Response URL: <https://response.jp/article/2018/10/02/314583.html?utm_source=twitter&utm_medium=social> (Year: 2018).*

* cited by examiner

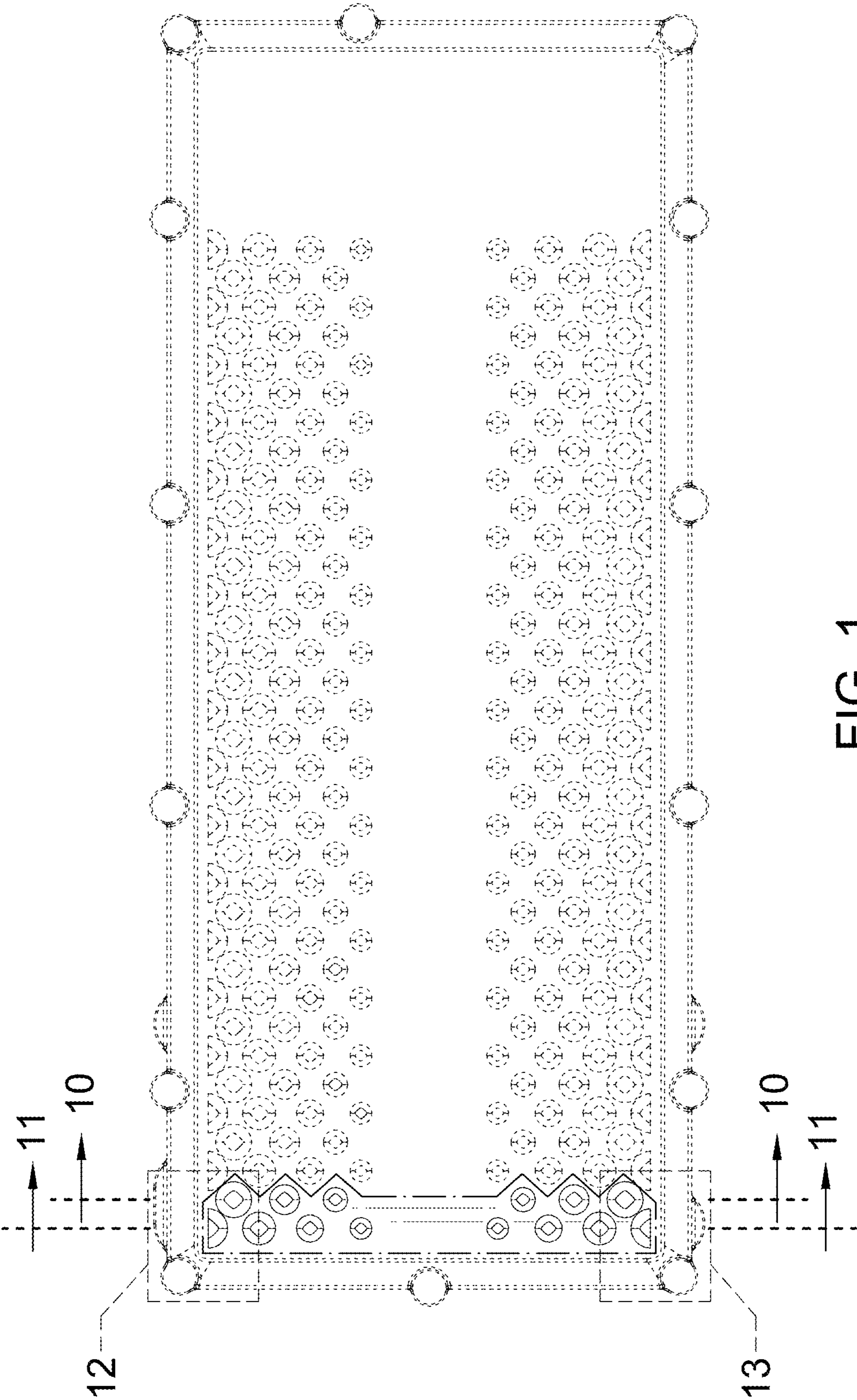


FIG. 1

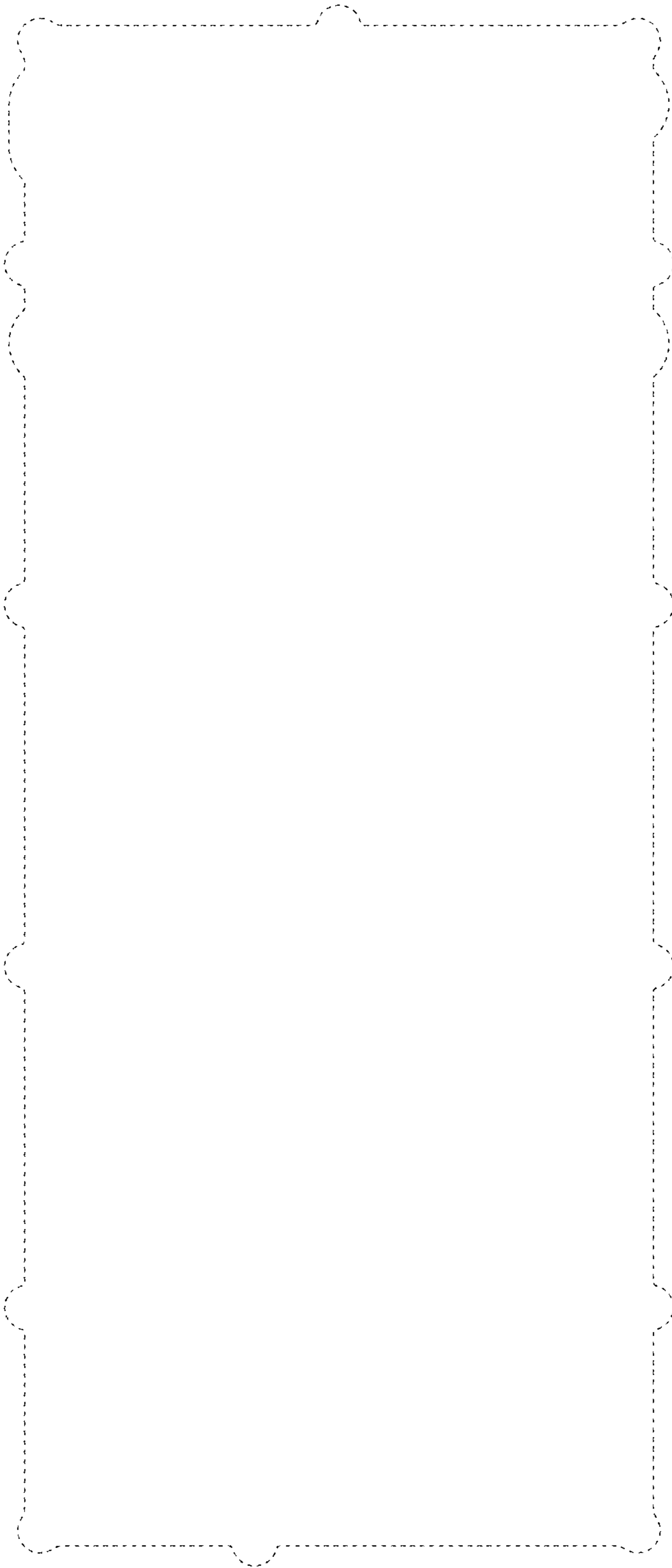


FIG. 2

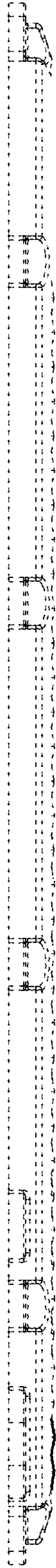


FIG. 3

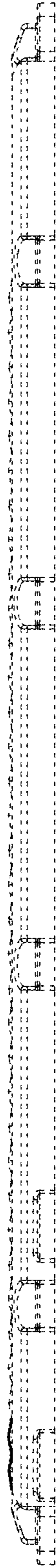


FIG. 4

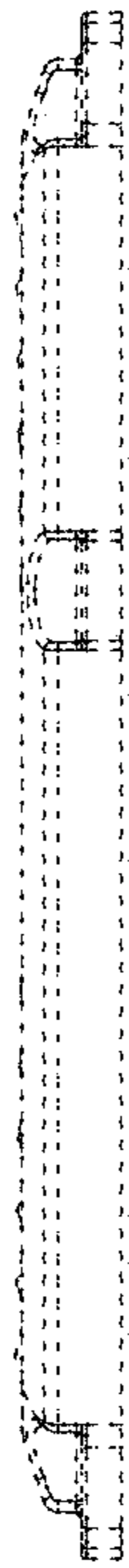


FIG. 5

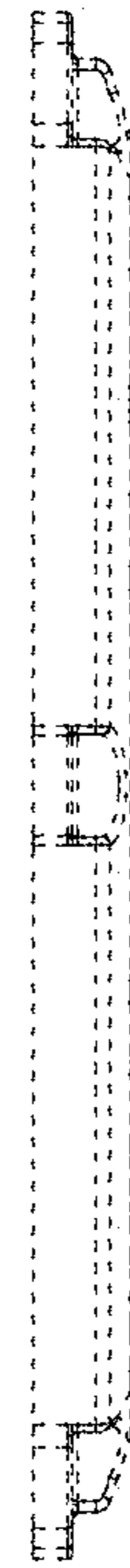


FIG. 6

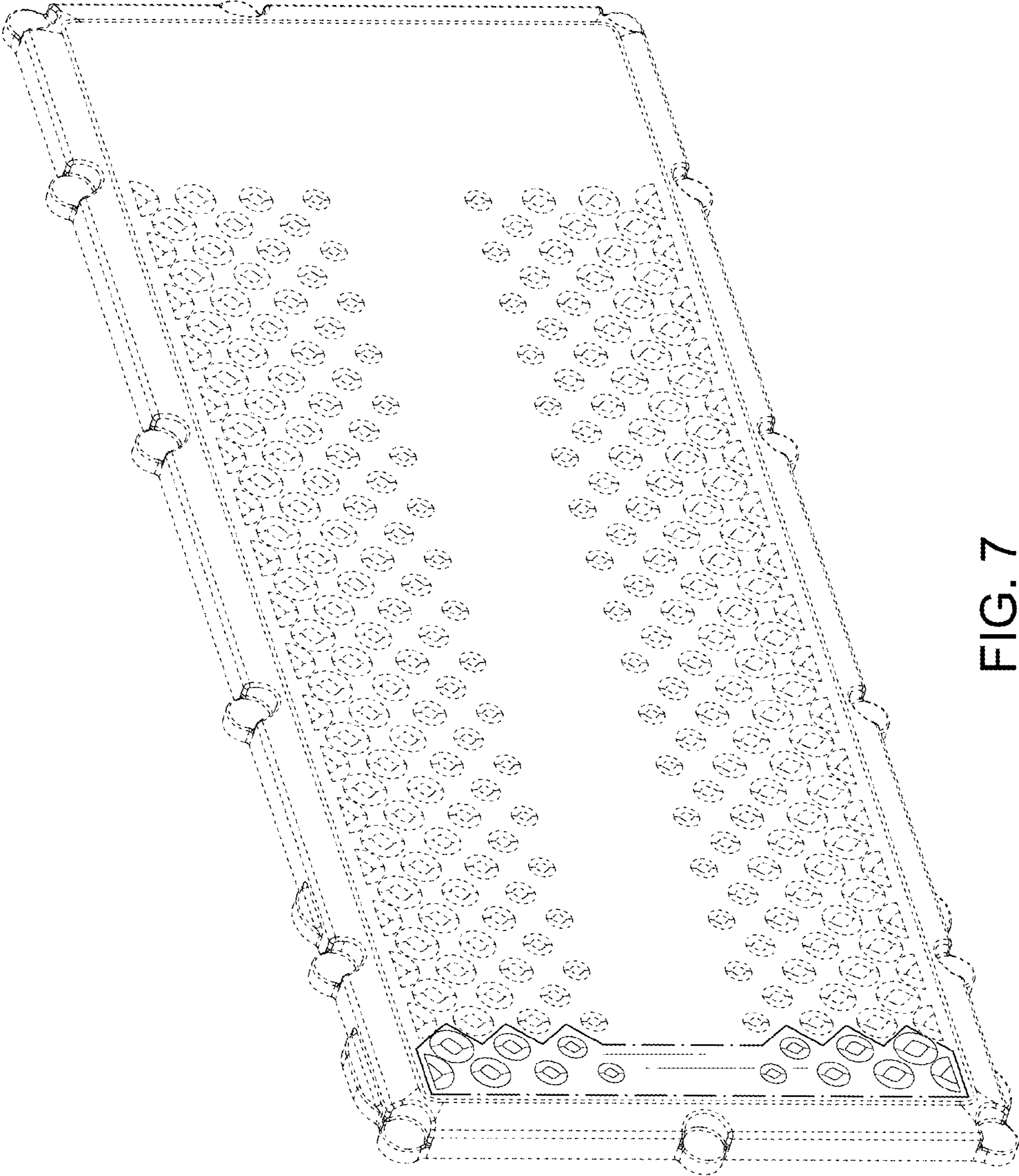


FIG. 7

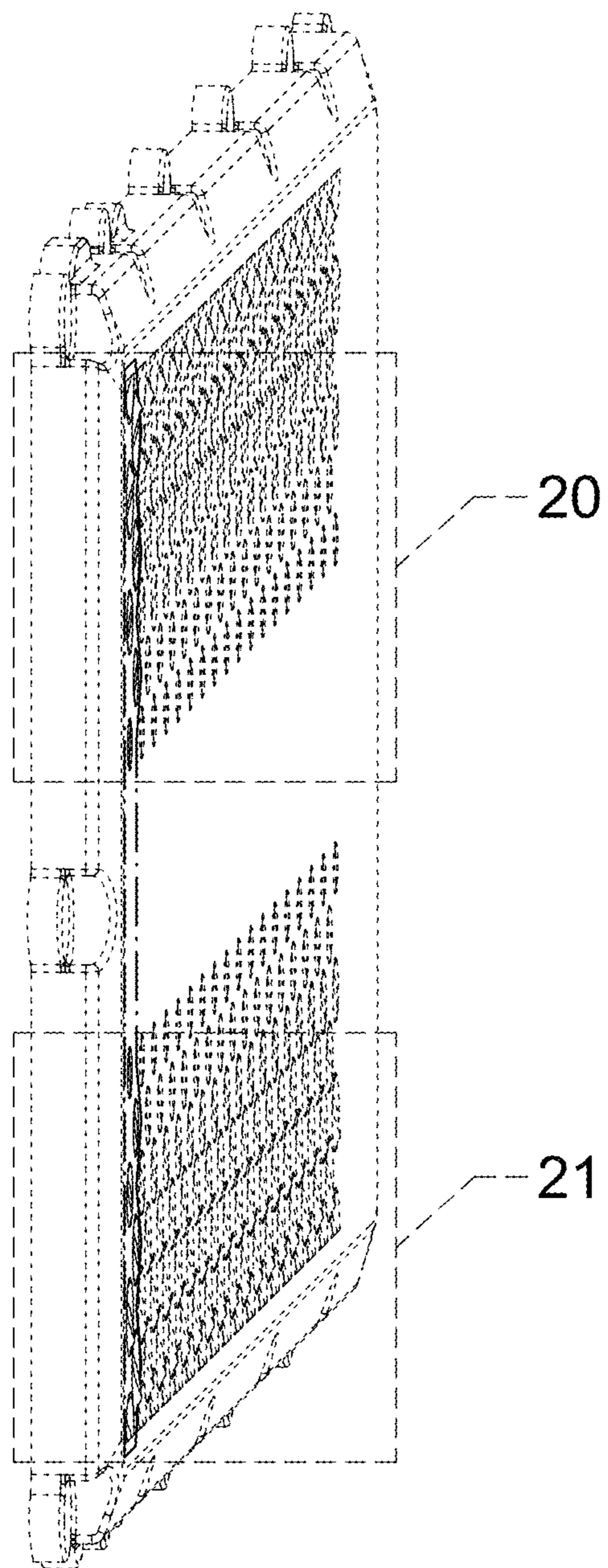


FIG. 8

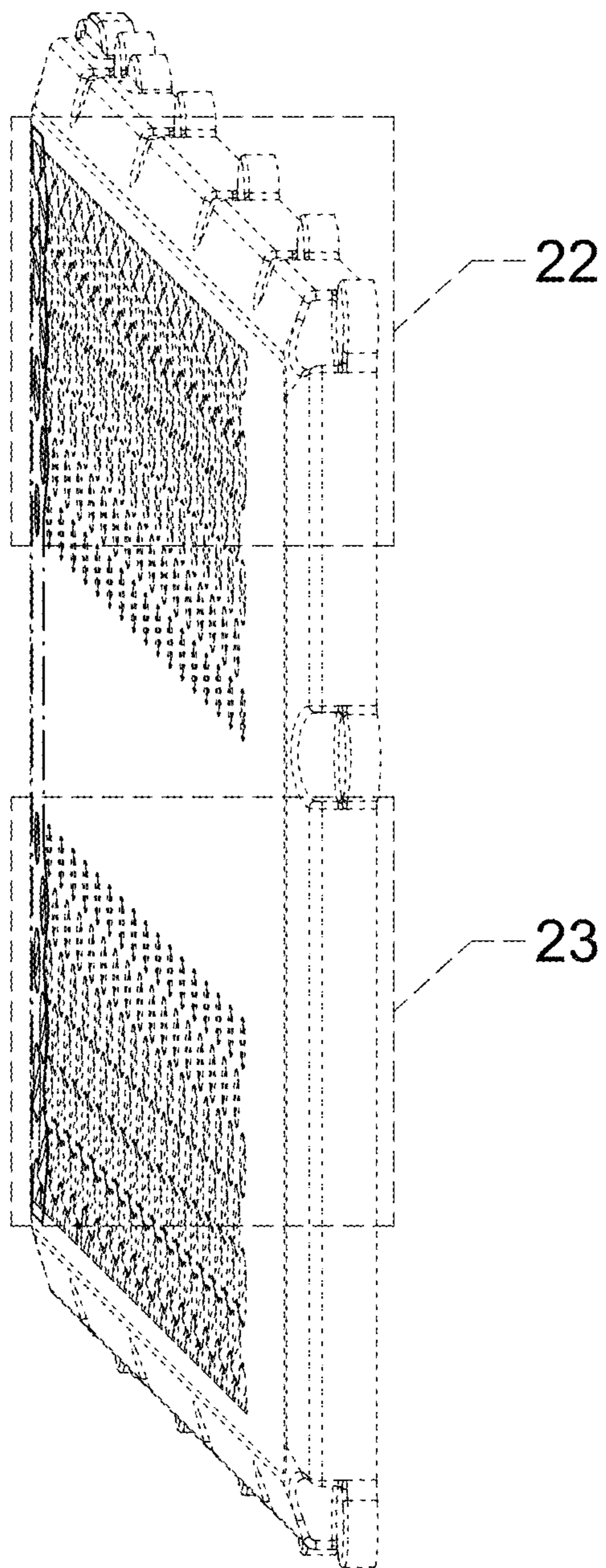


FIG. 9

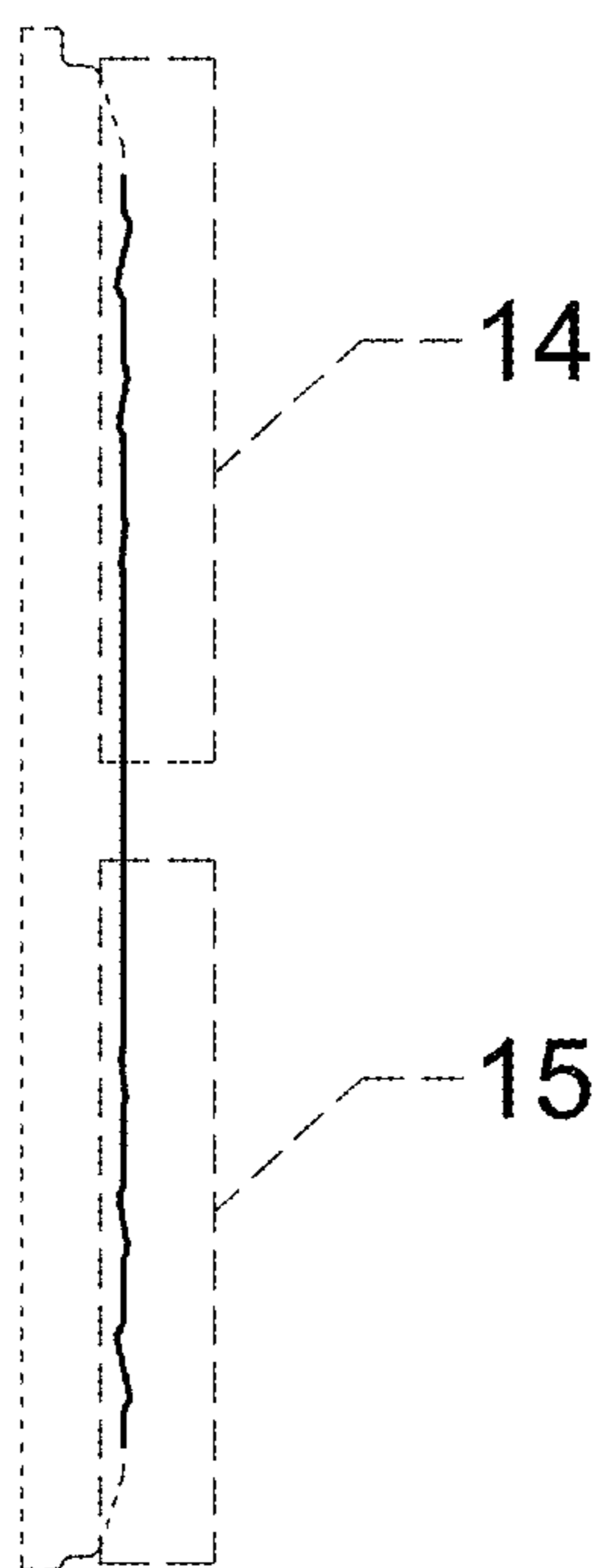


FIG. 10

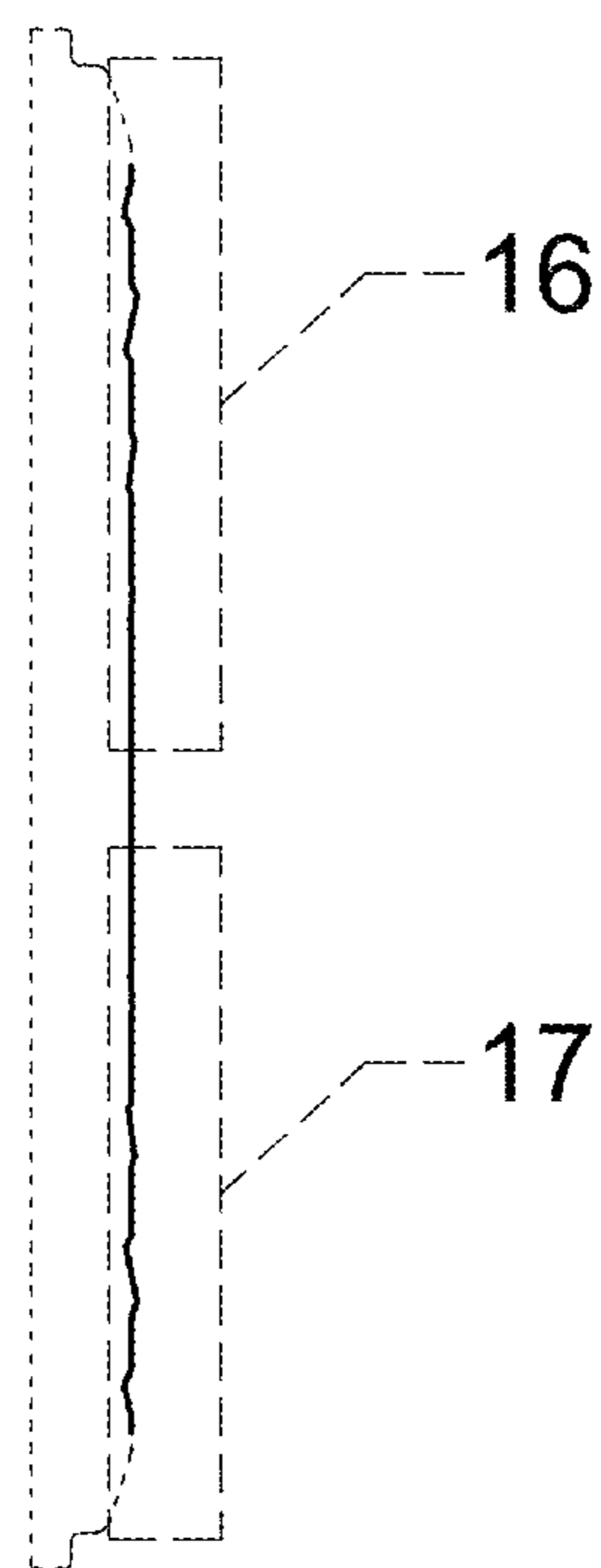


FIG. 11

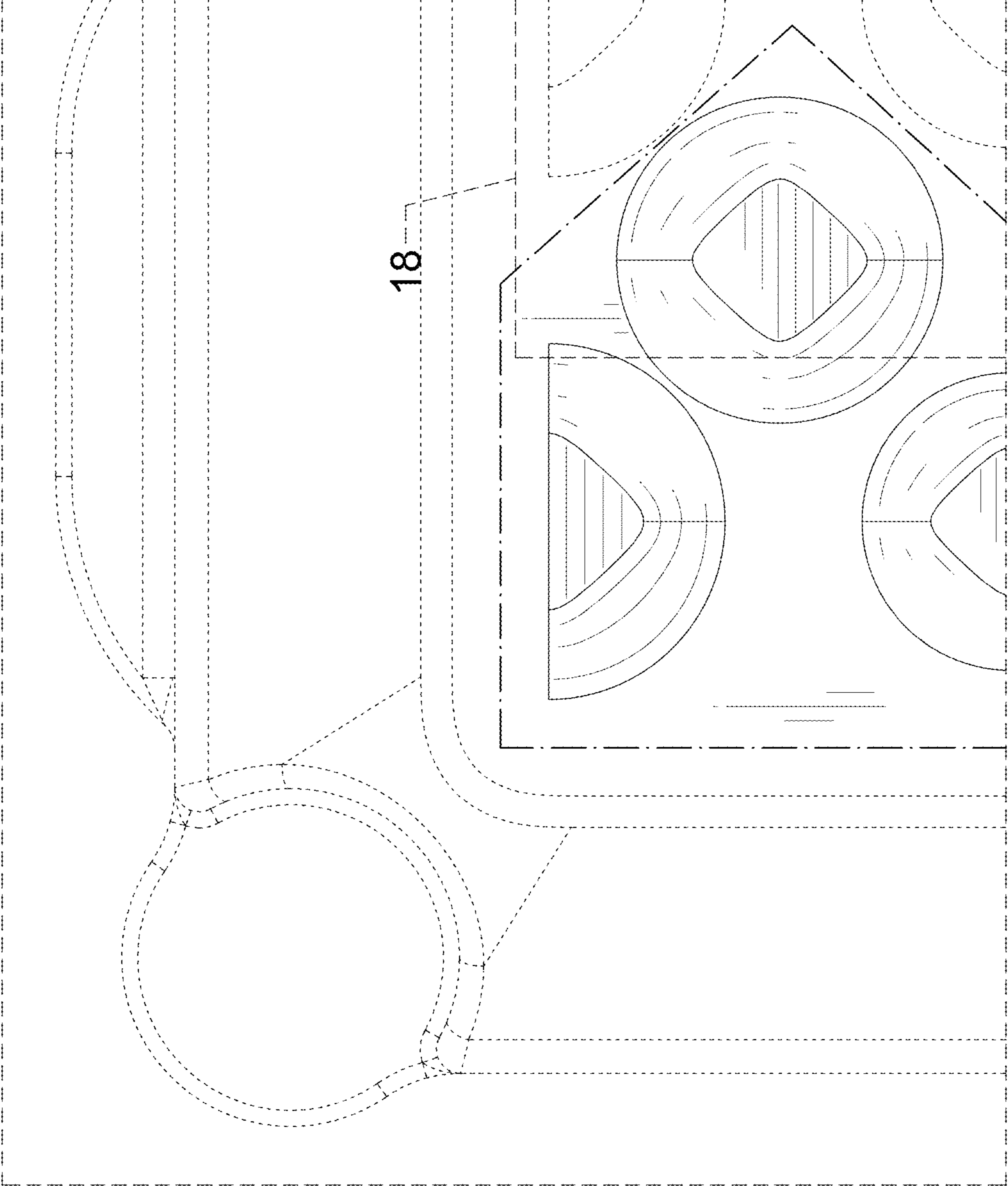


FIG. 12

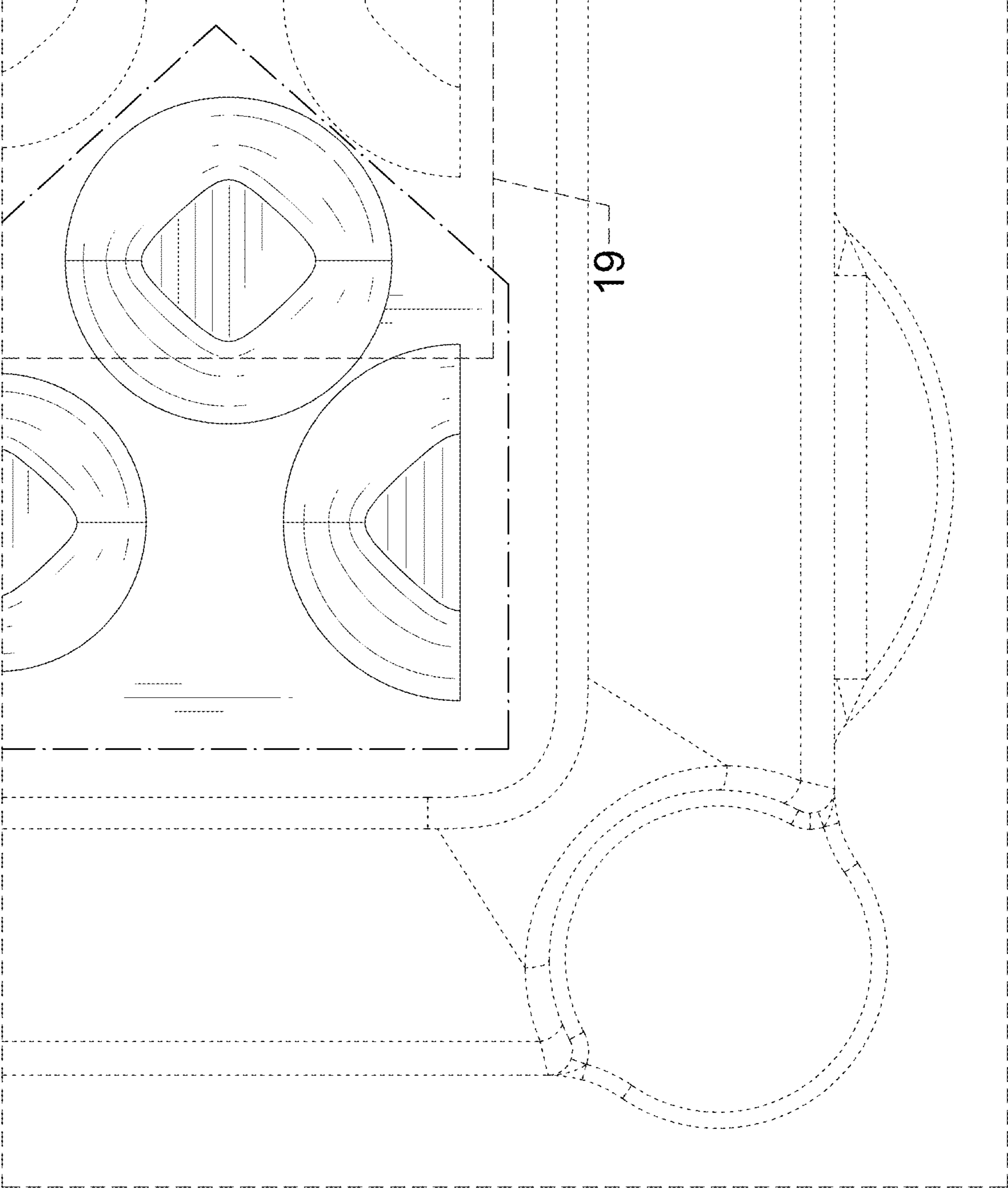


FIG. 13

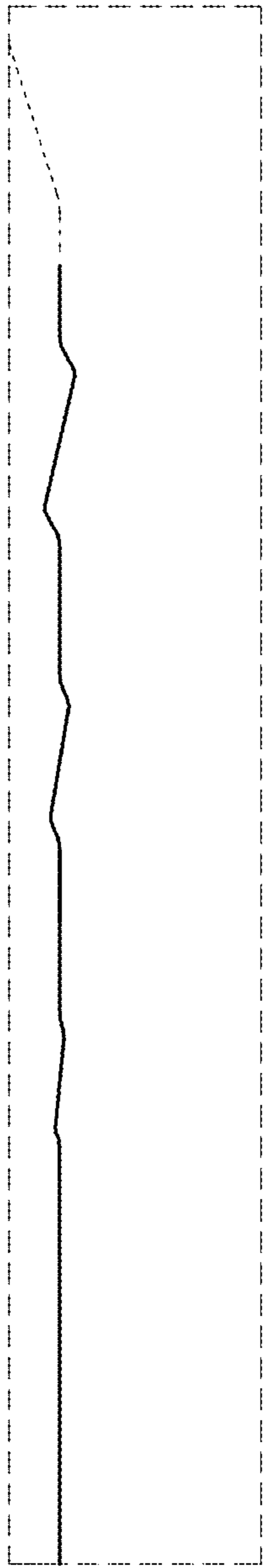


FIG. 14

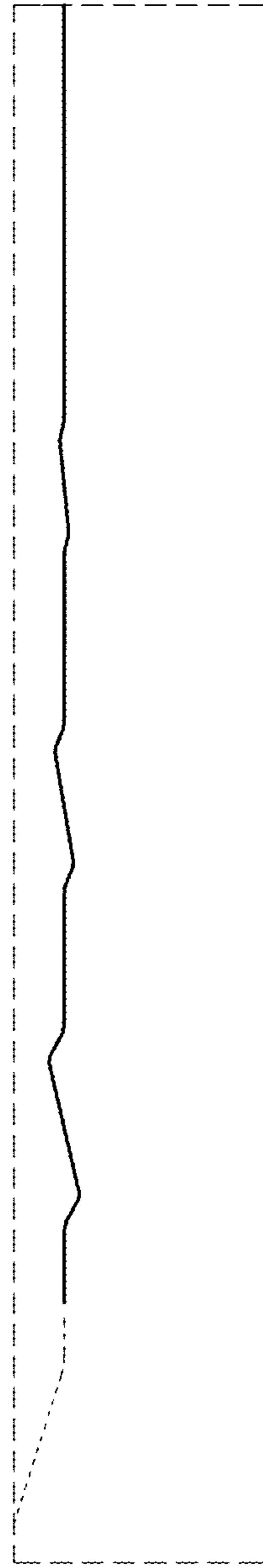


FIG. 15

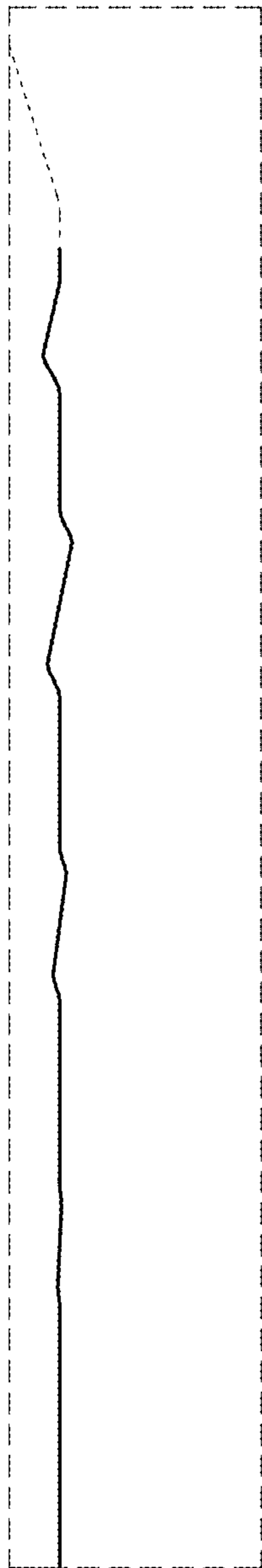


FIG. 16

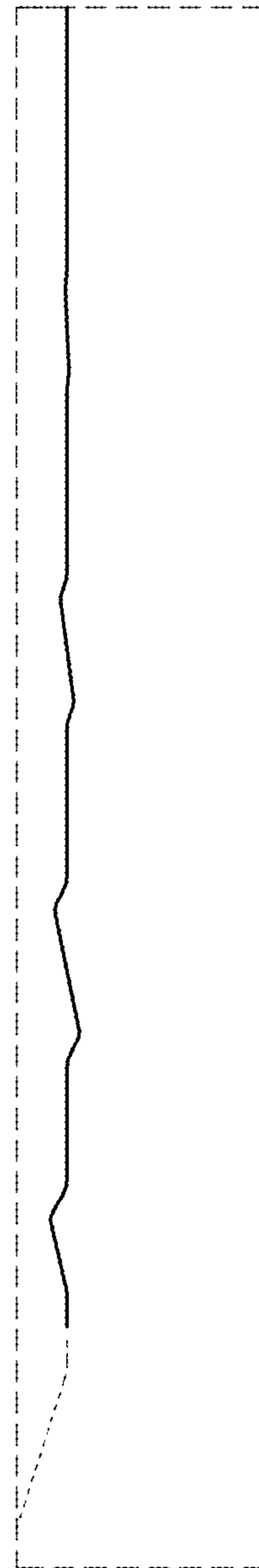


FIG. 17

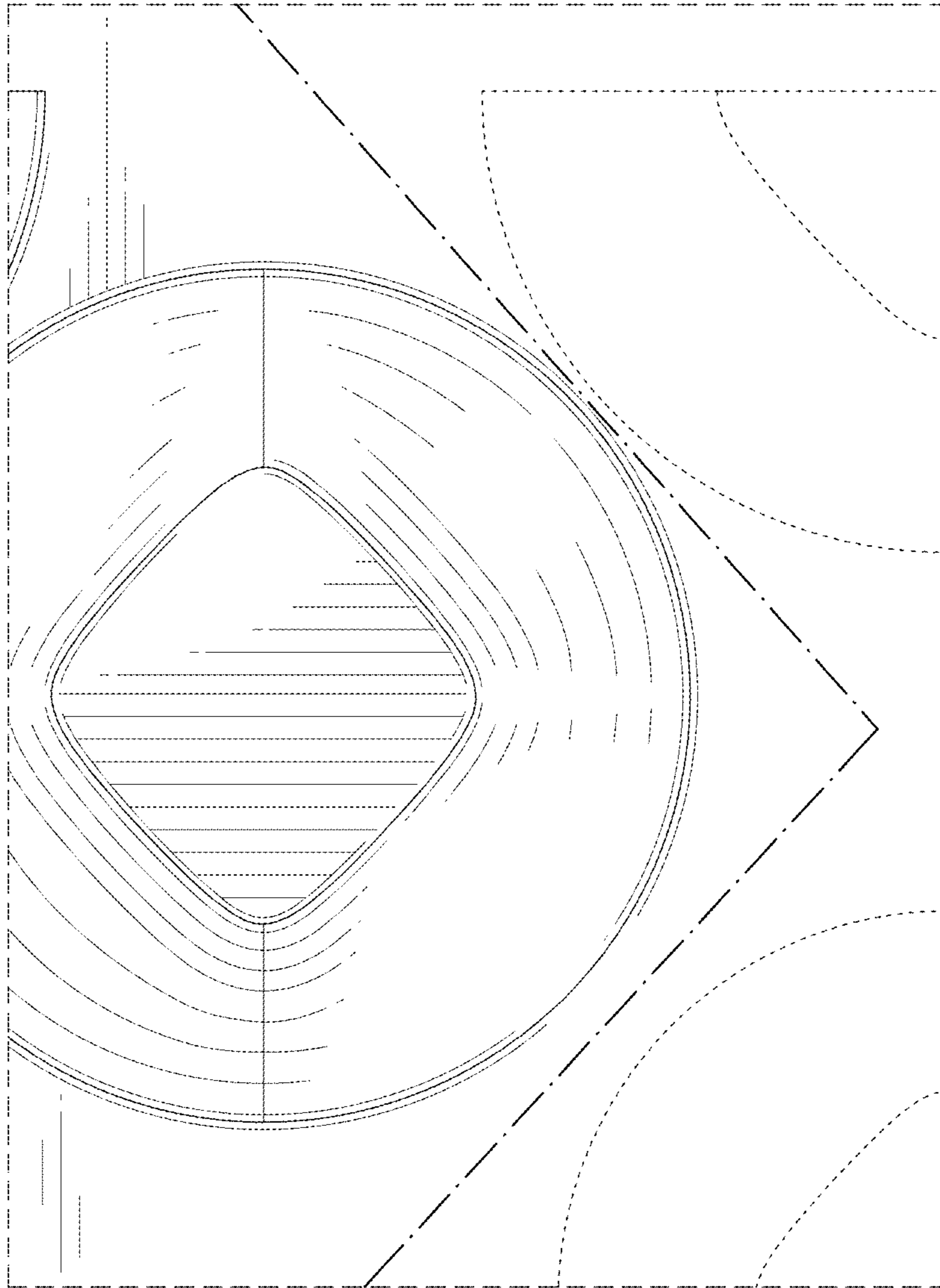


FIG. 18

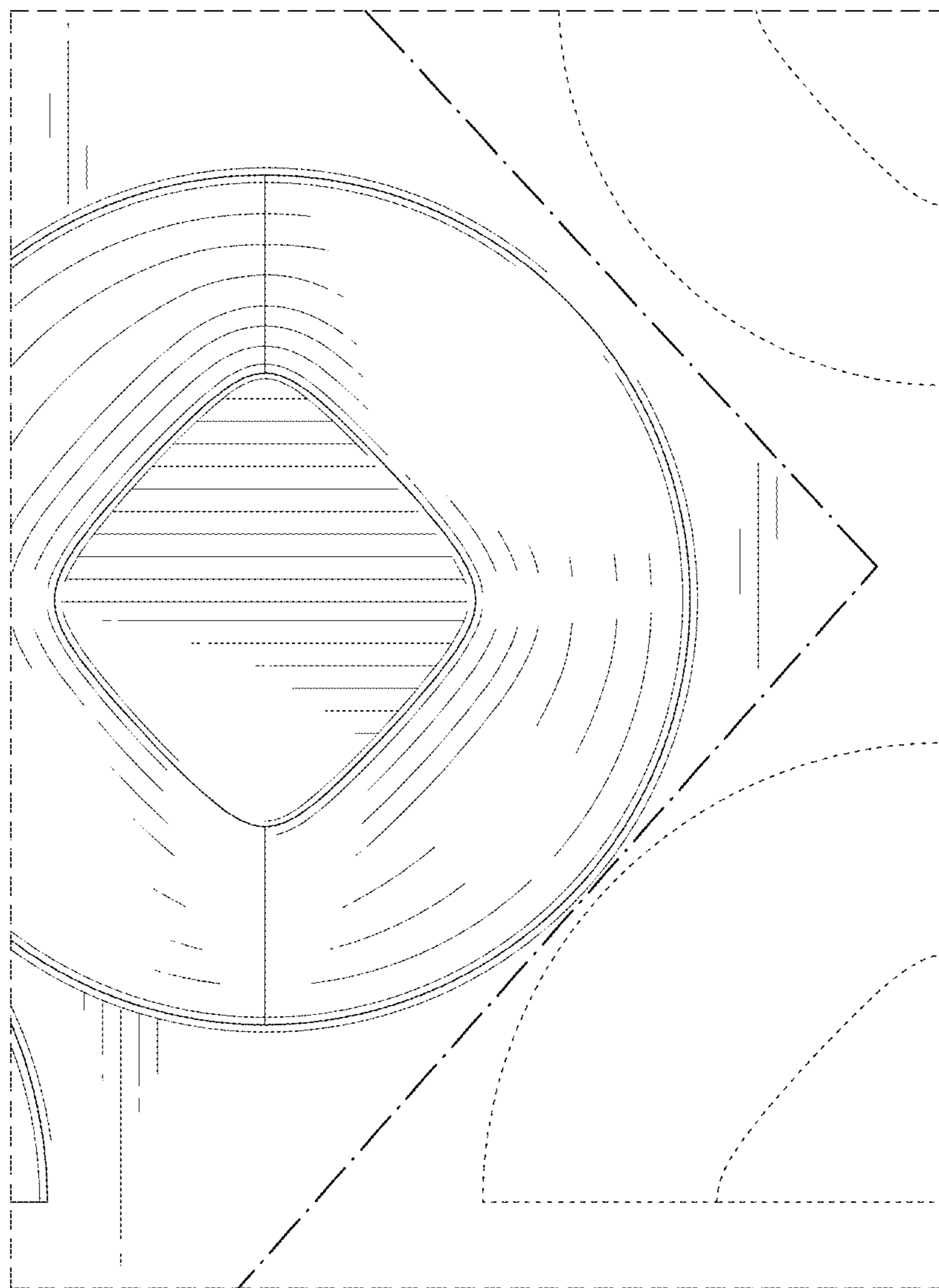


FIG. 19

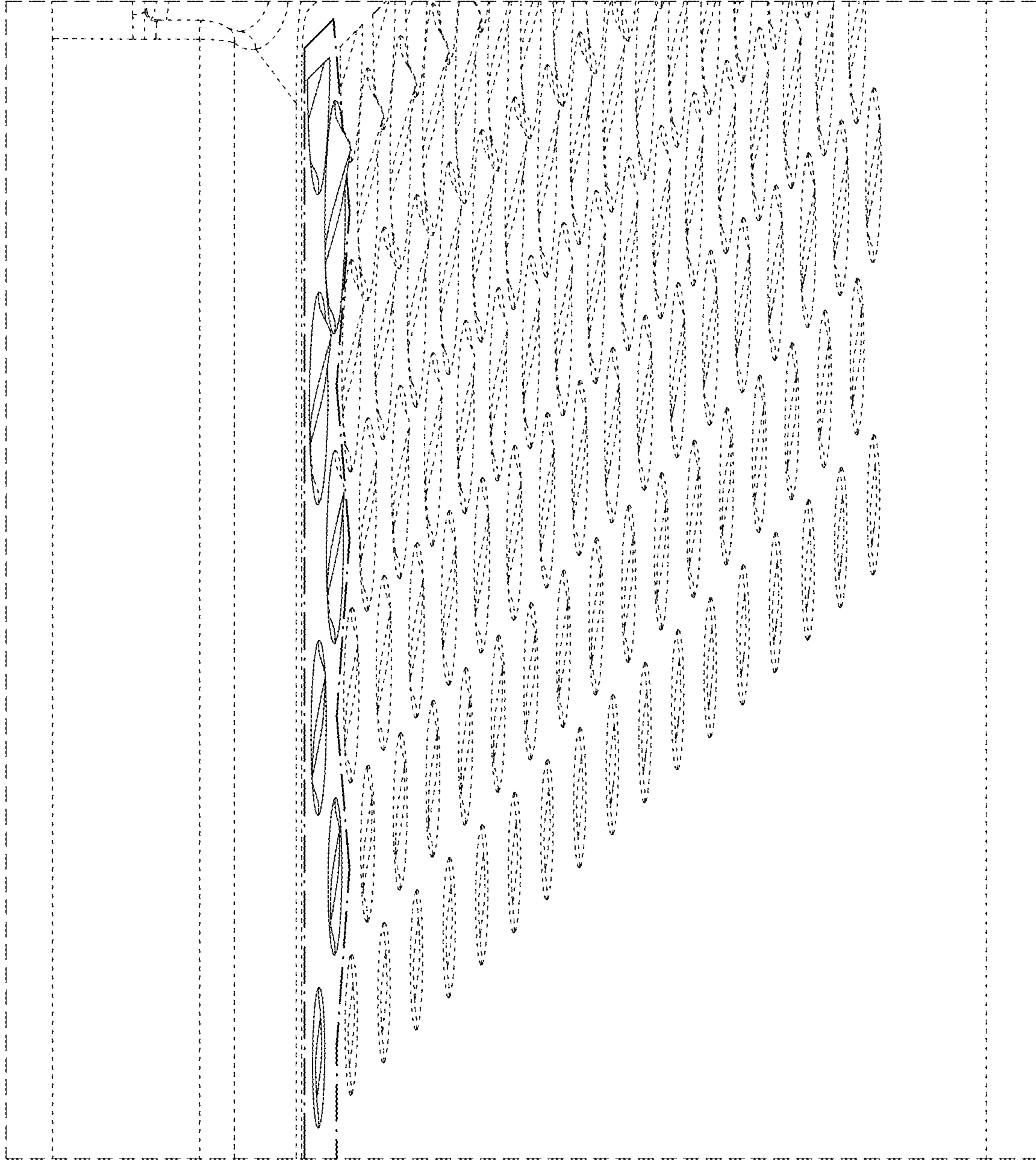


FIG. 20

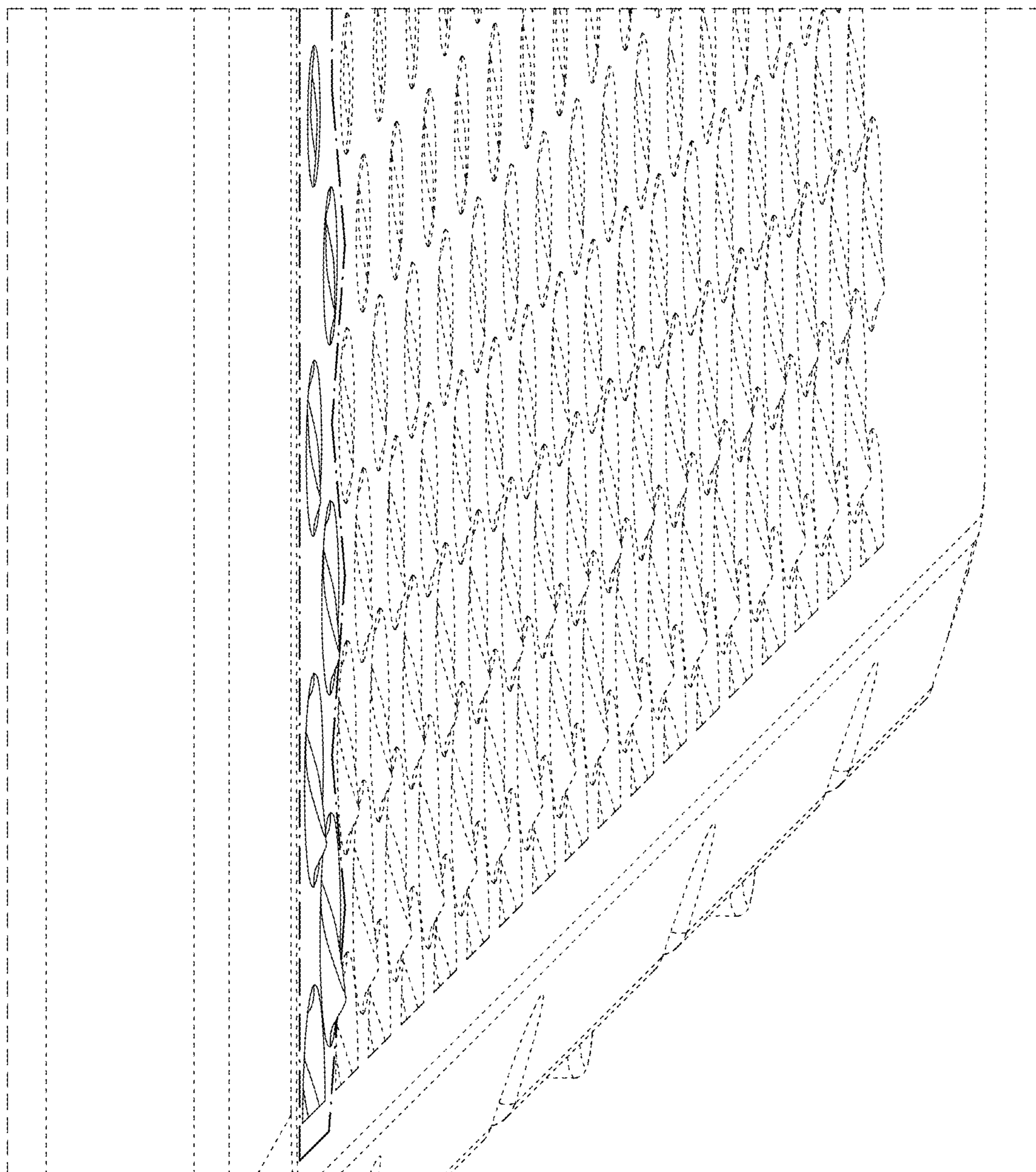


FIG. 21

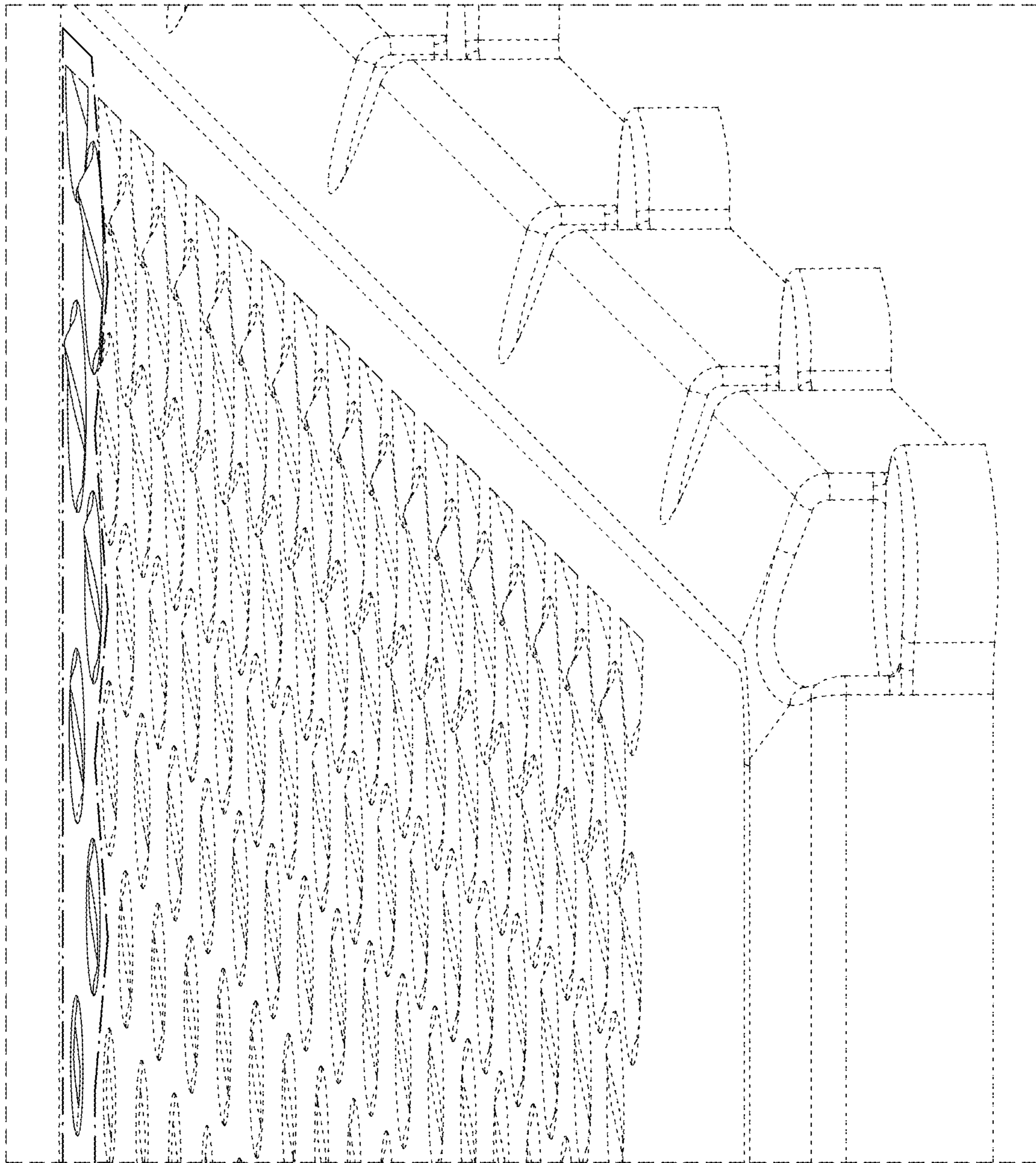


FIG. 22

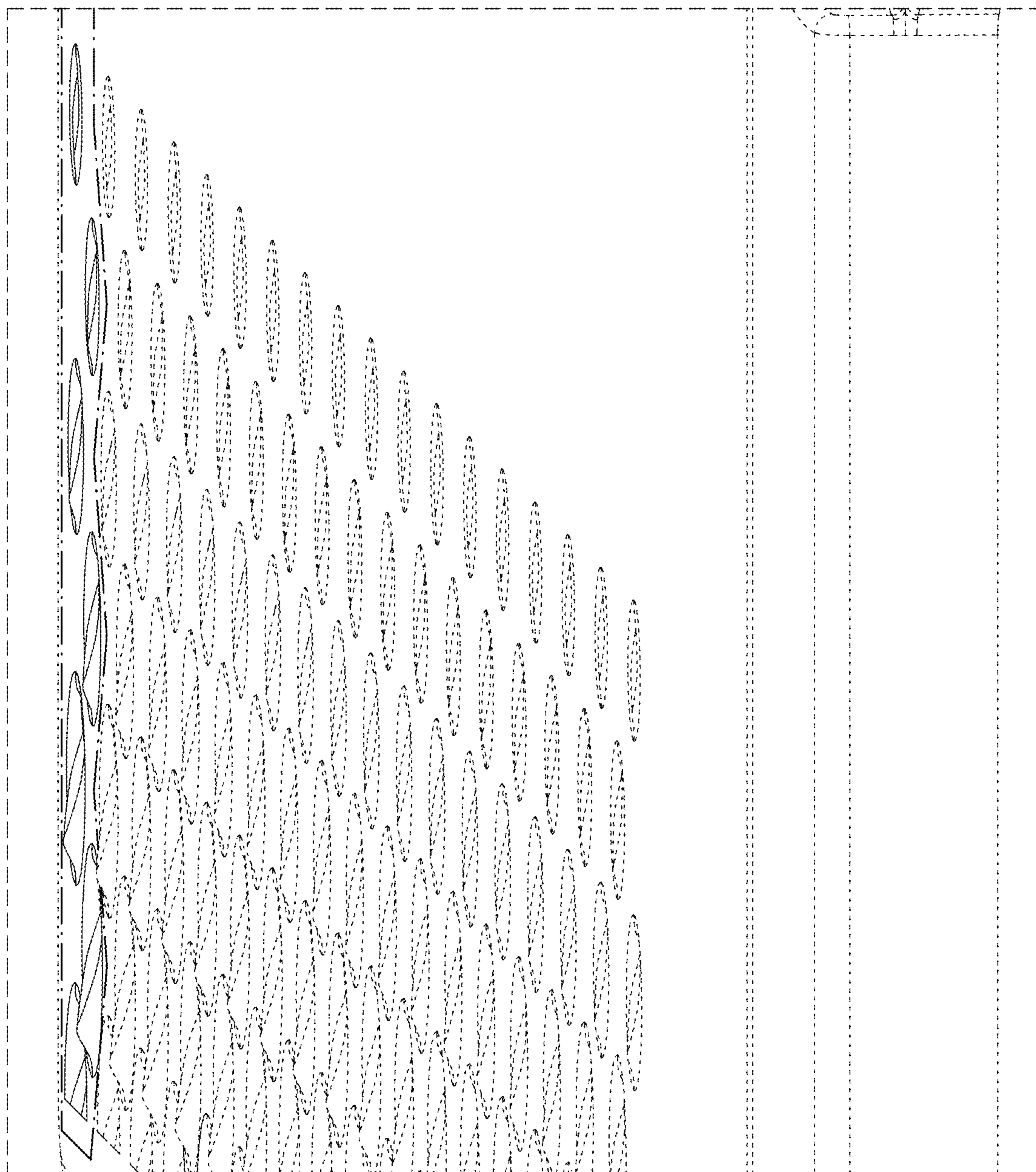


FIG. 23