

US00D903591S

(12) **United States Design Patent** (10) **Patent No.:** **US D903,591 S**
Norris et al. (45) **Date of Patent:** **** Dec. 1, 2020**

(54) **POWERBASE HOUSING**

5/046; A61G 5/047; A61G 5/048; A61G 5/063; A61G 5/128; A61G 5/1089

(71) Applicant: **DEKA Products Limited Partnership**,
Manchester, NH (US)

See application file for complete search history.

(72) Inventors: **Matthew A. Norris**, Londonderry, NH (US); **Alexander D. Streeter**, Concord, NH (US); **David E. Collins**, Amesbury, MA (US); **Prashant Bhat**, Bedford, NH (US); **Trevor A. Conway**, Manchester, NH (US)

(56) **References Cited**

U.S. PATENT DOCUMENTS

D201,553	S	*	7/1965	Disman, et al.	D13/110
5,610,493	A	*	3/1997	Wieloch	H02M 7/003 318/801
D552,030	S	*	10/2007	Wright	D13/110
D563,895	S	*	3/2008	Stuckmann	D13/152
D579,417	S	*	10/2008	Stuckmann	D13/152
D582,848	S	*	12/2008	Johansson	D13/123
D706,217	S	*	6/2014	McKune	D13/110
D771,574	S	*	11/2016	Hultquist	D13/156
9,752,652	B2	*	9/2017	Moore	H02K 5/225
D835,049	S	*	12/2018	Wilcox	D13/152
D845,833	S	*	4/2019	Asai	D12/1

(73) Assignee: **DEKA Products Limited Partnership**,
Manchester, NH (US)

(**) Term: **15 Years**

* cited by examiner

(21) Appl. No.: **29/690,306**

Primary Examiner — Derrick E Holland

(22) Filed: **May 7, 2019**

(74) *Attorney, Agent, or Firm* — Kathleen Chapman

Related U.S. Application Data

(63) Continuation of application No. 16/035,205, filed on Jul. 13, 2018.

(51) **LOC (12) Cl.** **13-02**

(52) **U.S. Cl.**

USPC **D13/110; D13/112**

(58) **Field of Classification Search**

USPC D13/110, 112, 101, 102, 103, 107, 108, D13/118, 119, 122, 123, 152, 184, 199; D12/1; D14/432, 433

CPC .. H02J 7/00; H02J 7/027; H02J 7/0042; H02J 7/0045; H02J 7/0047; H02J 7/0063; H02M 7/00; H02M 7/003; H01M 2/202; H01M 2/204; H01M 2/1022; H01M 2/342; H05K 5/023; A61G 5/041; A61G

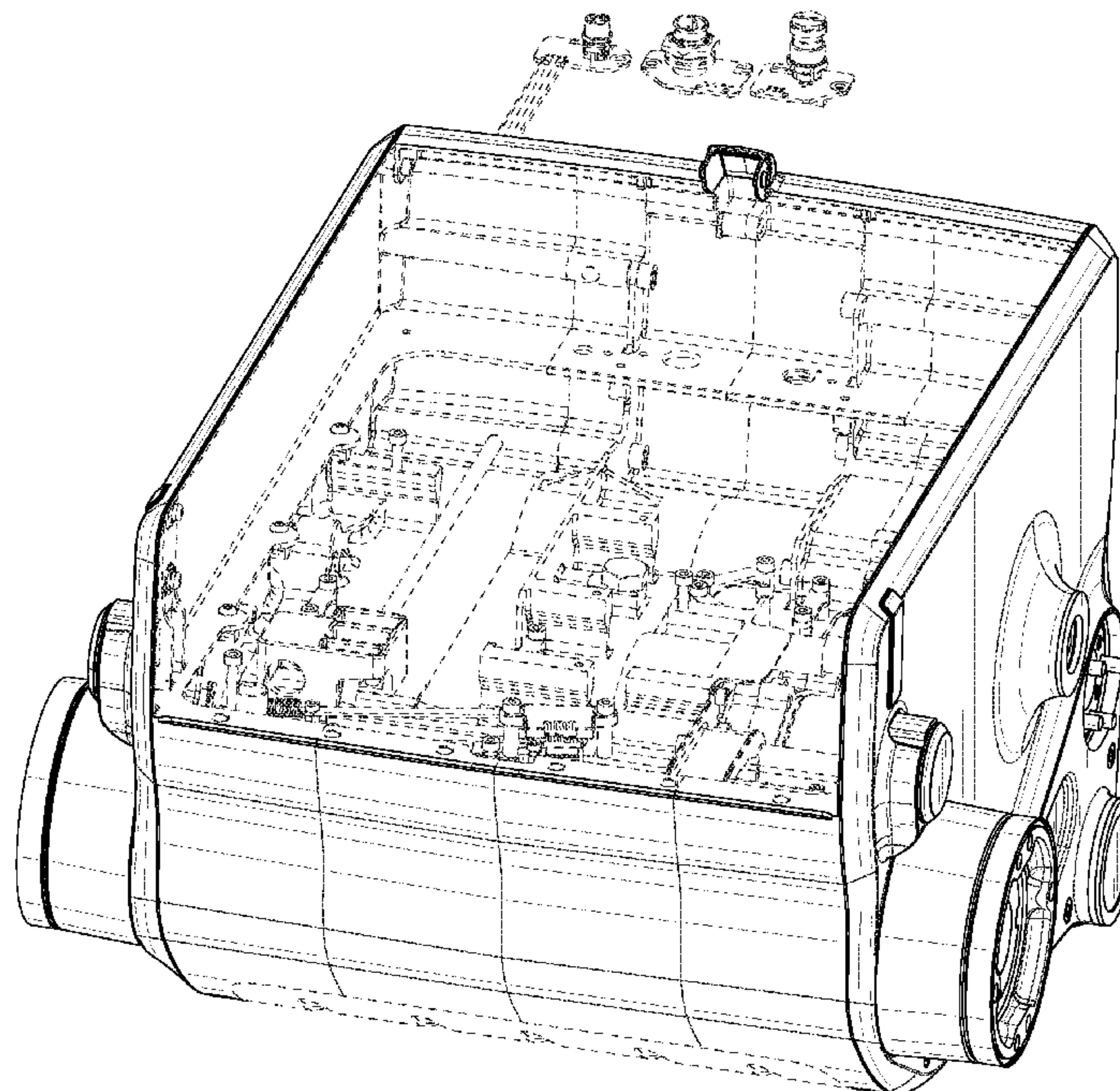
(57) **CLAIM**

The ornamental design of a powerbase housing, as shown and described.

DESCRIPTION

FIG. 1 is a front, top, right side perspective view of the powerbase housing, showing our new design; FIG. 2 is a rear, top, left side perspective view thereof; FIG. 3 is a front, top, left side perspective view thereof; FIG. 4 is an exploded perspective view thereof; and, FIG. 5 is a rear, top, right side perspective view thereof. The features shown in broken lines depict environmental structure only and form no part of the claimed design.

1 Claim, 4 Drawing Sheets



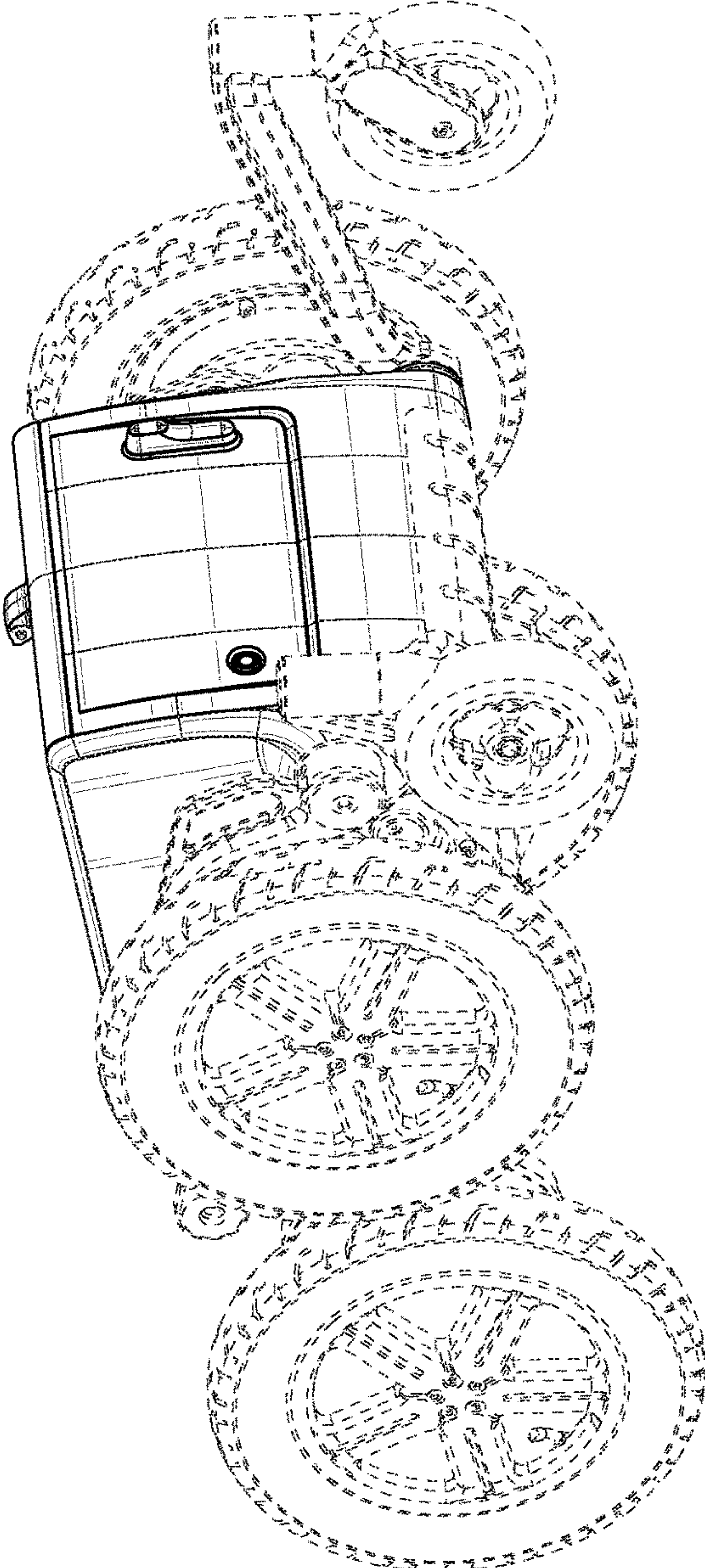


FIG. 1

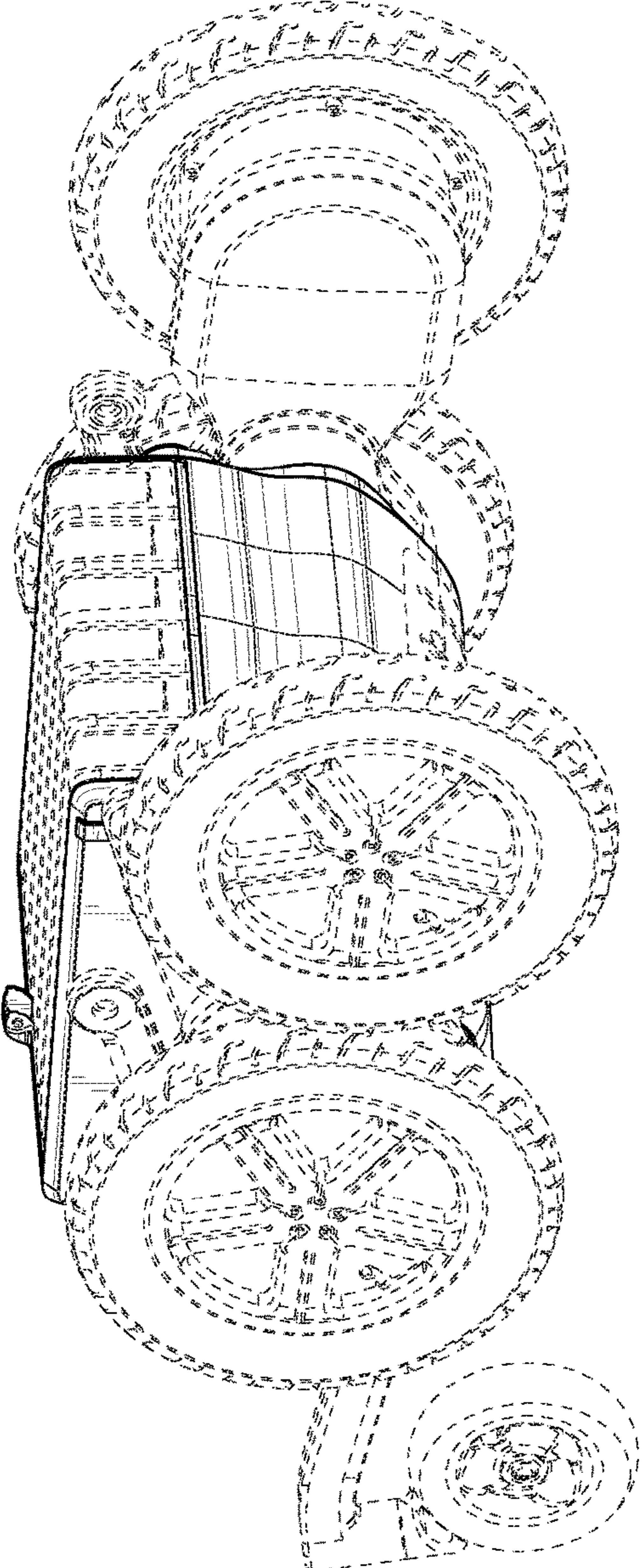


FIG. 2

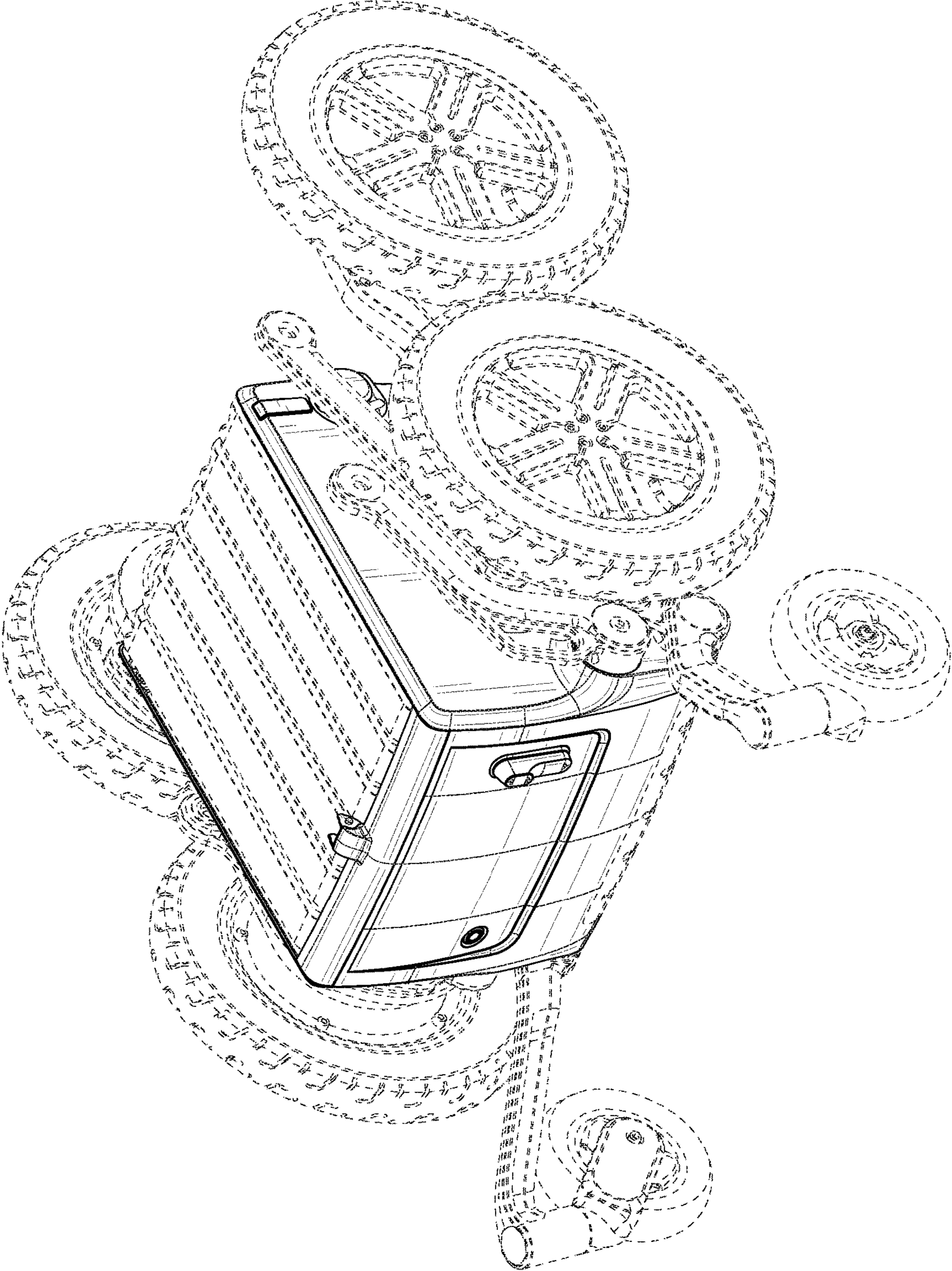


FIG. 3

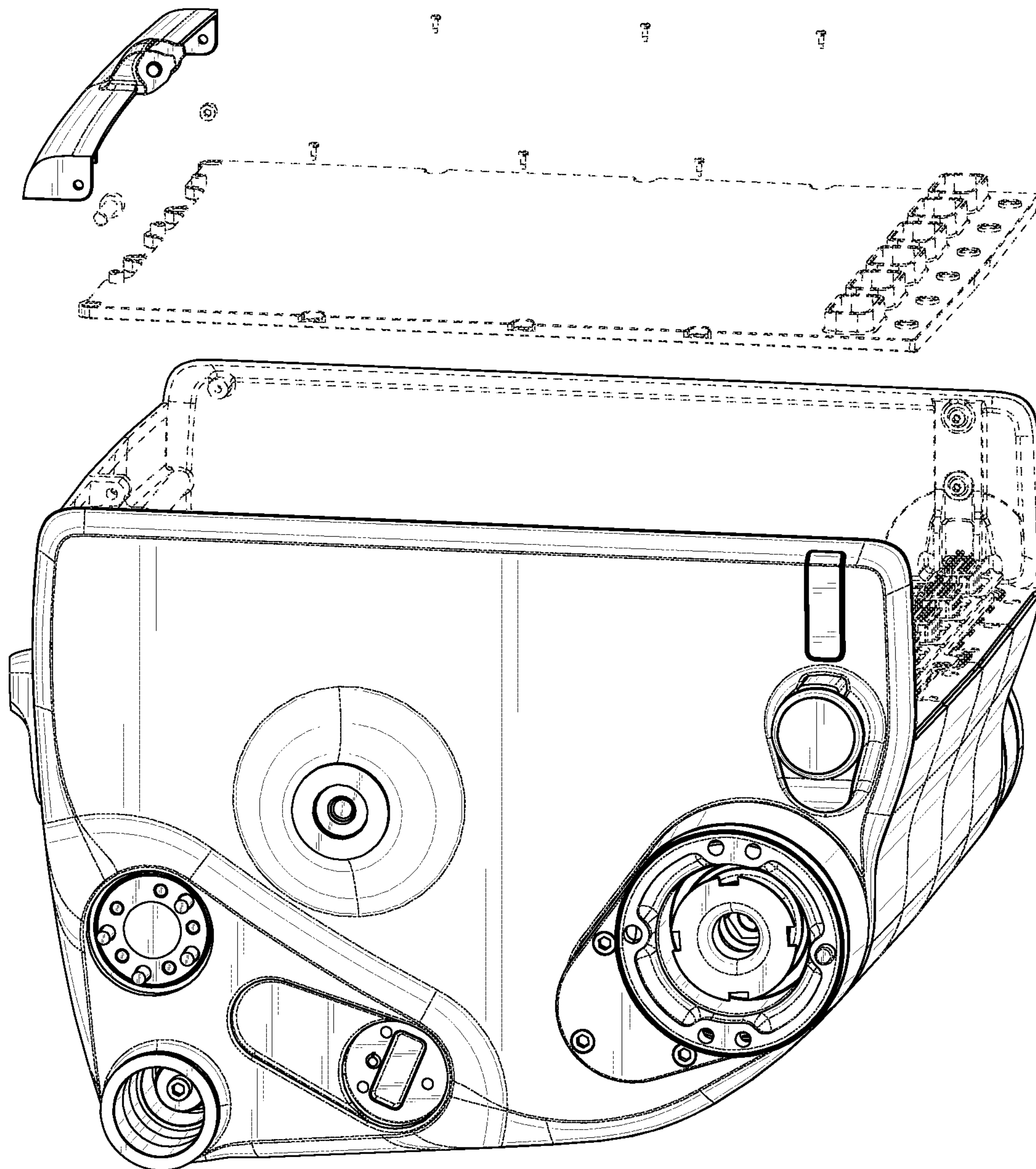


FIG. 4

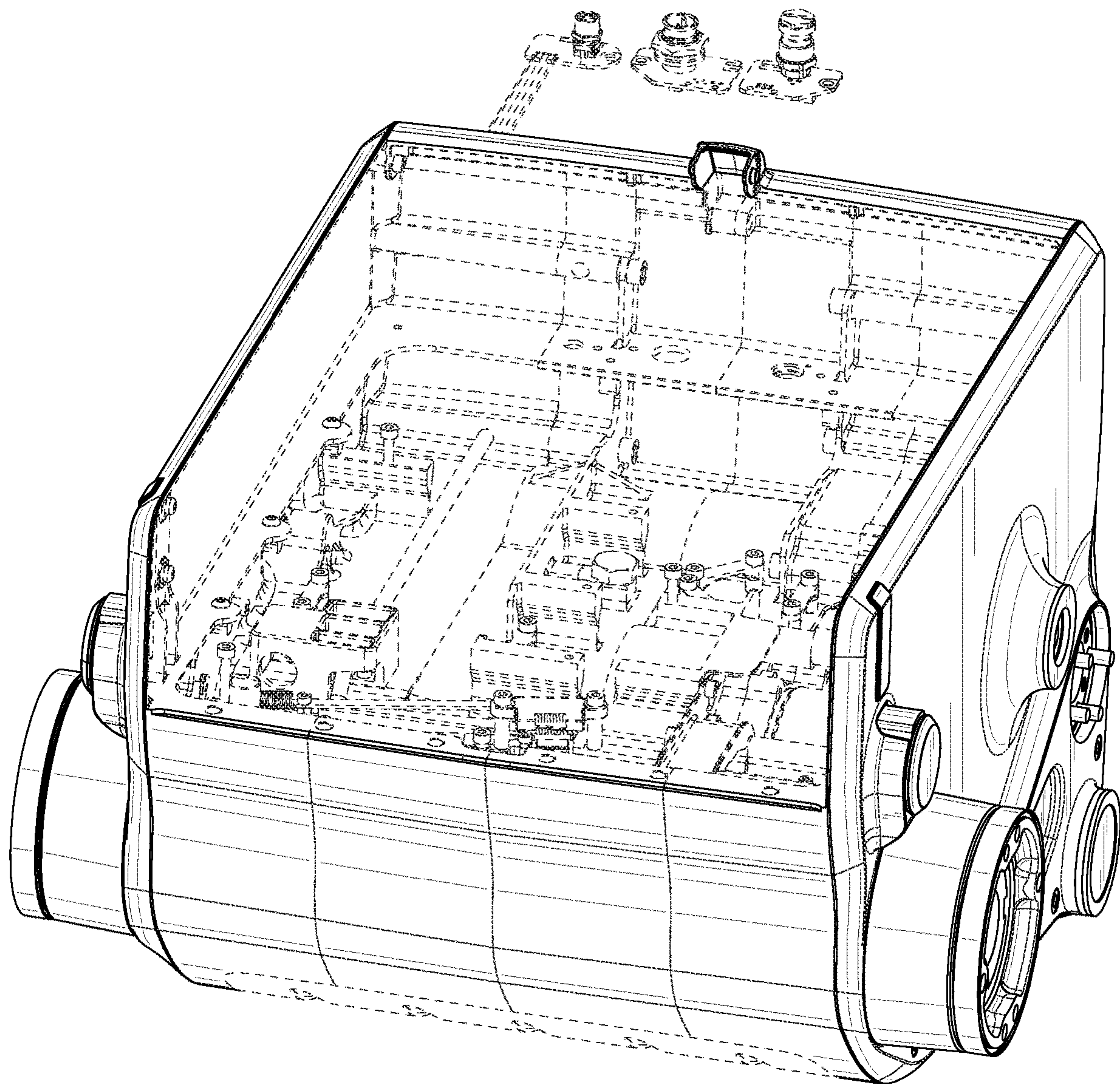


FIG. 5