



US00D903589S

(12) **United States Design Patent** (10) **Patent No.:** **US D903,589 S**  
**Akana et al.** (45) **Date of Patent:** **\*\* Dec. 1, 2020**

(54) **ADAPTER**

(71) Applicant: **Apple Inc.**, Cupertino, CA (US)

(72) Inventors: **Jody Akana**, San Francisco, CA (US); **Molly Anderson**, San Francisco, CA (US); **Bartley K. Andre**, Palo Alto, CA (US); **Shota Aoyagi**, San Francisco, CA (US); **Anthony Michael Ashcroft**, San Francisco, CA (US); **Marine C. Bataille**, San Francisco, CA (US); **Jeremy Bataillou**, San Francisco, CA (US); **Daniele De Iuliis**, San Francisco, CA (US); **Markus Diebel**, San Francisco, CA (US); **M. Evans Hankey**, San Francisco, CA (US); **Julian Hoenig**, San Francisco, CA (US); **Richard P. Howarth**, San Francisco, CA (US); **Jonathan P. Ive**, San Francisco, CA (US); **Julian Jaede**, San Francisco, CA (US); **Duncan Robert Kerr**, San Francisco, CA (US); **Peter Russell-Clarke**, San Francisco, CA (US); **Benjamin Andrew Shaffer**, San Jose, CA (US); **Mikael Silvano**, San Francisco, CA (US); **Sung-Ho Tan**, San Francisco, CA (US); **Clement Tissandier**, San Francisco, CA (US); **Eugene Antony Whang**, San Francisco, CA (US); **Rico Zörkendörfer**, San Francisco, CA (US)

(73) Assignee: **Apple Inc.**, Cupertino, CA (US)

(\*\*) Term: **15 Years**

(21) Appl. No.: **29/661,504**

(22) Filed: **Aug. 28, 2018**

(51) **LOC (12) Cl.** ..... **13-02**

(52) **U.S. Cl.**  
USPC ..... **D13/110**

(58) **Field of Classification Search**

USPC ..... D13/103, 107, 108, 110, 118, 119, 123, D13/133, 137.1, 137.2, 137.3, 137.4,  
(Continued)

(56) **References Cited**

U.S. PATENT DOCUMENTS

D138,086 S 6/1944 Ludwig  
4,997,381 A 3/1991 Oh  
(Continued)

FOREIGN PATENT DOCUMENTS

DM 075738 5/2011

OTHER PUBLICATIONS

“USB Charger for iPhone 3G—Original”, accessed at <http://ucables.com/ref/USB-CHARGER-IPHONE-3G-R73467>, added Jun. 12, 2008.

*Primary Examiner* — Susan Bennett Hattan

*Assistant Examiner* — Suzanne E Tisdell

(74) *Attorney, Agent, or Firm* — Sterne, Kessler, Goldstein & Fox, P.L.L.C.

(57) **CLAIM**

The ornamental design for an adapter, as shown and described.

**DESCRIPTION**

FIG. 1 is a top rear perspective view of an adapter showing the claimed design;

FIG. 2 is a front view thereof;

FIG. 3 is a rear view thereof;

FIG. 4 is a left side view thereof;

FIG. 5 is a right side view thereof;

FIG. 6 is a top view thereof;

FIG. 7 is a bottom view thereof;

FIG. 8 is a top rear perspective view of the adapter in a second state;

FIG. 9 is a front view thereof;

FIG. 10 is a rear view thereof;

(Continued)

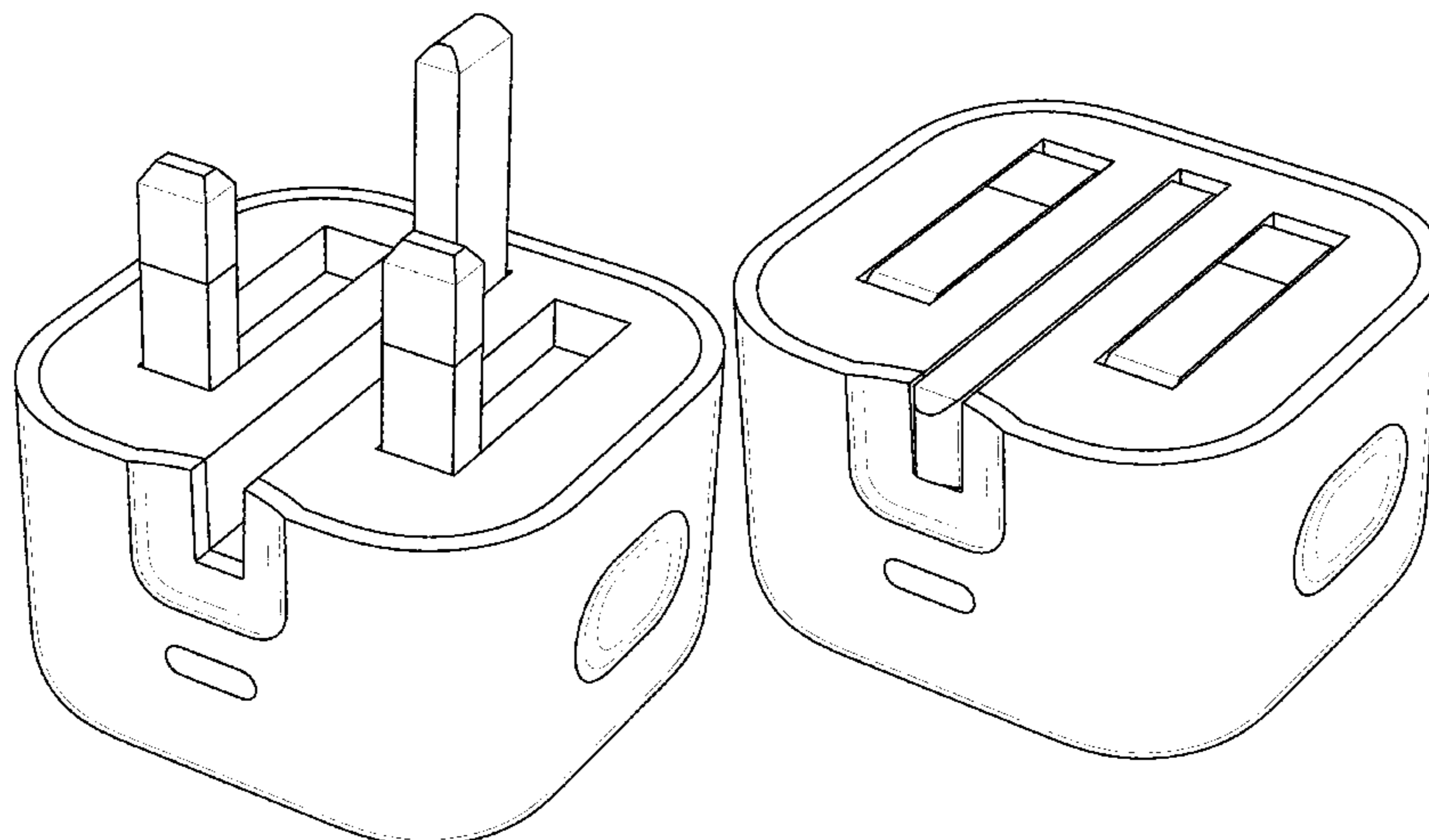


FIG. 11 is a left side view thereof;  
 FIG. 12 is a right side view thereof;  
 FIG. 13 is a top view thereof; and,  
 FIG. 14 is a bottom view thereof.  
 The broken lines in the figures show portions of the adapter  
 that form no part of the claimed design.

**1 Claim, 14 Drawing Sheets**

(58) **Field of Classification Search**

USPC ..... D13/138.1, 138.2, 139.1, 139.2, 139.3,  
 D13/139.4, 139.5, 139.6, 139.7, 139.8,  
 D13/152, 153, 154, 184, 199  
 CPC ..... H01R 25/00; H01R 25/006; H01R 13/00;  
 H01R 13/04; H01R 13/10; H01R  
 13/6666; H01R 13/6675; H01R 9/00;  
 H01R 11/00

See application file for complete search history.

(56) **References Cited**

U.S. PATENT DOCUMENTS

D375,080	S	10/1996	Sandor et al.
5,613,863	A	3/1997	Klaus et al.
D405,765	S	2/1999	Yu
5,967,807	A	10/1999	Wu
6,126,460	A	10/2000	Wu
D436,078	S	1/2001	Korte
6,275,002	B1	8/2001	Chen et al.
6,358,076	B1*	3/2002	Haag ..... H01R 13/6395 439/320
6,641,412	B2	11/2003	Kitagawa et al.
D498,462	S	11/2004	Andre et al.
D503,679	S	4/2005	Andre et al.
D511,649	S	11/2005	Chen
7,001,196	B1	2/2006	Huang
D521,936	S	5/2006	Novotney et al.
D522,463	S	6/2006	Novotney et al.
D526,648	S	8/2006	Andre et al.
D552,034	S	10/2007	Hobson et al.
D572,712	S	7/2008	Ledbetter et al.
D573,946	S	7/2008	Ledbetter et al.
D579,876	S	11/2008	Novotney et al.
D583,316	S	12/2008	Sade et al.
D587,192	S	2/2009	McGinley et al.
D595,223	S	6/2009	Yamamoto et al.
D595,224	S	6/2009	Seil et al.
D596,572	S	7/2009	Wu et al.
D601,500	S	10/2009	Green et al.
D601,501	S	10/2009	Kaibara et al.
D601,583	S	10/2009	Andre et al.

D602,430	S	10/2009	Green et al.
D610,994	S	3/2010	Fahrendorff et al.
D611,409	S	3/2010	Green et al.
D611,415	S	3/2010	Andre et al.
D617,275	S	6/2010	Fahrendorff et al.
D623,136	S	9/2010	Andre et al.
7,794,251	B2	9/2010	Wen et al.
D643,807	S	8/2011	Jiang
D647,476	S	10/2011	Ciou
8,057,265	B2	11/2011	Youssefi-Shams et al.
8,105,106	B1*	1/2012	Stoddard ..... H01R 13/717 362/95
D653,615	S	2/2012	Au
8,113,855	B2	2/2012	Green et al.
D655,244	S	3/2012	Au
8,142,228	B1*	3/2012	Wu ..... H01R 27/02 439/628
D661,649	S	6/2012	Andre et al.
D683,314	S	5/2013	Andre et al.
D693,767	S*	11/2013	Zaslavsky ..... D13/110
D702,633	S*	4/2014	Andre ..... H01R 31/065 D13/110
D705,736	S	5/2014	Zaslavsky et al.
D711,823	S	8/2014	Akana et al.
D711,824	S	8/2014	Matsuoka et al.
D712,829	S	9/2014	Huang
D719,092	S	12/2014	Huang
D721,037	S	1/2015	Kelly
D735,669	S*	8/2015	Kelly ..... D13/138.1
D738,308	S	9/2015	Sumwalt et al.
D746,773	S	1/2016	Andre et al.
D750,571	S	3/2016	Auguste et al.
D751,039	S	3/2016	Ptok et al.
D753,661	S*	4/2016	Daniel ..... D14/433
D763,794	S	8/2016	Akana et al.
9,537,276	B1*	1/2017	Cai ..... H01R 31/06
D778,914	S*	2/2017	Huang ..... D13/110
D788,709	S*	6/2017	Yeo ..... D13/137.2
D790,465	S*	6/2017	Zhao ..... D13/110
D799,422	S*	10/2017	Chen ..... D13/108
D807,822	S*	1/2018	Senff ..... D13/110
D808,903	S*	1/2018	Koenig ..... D13/110
9,882,313	B2*	1/2018	Steinbuechel, IV ..... H01R 31/06
D819,566	S*	6/2018	Hung ..... D13/110
D826,858	S*	8/2018	Little ..... D13/137.2
D826,859	S*	8/2018	Little ..... D13/137.2
D864,863	S*	10/2019	Lee ..... D13/110
D867,287	S*	11/2019	Akana ..... D13/110
D867,295	S*	11/2019	Shaopeng ..... D13/137.2
D867,989	S*	11/2019	Akana ..... D13/110
10,483,694	B2*	11/2019	Crowder ..... H01R 13/447
D874,400	S*	2/2020	Akana ..... D13/110
D874,403	S*	2/2020	Canizares ..... D13/137.2
D879,714	S*	3/2020	Zhang ..... D13/110
2009/0289596	A1	11/2009	McGinley et al.
2010/0117597	A1	5/2010	Wang

\* cited by examiner

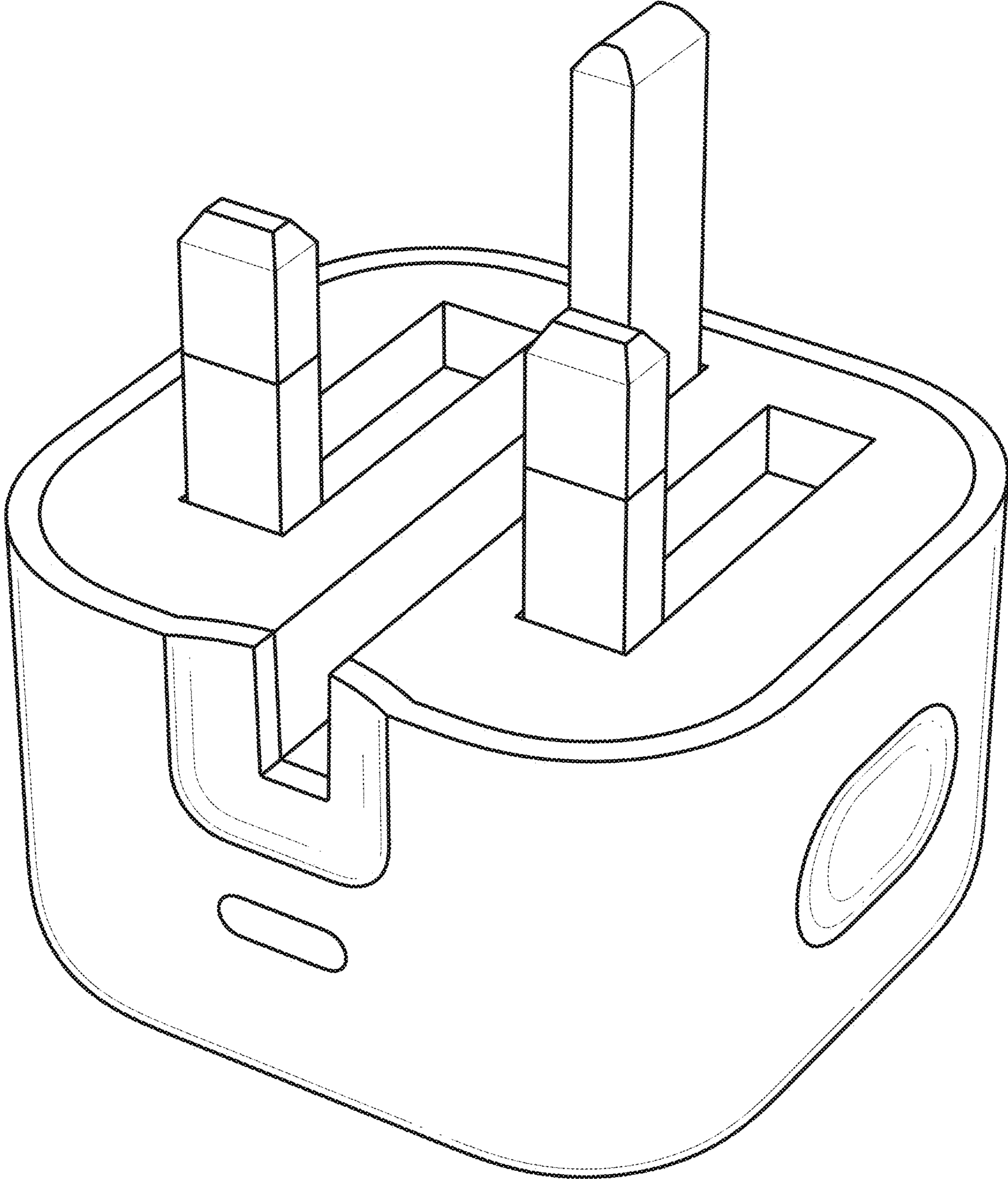


FIG. 1

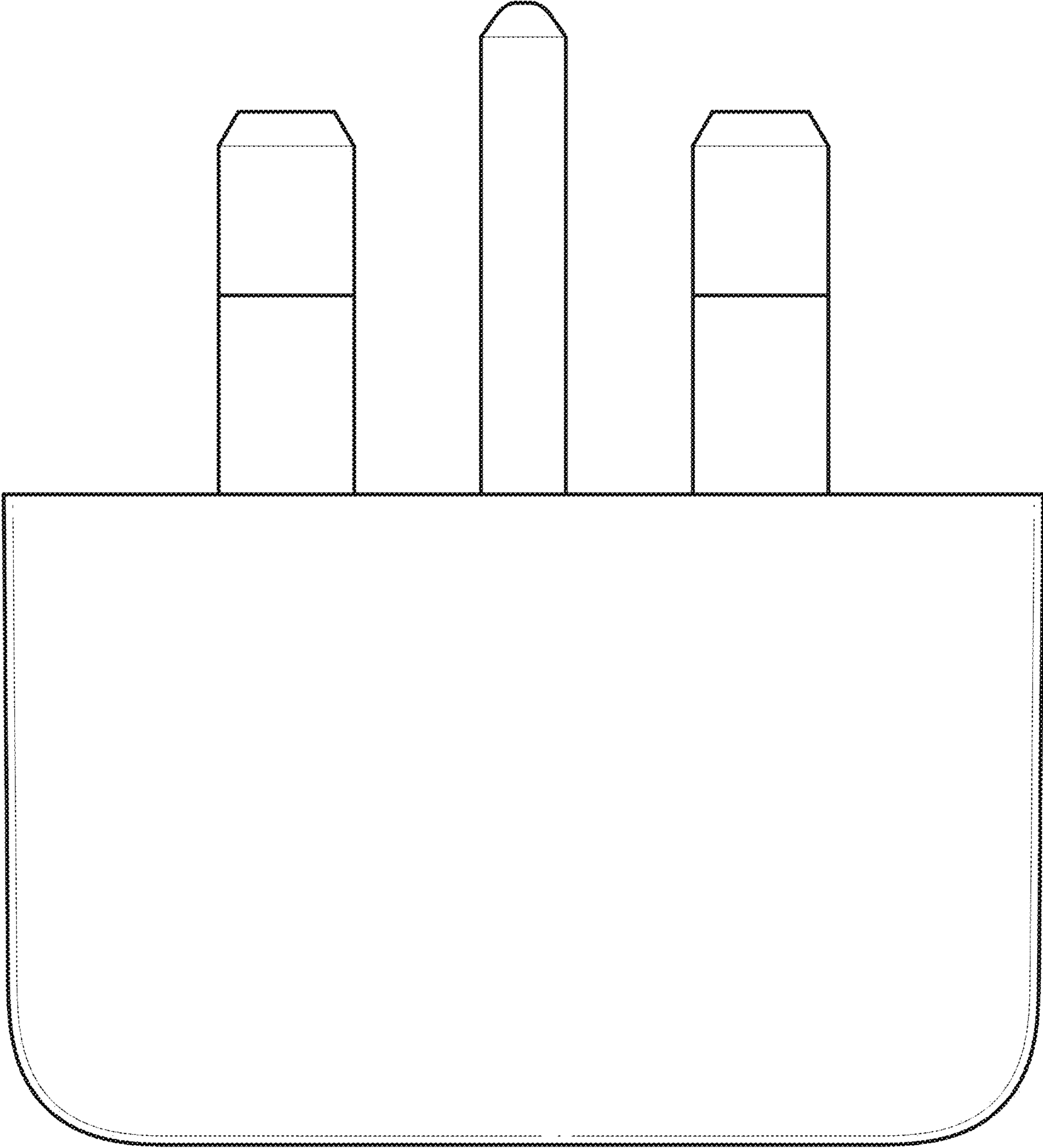


FIG. 2

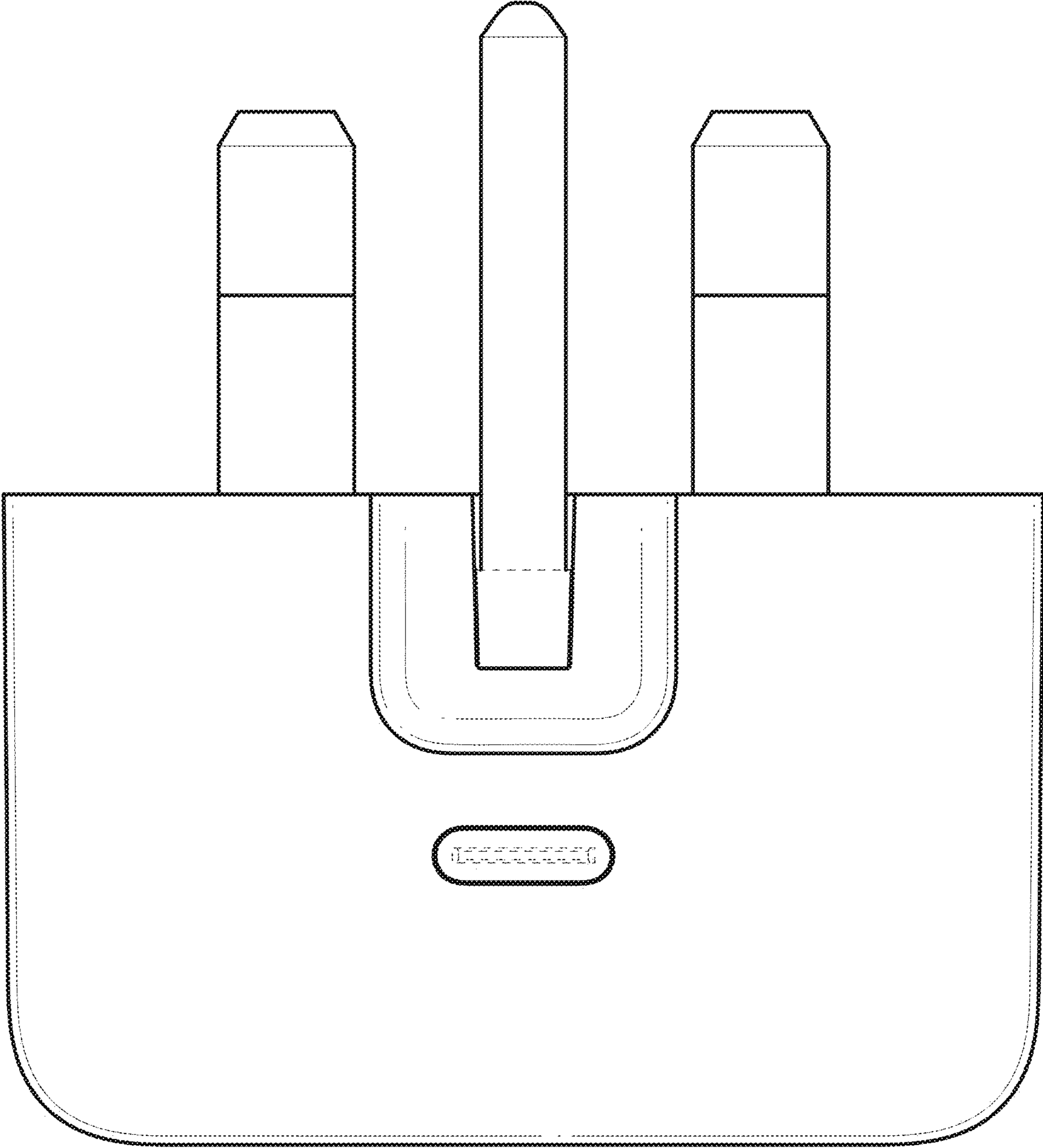


FIG. 3

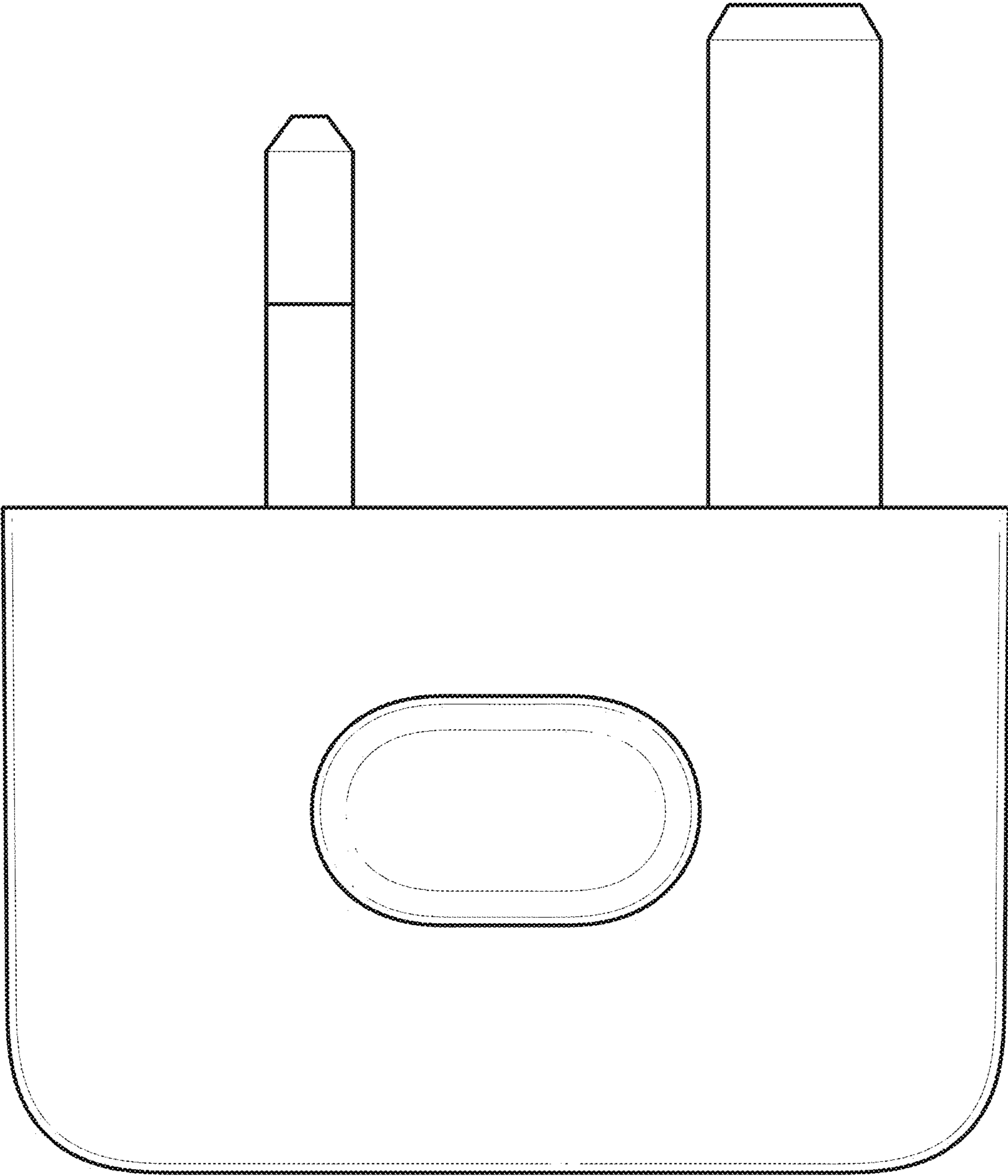


FIG. 4

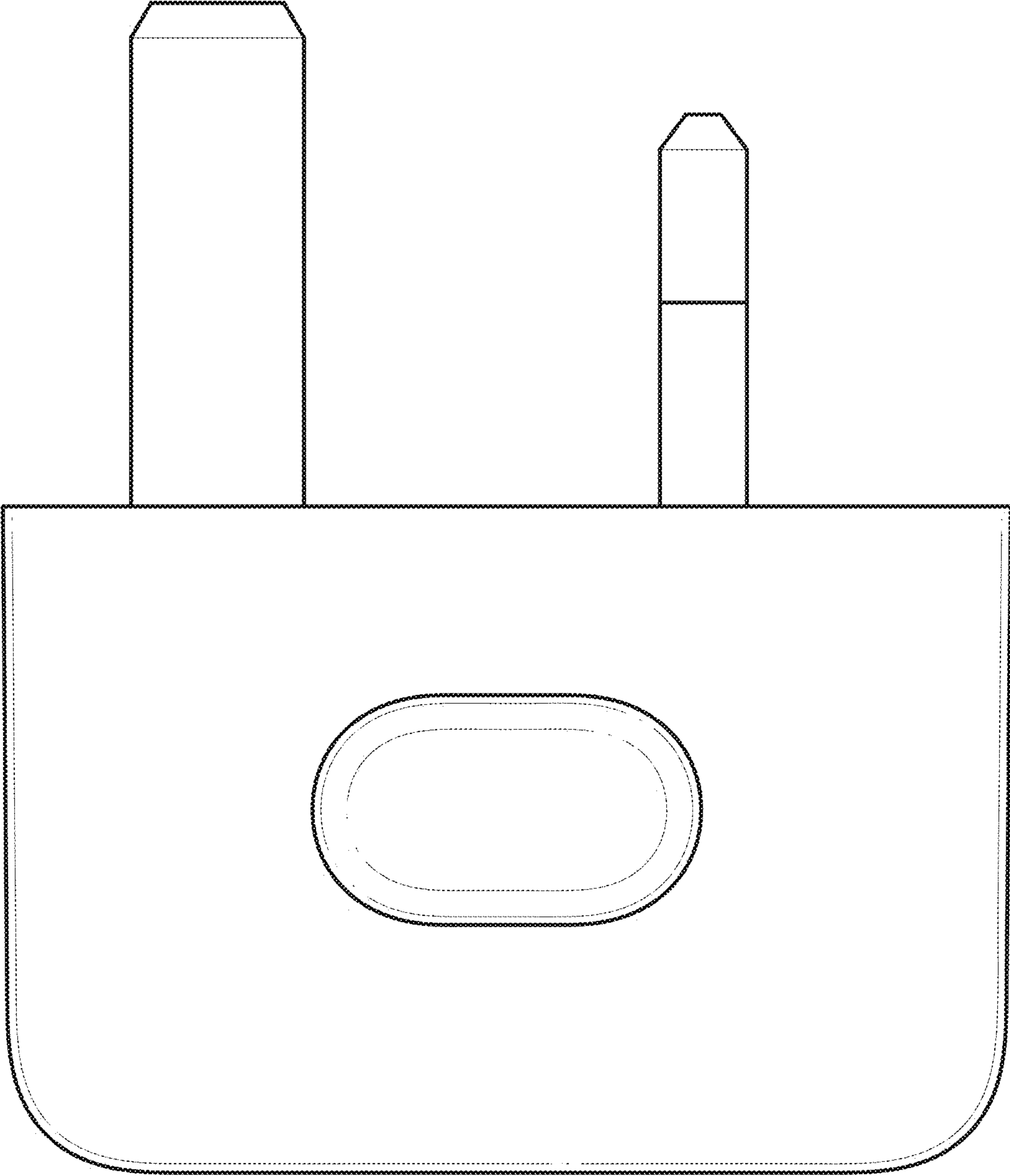


FIG. 5

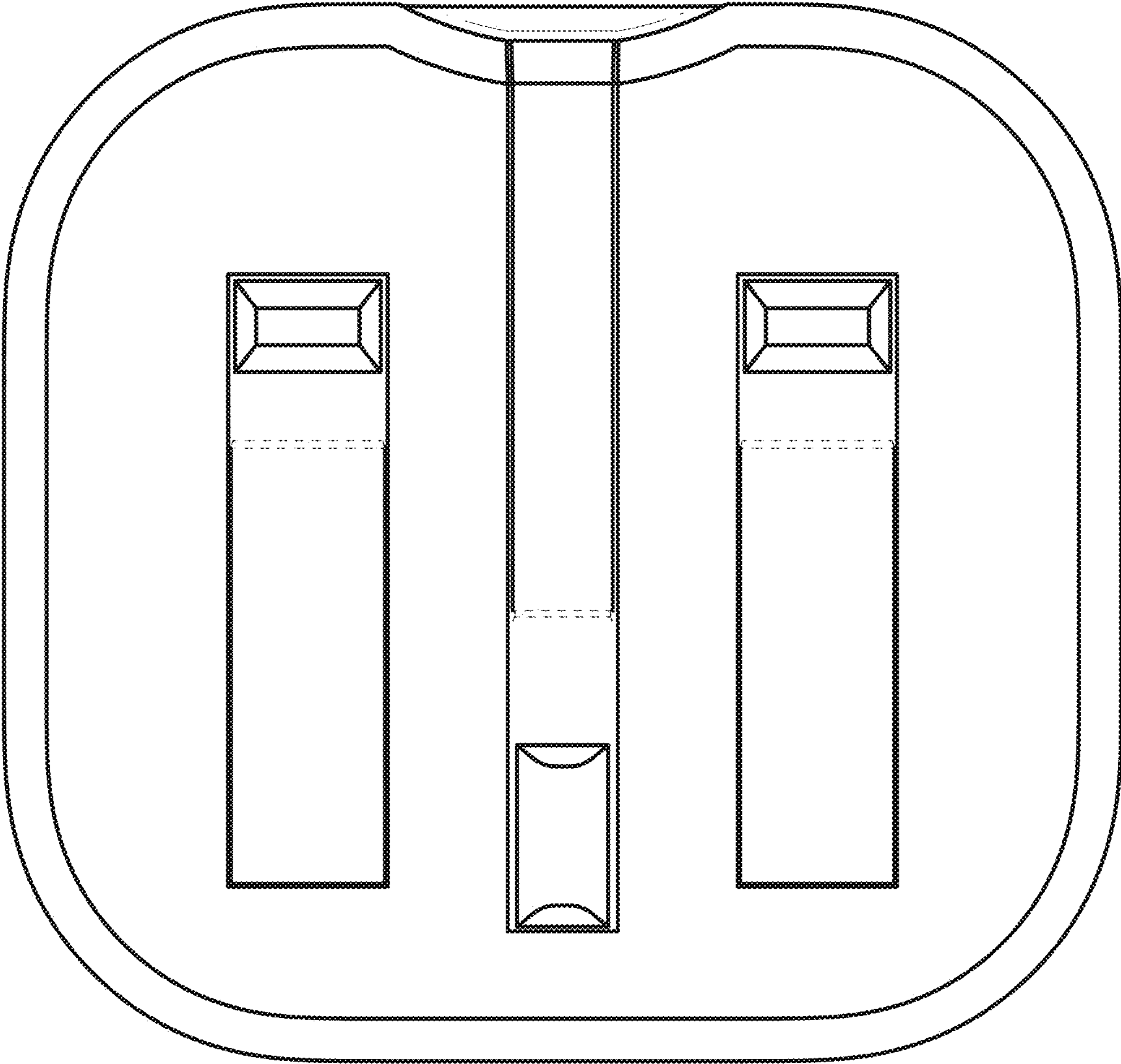
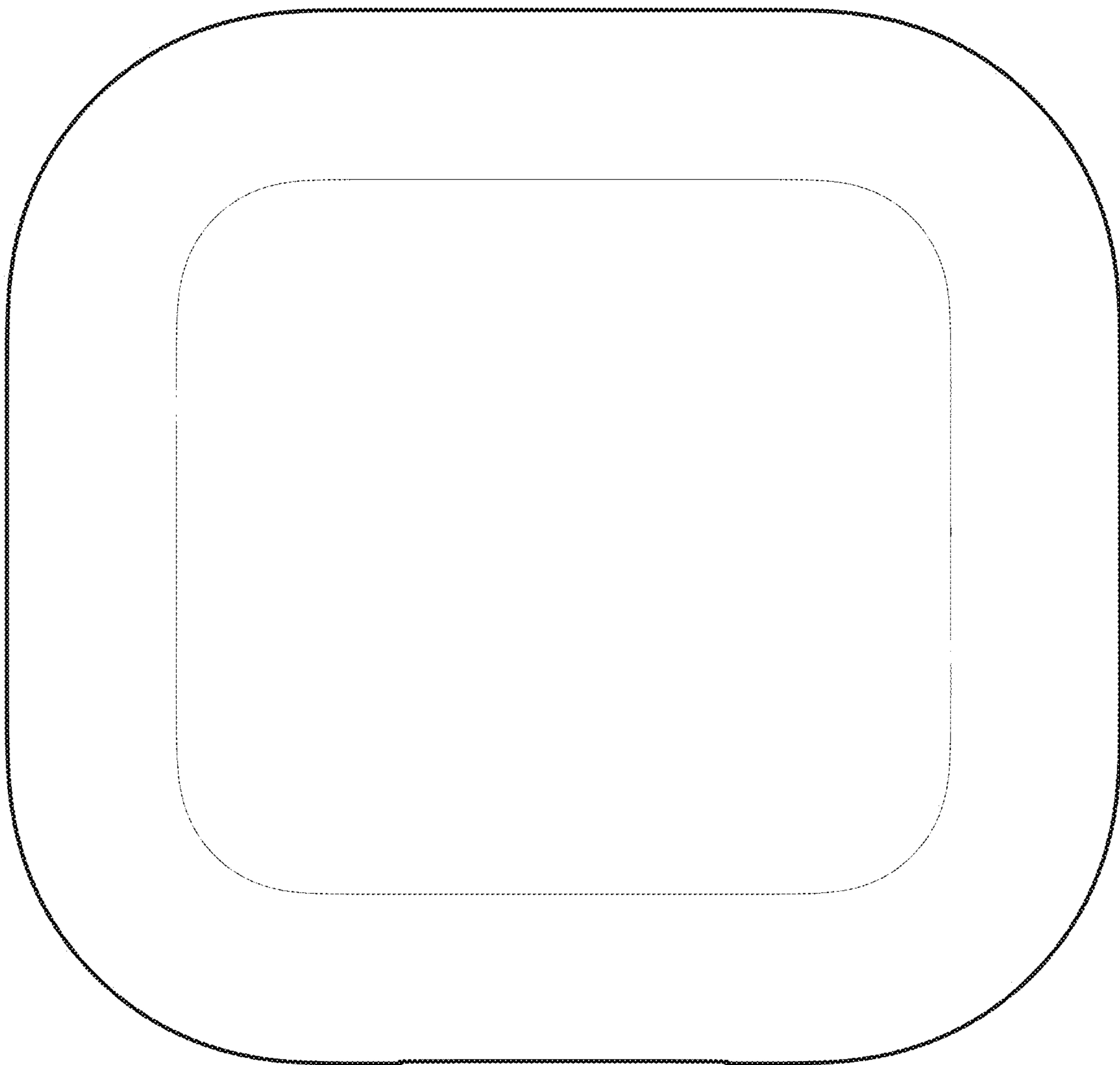


FIG. 6





*FIG. 7*

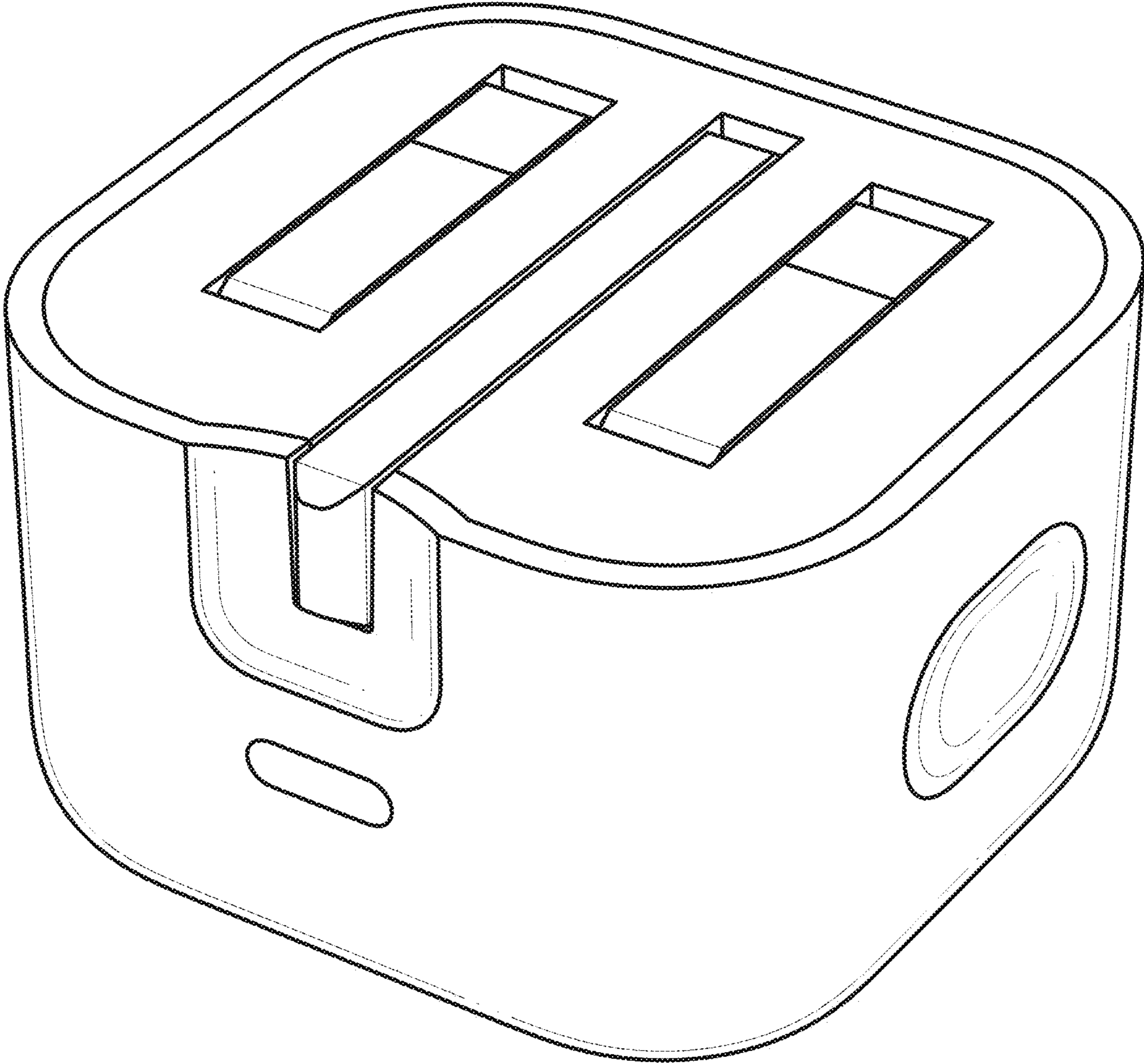
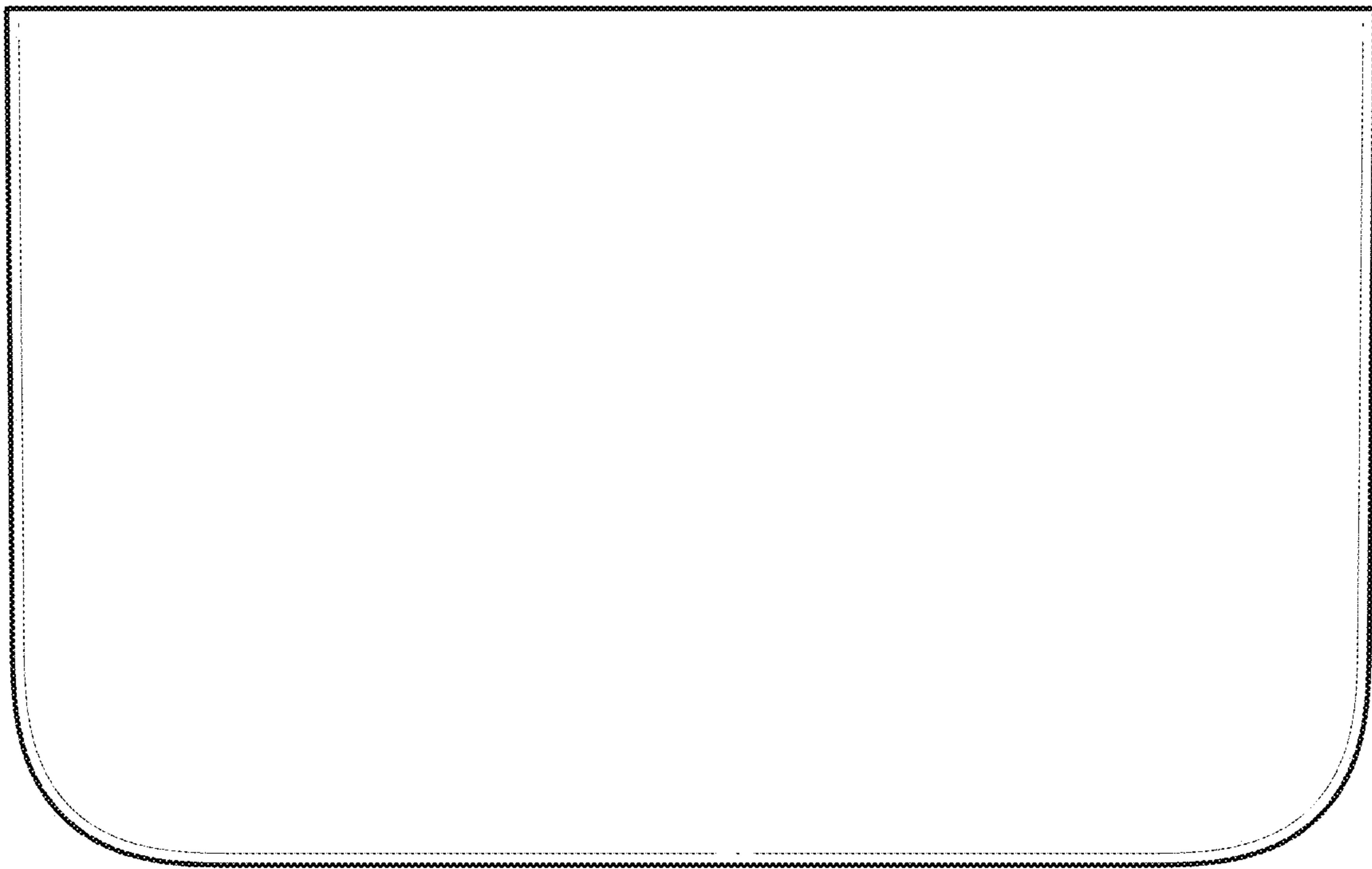


FIG. 8



*FIG. 9*

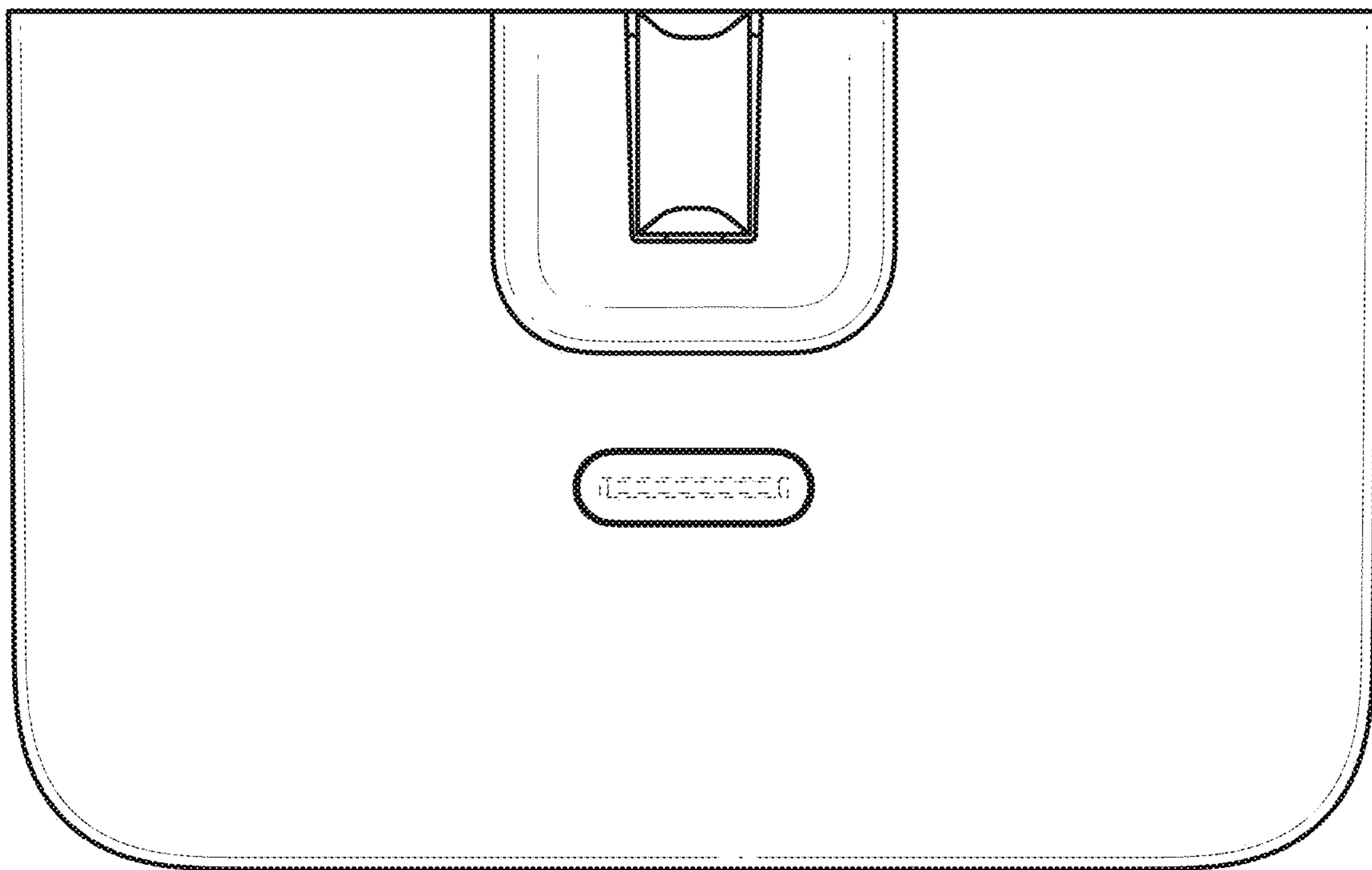
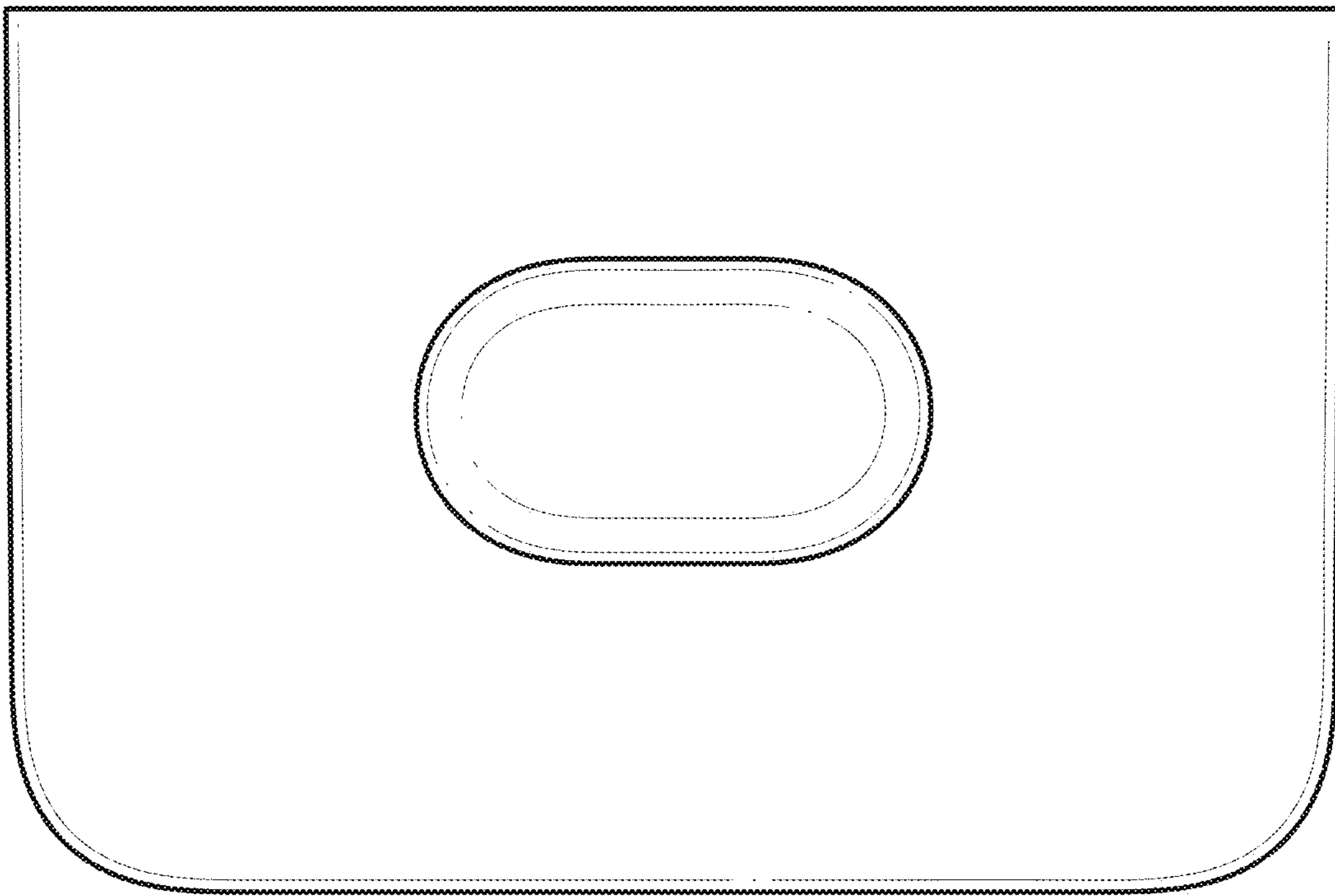
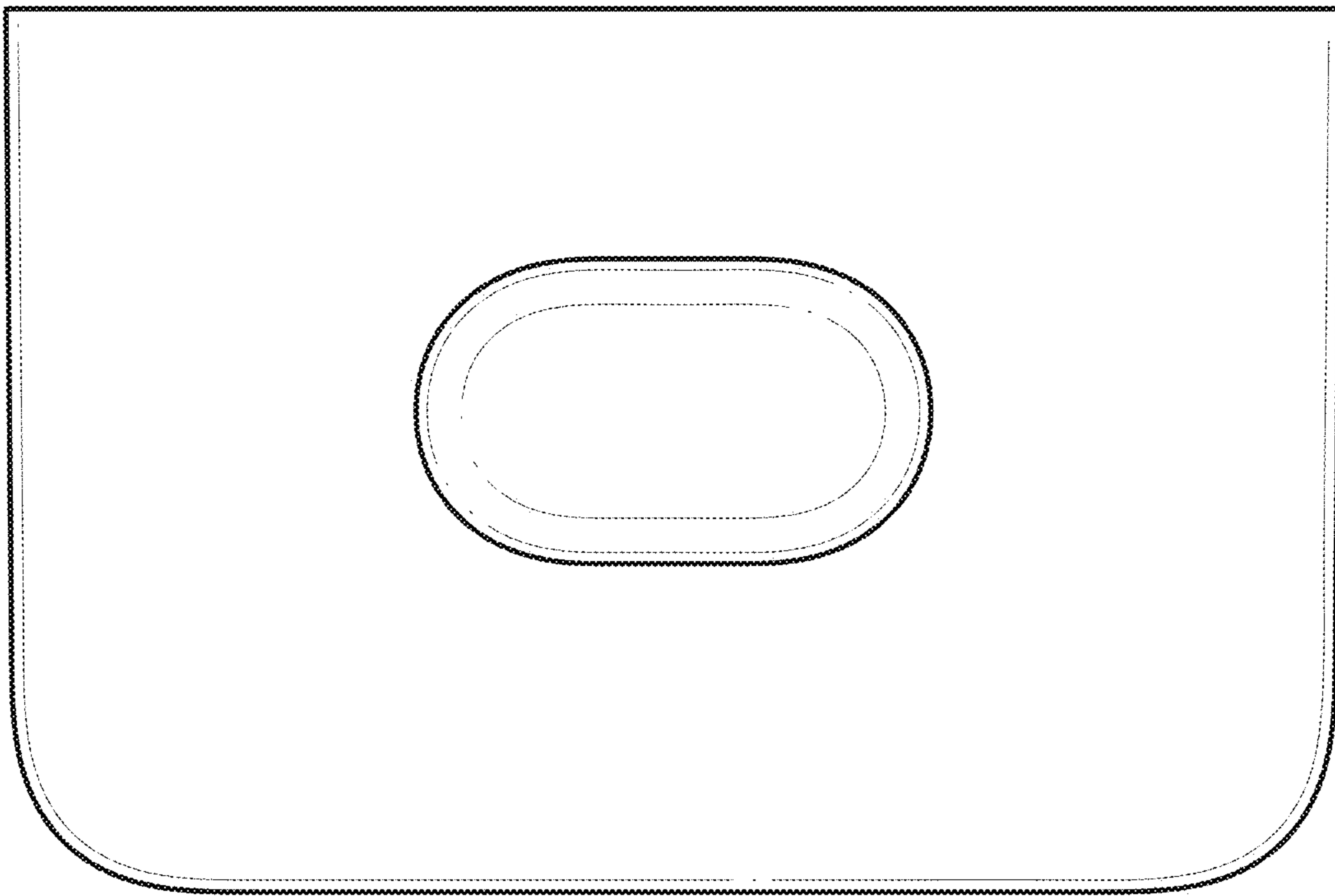


FIG. 10



**FIG. 11**



*FIG. 12*

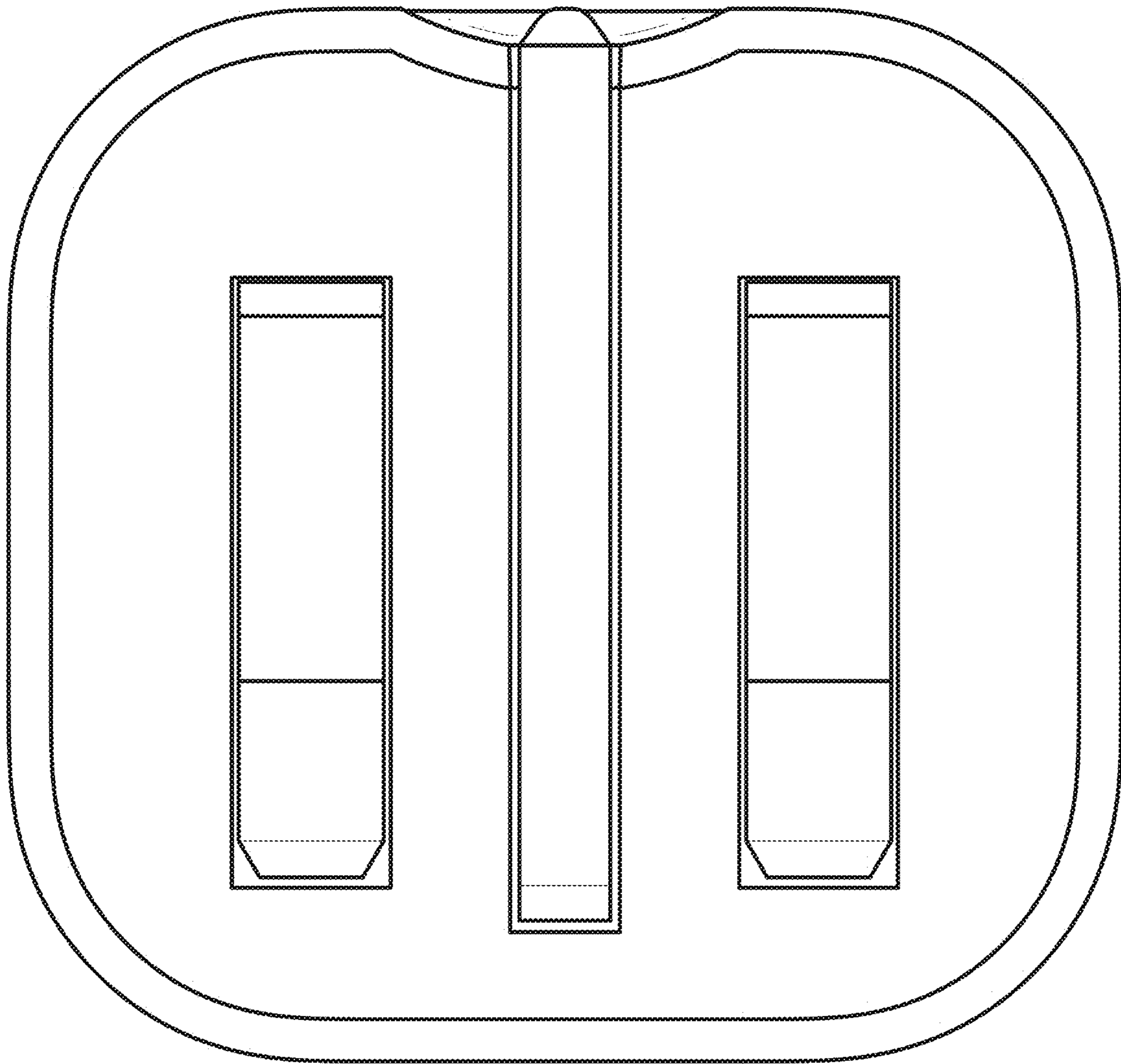
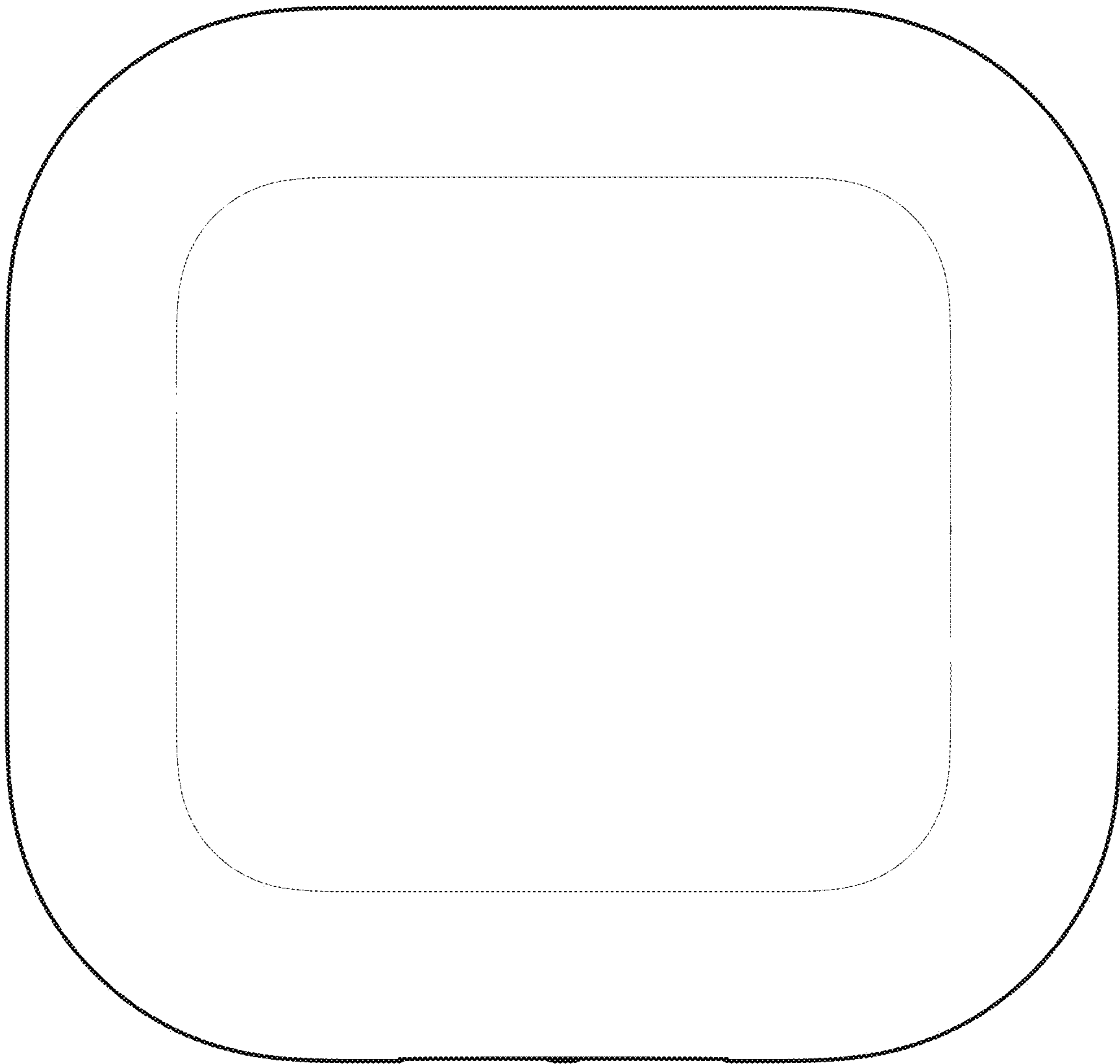


FIG. 13



*FIG. 14*