



US00D903588S

(12) **United States Design Patent**
Shoemake et al.

(10) **Patent No.:** **US D903,588 S**

(45) **Date of Patent:** **** Dec. 1, 2020**

(54) **ELECTRONIC DEVICE CHARGER WITH ILLUMINATION**

(71) Applicant: **CASE-MATE, INC.**, Atlanta, GA (US)

(72) Inventors: **Allan Shoemake**, Boonton, NJ (US);
Robert Pedersen, II, Holladay, UT (US); **Mike Voss**, Park City, UT (US)

(73) Assignee: **CASE-MATE, INC.**, Atlanta, GA (US)

(**) Term: **15 Years**

(21) Appl. No.: **29/645,056**

(22) Filed: **Apr. 23, 2018**

(51) **LOC (12) Cl.** **13-02**

(52) **U.S. Cl.**
USPC **D13/108**; D13/103

(58) **Field of Classification Search**
USPC D13/107–110, 118–119, 184; D14/251, D14/253, 432, 434
CPC Y02E 60/12; Y02T 90/14; Y02T 90/122; Y02T 90/128; Y02T 90/163; H02J 7/025; H02J 7/0042; H02J 7/0044; H02J 7/0045; H02J 7/0013; H02J 7/0003; H01F 38/14; H01R 13/6675; H01M 2/1022; H01M 2/1055; H01M 10/44; H01M 10/46; H01M 10/425; B60L 11/182
See application file for complete search history.

(56) **References Cited**

U.S. PATENT DOCUMENTS

D446,499	S	*	8/2001	Andre	D13/110
D531,178	S	*	10/2006	Lee	D14/367
D542,784	S	*	5/2007	Franck	D14/240
D584,744	S	*	1/2009	Lee	D14/496
D586,740	S	*	2/2009	Song	D13/103
D612,329	S	*	3/2010	Guccione	D13/108
D612,868	S	*	3/2010	Morabito	D14/496
D656,955	S	*	4/2012	Akana	D14/203.3

D665,734	S	*	8/2012	Fitch	D13/107
D711,821	S	*	8/2014	Wang	D13/103
D722,018	S	*	2/2015	Wang	D13/103
9,086,610	B2		7/2015	Shoemake et al.		
D743,889	S	*	11/2015	Lyles	D13/110
D745,505	S	*	12/2015	Barfoot	D14/250

(Continued)

Primary Examiner — Nathaniel D. Buckner

(74) *Attorney, Agent, or Firm* — Gardner Groff & Greenwald, PC

(57) **CLAIM**

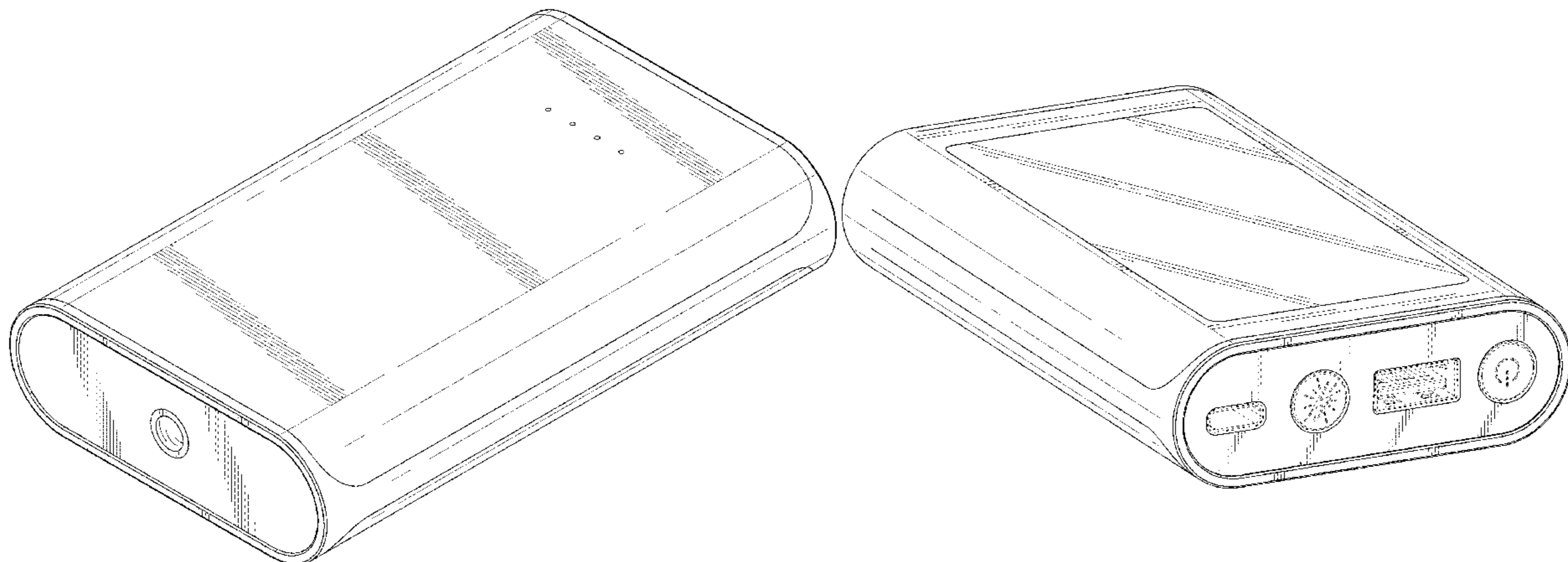
The ornamental design for an electronic device charger with illumination, as shown and described.

DESCRIPTION

FIG. 1 is a rear perspective view of a first embodiment of an electronic device charger with illumination.
FIG. 2 is a front perspective view of the electronic device charger with illumination of FIG. 1.
FIG. 3 is a bottom view of the electronic device charger with illumination of FIG. 1.
FIG. 4 is a top view of the electronic device charger with illumination of FIG. 1.
FIG. 5 is a left side view of the electronic device charger with illumination of FIG. 1.
FIG. 6 is a right side view of the electronic device charger with illumination of FIG. 1.
FIG. 7 is a rear view of the electronic device charger with illumination of FIG. 1; and,
FIG. 8 is a front view of the electronic device charger with illumination of FIG. 1.

Broken lines in the Figures illustrate portions of the electronic device charger with illumination that form no part of the claimed design. Applicant hereby reserves the right to file one or more continuation applications claiming designs in which any one or more of the disclosed solid lines are broken and/or in which any one or more of the disclosed broken lines are solid.

1 Claim, 8 Drawing Sheets



(56)

References Cited

U.S. PATENT DOCUMENTS

D746,771 S * 1/2016 Perez D13/108
 D762,164 S * 7/2016 Lin D13/103
 D763,185 S * 8/2016 Wen D13/103
 D768,069 S * 10/2016 Hoshikawa D13/103
 9,464,796 B2 10/2016 Shoemake et al.
 D782,415 S * 3/2017 Zhang D13/108
 9,593,842 B2 3/2017 Shoemake et al.
 D787,443 S * 5/2017 Chiang D13/110
 D788,037 S * 5/2017 Hung D13/110
 D789,293 S * 6/2017 Toiviainen D13/108
 D824,328 S * 7/2018 Liu D13/108
 D826,854 S * 8/2018 Roberts D13/108
 D827,569 S * 9/2018 Roberts D13/108
 D827,594 S * 9/2018 Shim D13/184
 D828,829 S 9/2018 Shoemake et al.
 D829,719 S * 10/2018 Shim D14/435
 D830,358 S * 10/2018 Wietzke D14/358
 D832,781 S * 11/2018 Nook D13/107
 D833,411 S * 11/2018 Castle D14/155
 D839,823 S * 2/2019 Lemelson D13/103
 D842,237 S * 3/2019 Qiu D13/103
 D847,811 S * 5/2019 Shim D14/356

D847,813 S * 5/2019 Jun D14/356
 D848,417 S * 5/2019 Shim D14/356
 D848,419 S * 5/2019 Jun D14/356
 D850,368 S * 6/2019 Paladino D13/108
 D851,033 S * 6/2019 Yuk D13/108
 D854,531 S 7/2019 Shoemake et al.
 D864,109 S * 10/2019 Lv D13/108
 D867,280 S * 11/2019 Chen D13/103
 D871,324 S * 12/2019 Roberts D13/108
 10,495,946 B2 12/2019 Shoemake et al.
 D873,212 S * 1/2020 Chang D13/107
 D873,215 S * 1/2020 Wu D13/108
 D875,036 S * 2/2020 Gan D13/103
 D875,667 S * 2/2020 Tyler D13/103
 D875,669 S * 2/2020 Miller H02J 7/025
 D13/108
 D877,075 S * 3/2020 Liao D13/110
 D879,712 S * 3/2020 Fan D13/108
 D881,121 S * 4/2020 Roberts D13/108
 D881,807 S * 4/2020 Xu D13/108
 D881,810 S * 4/2020 Zhang D13/108
 D883,925 S * 5/2020 Yoon D13/108
 D884,632 S * 5/2020 Xie D13/119
 D885,327 S * 5/2020 Leeds-Frank D13/103
 2020/0012174 A1 1/2020 Shoemake et al.

* cited by examiner

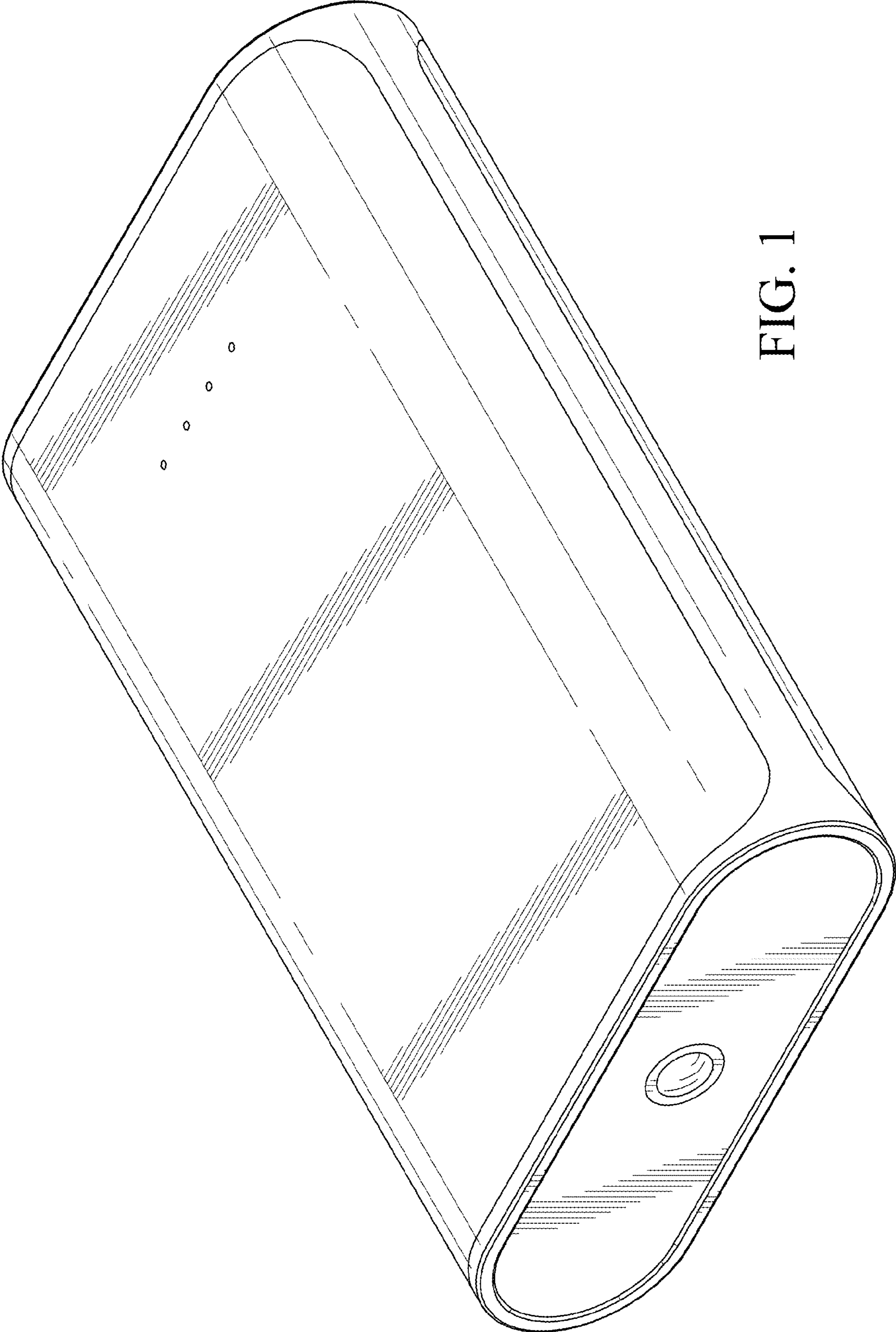


FIG. 1

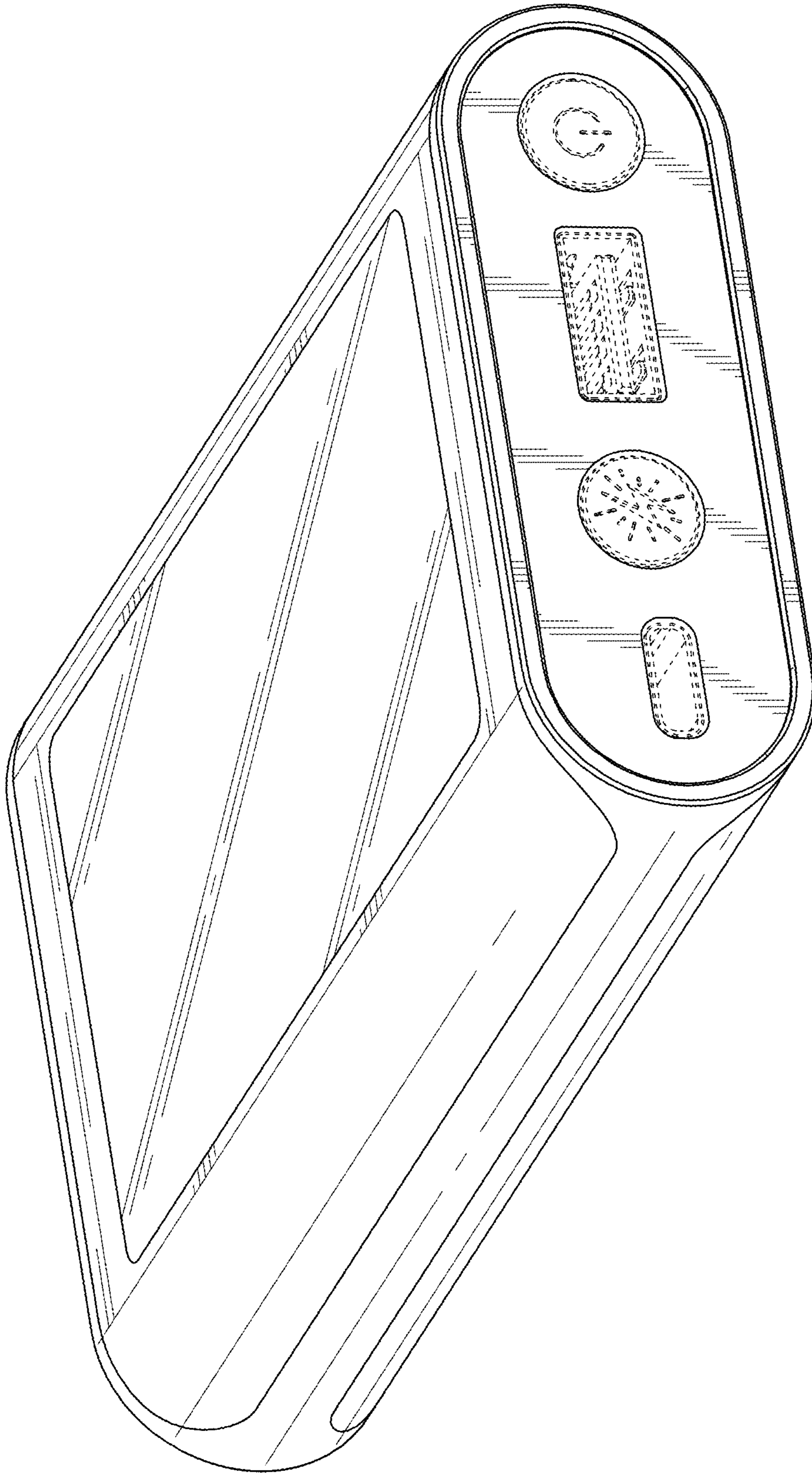


FIG. 2

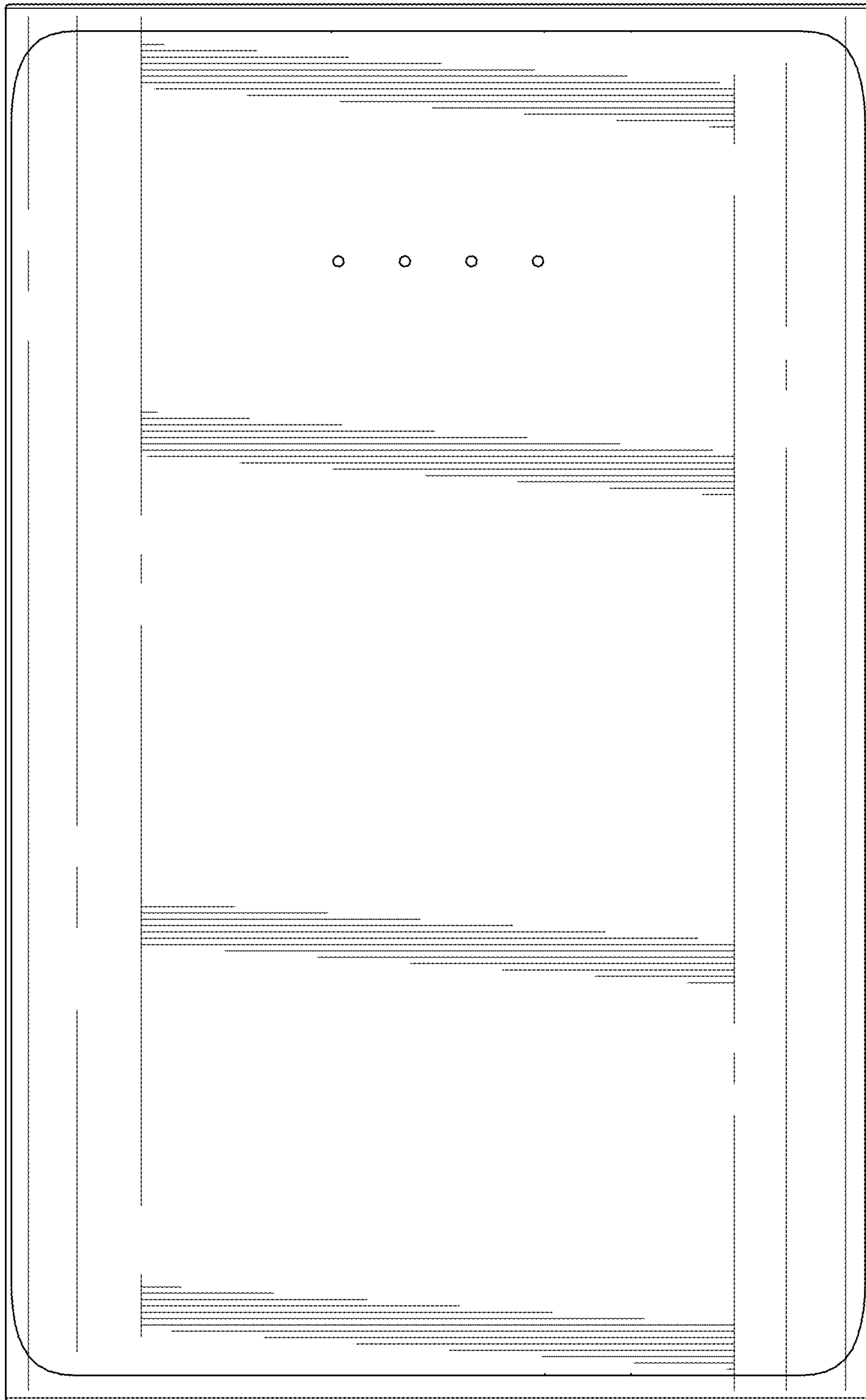


FIG. 3

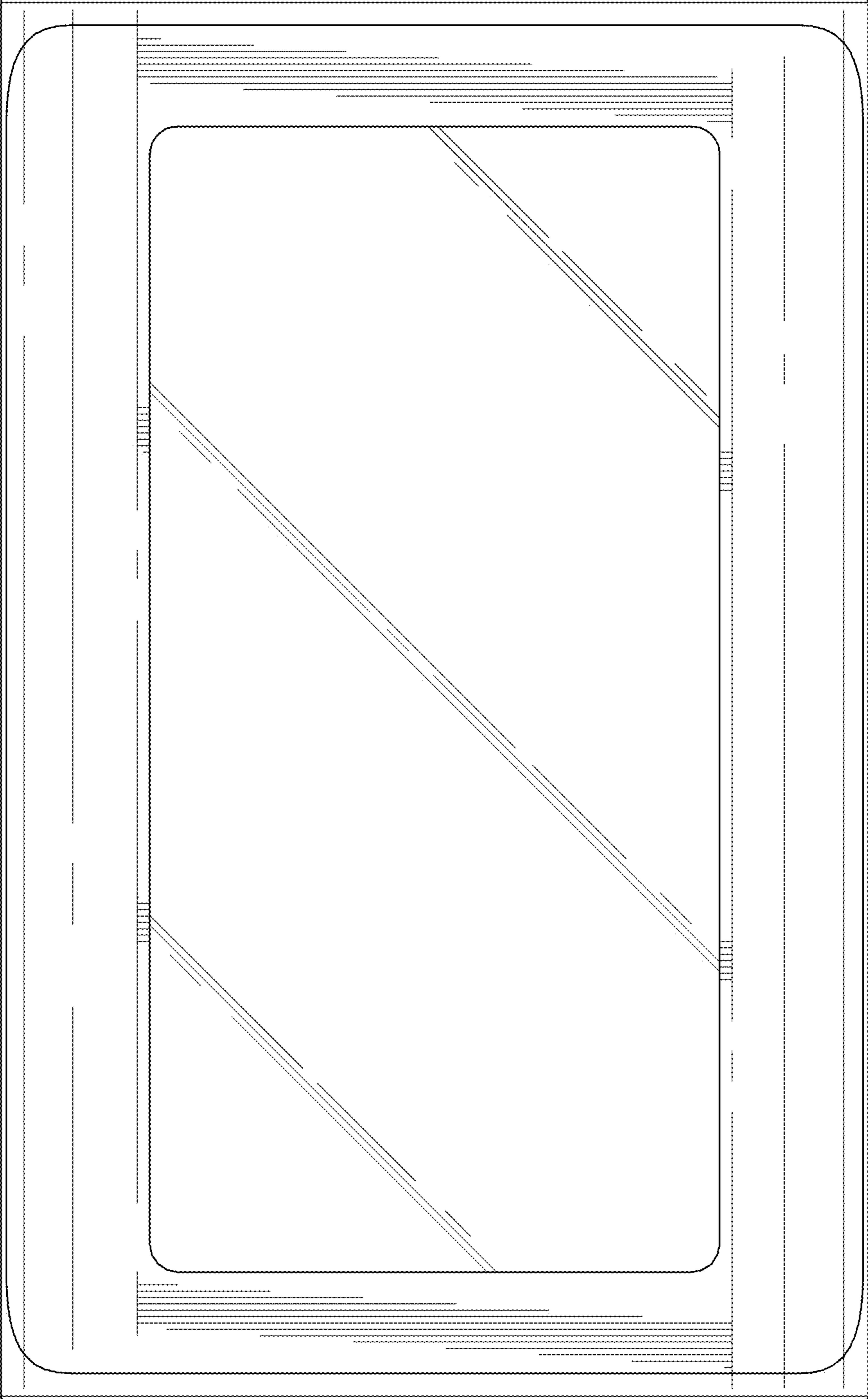


FIG. 4

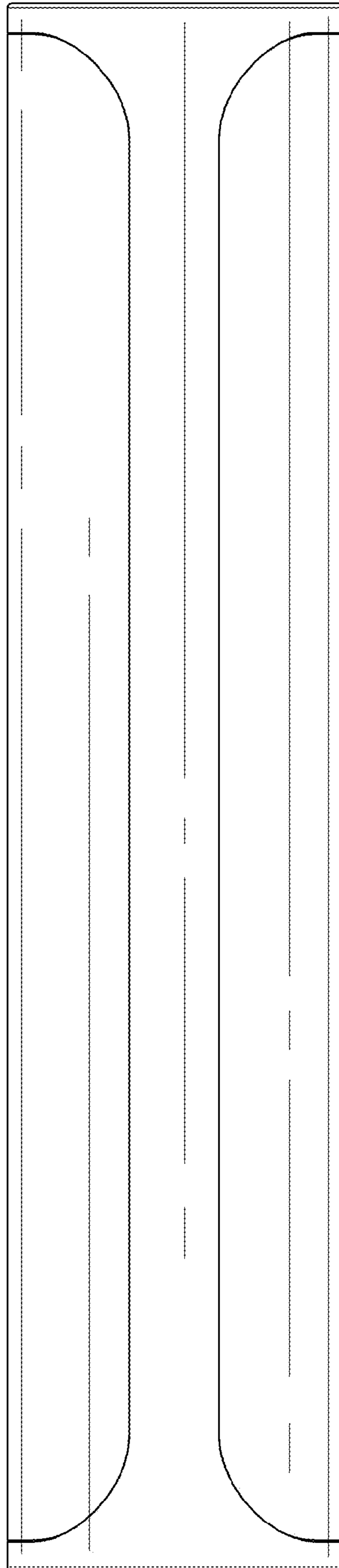


FIG. 5

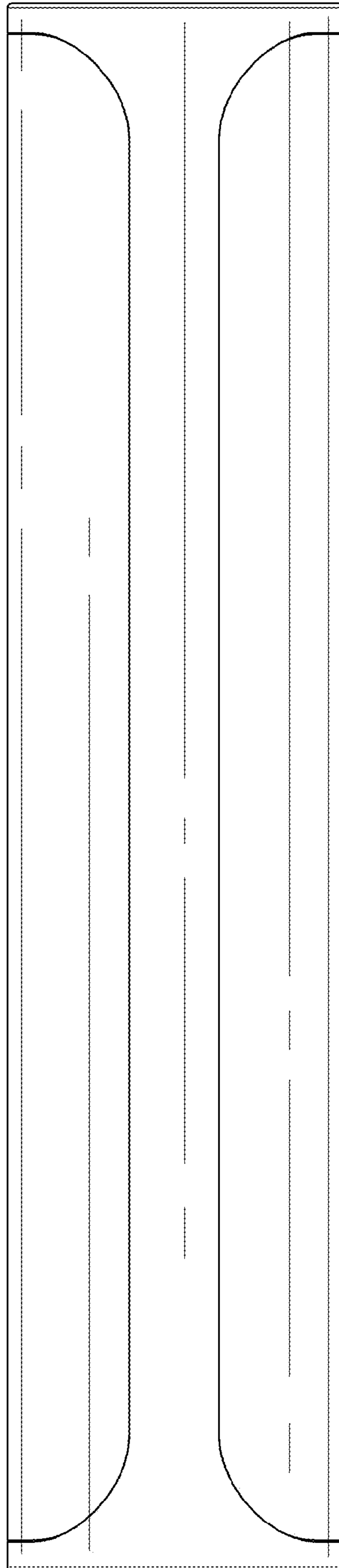


FIG. 6

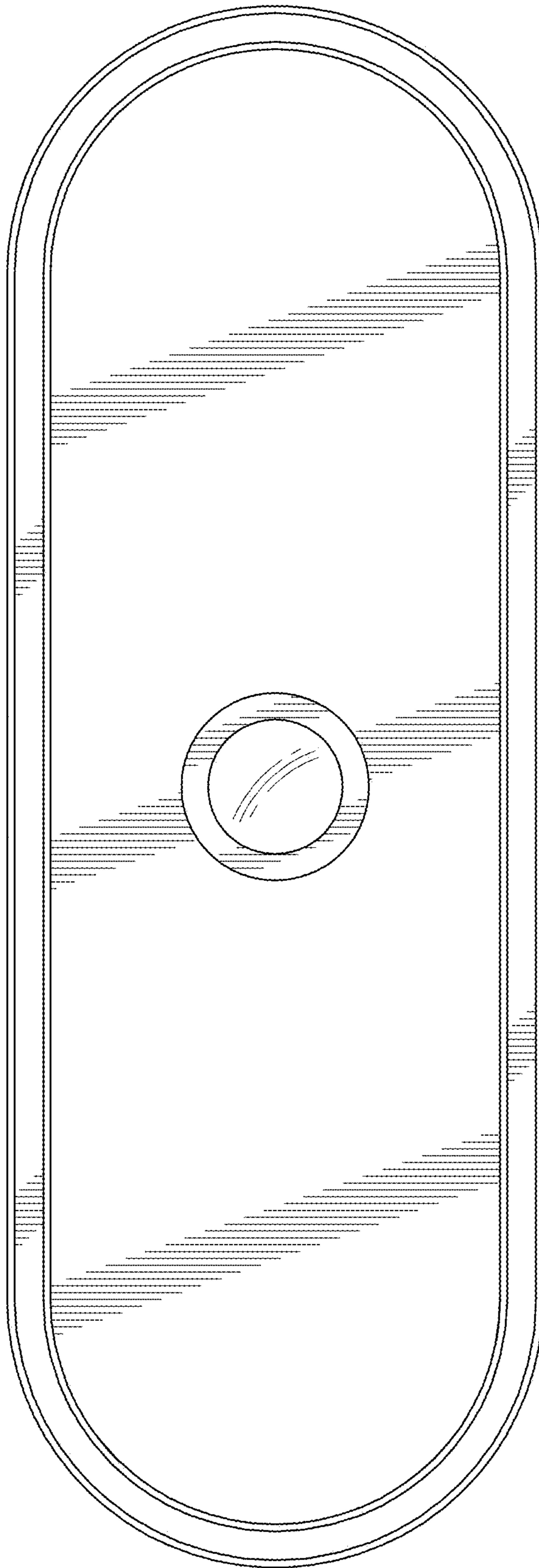


FIG. 7

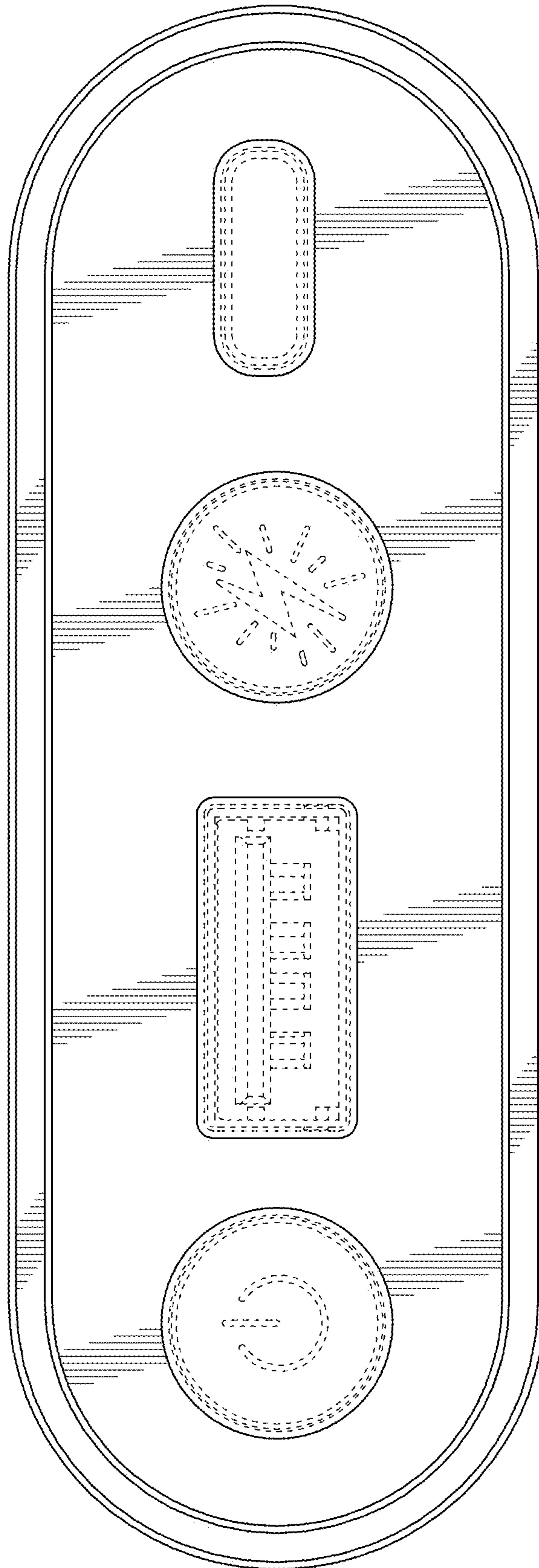


FIG. 8