



US00D903586S

(12) **United States Design Patent**
Jiang

(10) **Patent No.:** **US D903,586 S**

(45) **Date of Patent:** **** Dec. 1, 2020**

- (54) **EV CHARGER CONTROL BOX**
- (71) Applicant: **ORANGEQ SOLUTIONS CO.**, Reno, NV (US)
- (72) Inventor: **Le Jiang**, Guangzhou (CN)
- (**) Term: **15 Years**
- (21) Appl. No.: **29/690,242**
- (22) Filed: **May 7, 2019**
- (51) **LOC (12) Cl.** **13-02**
- (52) **U.S. Cl.**
USPC **D13/107**
- (58) **Field of Classification Search**
USPC D13/107, 108, 118, 119, 162, 163, 184, D13/199; 320/103–105, 107, 108, 109
CPC B60L 11/1809; B60L 11/1825; B60L 11/187; Y02T 90/14; Y02T 90/16
See application file for complete search history.

- 2013/0175989 A1* 7/2013 Bonwit B60L 53/16 320/109
- 2013/0322017 A1* 12/2013 Muller B60L 3/0069 361/690
- 2015/0042276 A1* 2/2015 Biedrzycki B60L 53/30 320/109
- 2015/0054462 A1* 2/2015 Weidinger H02J 7/007194 320/109
- 2015/0077239 A1* 3/2015 Litjen B60L 53/18 340/455
- 2016/0121747 A1* 5/2016 Jefferies H02G 3/0493 320/109
- 2018/0201143 A1* 7/2018 Lu B60L 53/16
- 2020/0016992 A1* 1/2020 Kohler G06Q 20/145
- 2020/0227903 A1* 7/2020 Helnerus H02J 7/0042

* cited by examiner

Primary Examiner — Selina Sikder
(74) *Attorney, Agent, or Firm* — ZANIP

(57) **CLAIM**

The ornamental design for an EV charger control box, as shown and described.

(56) **References Cited**

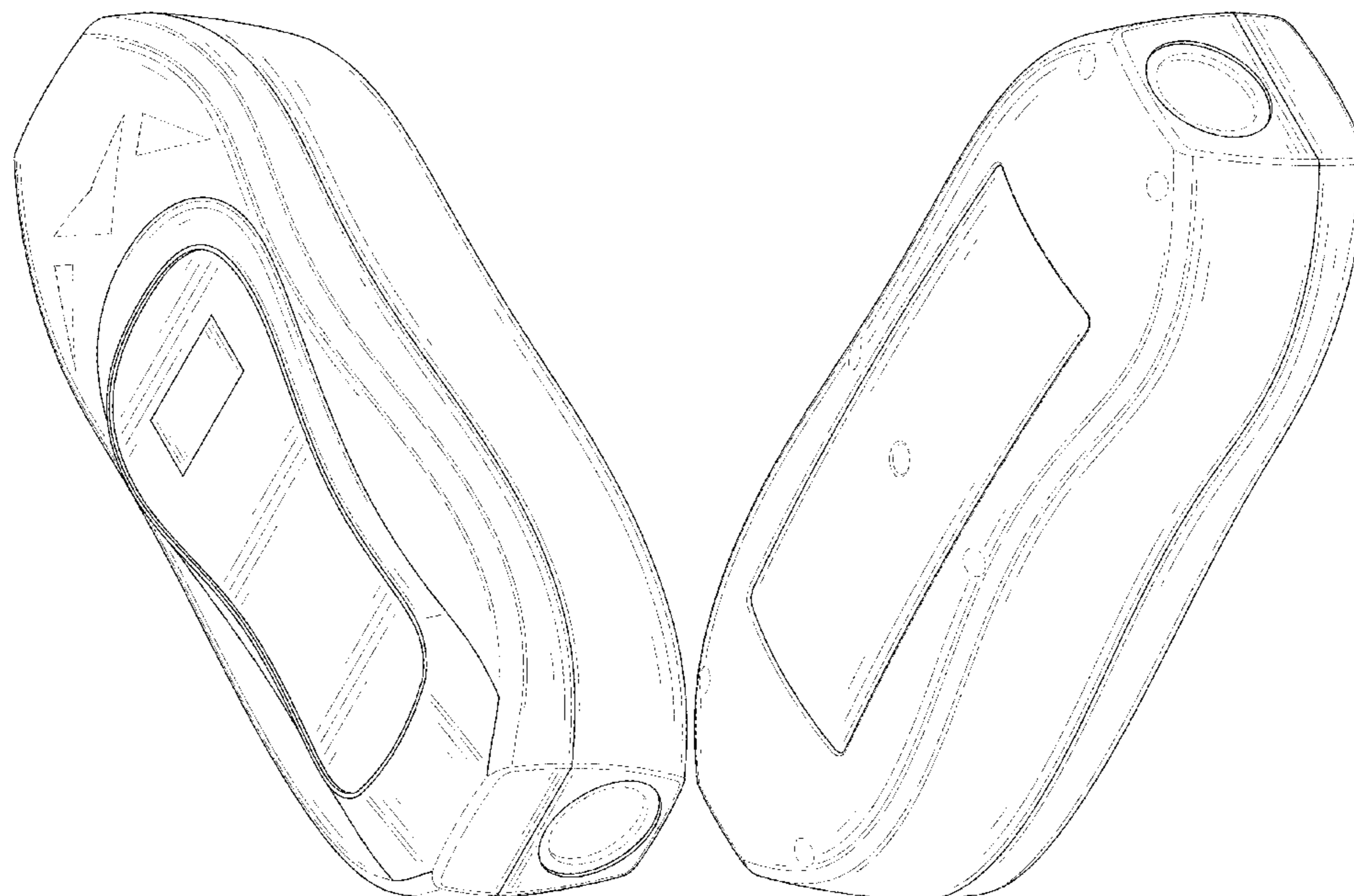
U.S. PATENT DOCUMENTS

- D641,694 S * 7/2011 Akahori D13/107
- D665,345 S * 8/2012 Degn D13/107
- D680,952 S * 4/2013 Henderson D13/108
- D686,984 S * 7/2013 Henderson D13/107
- D695,215 S * 12/2013 Neidhart D13/107
- D813,157 S * 3/2018 Rota D13/107
- D830,969 S * 10/2018 Wang D13/107
- D838,668 S * 1/2019 Westfall D13/107
- D842,242 S * 3/2019 Zhang D13/107
- D844,559 S * 4/2019 Mercer D13/107
- D862,383 S * 10/2019 Surbeck D13/107
- D888,657 S * 6/2020 Helnerus D13/107
- D892,726 S * 8/2020 Wang D13/107
- D893,414 S * 8/2020 Mercer D13/107
- 2012/0268067 A1* 10/2012 Poulsen B60L 53/14 320/109

DESCRIPTION

FIG. 1 is a first perspective view of an EV charger control box showing my design;
 FIG. 2 is a second perspective view thereof;
 FIG. 3 is a front view thereof;
 FIG. 4 is a back view thereof;
 FIG. 5 is a left side view thereof;
 FIG. 6 is a right side view thereof;
 FIG. 7 is a top view thereof; and,
 FIG. 8 is a bottom view thereof.
 The broken lines shown in the drawings depict portions of the EV charger control box in which the design is embodied that form no part of the claimed design.

1 Claim, 8 Drawing Sheets



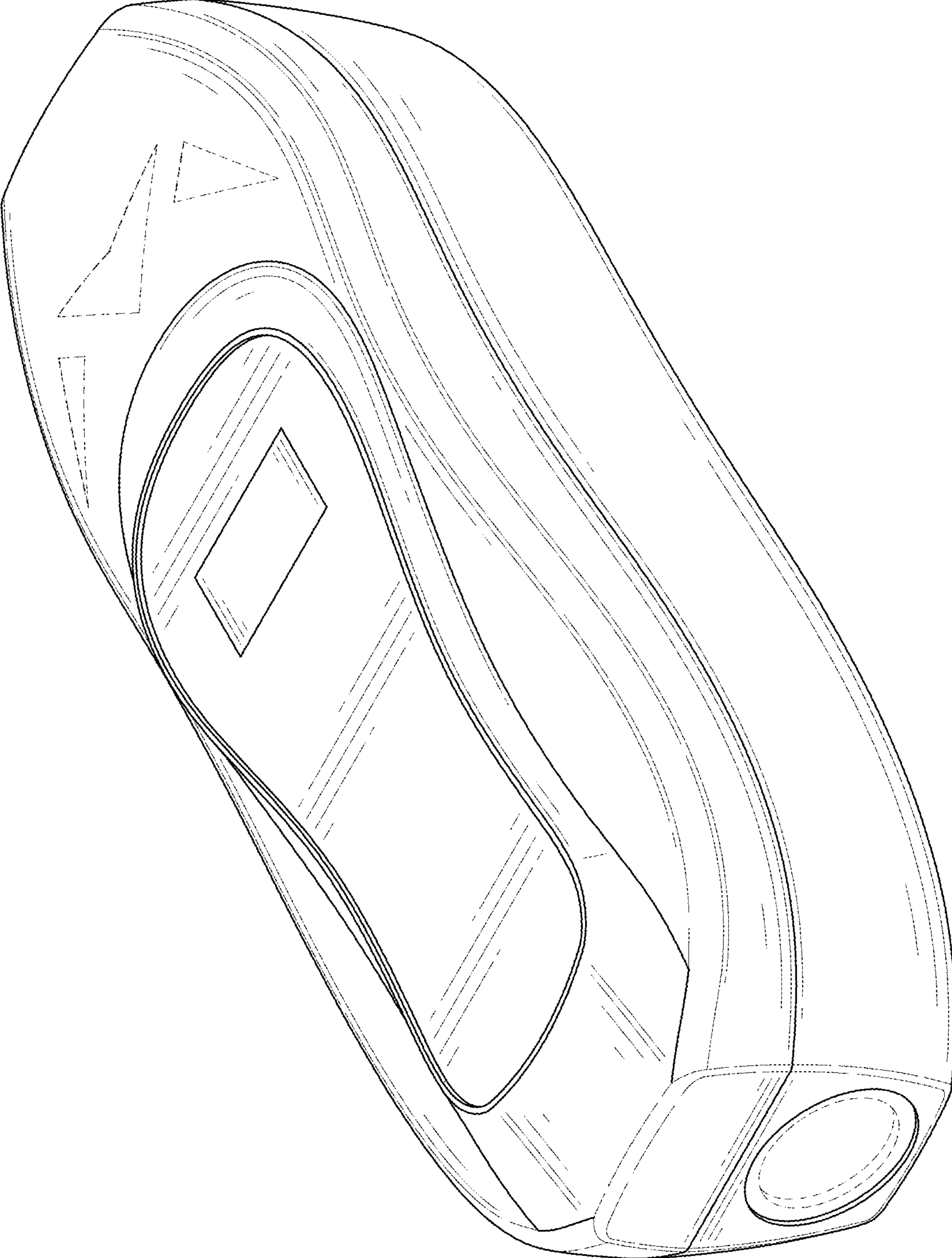


FIG. 1

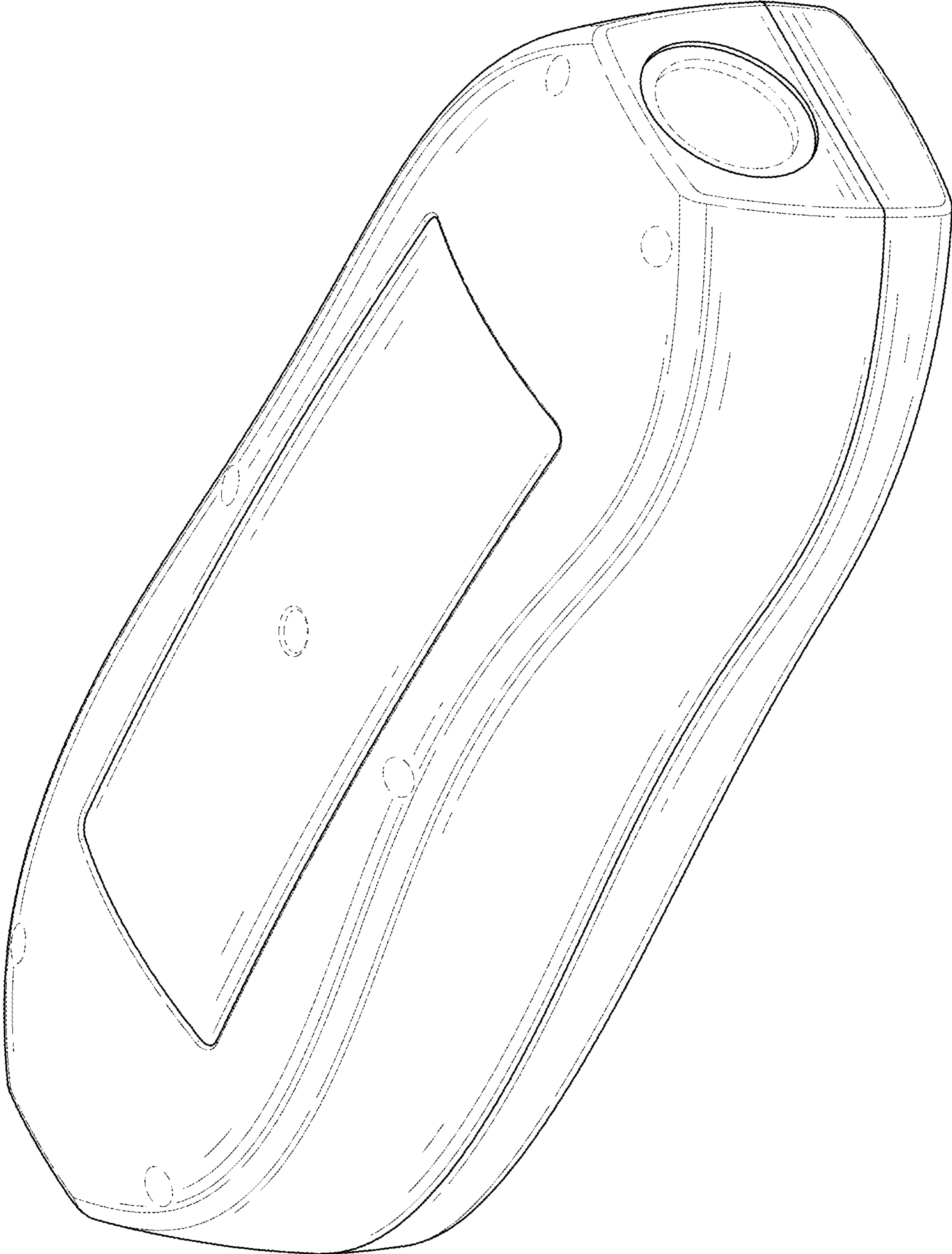


FIG. 2

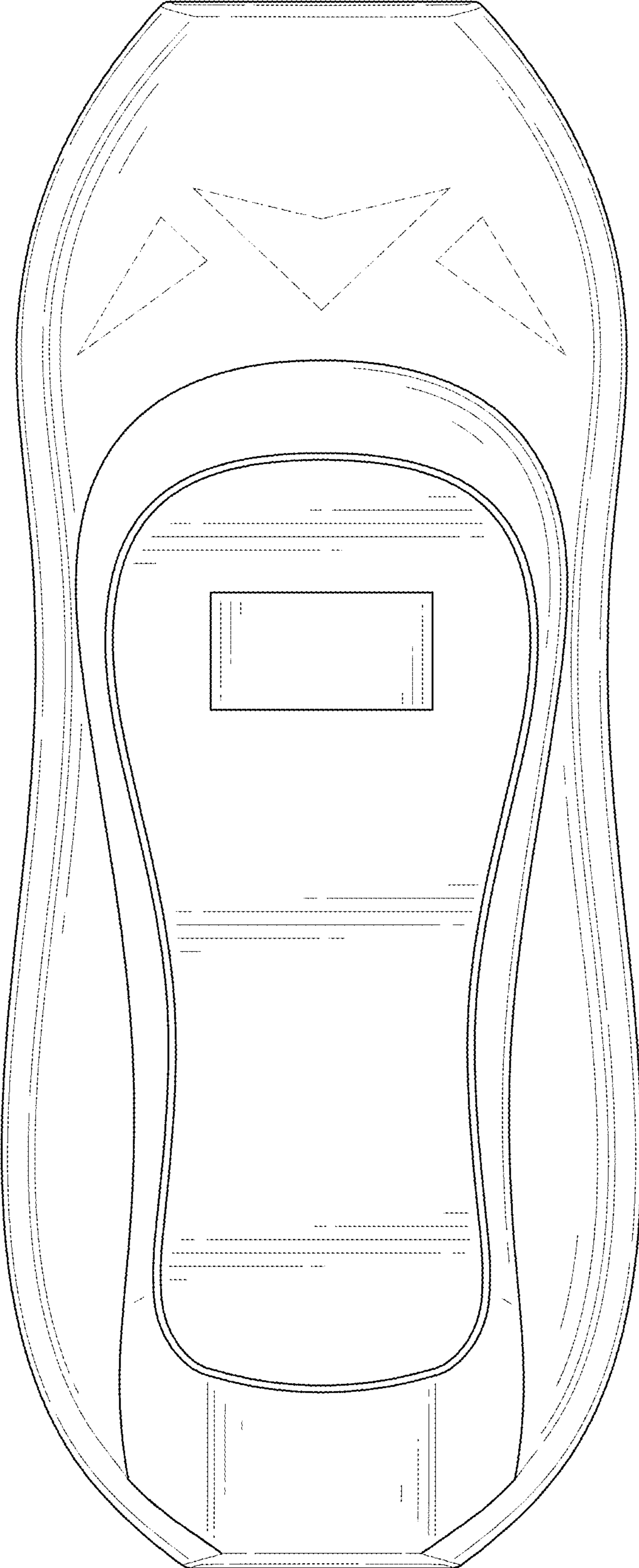


FIG. 3

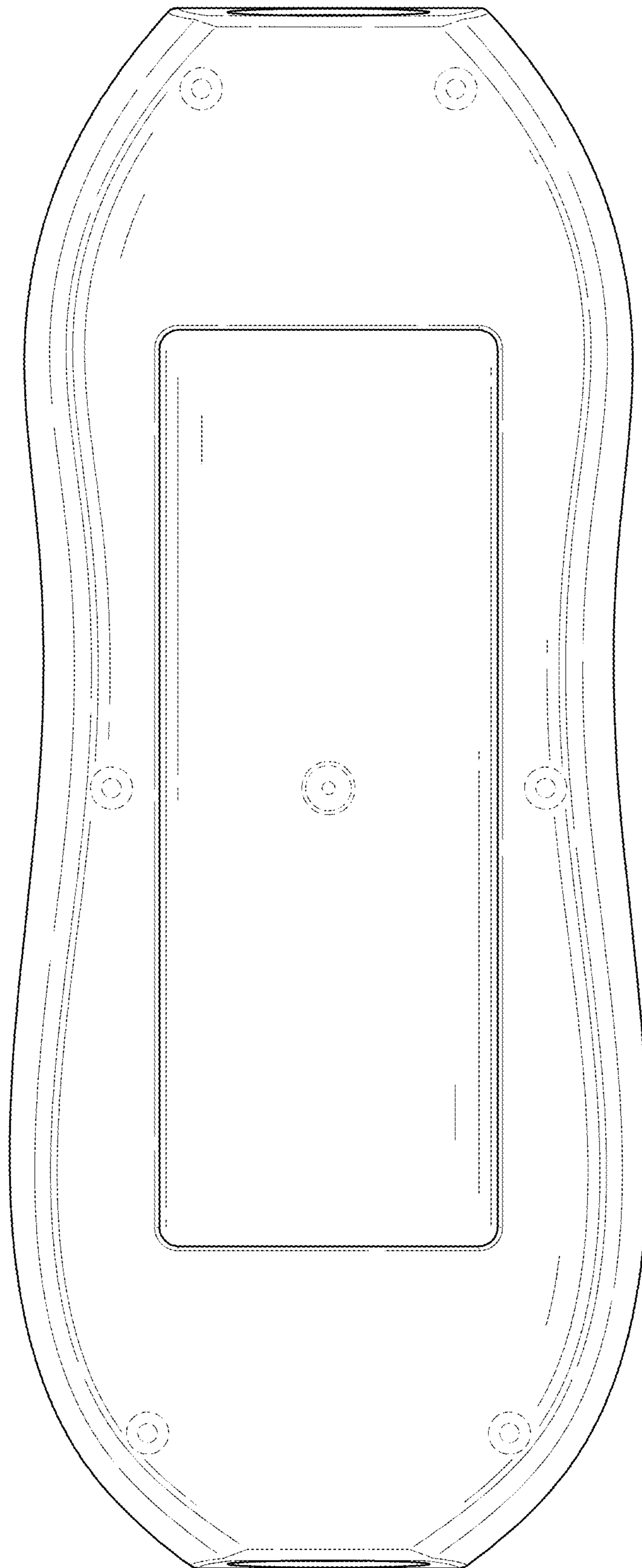


FIG. 4

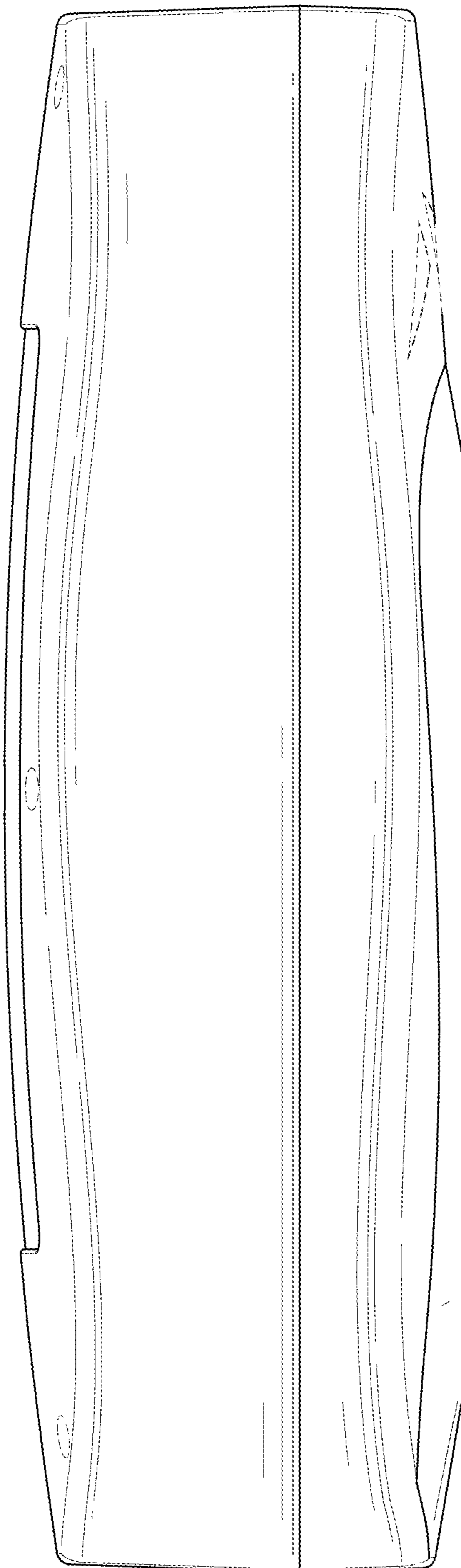


FIG. 5

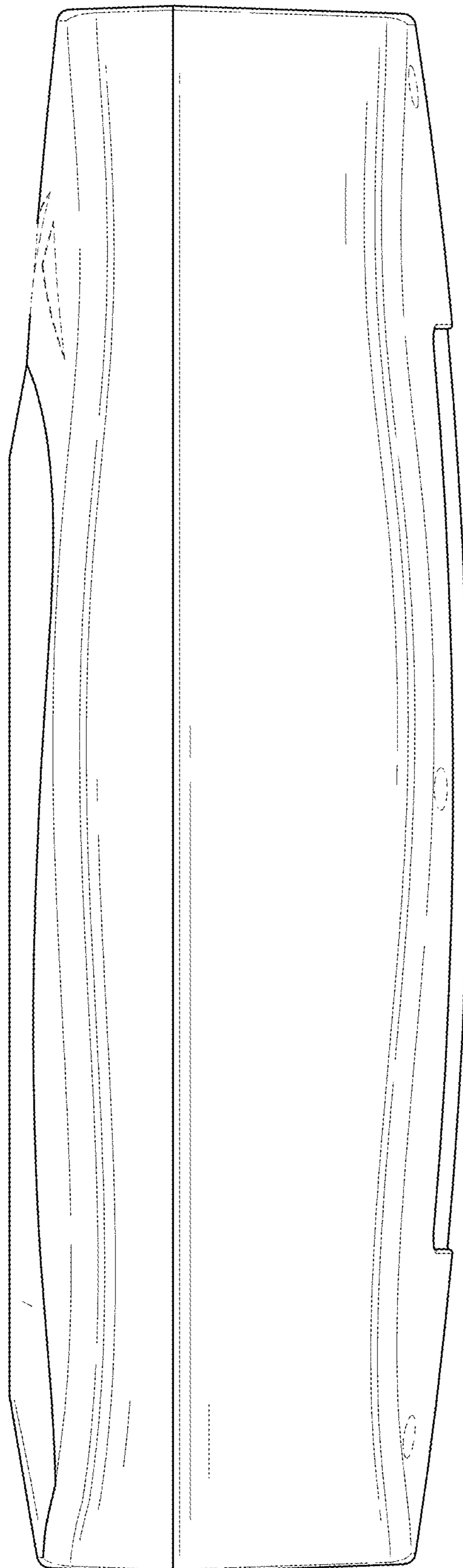


FIG. 6

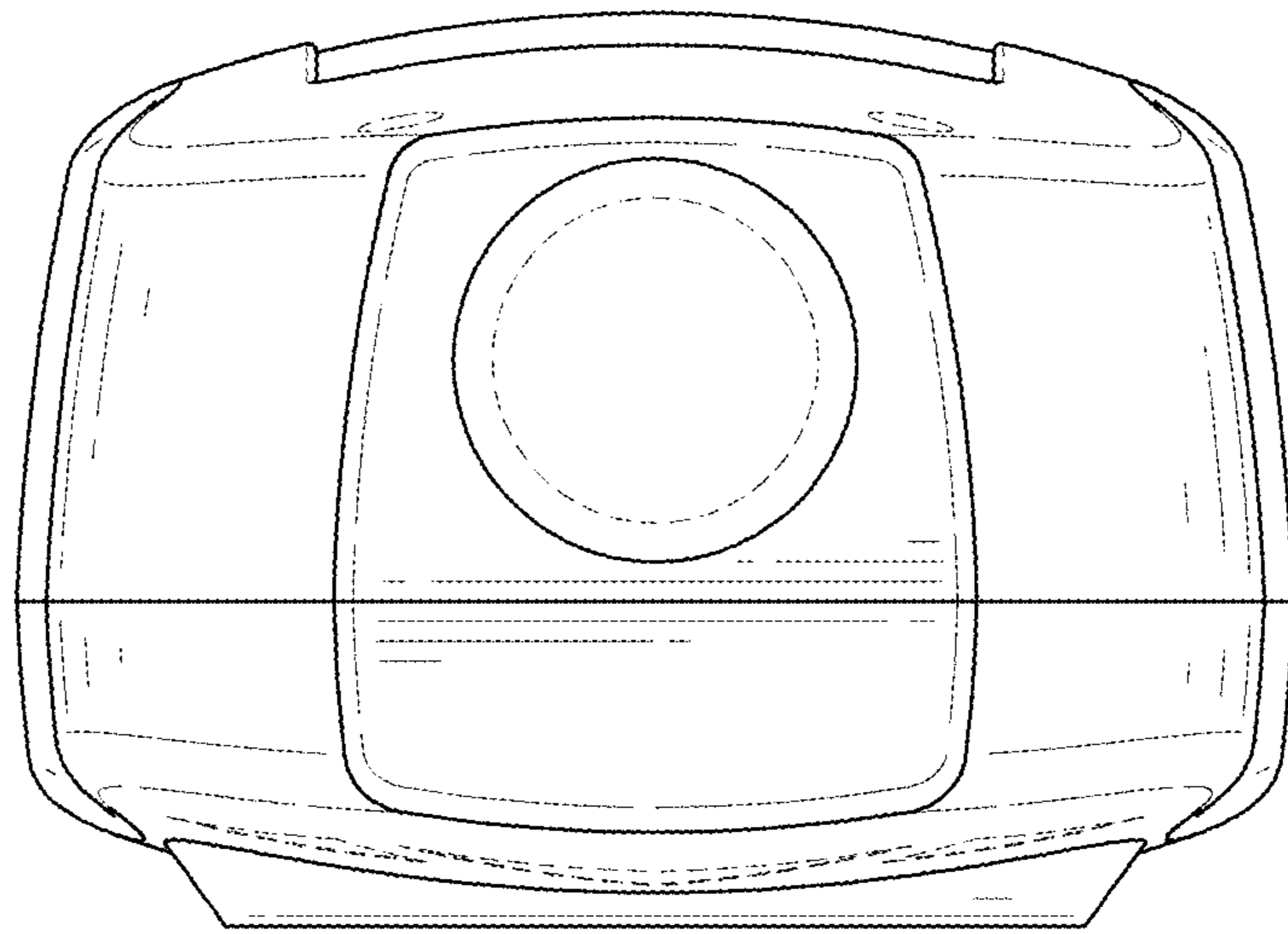


FIG. 7

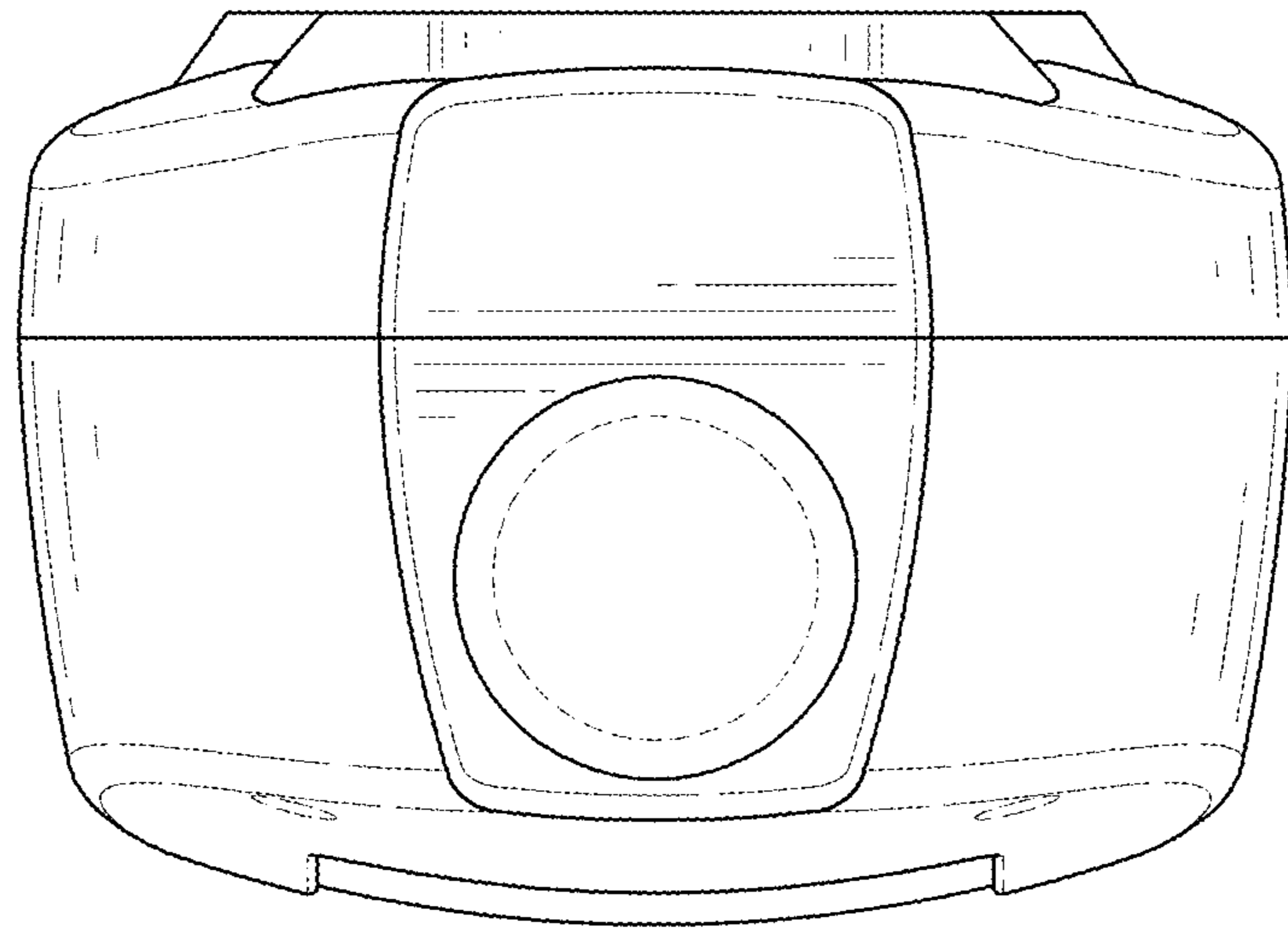


FIG. 8