



US00D903585S

(12) **United States Design Patent**
Rustill

(10) **Patent No.:** **US D903,585 S**

(45) **Date of Patent:** **** Dec. 1, 2020**

(54) **JUMP STARTER**

(71) Applicant: **7RDD Limited**, Dunnington (GB)

(72) Inventor: **Neal Aaron Rustill**, Dunnington (GB)

(73) Assignee: **7RDD Limited** (GB)

(**) Term: **15 Years**

(21) Appl. No.: **29/642,631**

(22) Filed: **Mar. 30, 2018**

(51) **LOC (12) Cl.** **13-02**

(52) **U.S. Cl.**
USPC **D13/107; D13/103**

(58) **Field of Classification Search**
USPC D13/102–110, 118–119, 184, 199;
D14/356, 432

CPC Y02E 60/12; Y02E 60/122; Y02E 60/124;
Y02E 60/50; H01M 2/02; H01M 2/022;
H01M 2/0202; H01M 2/0207; H01M
2/0212; H01M 2/1061; H01M 2/1022;
H01M 2/1055; H01M 2/1066; H01M
2/105; H01M 2/204; H01M 2/1016

See application file for complete search history.

(56) **References Cited**

U.S. PATENT DOCUMENTS

D464,619 S * 10/2002 Krieger D13/107
D464,620 S * 10/2002 Krieger D13/110
D482,324 S * 11/2003 James D13/107
D509,181 S * 9/2005 Nellenbach D13/103
D538,739 S * 3/2007 Zheng D13/107
D609,634 S * 2/2010 Daniels D13/107
D615,490 S * 5/2010 Chien D13/103

D629,746 S * 12/2010 Workman D13/103
D635,510 S * 4/2011 Inskeep D13/107
D694,704 S * 12/2013 Cottle D13/107
D872,692 S * 1/2020 Li D13/108
2008/0218124 A1* 9/2008 Yang H02J 7/00
320/113
2016/0153626 A1* 6/2016 Ozaka F21V 33/0056
362/86

* cited by examiner

Primary Examiner — Nathaniel D. Buckner
(74) *Attorney, Agent, or Firm* — Woodard, Emhardt,
Henry, Reeves & Wagner, LLP

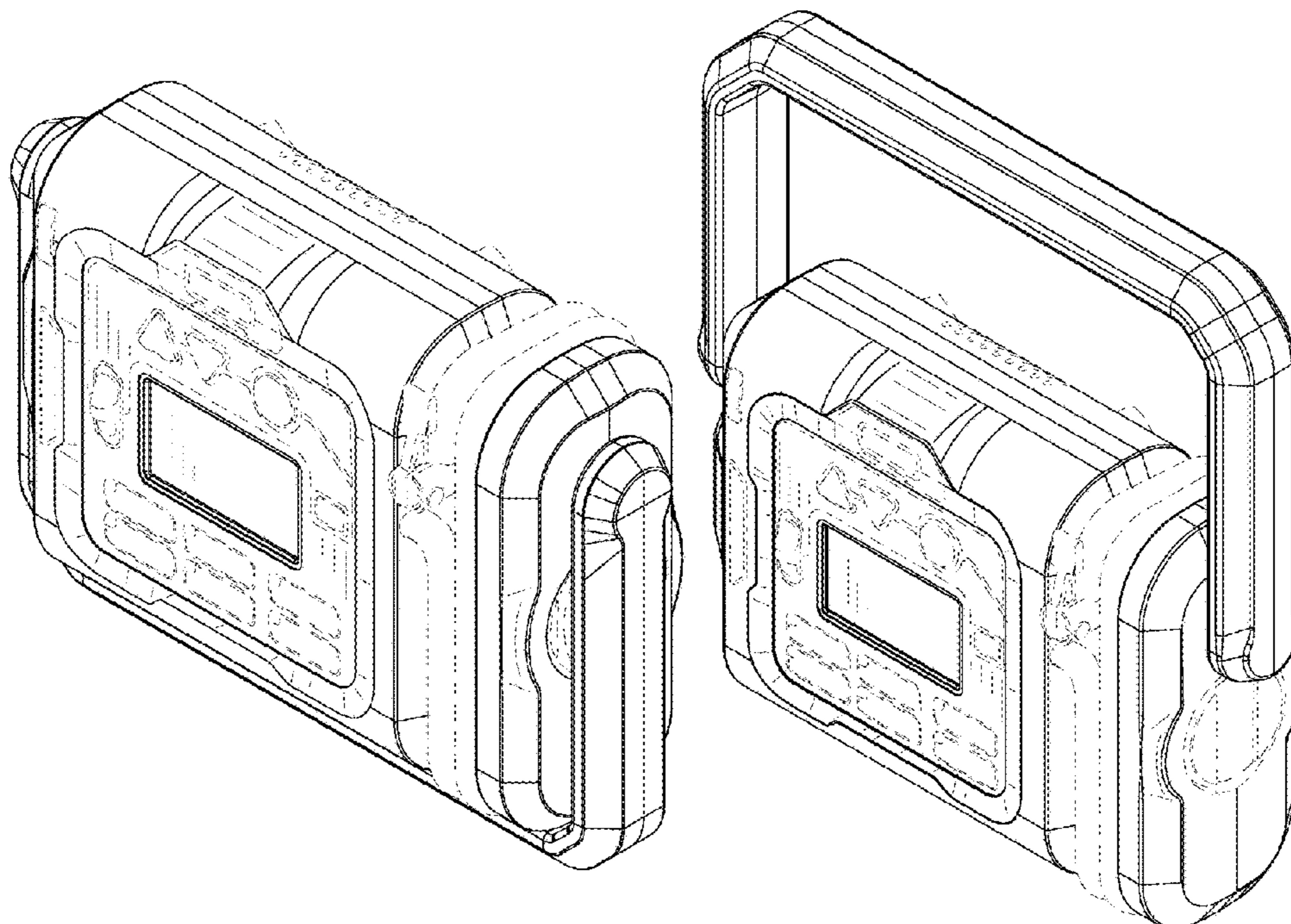
(57) **CLAIM**

The ornamental design for a jump starter, as shown and described.

DESCRIPTION

FIG. 1 is a front perspective view of the jump starter;
FIG. 2 is a front perspective view thereof;
FIG. 3 is a front view thereof;
FIG. 4 is a back view thereof;
FIG. 5 is a left side view thereof;
FIG. 6 is a right side view thereof;
FIG. 7 is a top view thereof;
FIG. 8 is a bottom view thereof;
FIG. 9 is a front perspective view thereof shown in an
alternate condition of use;
FIG. 10 is a front perspective view thereof;
FIG. 11 is a bottom view thereof;
FIG. 12 is a right side view thereof; and,
FIG. 13 is a left side view thereof.
The broken lines illustrate portions of the jump starter that
form no part of the claimed design.

1 Claim, 10 Drawing Sheets



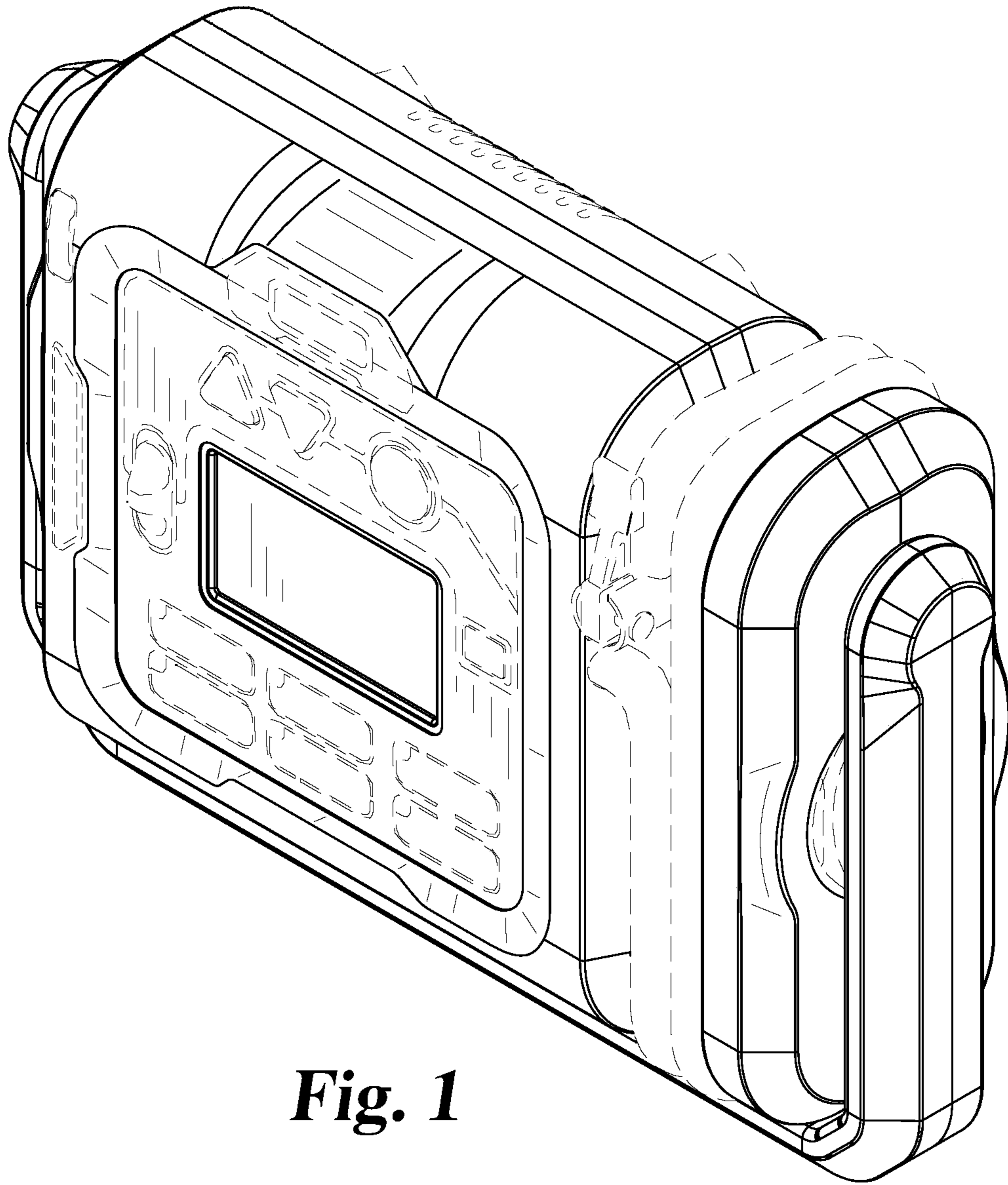


Fig. 1

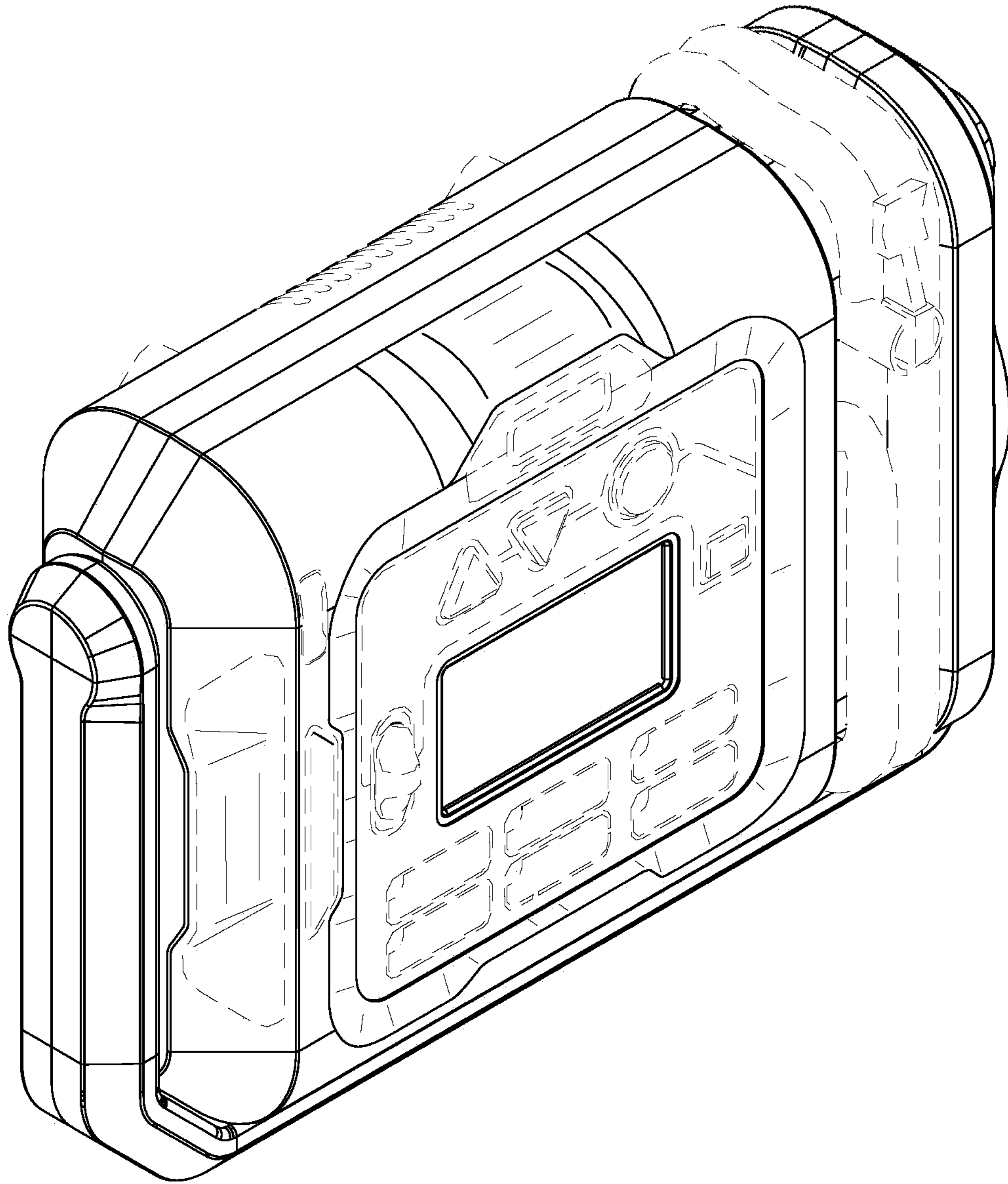


Fig. 2

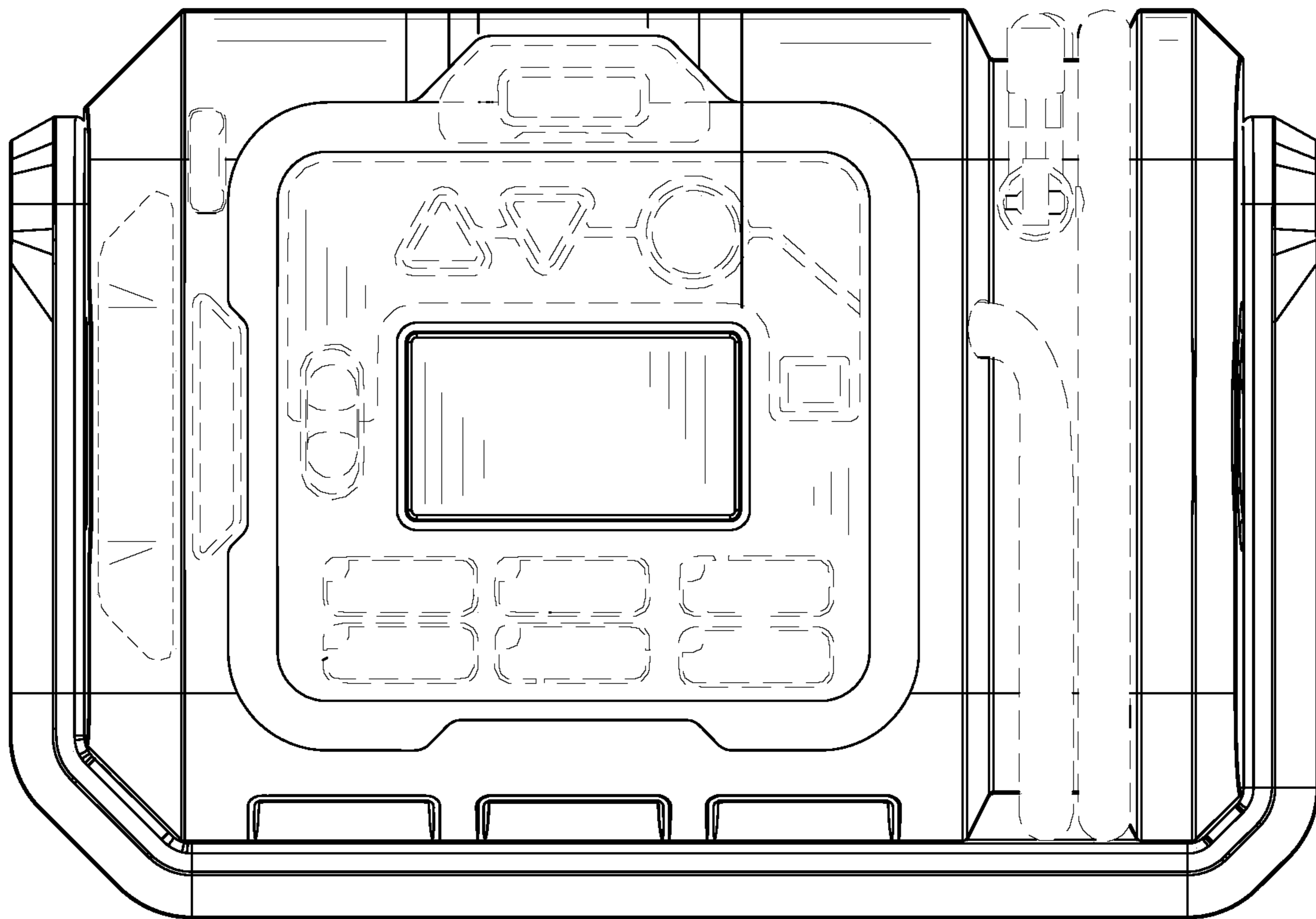


Fig. 3

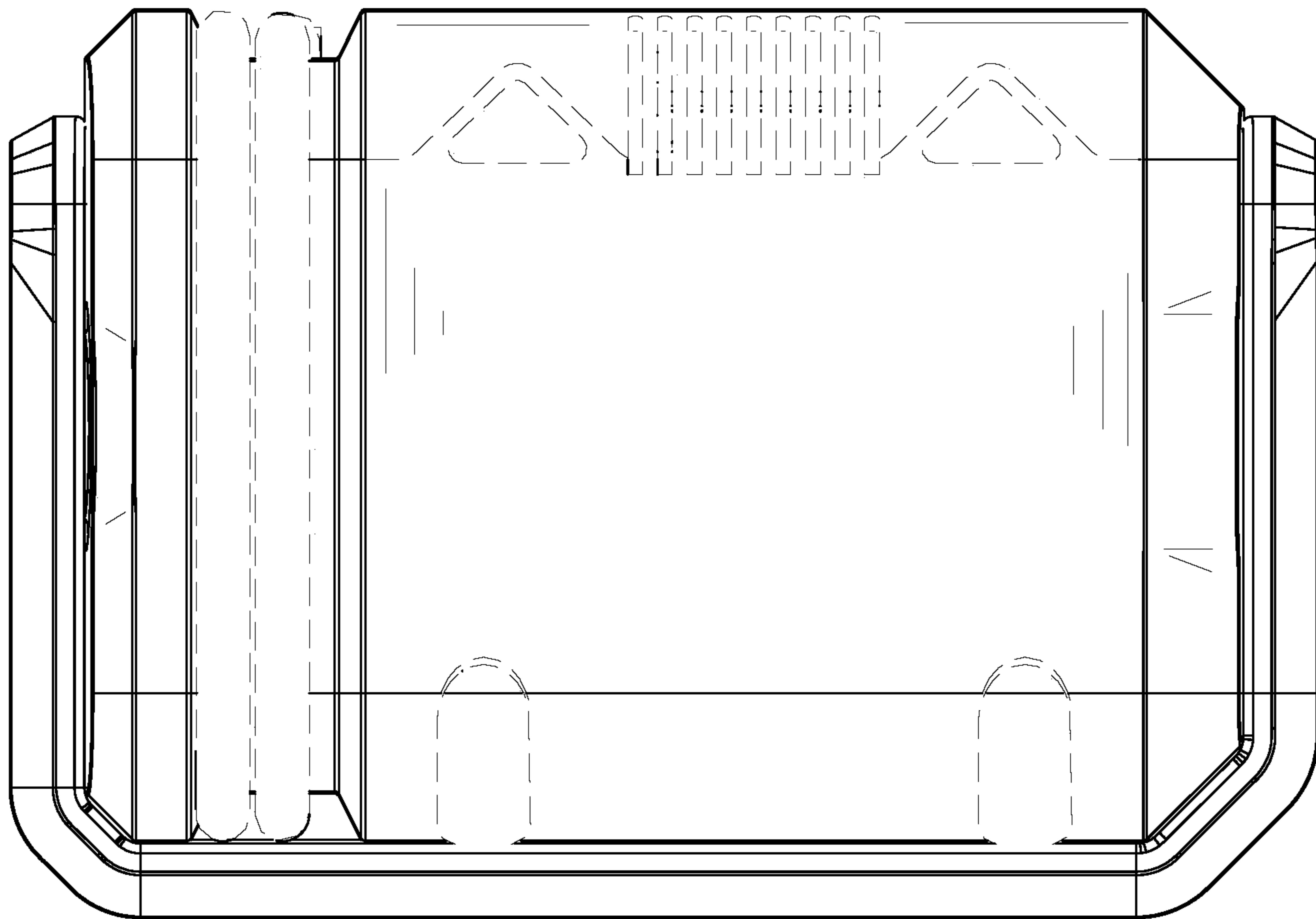


Fig. 4

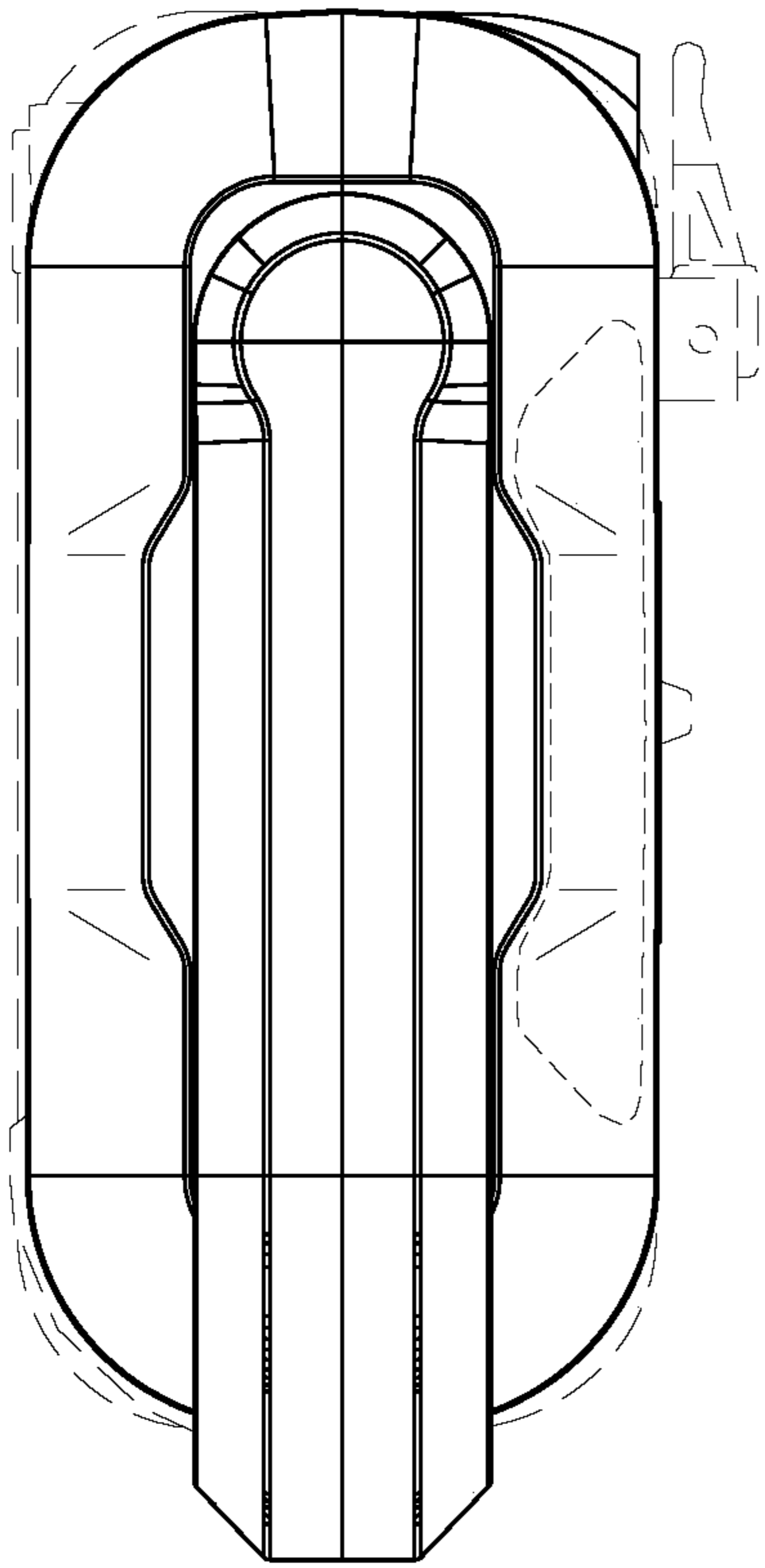


Fig. 5

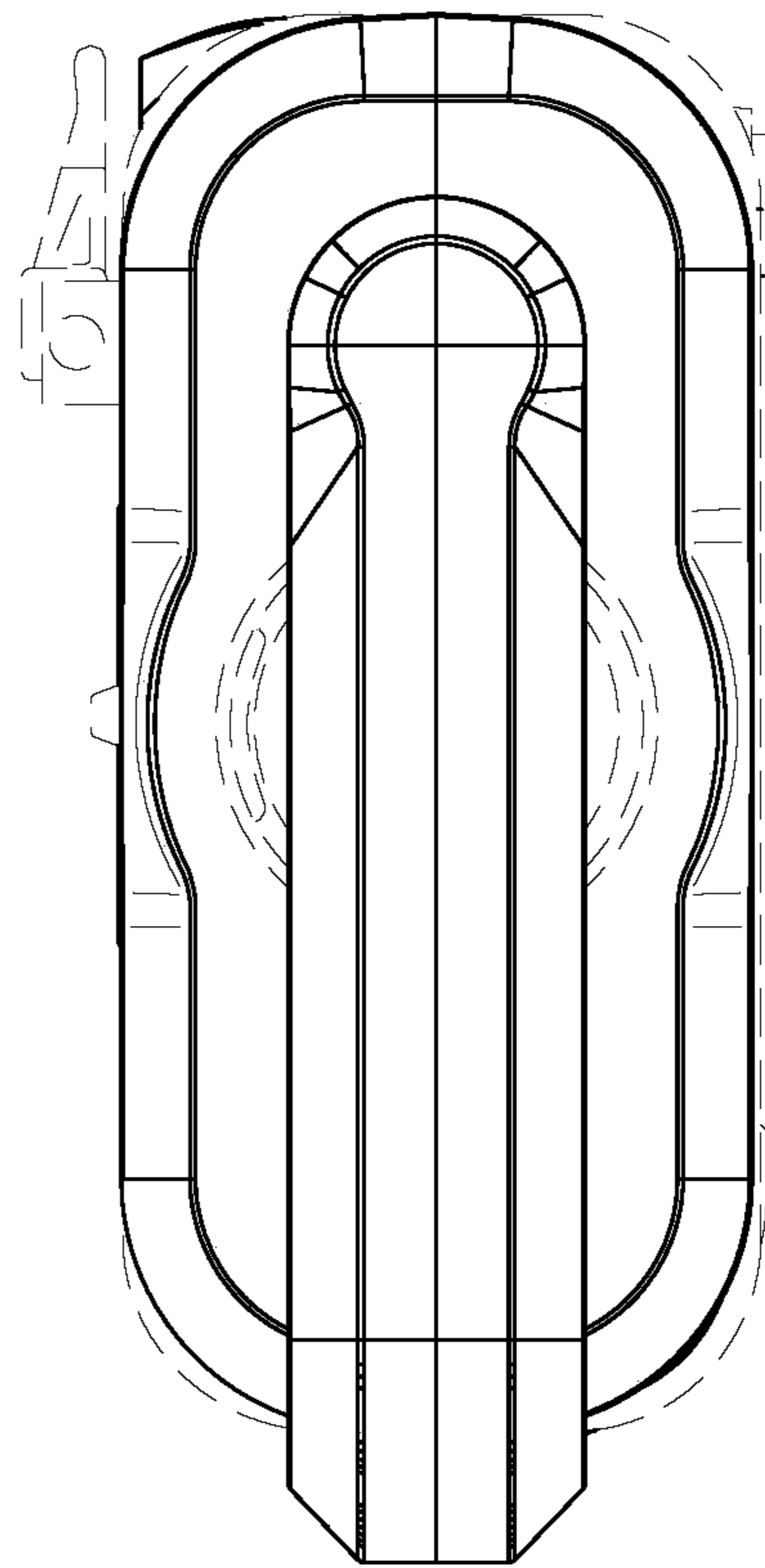


Fig. 6

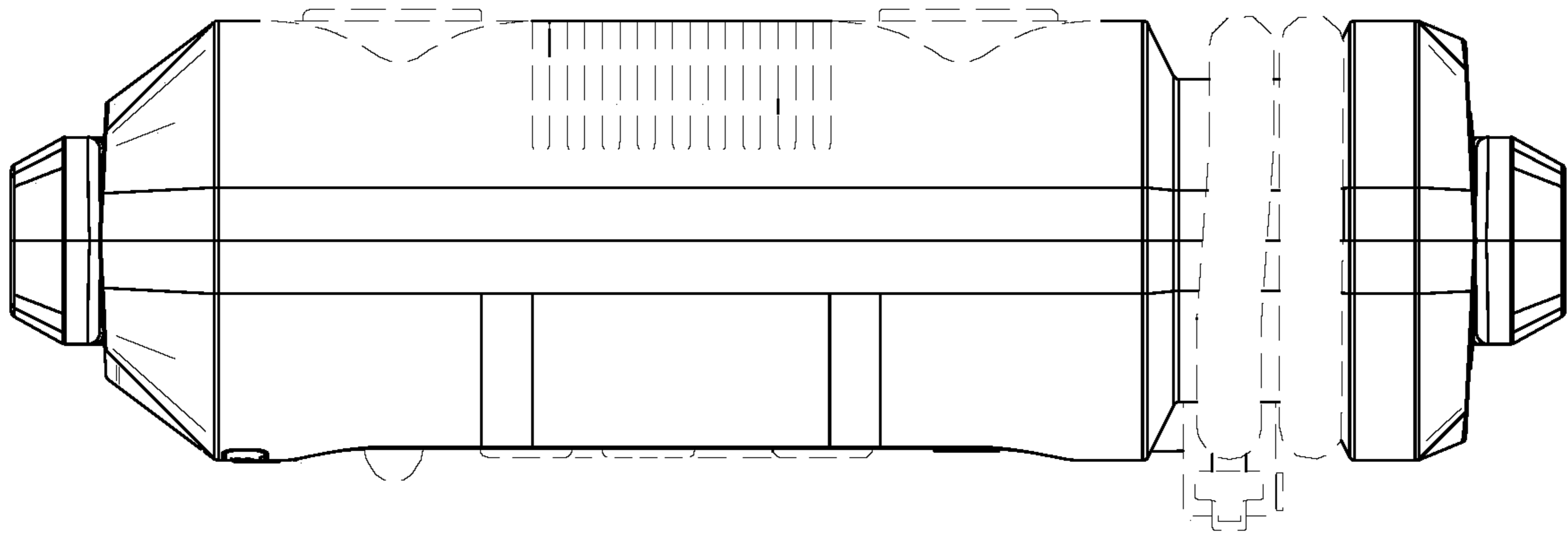


Fig. 7

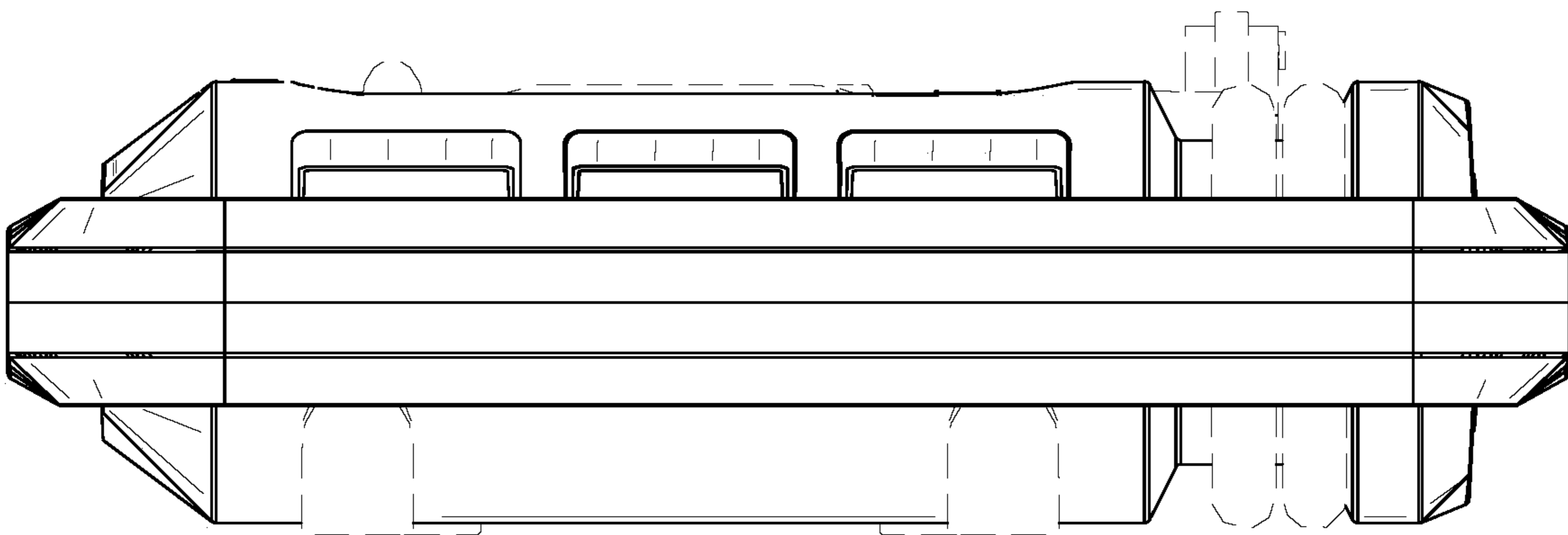


Fig. 8

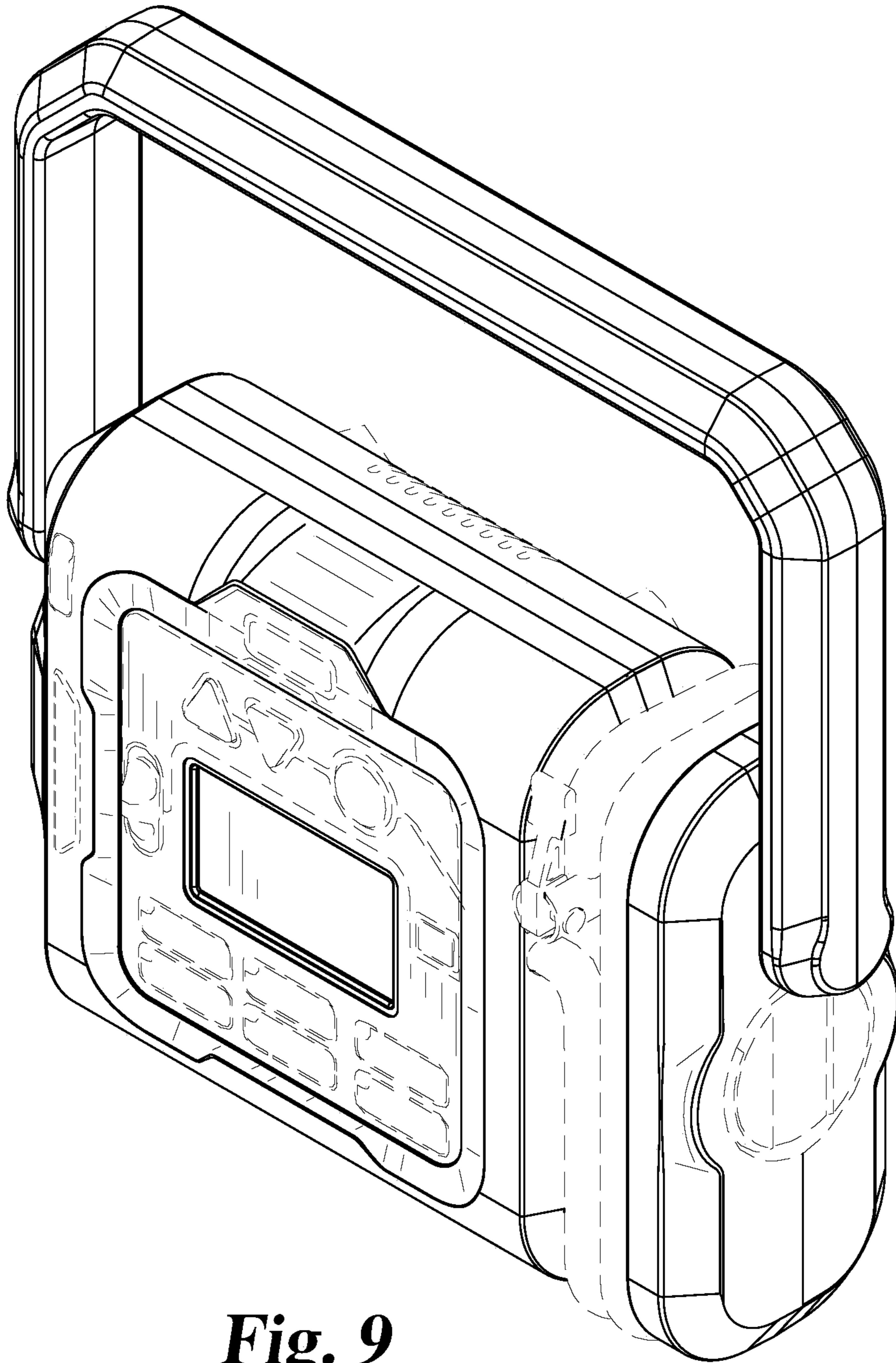


Fig. 9

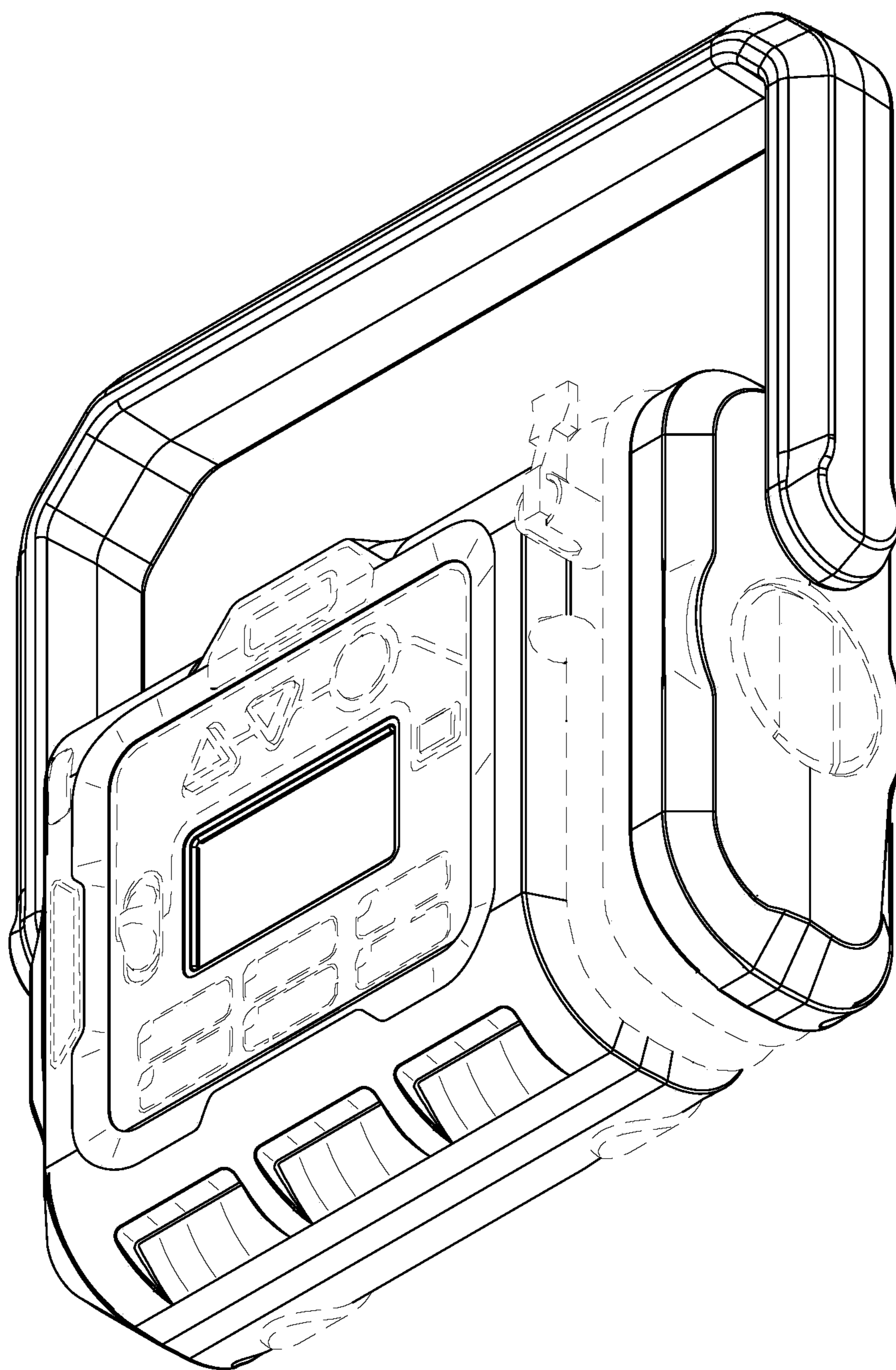


Fig. 10

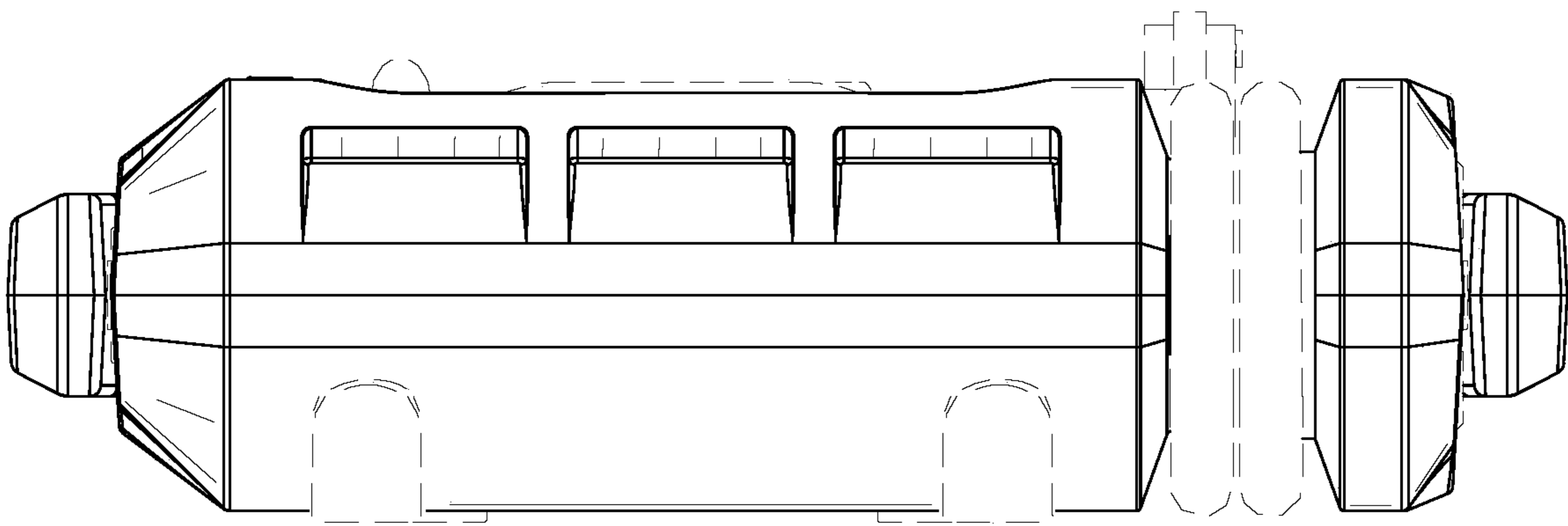


Fig. 11

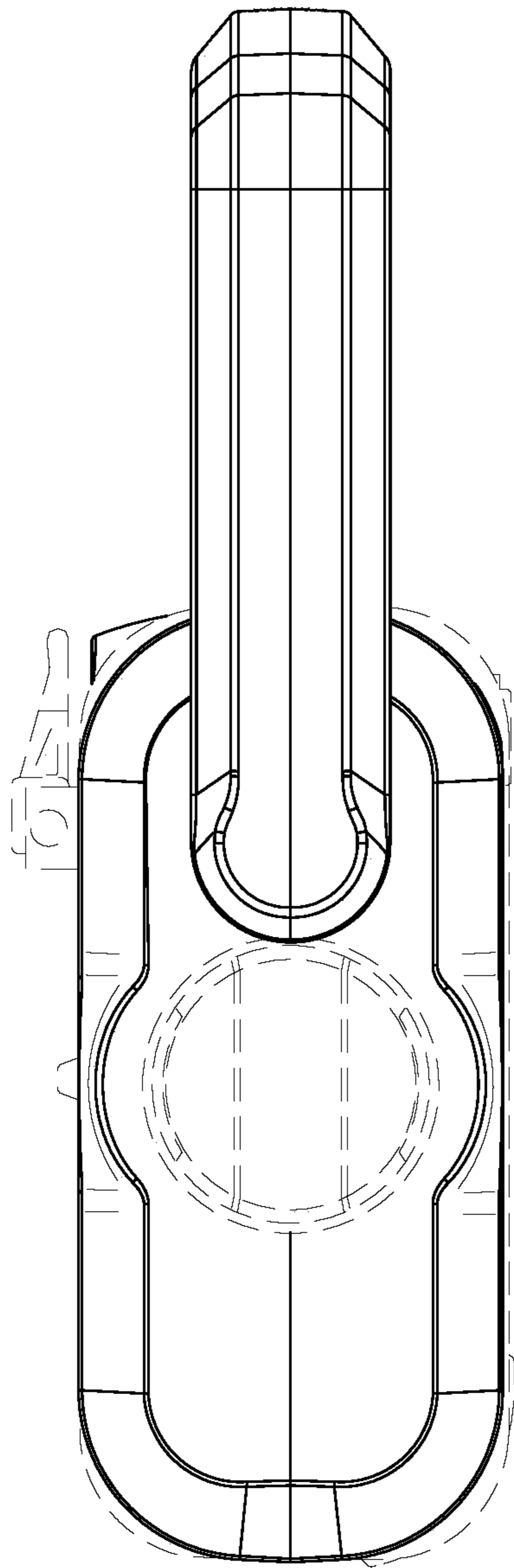


Fig. 12

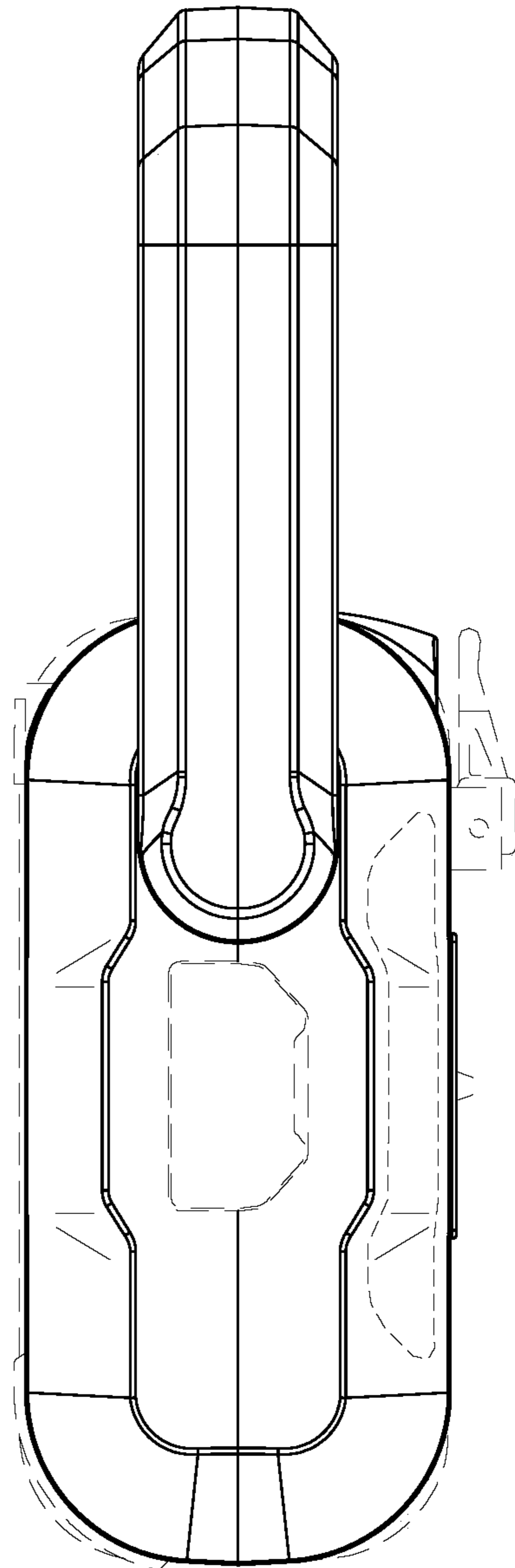


Fig. 13