



US00D903577S

(12) **United States Design Patent**
Clark et al.

(10) **Patent No.:** **US D903,577 S**
(45) **Date of Patent:** **** Dec. 1, 2020**

- (54) **AIRCRAFT**
- (71) Applicant: **BETA AIR, LLC**, South Burlington, VT (US)
- (72) Inventors: **Kyle Clark**, Underhill, VT (US); **Tom O’Leary**, South Burlington, VT (US); **Riley Griffin**, Montpelier, VT (US)
- (**) Term: **15 Years**
- (21) Appl. No.: **29/695,157**
- (22) Filed: **Jun. 17, 2019**
- (51) **LOC (12) Cl.** **12-07**
- (52) **U.S. Cl.**
USPC **D12/326**
- (58) **Field of Classification Search**
USPC D12/1–4, 16.1, 319–345; D21/301, 436, D21/441, 442, 443, 444, 447, 448, 449, D21/450, 451, 452, 453, 454, 455
CPC B64C 39/024; B64C 2201/108; B64C 2201/141; B64C 2201/024
See application file for complete search history.

D864,084	S *	10/2019	Clark	D12/328
D865,636	S *	11/2019	Reichert	D12/328
10,513,341	B2 *	12/2019	Jenkins	G05D 1/0808
10,518,875	B2 *	12/2019	Judas	B64C 29/0025
D872,680	S *	1/2020	Tian	D12/328
D873,200	S *	1/2020	Langford, III	D12/319
D873,201	S *	1/2020	Langford, III	D12/319
D875,022	S *	2/2020	Cummings	D12/326
10,597,164	B2 *	3/2020	Oldroyd	B64D 27/26
D881,107	S *	4/2020	Parvizian	D12/319
D881,788	S *	4/2020	Tian	D12/328
D885,300	S *	5/2020	Merrill	D12/328
10,689,095	B2 *	6/2020	Zerweckh	B64C 11/22
D890,074	S *	7/2020	Parvizian	D12/333
2014/0158815	A1 *	6/2014	Renteria	B64C 39/04 244/12.1
2017/0300067	A1 *	10/2017	Douglas	G05D 1/0011

(Continued)

(56) **References Cited**
U.S. PATENT DOCUMENTS

D190,455	S *	5/1961	McCrackin	D12/16.1
D258,583	S *	3/1981	Jonas	D12/332
D496,074	S *	9/2004	Darack	D12/321
D642,968	S *	8/2011	Zhao	D12/344
D665,331	S *	8/2012	Sands	D12/319
9,694,906	B1 *	7/2017	Sadek	B64C 39/024
10,035,623	B1 *	7/2018	Prager	B64D 1/08
D824,804	S *	8/2018	Tian	D12/16.1
10,053,213	B1 *	8/2018	Tu	G05D 1/0858
10,081,436	B1 *	9/2018	Tian	B64C 27/26
D843,306	S *	3/2019	Tzarnotzky	D12/329
D843,889	S *	3/2019	Merrill	D12/16.1
D845,169	S *	4/2019	Cui	D12/16.1
D850,357	S *	6/2019	Cummings	D12/326
D852,092	S *	6/2019	Woodworth	D12/16.1

OTHER PUBLICATIONS

Aircraft. by Beta. dated 2020. found online [Jul. 17, 2020] <https://www.beta.team/beta-home/aircraft/>.*

Primary Examiner — Marissa J Cash
(74) *Attorney, Agent, or Firm* — Caldwell Intellectual Property Law

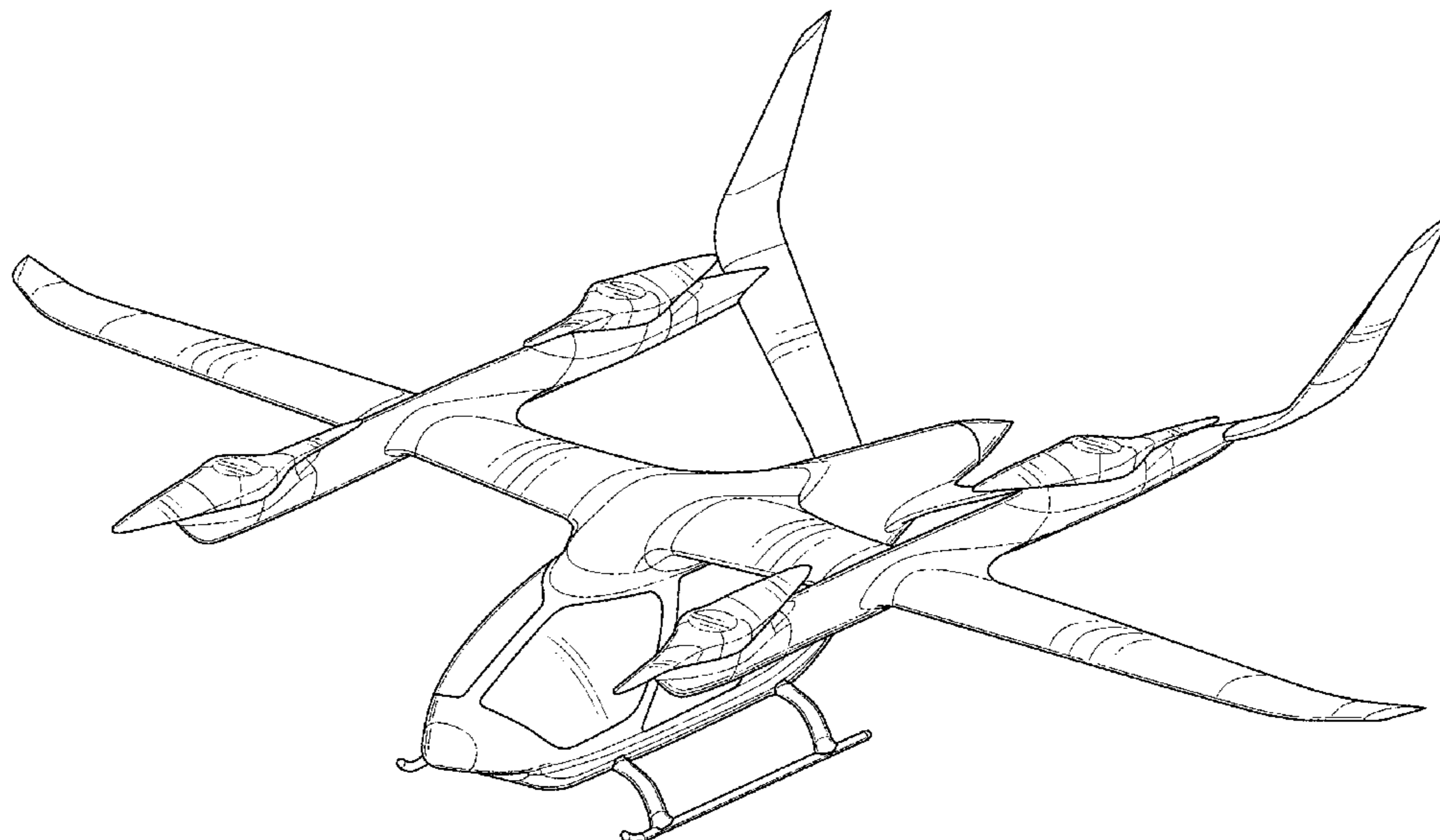
(57) **CLAIM**

What is claimed is the ornamental design for an aircraft, as shown and described.

DESCRIPTION

FIG. 1 is a perspective view of an aircraft showing the new design;
FIG. 2 is a front view thereof;
FIG. 3 is a rear view thereof;
FIG. 4 is a side view thereof;
FIG. 5 is a second side view thereof;
FIG. 6 is a top view thereof; and,
FIG. 7 is a bottom view thereof.

1 Claim, 7 Drawing Sheets



(56)

References Cited

U.S. PATENT DOCUMENTS

2018/0290735 A1* 10/2018 Uptigrove B64C 29/0025
2019/0389573 A1* 12/2019 Kahou B64C 3/32

* cited by examiner

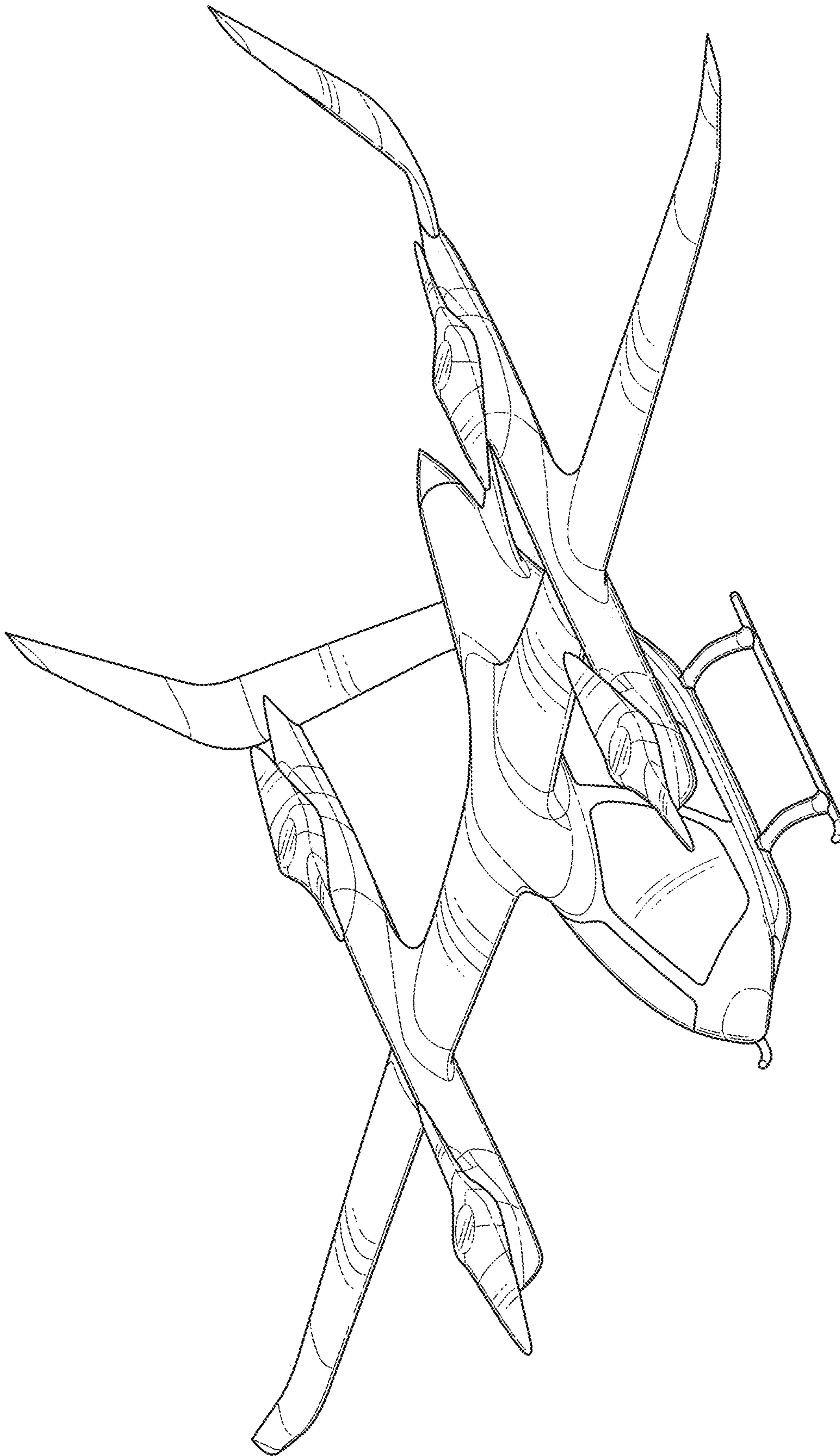


FIG. 1

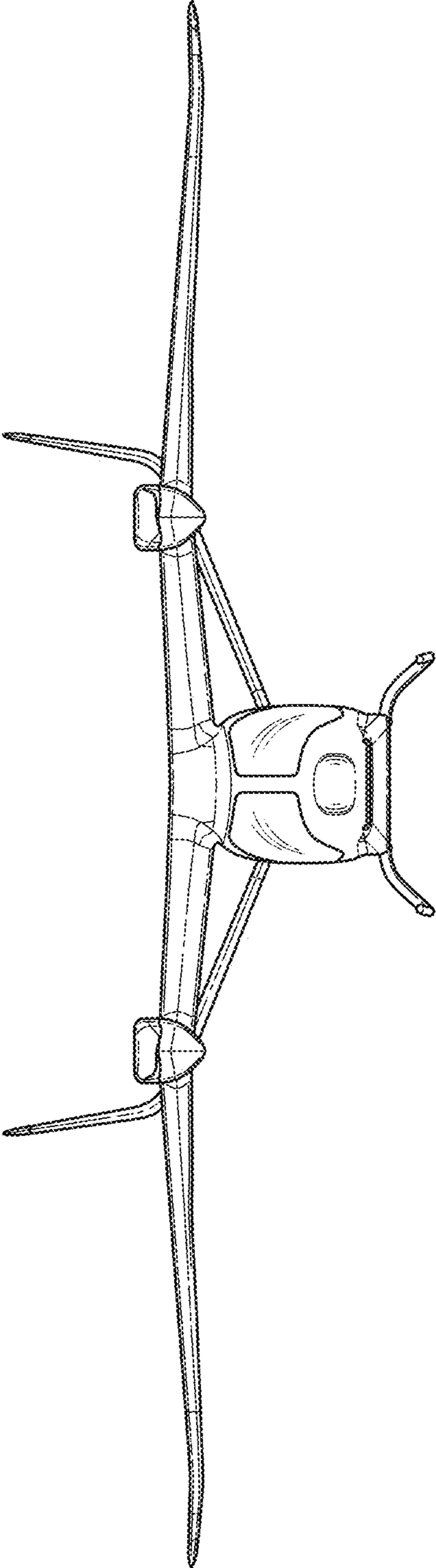


FIG. 2

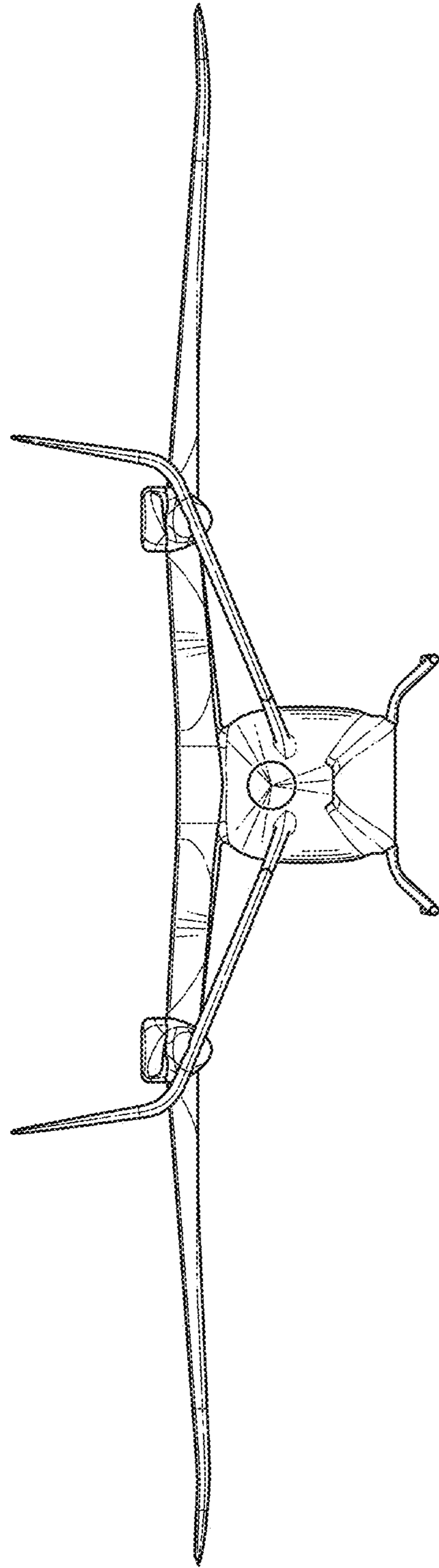


FIG. 3

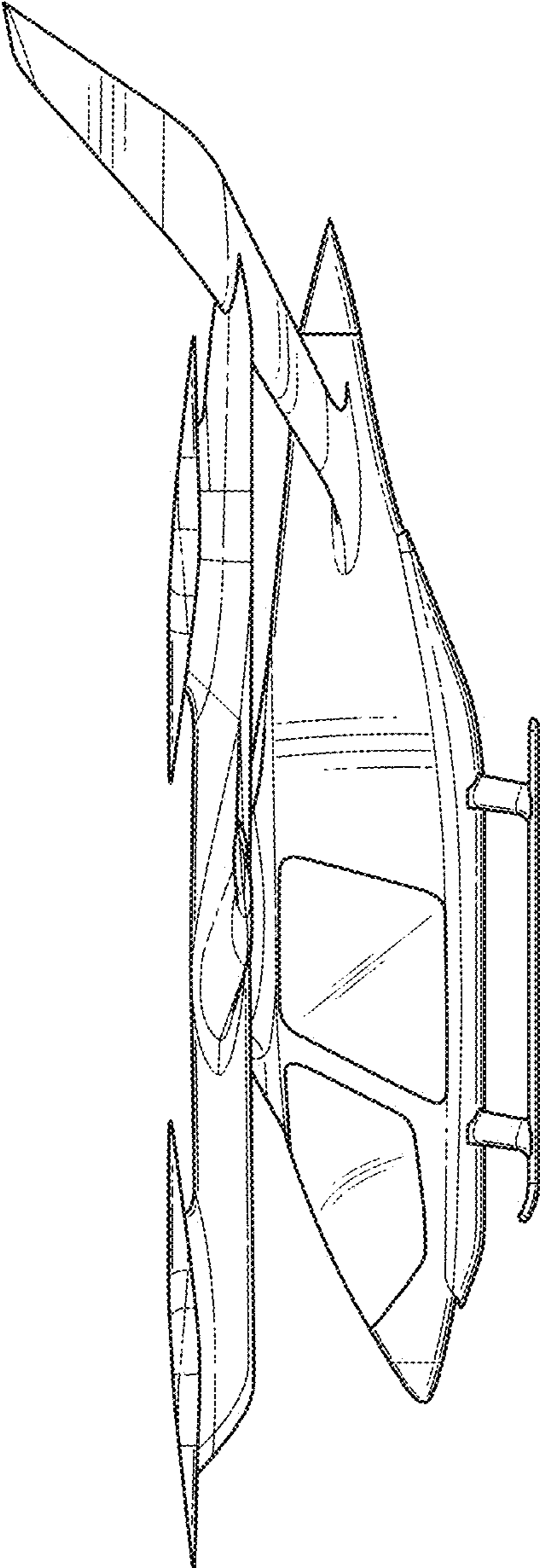


FIG. 4

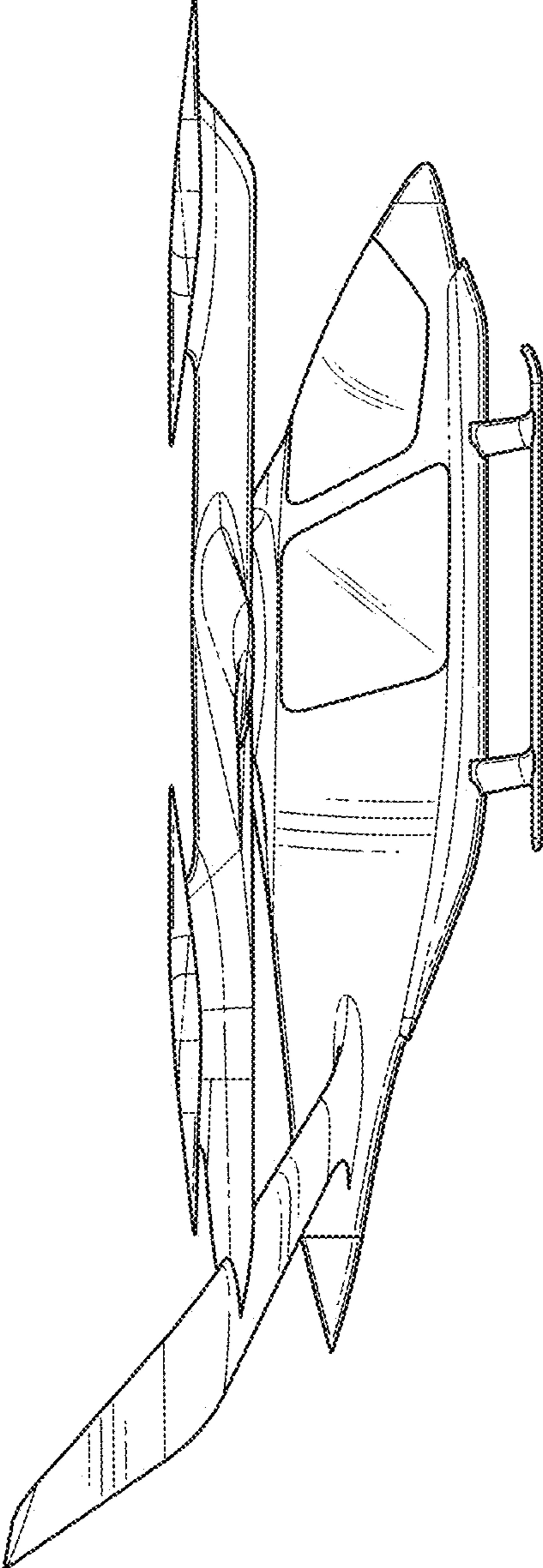


FIG. 5

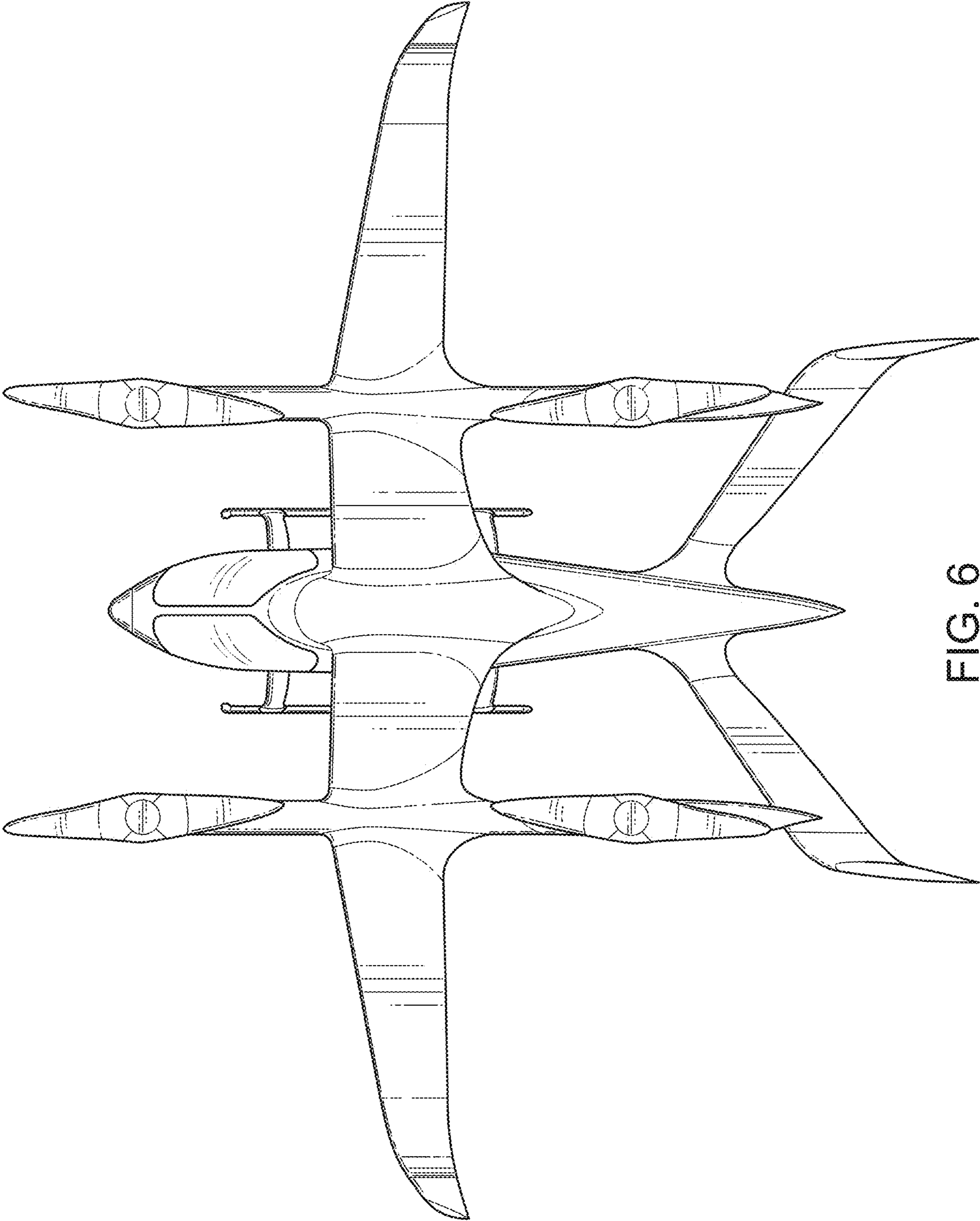


FIG. 6

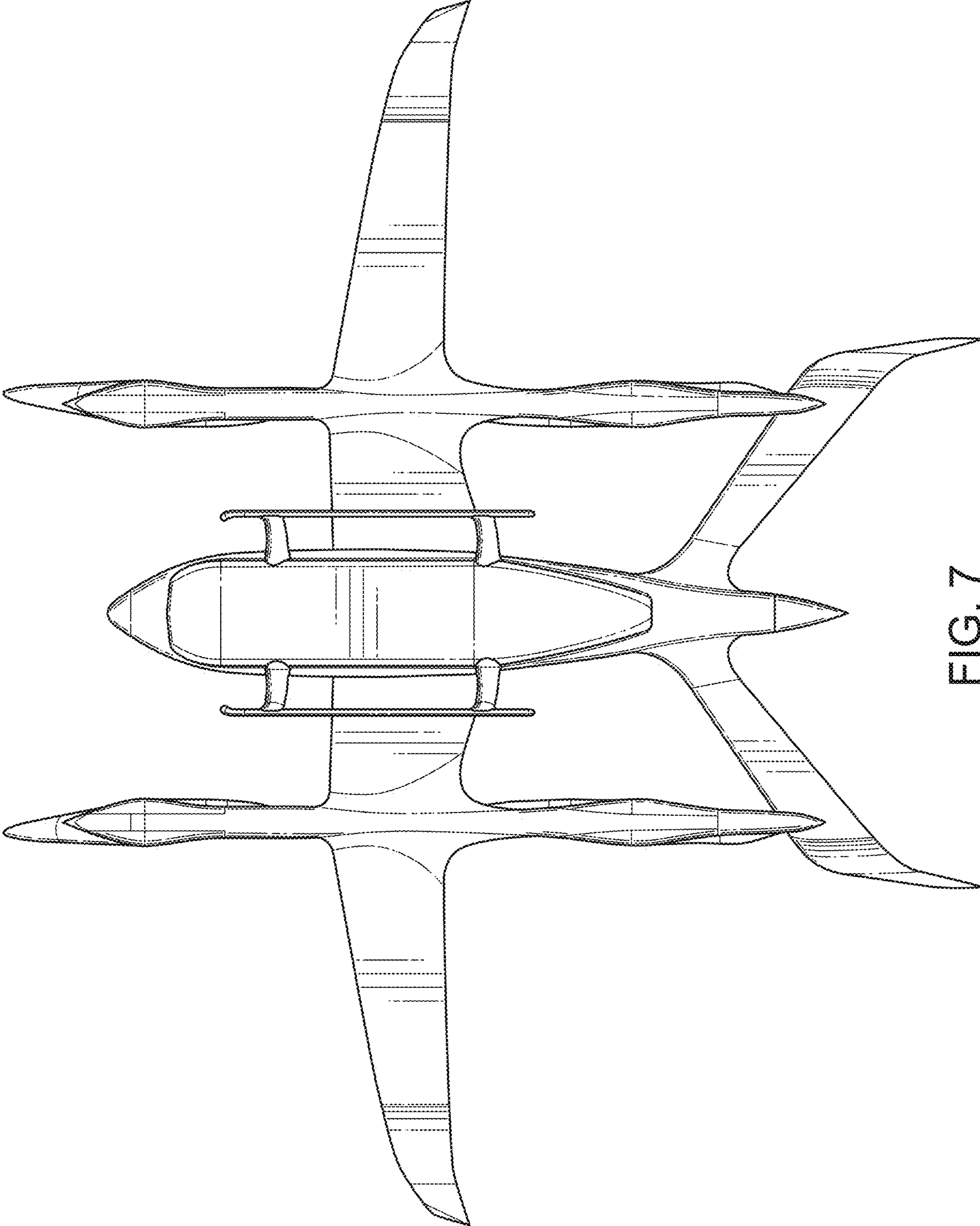


FIG. 7