



US00D903576S

(12) **United States Design Patent** (10) **Patent No.:** **US D903,576 S**
Feldman (45) **Date of Patent:** **** Dec. 1, 2020**

(54) **COCKPIT**
(71) Applicant: **SFID LLC**, Tualatin, OR (US)
(72) Inventor: **Stuart M. Feldman**, Tualatin, OR (US)
(73) Assignee: **SFID LLC**, Tualatin, OR (US)
(**) Term: **15 Years**
(21) Appl. No.: **29/685,505**

D821,264 S * 6/2018 Choo D12/16.1
10,053,217 B2 * 8/2018 Cho B64C 39/024
D830,897 S * 10/2018 Choi D12/16.1
D834,996 S * 12/2018 Zheng D12/16.1
D856,259 S * 8/2019 Li D12/328
D861,056 S * 9/2019 Joo D16/202
D868,902 S * 12/2019 Zhong D21/440
D870,637 S * 12/2019 Vuong D12/327
D871,964 S * 1/2020 Simeray D12/1
D873,709 S * 1/2020 Han D12/1
D878,275 S * 3/2020 Shankar D12/323

(Continued)

(22) Filed: **Mar. 28, 2019**
(51) **LOC (12) Cl.** **12-01**
(52) **U.S. Cl.**
USPC **D12/319**
(58) **Field of Classification Search**
USPC D12/1-4, 16.1, 319-345; D21/436-455;
D25/13, 199
CPC B64C 29/0033; B64C 29/02; B64C
2201/021; B64C 2201/088; B64C
2201/104; B64C 2201/141; B64C 29/00;
B64C 29/0025; B64G 2001/1064; B64G
2001/1071; B64G 5/00; B64G 1/46
See application file for complete search history.

FOREIGN PATENT DOCUMENTS

JP 2017-10828 R * 10/2017

Primary Examiner — Marissa J Cash
(74) *Attorney, Agent, or Firm* — Renaissance IP Law
Group, LLP; David A. Crowther

(57) **CLAIM**

The ornamental design for a cockpit, as shown and described.

DESCRIPTION

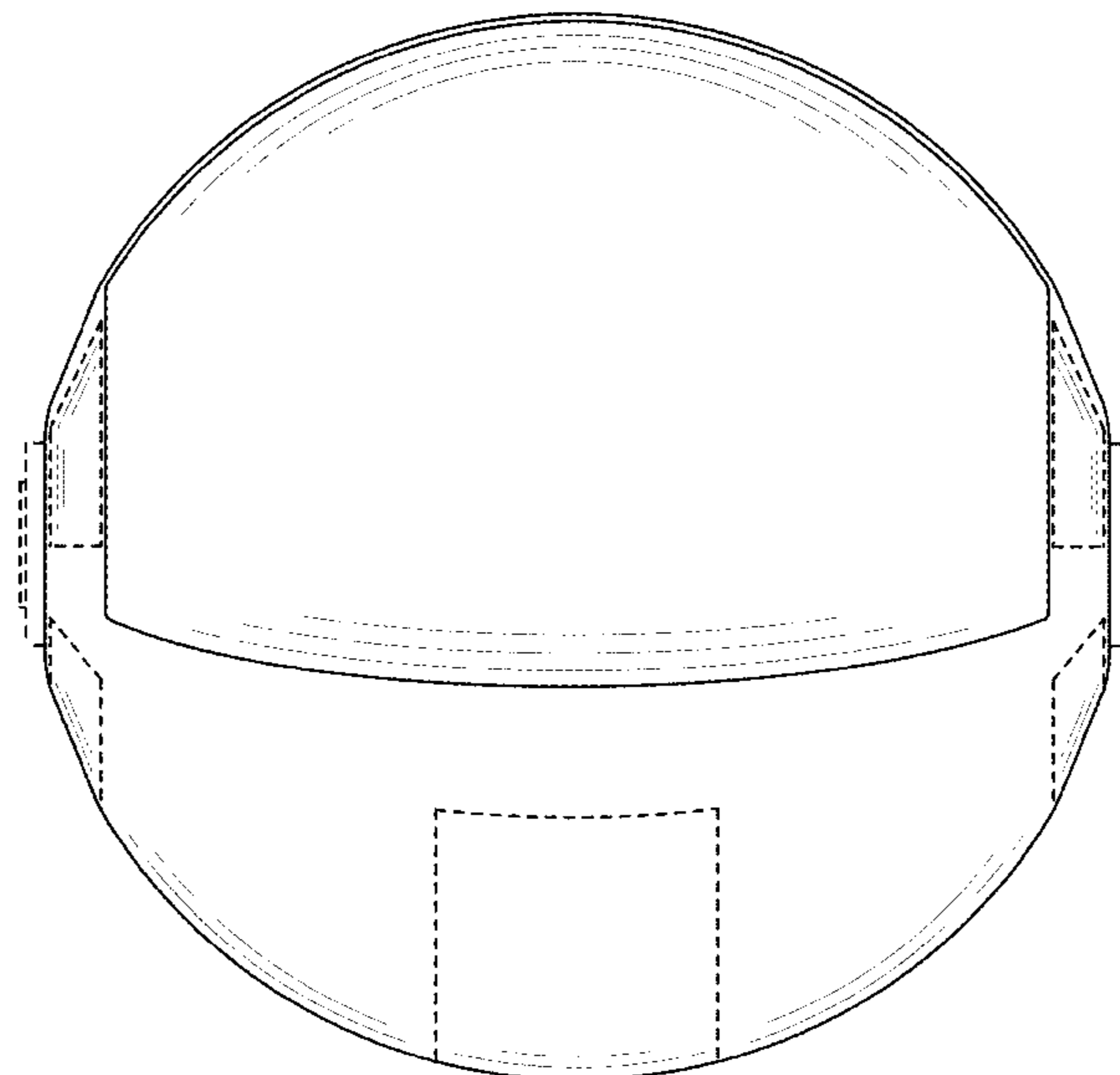
FIG. 1 is a front view of a cockpit according to my new design;
FIG. 2 is a back view of the cockpit of FIG. 1;
FIG. 3 is a top view of the cockpit of FIG. 1;
FIG. 4 is a bottom view of the cockpit of FIG. 1;
FIG. 5 is a first side view of the cockpit of FIG. 1;
FIG. 6 is a second side view of the cockpit of FIG. 1;
FIG. 7 is a first perspective view of the cockpit of FIG. 1;
and,
FIG. 8 is a second perspective view of the cockpit of FIG. 1.

The claim is directed to a cockpit. In the drawings, the claimed design is defined by the shaded surfaces. The broken lines depict unclaimed environmental subject matter and form no part of the claim.

1 Claim, 8 Drawing Sheets

(56) **References Cited**
U.S. PATENT DOCUMENTS

D171,569 S * 3/1954 Apostolescu D12/328
D245,635 S * 8/1977 Campbell D21/441
4,184,654 A * 1/1980 Herrera B64C 27/02
244/12.2
D270,829 S * 10/1983 Ferguson D12/323
D280,194 S * 8/1985 Bothe D12/323
D576,542 S * 9/2008 Johnson D12/345
D617,509 S * 6/2010 Rutherford D30/160
D631,817 S * 2/2011 Pasternak D12/345
7,927,177 B1 * 4/2011 Walterscheid A63H 37/005
446/308
D667,893 S * 9/2012 Smith D21/451
D798,221 S * 9/2017 Kaiser D12/325
D814,350 S * 4/2018 Joo D12/16.1



(56)

References Cited

U.S. PATENT DOCUMENTS

D890,024 S * 7/2020 Schnapp D12/1
D891,522 S * 7/2020 Liao D21/447
2016/0272317 A1* 9/2016 Cho G08G 1/162
2016/0280359 A1* 9/2016 Semke B64C 27/10
2019/0243387 A1* 8/2019 Oakley G01C 21/20
2019/0291858 A1* 9/2019 Li B64C 27/08
2020/0001994 A1* 1/2020 Prokhorov G08G 5/0069

* cited by examiner

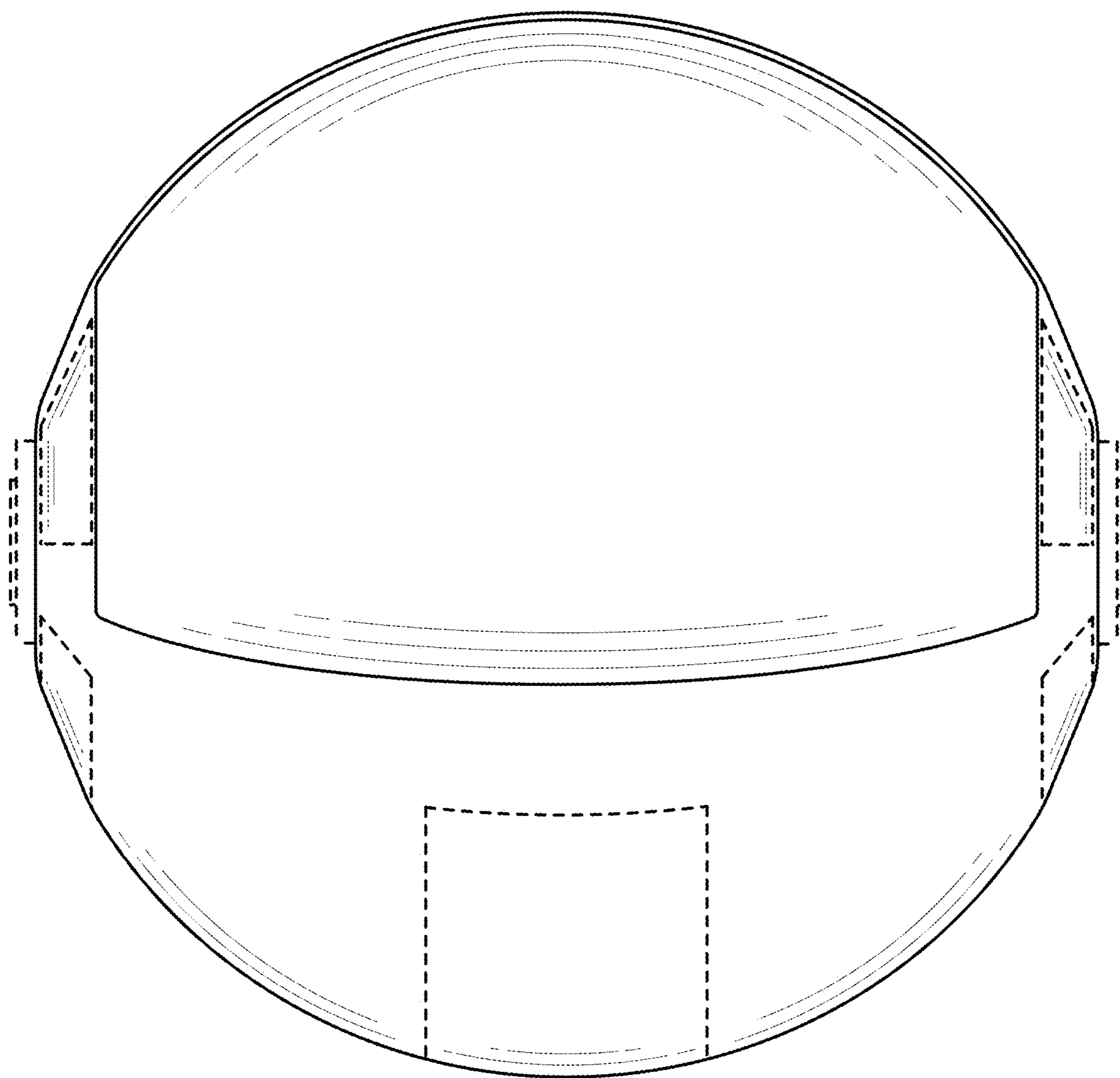


FIG. 1

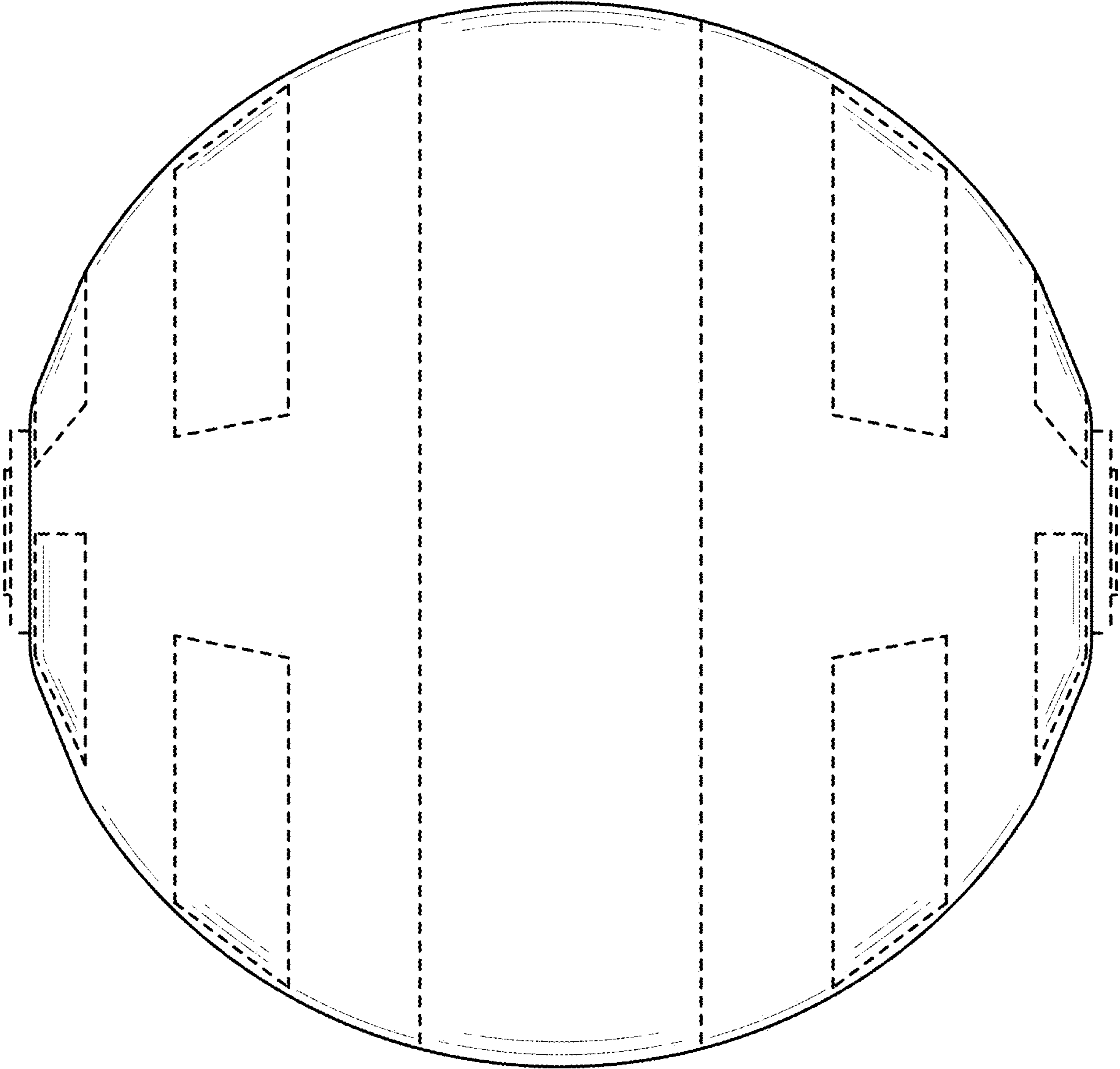


FIG. 2

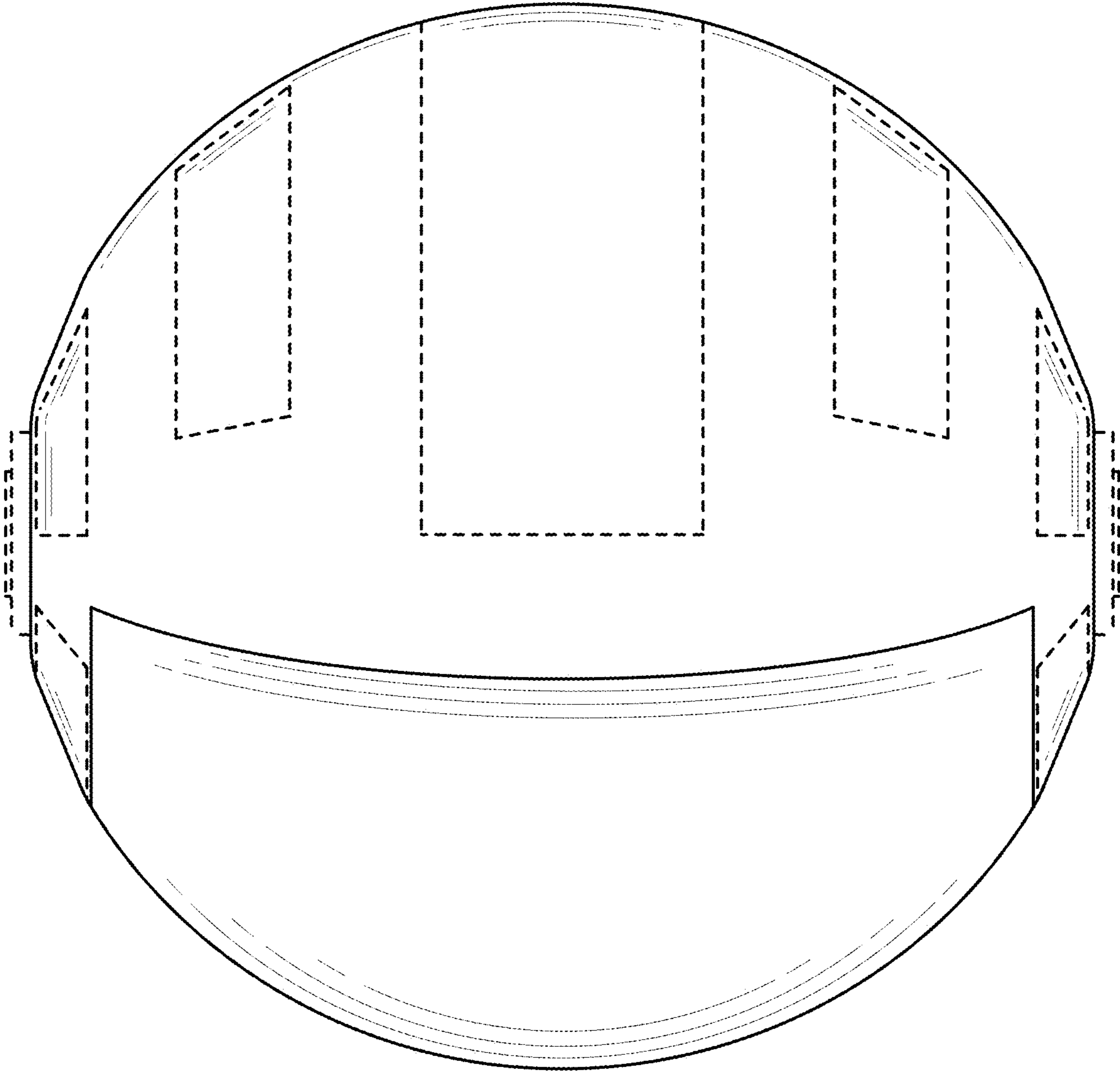


FIG. 3

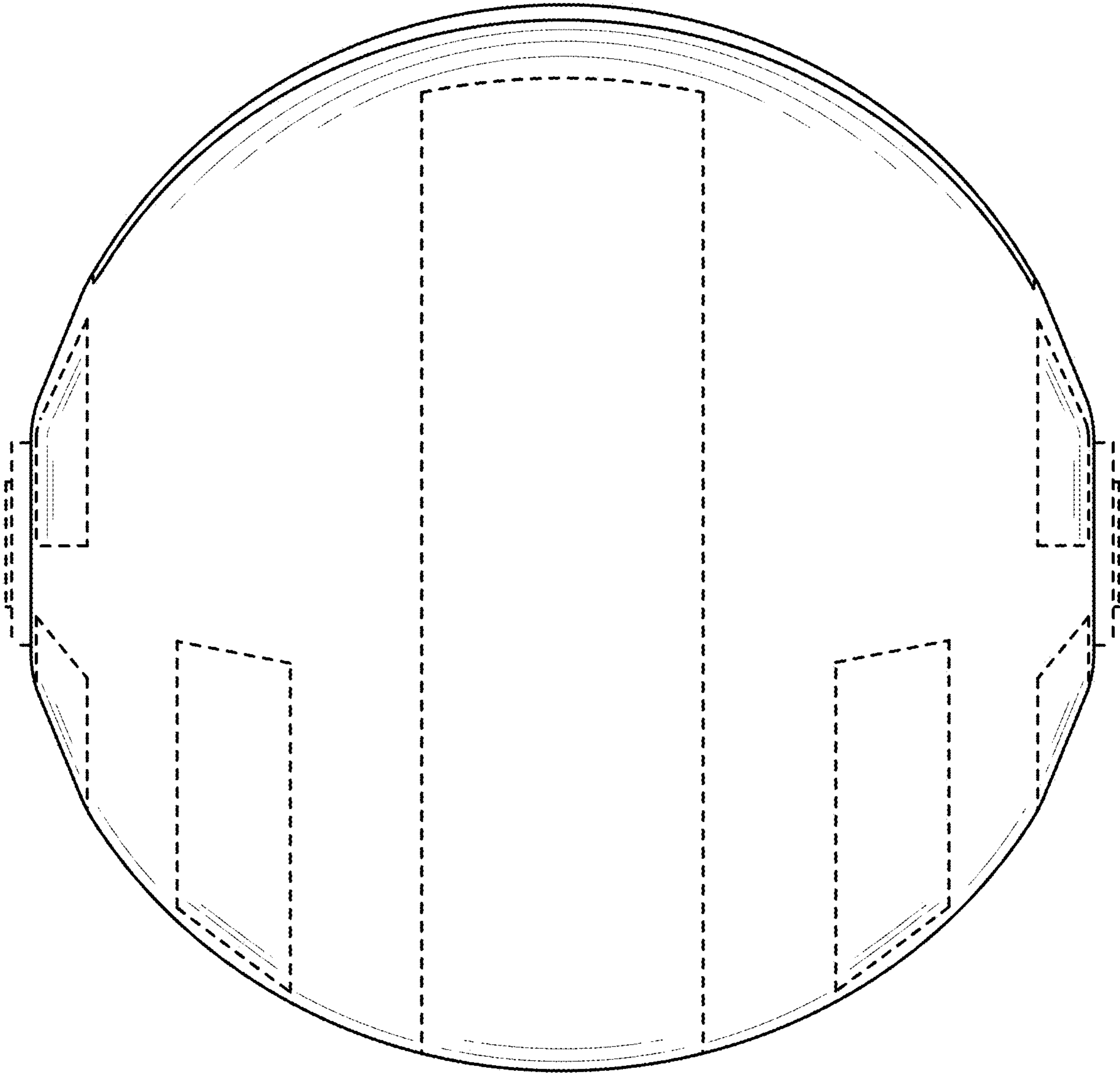


FIG. 4

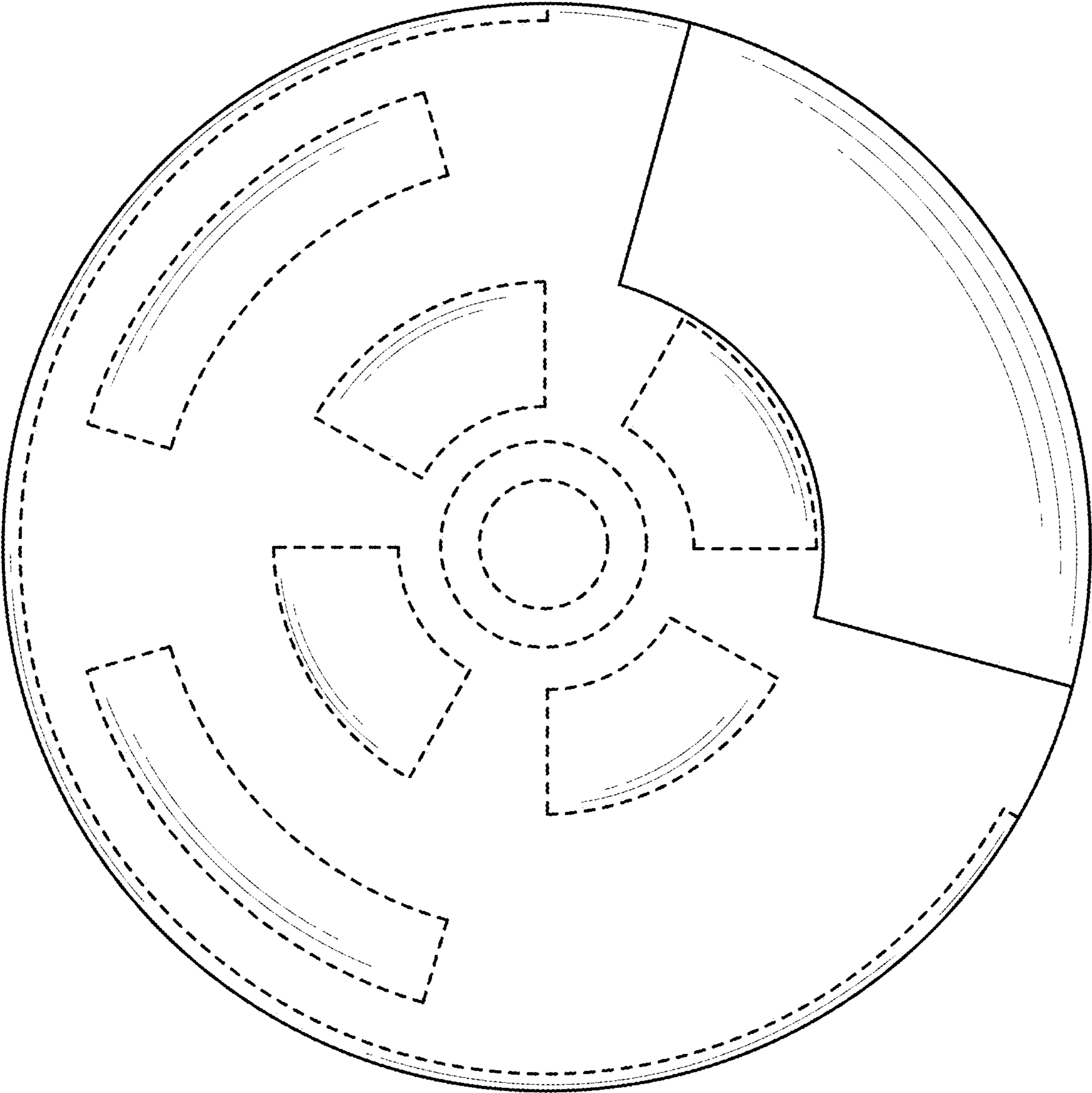


FIG. 5

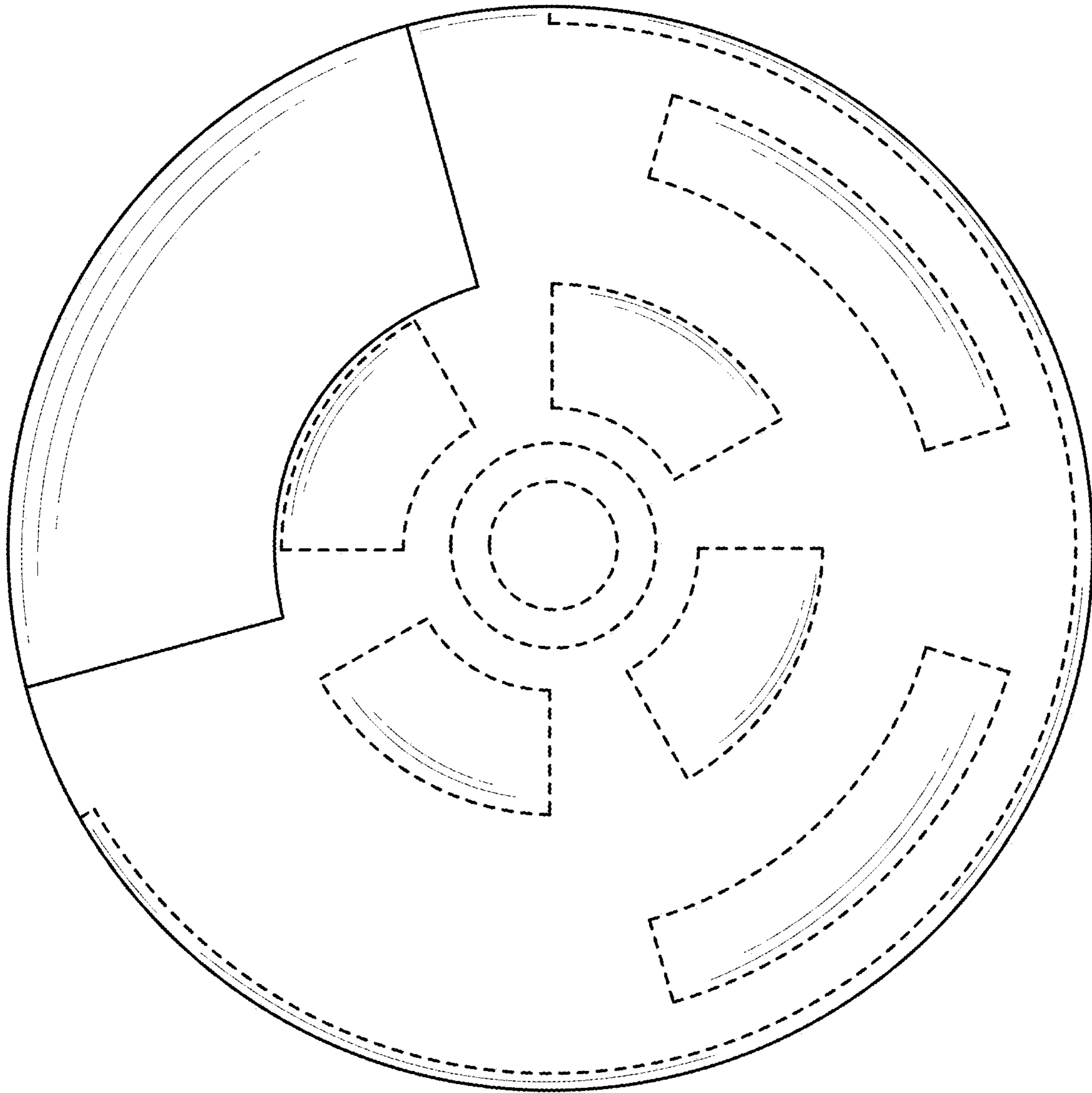


FIG. 6

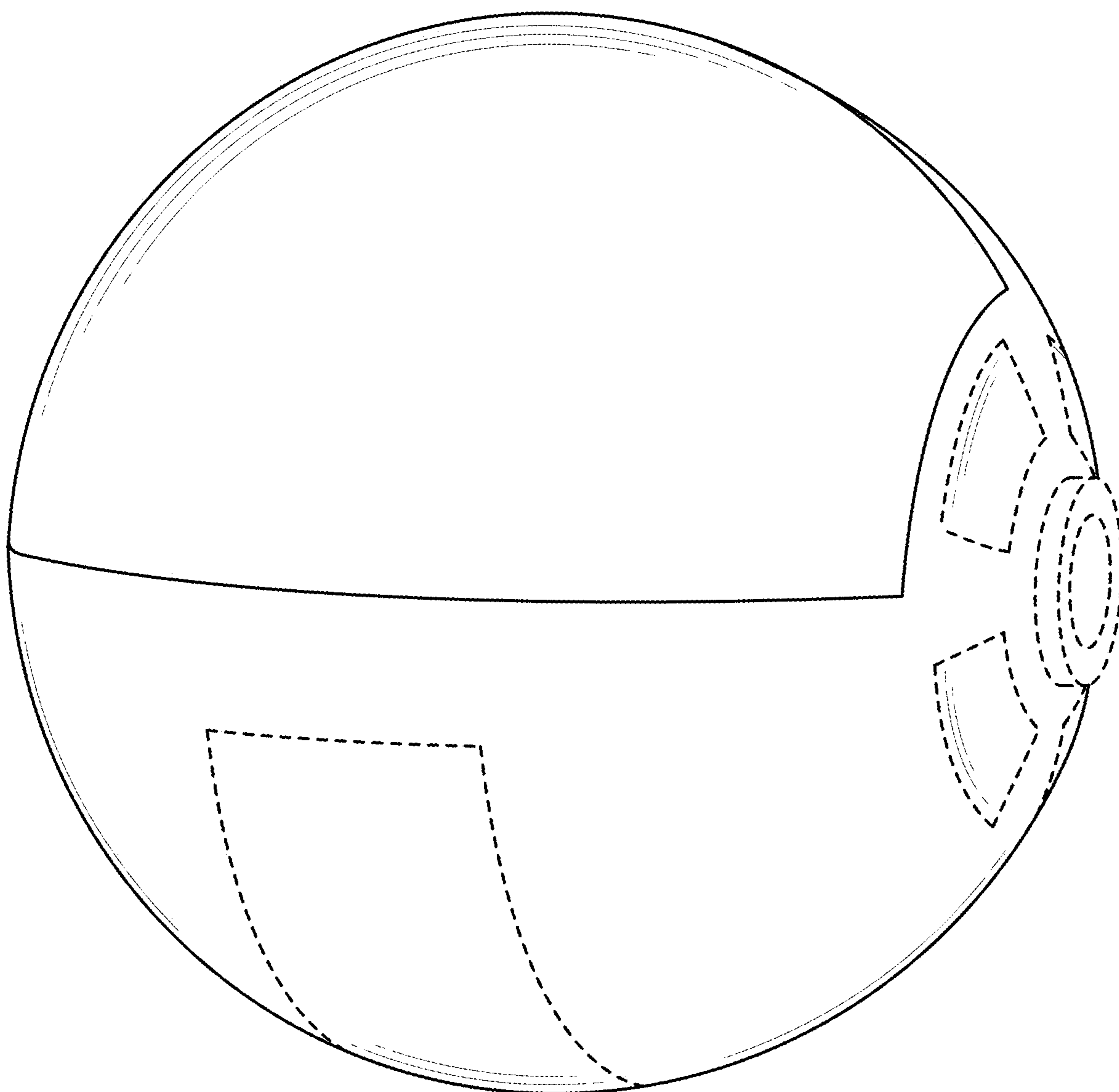


FIG. 7

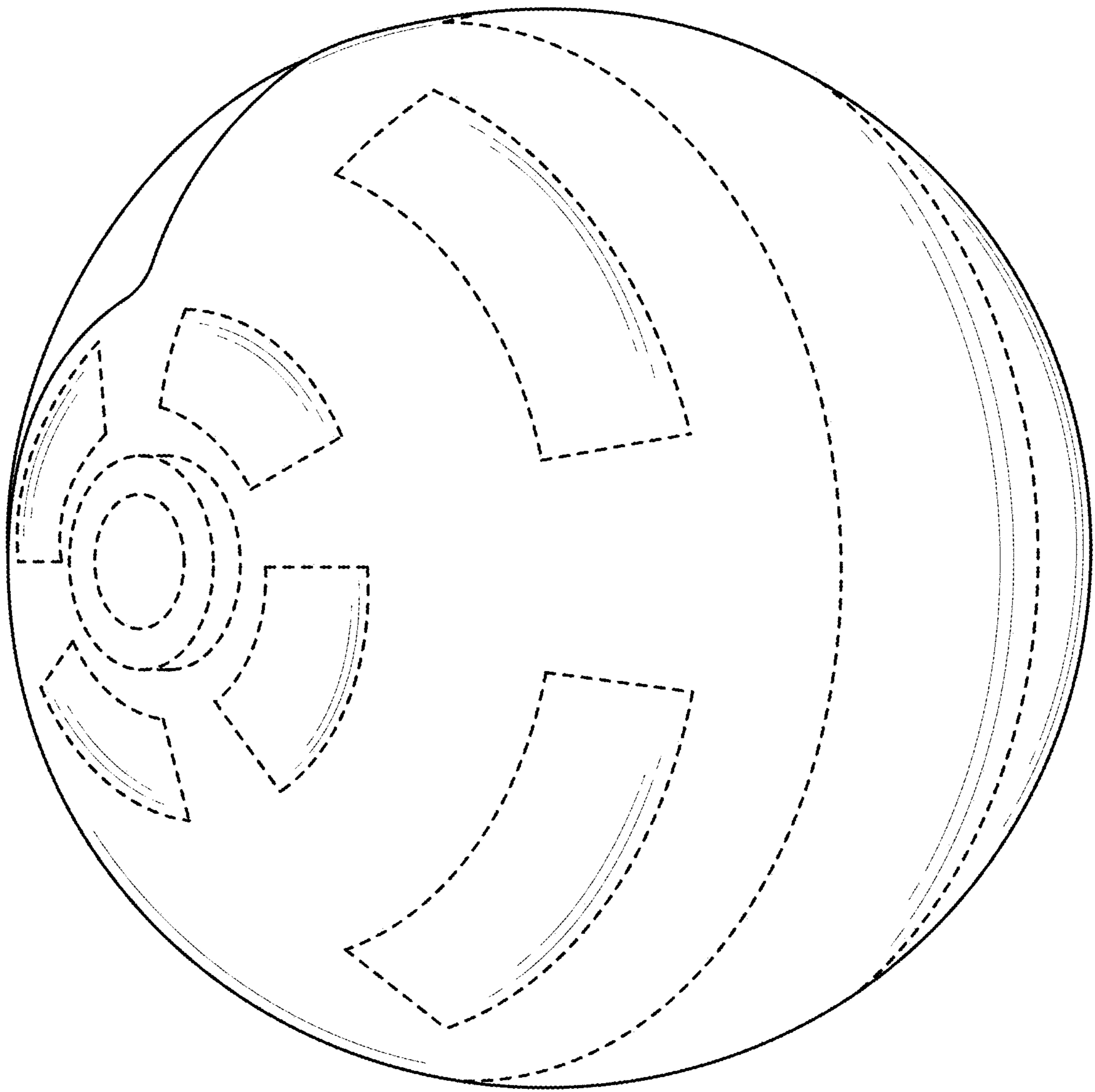


FIG. 8