



US00D903574S

(12) **United States Design Patent** (10) **Patent No.:** **US D903,574 S**
Akiyama (45) **Date of Patent:** **** Dec. 1, 2020**

(54) **BOAT**
(71) Applicant: **Minoru Akiyama**, Okazaki (JP)
(72) Inventor: **Minoru Akiyama**, Okazaki (JP)
(73) Assignee: **TOYOTA JIDOSHA KABUSHIKI KAISHA**
(**) Term: **15 Years**
(21) Appl. No.: **29/665,703**
(22) Filed: **Oct. 5, 2018**
(51) **LOC (12) Cl.** **12-06**
(52) **U.S. Cl.**
USPC **D12/315**
(58) **Field of Classification Search**
USPC D12/300, 303, 307, 310, 317, 318, 304,
D12/306, 308, 312, 313, 314, 315, 316,
D12/413; D14/300; D21/542, 544
CPC B63B 1/00; B63B 1/042; B63B 1/125;
B63B 7/00; B63B 34/10; B63B 34/14;
B63H 8/00; B63H 9/00
See application file for complete search history.

(56) **References Cited**

U.S. PATENT DOCUMENTS

4,383,828	A *	5/1983	Wynne	B63B 1/08 114/343
D290,949	S *	7/1987	Scarboro	D12/315
D429,682	S *	8/2000	Garland	D12/300
D488,841	S *	4/2004	Yuen	D21/542
D508,962	S *	8/2005	Sapir	D21/542
D700,127	S *	2/2014	Fuller, IV	D12/300
D770,963	S *	11/2016	Demaria	D12/300
D818,419	S *	5/2018	Mattila	D12/300

OTHER PUBLICATIONS

Azimut Yachts 80, www.nautal.com [online]. Published on or before Apr. 18, 2020, [retrieved on Apr. 18, 2020]. Retrieved from the

Internet: <URL:https://www.nautal.com/rent-yacht-azimut-yachts-80-doca-alcantara-lisbon-47329> (Year: 2020).*
Princess F55 Flybridge Boat, www.princess.co.uk [online]. Published on or before Apr. 18, 2020, [retrieved on Apr. 18, 2020]. Retrieved from the Internet: <URL:https://www.princess.co.uk/boat/princess-f55/> (Year: 2020).*
The Lexus LY 650, www.lexus.com [online]. Published on or before Apr. 18, 2020, [retrieved on Apr. 18, 2020]. Retrieved from the Internet: <URL:https://www.lexus.com/LY-650/> (Year: 2020).*
Toyota Global Newsroom, Lexus Sport Yacht Concept (2017), <https://newsroom.toyota.co.jp/en/detail/14709259>, Jan. 13, 2017. Azimut Yachts website, Azimut 66 Flybridge, <http://www.azimutyachts.com/azimut66.html>, available as early as Jul. 16, 2018.

(Continued)

Primary Examiner — Karen E Kearney
Assistant Examiner — Adam C Mager
(74) *Attorney, Agent, or Firm* — Saidman DesignLaw Group, LLC

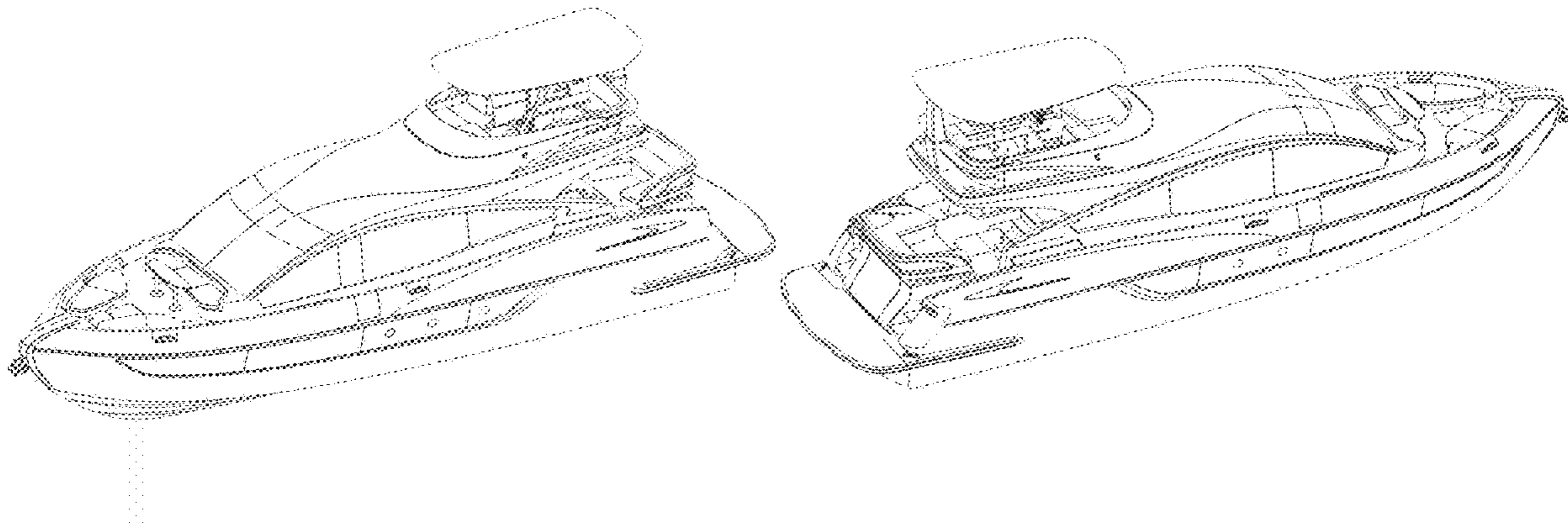
(57) **CLAIM**

The ornamental design for a boat, as shown and described.

DESCRIPTION

FIG. 1 is a front perspective view of a boat showing my new design;
FIG. 2 is a rear perspective view thereof;
FIG. 3 is a front view thereof;
FIG. 4 is a rear view thereof;
FIG. 5 is a left side view thereof;
FIG. 6 is a right side view thereof;
FIG. 7 is a top view thereof; and,
FIG. 8 is a bottom view thereof.

1 Claim, 8 Drawing Sheets



(56)

References Cited

OTHER PUBLICATIONS

Pershing website, Pershing 74, <<http://www.pershing-yacht.com/en-us/models/model/idbm/40/idm/64/idbr/6/mv/pub>>, available as early as Jul. 16, 2018.

SeaRay website, SeaRay L650 Fly, <<http://global.searay.com/page.aspx/pageid/163555/pmid/366354/L650-Fly.aspx>>, available as early as Jul. 16, 2018.

Toyota Global Newsroom, Lexus LY 650 (2018), <<https://newsroom.toyota.co.jp/en/lexus/24508413.html>>, Sep. 8, 2018.

* cited by examiner

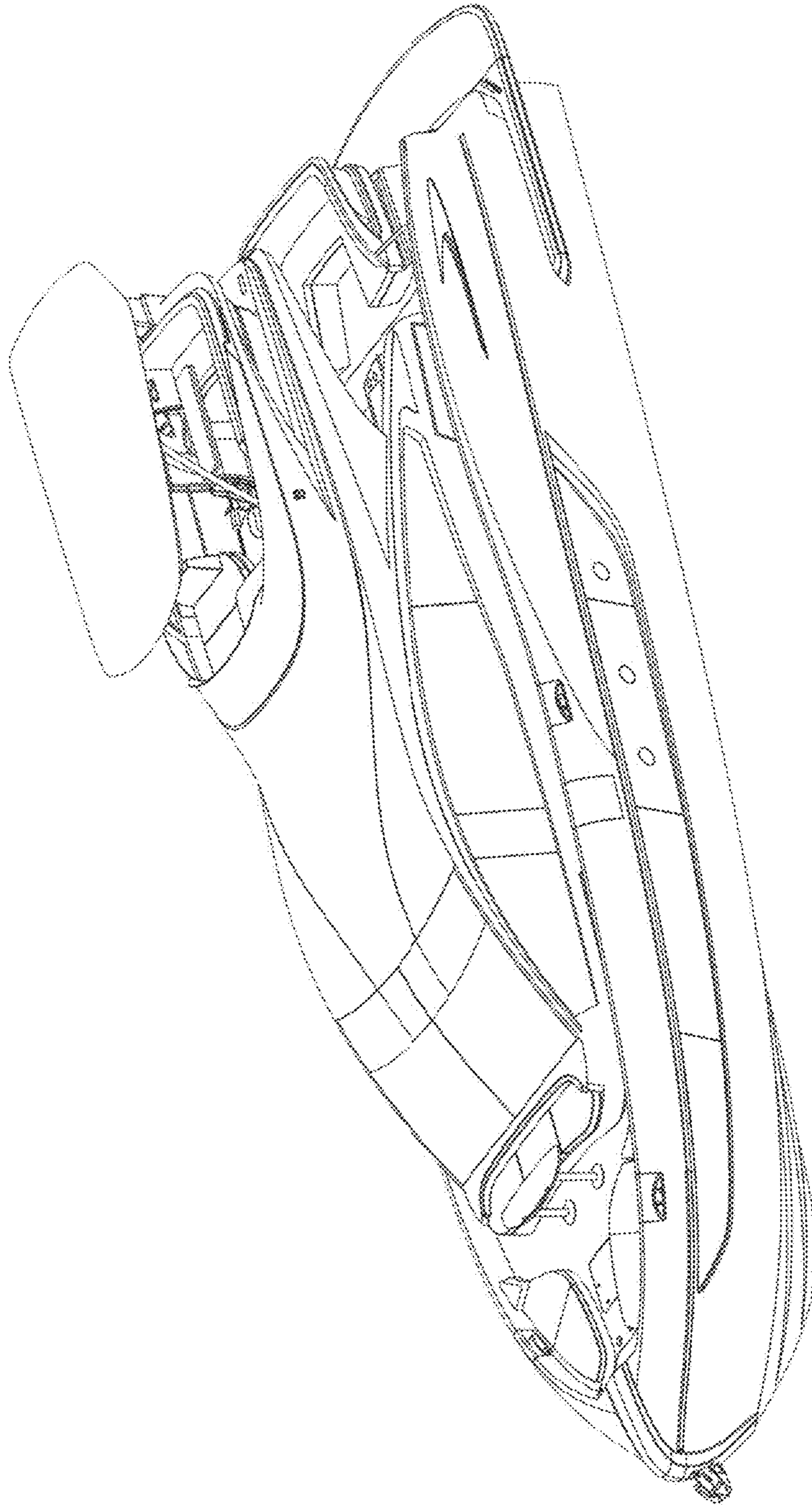


FIG. 1

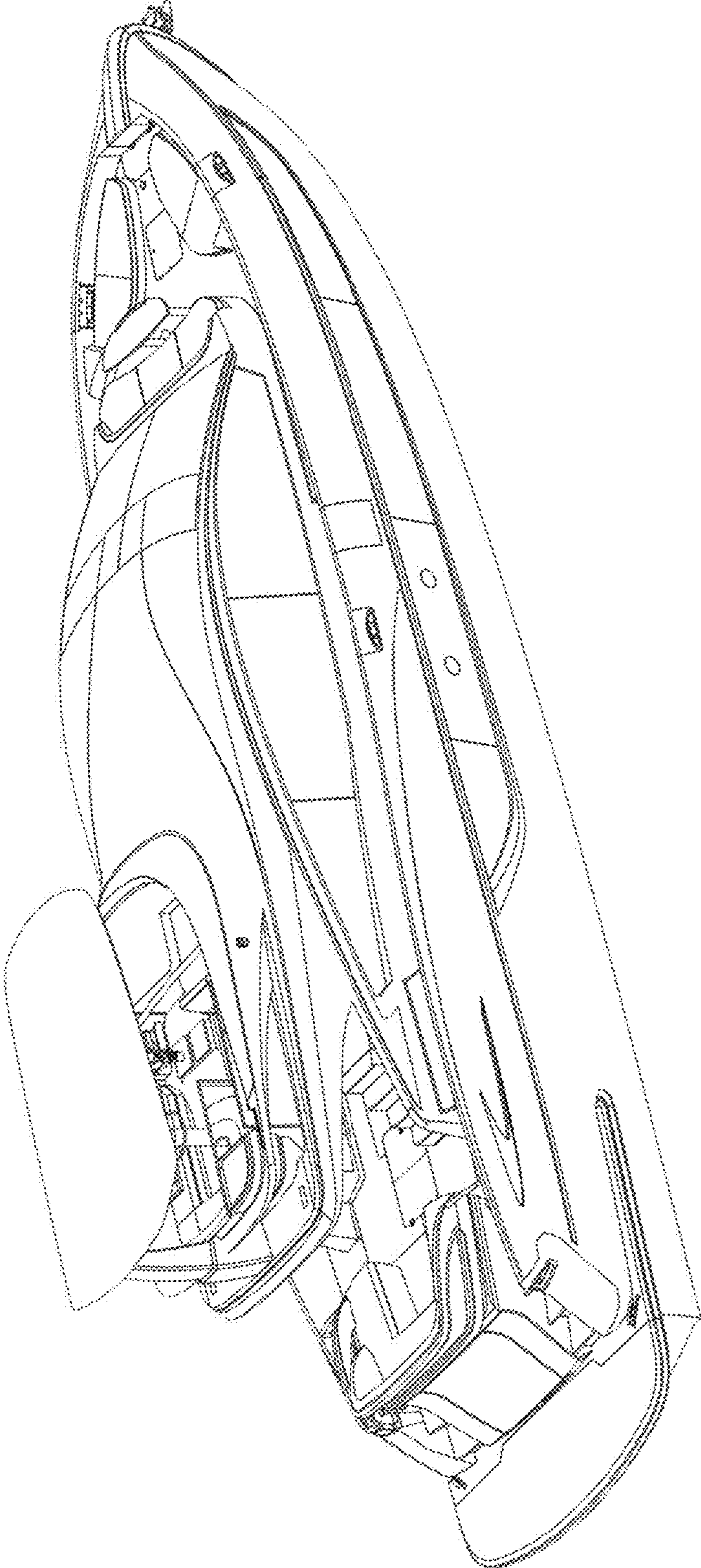


FIG. 2

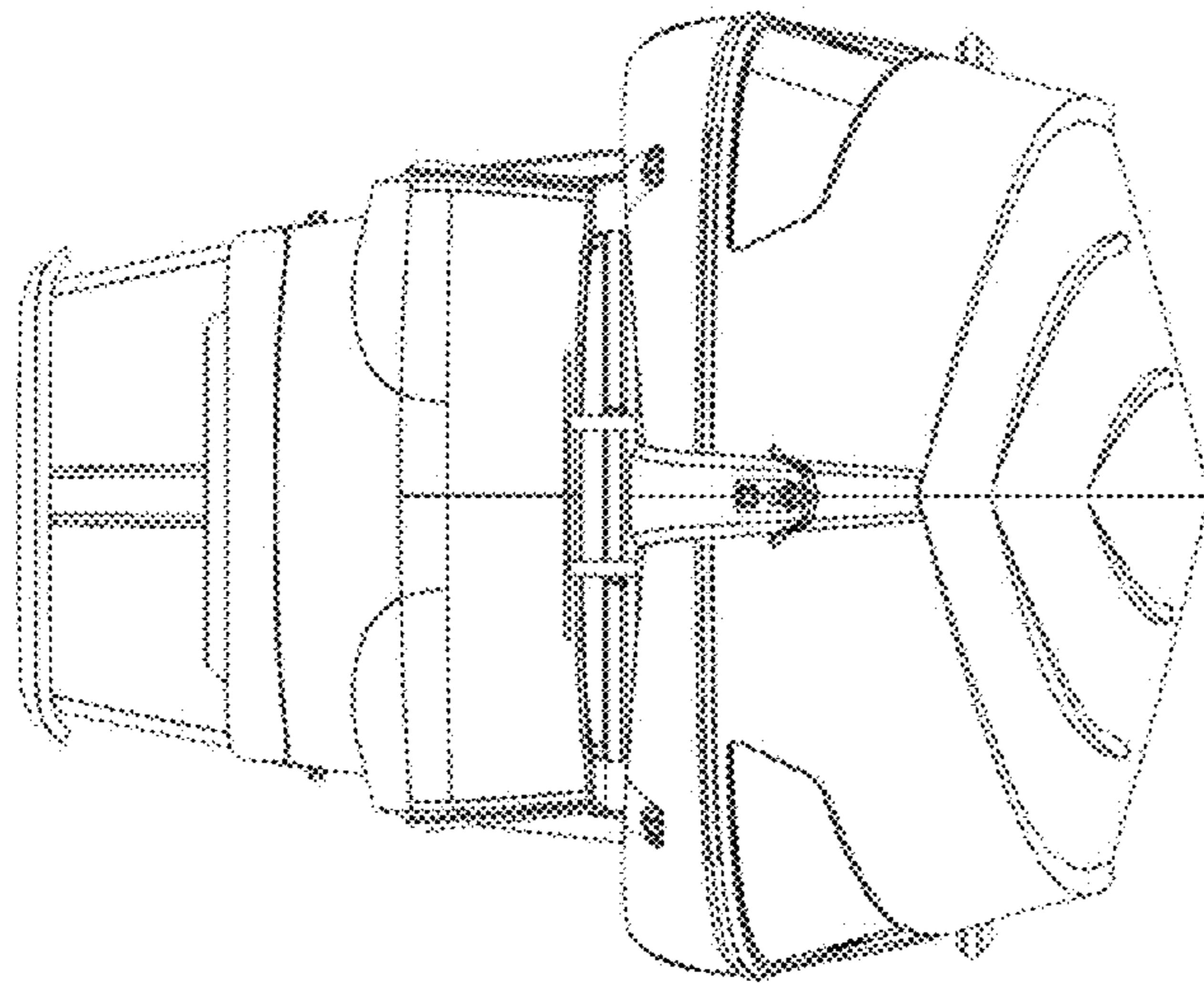


FIG. 3

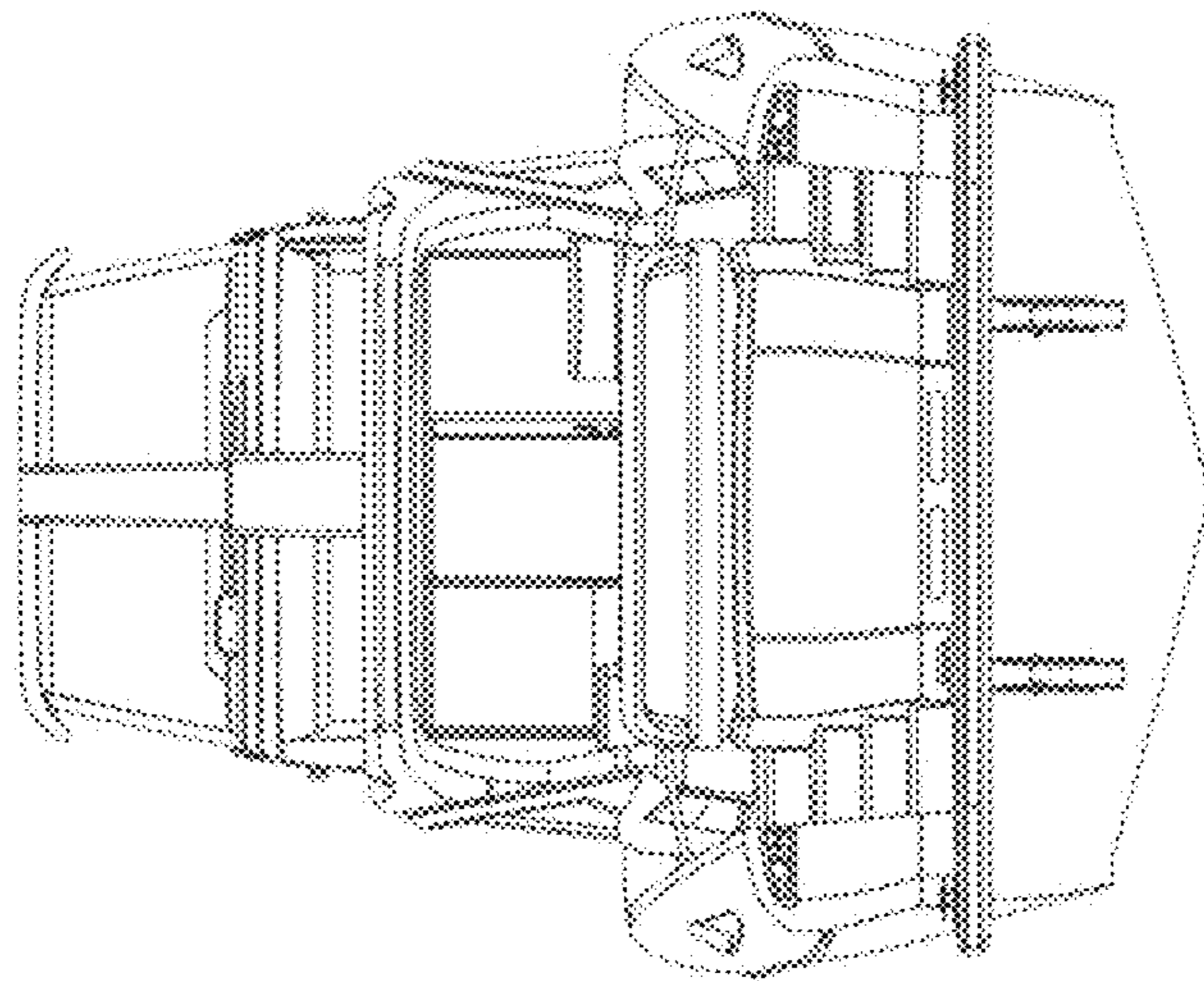


FIG. 4

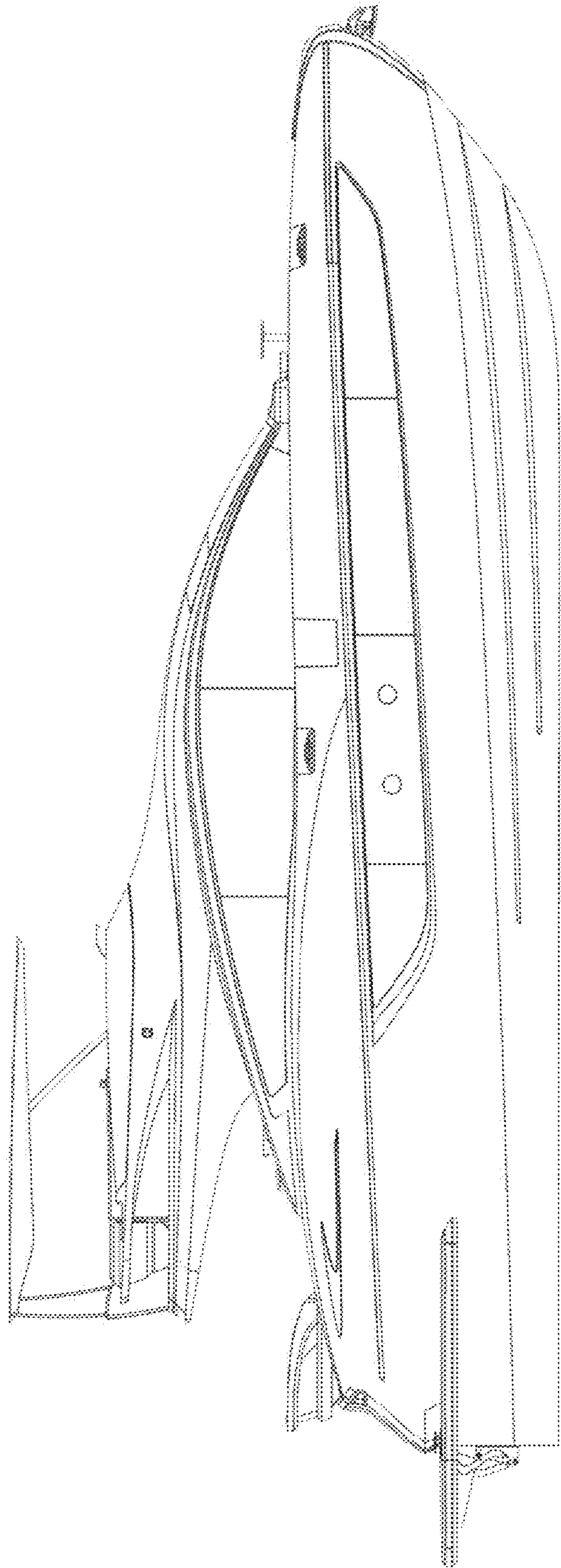


FIG. 5

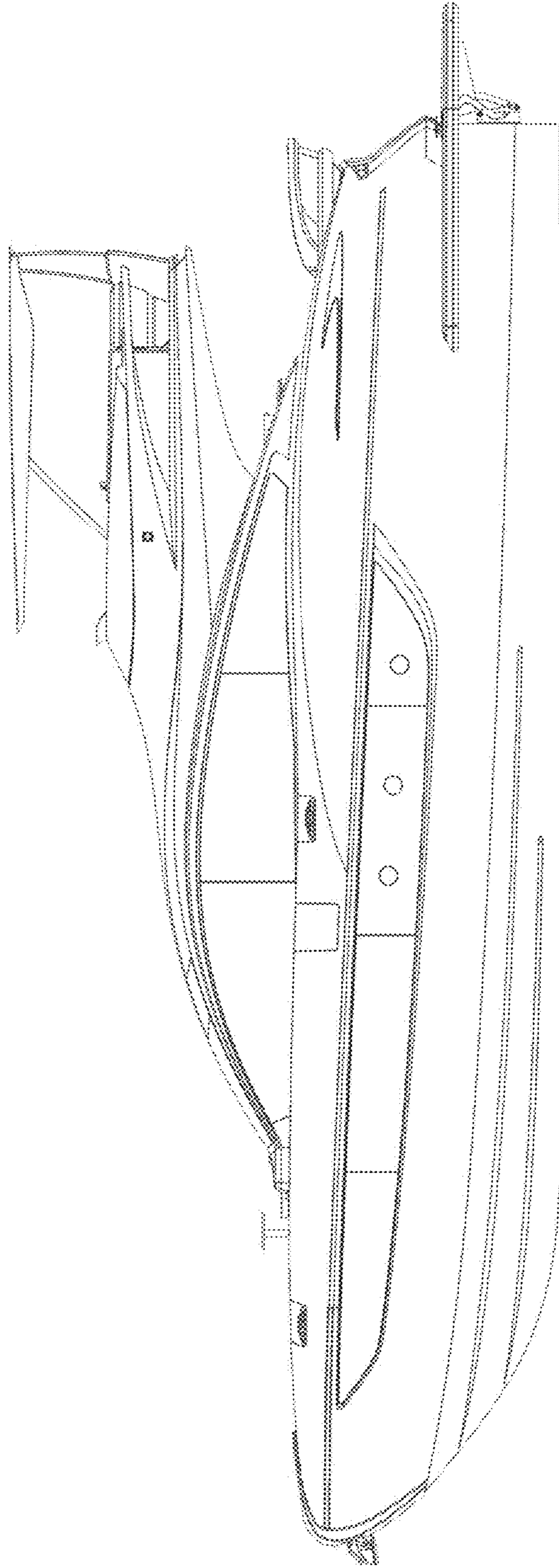


FIG. 6

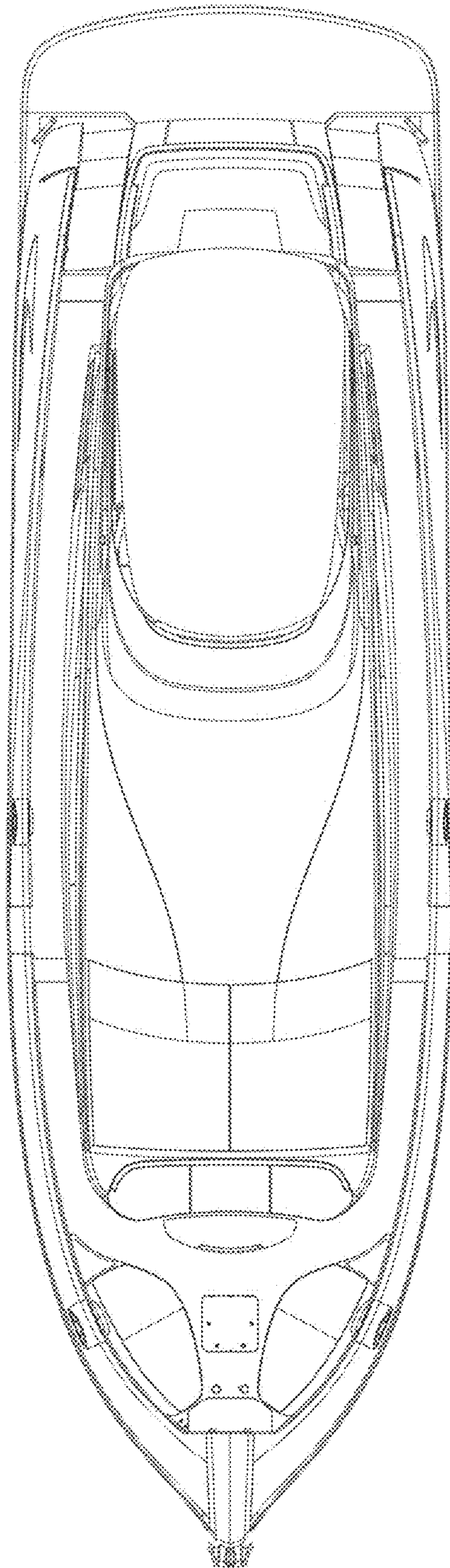


FIG. 7

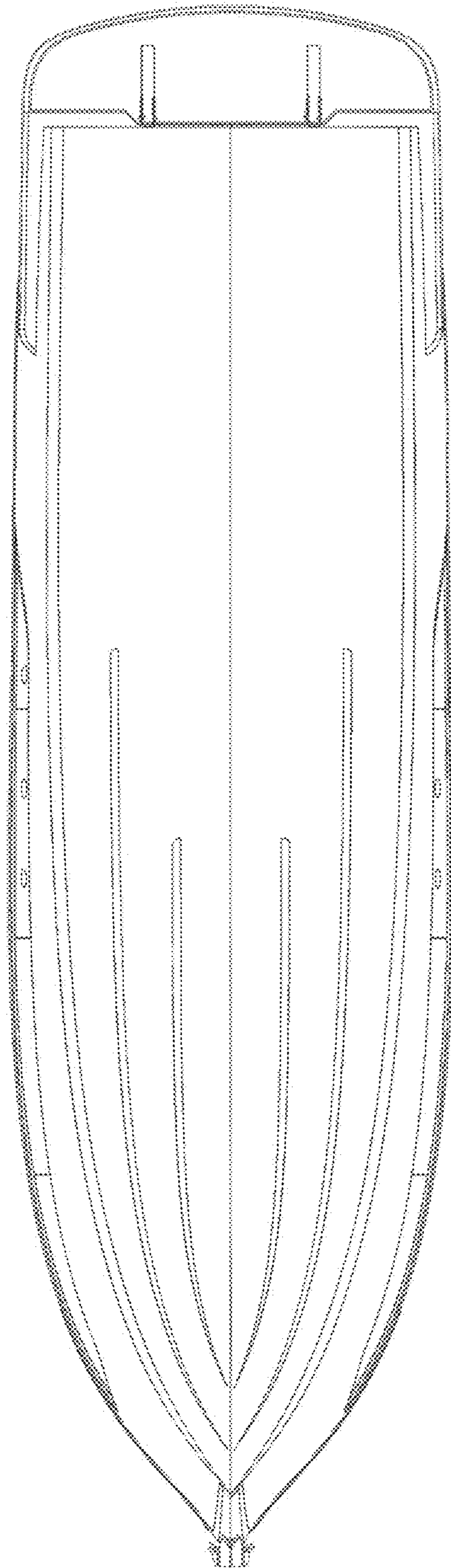


FIG. 8