



US00D903571S

(12) **United States Design Patent**  
**Swerdloff**

(10) **Patent No.:** **US D903,571 S**

(45) **Date of Patent:** **\*\* Dec. 1, 2020**

(54) **WHEEL RIM**

(71) Applicant: **OE Wheels Distributors, LLC,**  
Sarasota, FL (US)

(72) Inventor: **Jordan Max Swerdloff,** Sarasota, FL  
(US)

(73) Assignee: **O.E. WHEEL DISTRIBUTORS,**  
**LLC,** Sarasota, FL (US)

(\*\*) Term: **15 Years**

(21) Appl. No.: **29/734,914**

(22) Filed: **May 15, 2020**

**Related U.S. Application Data**

(62) Division of application No. 35/507,229, filed on Dec. 4, 2018 (U.S. filing date under 35 U.S.C. 384), and having an international filing date of Dec. 4, 2018, now Pat. No. Des. 890,069.

(51) **LOC (12) Cl.** ..... **12-16**

(52) **U.S. Cl.**  
USPC ..... **D12/209**

(58) **Field of Classification Search**  
USPC ..... D12/204–213; D21/533, 561, 563  
CPC .... B60B 7/00; B60B 7/02; B60B 7/04; B60B 7/06; B60B 3/02; B60B 3/04; B60B 3/06; B60B 3/10; B60B 1/00; B60B 1/08; B60B 1/10; B60B 1/12  
See application file for complete search history.

(56) **References Cited**

**U.S. PATENT DOCUMENTS**

D375,073 S \* 10/1996 Theiss ..... D12/209  
D504,650 S \* 5/2005 Ishiwata ..... D12/209  
D680,933 S \* 4/2013 Hale, Jr. .... D12/209

D680,935 S \* 4/2013 Claunch ..... D12/209  
D686,958 S \* 7/2013 Claunch ..... D12/209  
D688,615 S \* 8/2013 Hale, Jr. .... D12/209  
D722,545 S \* 2/2015 Chung ..... D12/209  
D736,136 S \* 8/2015 Hale, Jr. .... D12/213  
D741,241 S \* 10/2015 Hale, Jr. .... D12/211  
D741,776 S \* 10/2015 Zhao ..... D12/211  
D828,266 S \* 9/2018 Garcia ..... D12/209  
D828,270 S \* 9/2018 Aslam ..... D12/211  
D830,269 S \* 10/2018 Garcia ..... D12/209  
D830,271 S \* 10/2018 Aslam ..... D12/213  
D830,272 S \* 10/2018 Aslam ..... D12/213  
D830,273 S \* 10/2018 Aslam ..... D12/213  
D830,274 S \* 10/2018 Aslam ..... D12/213  
D830,275 S \* 10/2018 Aslam ..... D12/213  
D830,276 S \* 10/2018 Aslam ..... D12/213  
D830,278 S \* 10/2018 Aslam ..... D12/213  
D830,942 S \* 10/2018 Aslam ..... D12/213  
D831,561 S \* 10/2018 Aiello ..... D12/213  
D832,174 S \* 10/2018 Chung ..... D12/209  
D858,888 S \* 9/2019 Teller ..... D28/85  
D858,889 S \* 9/2019 Teller ..... D28/85

\* cited by examiner

*Primary Examiner* — Sheryl Lane

*Assistant Examiner* — Calvin E Vansant

(74) *Attorney, Agent, or Firm* — Shumaker, Loop & Kendrick, LLP

(57) **CLAIM**

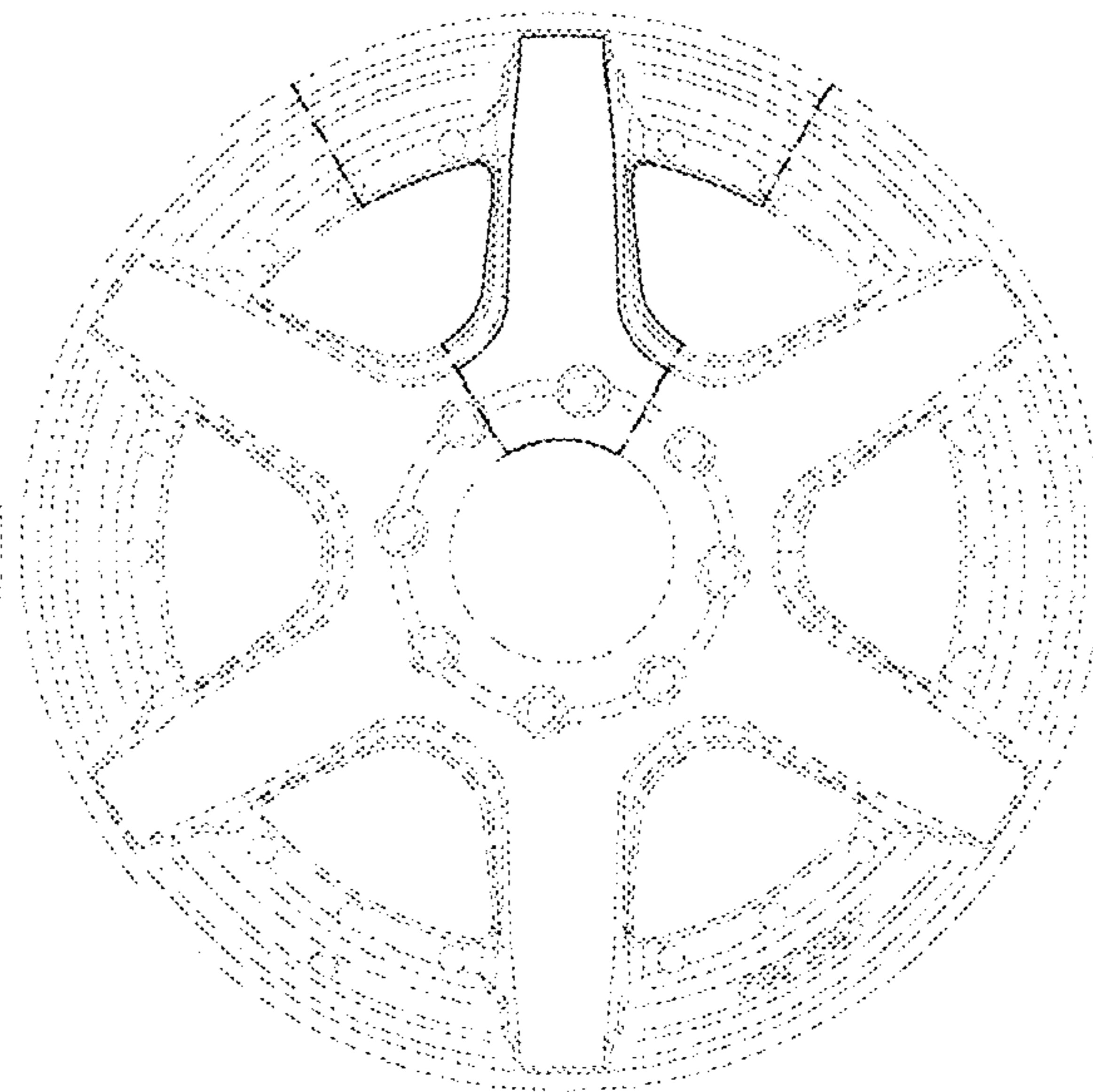
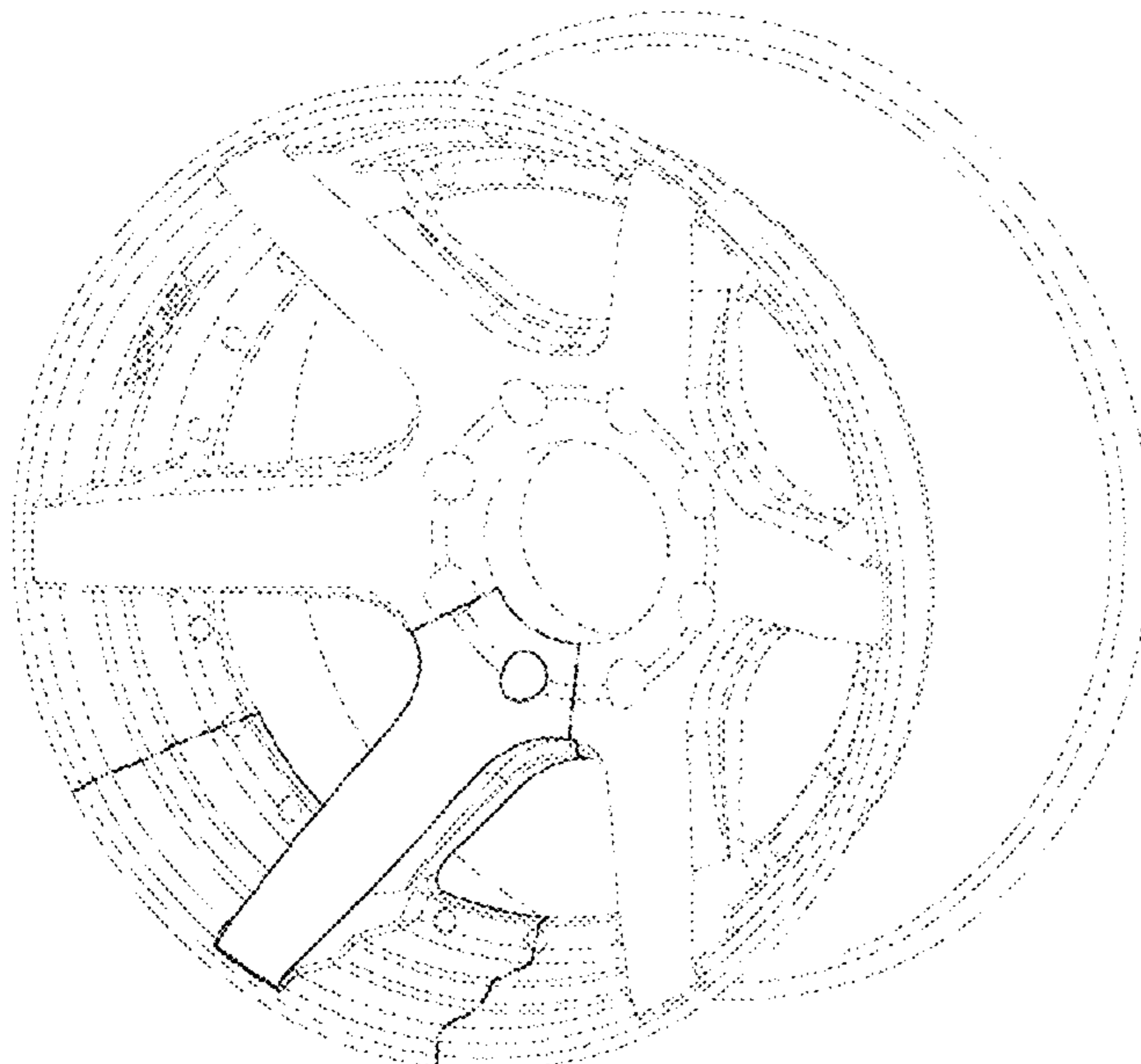
The ornamental design of a wheel rim, as shown and described.

**DESCRIPTION**

FIG. 1 is a perspective view of the wheel rim features; and, FIG. 2 is a front view of the wheel rim features.

The dashed broken lines depict environmental subject matter that forms no part of the claimed design. The dot-dash lines represent boundaries of the claim and form no part of the claimed design.

**1 Claim, 2 Drawing Sheets**



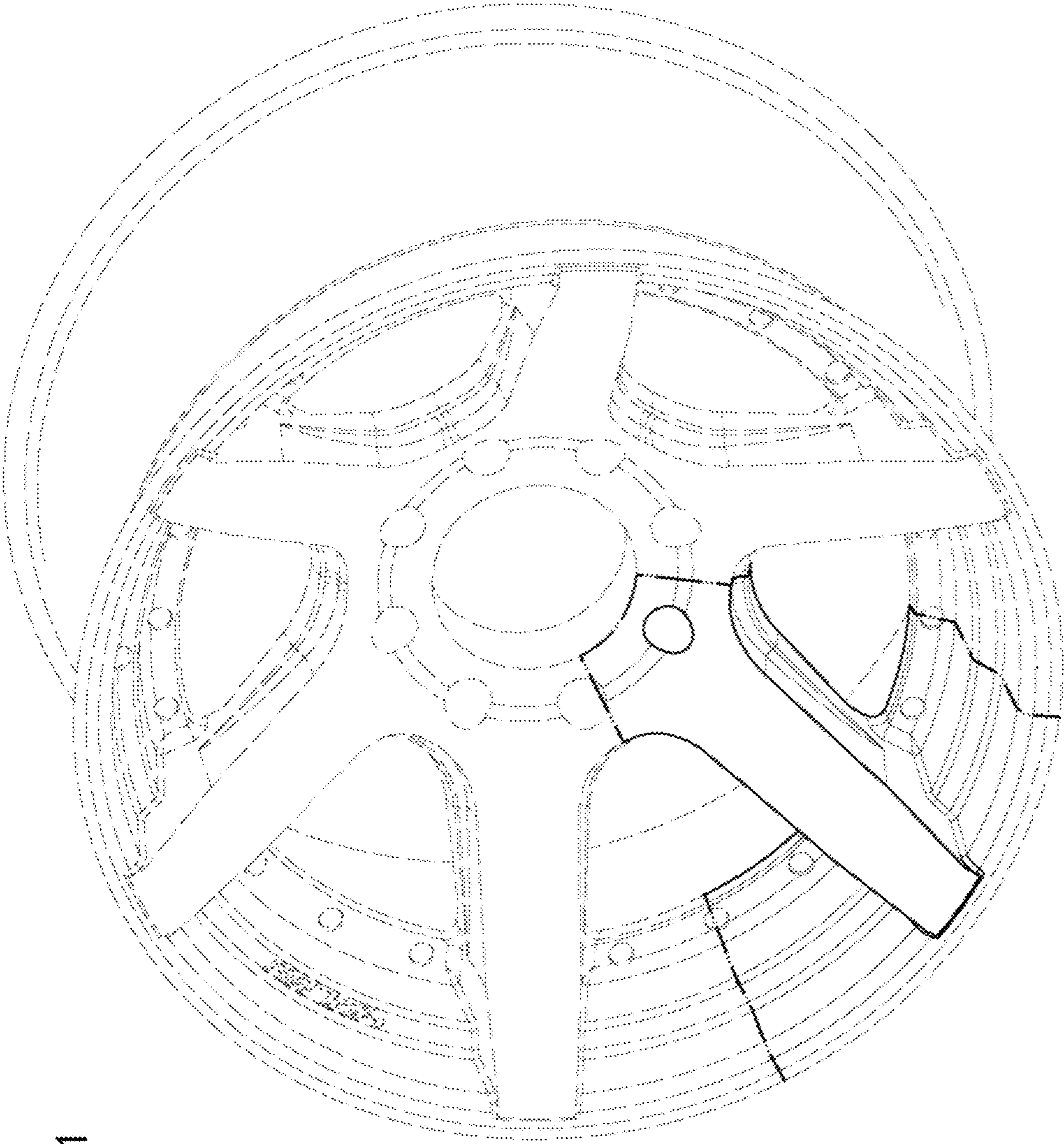


FIG. 1

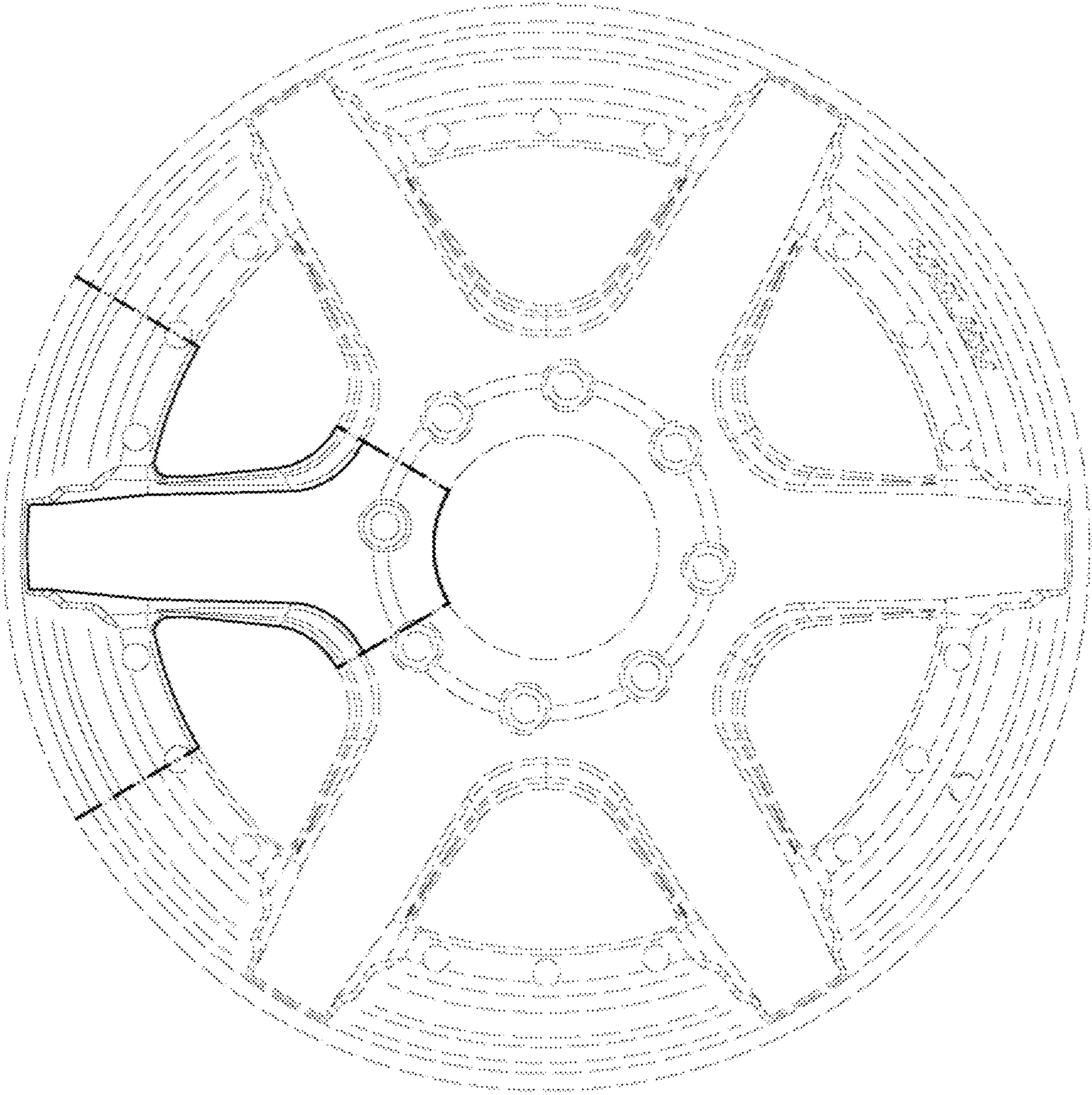


FIG. 2