



US00D903565S

(12) **United States Design Patent** (10) **Patent No.:** **US D903,565 S**  
**Peplowski** (45) **Date of Patent:** **\*\* Dec. 1, 2020**

(54) **DECORATIVE ELEMENT FOR A VEHICLE**

FOREIGN PATENT DOCUMENTS

(71) Applicant: **Bayerische Motoren Werke Aktiengesellschaft, Munich (DE)**

WO WO DM/069623 6/2008

(72) Inventor: **Jacek Peplowski, Munich (DE)**

OTHER PUBLICATIONS

(73) Assignee: **Bayerische Motoren Werke Aktiengesellschaft, Munich (DE)**

2pcs Black Chrome Side Wing Air Flow Fender. Ebay. No date. [https://www.ebay.com/p/2237588392?iid=291862787618&chn=ps&norover=1&mkevt=1&mkrid=711-117182-37290-0&mkcid=2&itemid=291862787618&targetid=915850928613&device=c&mktype=pla&googleloc=9009649&poi=&campaignid=10455986539&mkgroupid=104612010460&rlsataarget=p.\\*](https://www.ebay.com/p/2237588392?iid=291862787618&chn=ps&norover=1&mkevt=1&mkrid=711-117182-37290-0&mkcid=2&itemid=291862787618&targetid=915850928613&device=c&mktype=pla&googleloc=9009649&poi=&campaignid=10455986539&mkgroupid=104612010460&rlsataarget=p.*)  
First Look: Next-gen BMW M5. Aug. 17, 2011. The Detroit Bureau. [http://www.thedetroitbureau.com/2011/08/first-look-next-gen-bnmw-m5/?mode=grp&gid=130353.\\*](http://www.thedetroitbureau.com/2011/08/first-look-next-gen-bnmw-m5/?mode=grp&gid=130353.*)

(\*\*) Term: **15 Years**

(21) Appl. No.: **29/691,057**

(22) Filed: **May 14, 2019**

\* cited by examiner

(30) **Foreign Application Priority Data**

Nov. 20, 2018 (DE) ..... 40 2018 101 182

(51) **LOC (12) Cl.** ..... **12-16**

(52) **U.S. Cl.**  
USPC ..... **D12/196**

(58) **Field of Classification Search**  
USPC ..... D3/318; D12/86, 90, 91, 92, 163, 169, D12/171, 196, 216

CPC ..... B60R 19/02; B60R 19/04; B62D 25/00; B62D 25/06; B62D 25/08; B62D 35/00

See application file for complete search history.

*Primary Examiner* — Janice Hallmark

*Assistant Examiner* — Suzanne E Tisdell

(74) *Attorney, Agent, or Firm* — Crowell & Moring LLP

(57) **CLAIM**

The ornamental design for a decorative element for a vehicle, as shown and described.

**DESCRIPTION**

This application contains subject matter related to the following co-pending U.S. design patent applications: Application Ser. No. 29/691,053, filed herewith and entitled "Vehicle, Toy, and/or Replicas Thereof"; and Application Ser. No. 29/691,054, filed herewith and entitled "Vehicle, Toy, and/or Replicas Thereof".

FIG. 1 is a front view of a decorative element for a vehicle according to the design;

FIG. 2 is a left, front perspective view thereof;

FIG. 3 is a right, front perspective view thereof;

FIG. 4 is a left side view thereof;

FIG. 5 is a right side view thereof;

FIG. 6 is a top view thereof;

FIG. 7 is a bottom view thereof; and,

FIG. 8 is a rear view thereof.

(56) **References Cited**

U.S. PATENT DOCUMENTS

D421,817 S \* 3/2000 Tucker ..... D26/139  
D600,185 S 9/2009 Habib  
D808,317 S \* 1/2018 Piscitelli ..... D12/190  
D835,003 S \* 12/2018 Thompson ..... D12/91  
D852,389 S \* 6/2019 Koo ..... D26/2  
D860,863 S \* 9/2019 Jonason ..... D12/91  
D863,108 S \* 10/2019 Hur ..... D12/91  
D864,028 S \* 10/2019 Yong ..... D12/91  
D864,030 S \* 10/2019 Yong ..... D12/91  
10,435,922 B2 \* 10/2019 Kovie ..... E05B 85/13  
D865,565 S \* 11/2019 Hubers ..... D12/91  
D876,989 S \* 3/2020 Karras ..... D12/91  
D879,664 S \* 3/2020 Chen ..... D12/91  
D886,679 S \* 6/2020 Hellwig ..... D12/91

**1 Claim, 8 Drawing Sheets**





Fig. 1

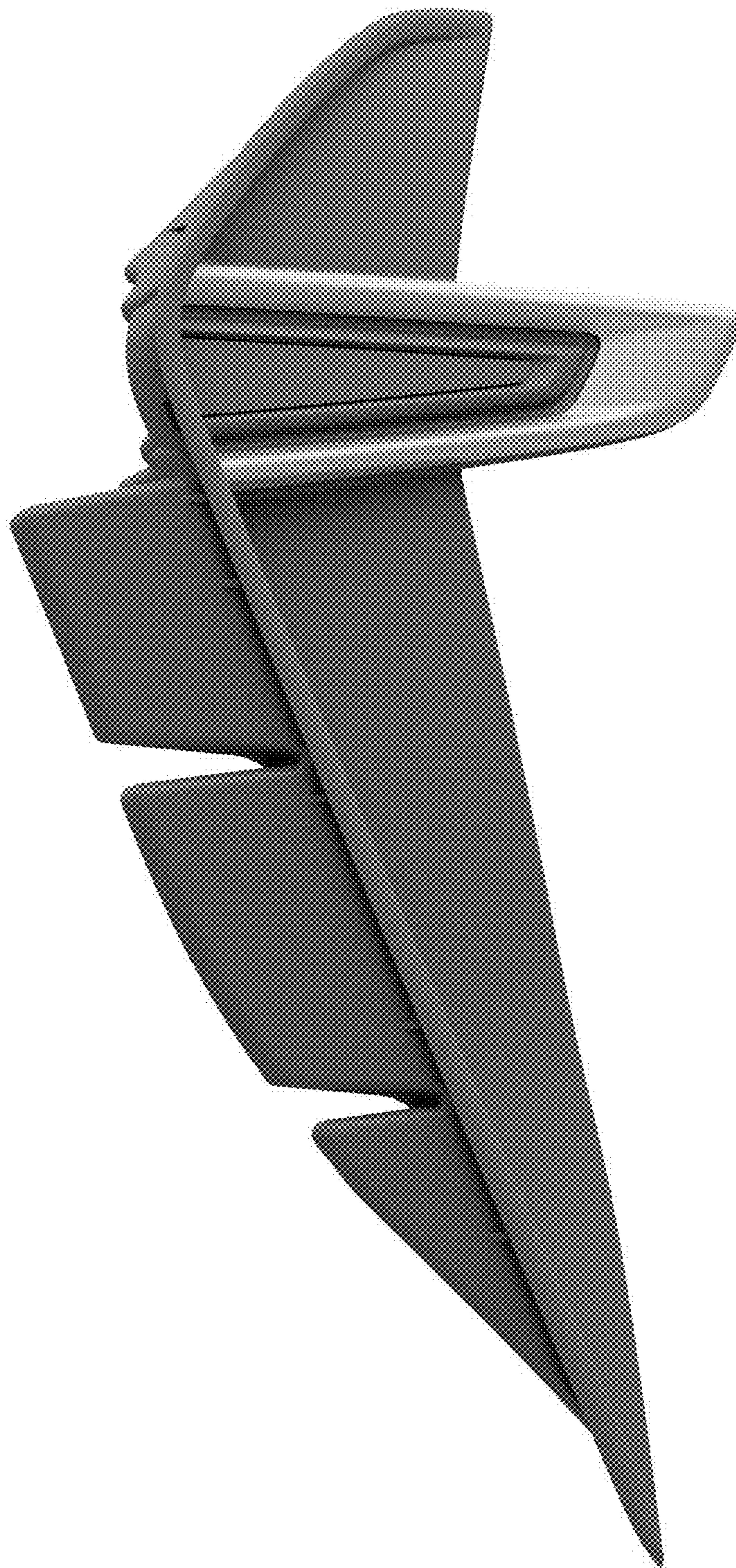


Fig. 2

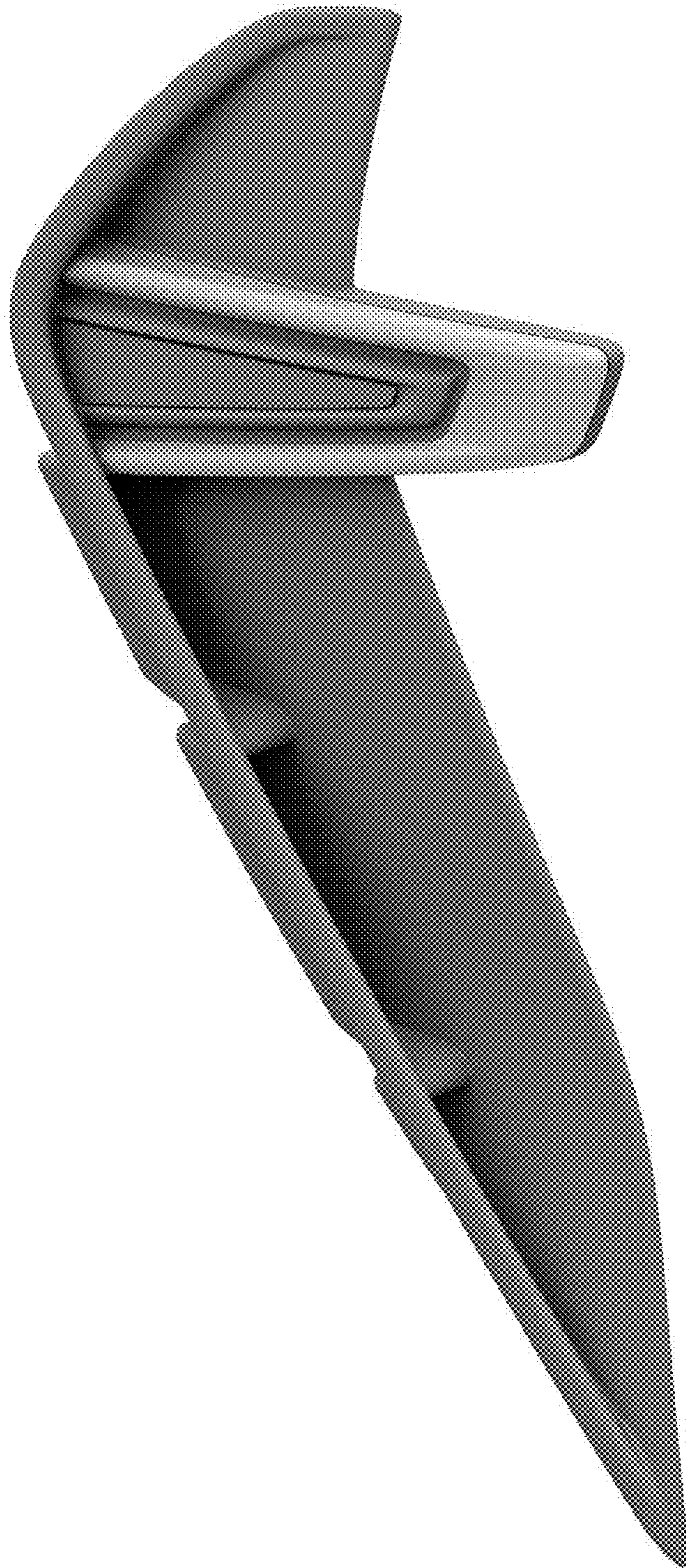


Fig. 3

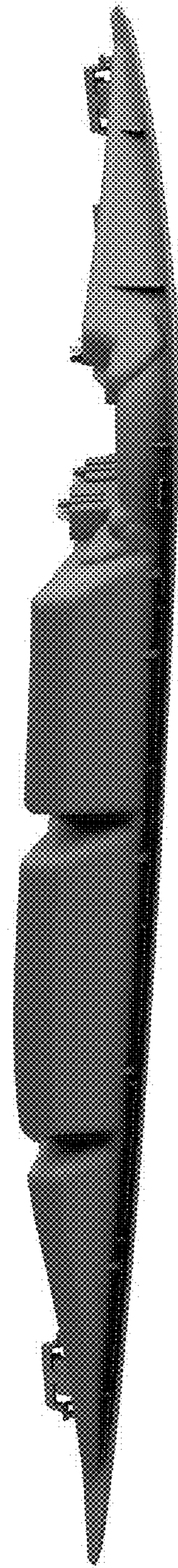


Fig. 4

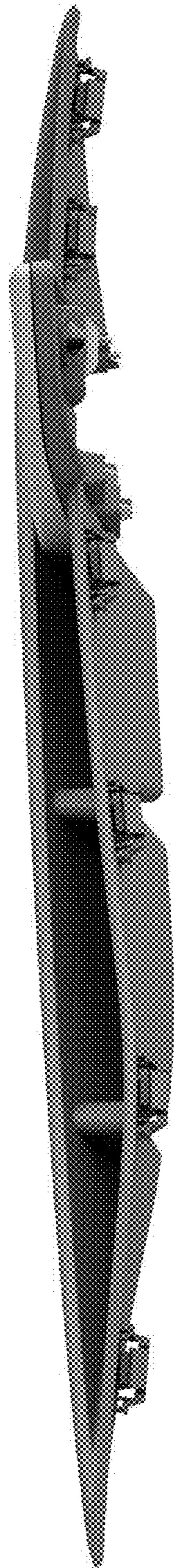


Fig. 5

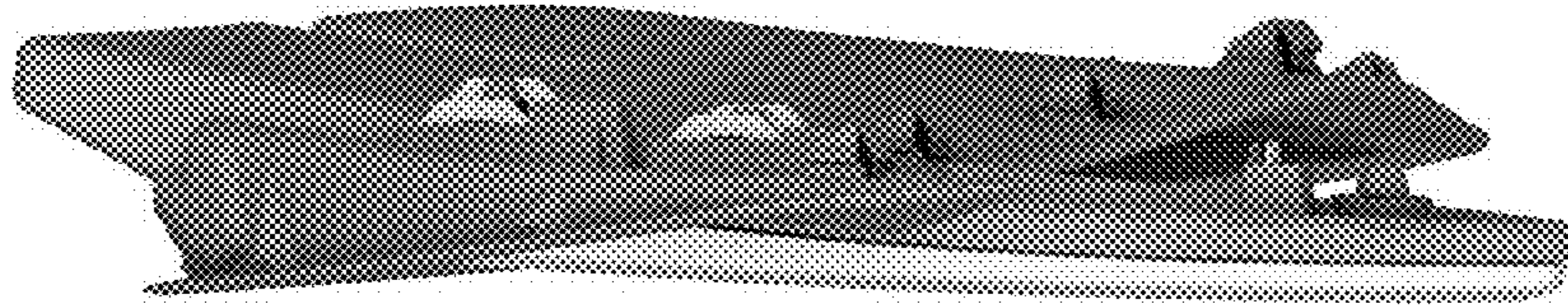


Fig. 6

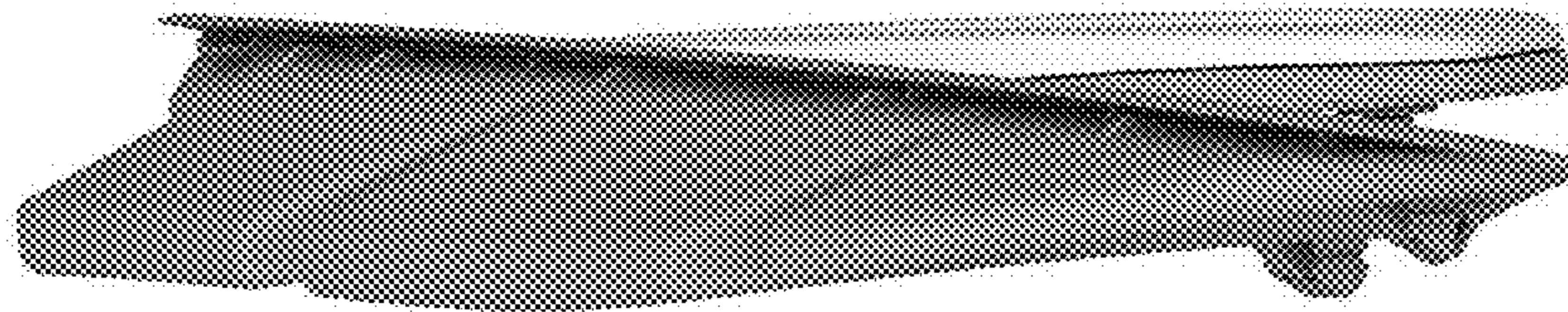


Fig. 7



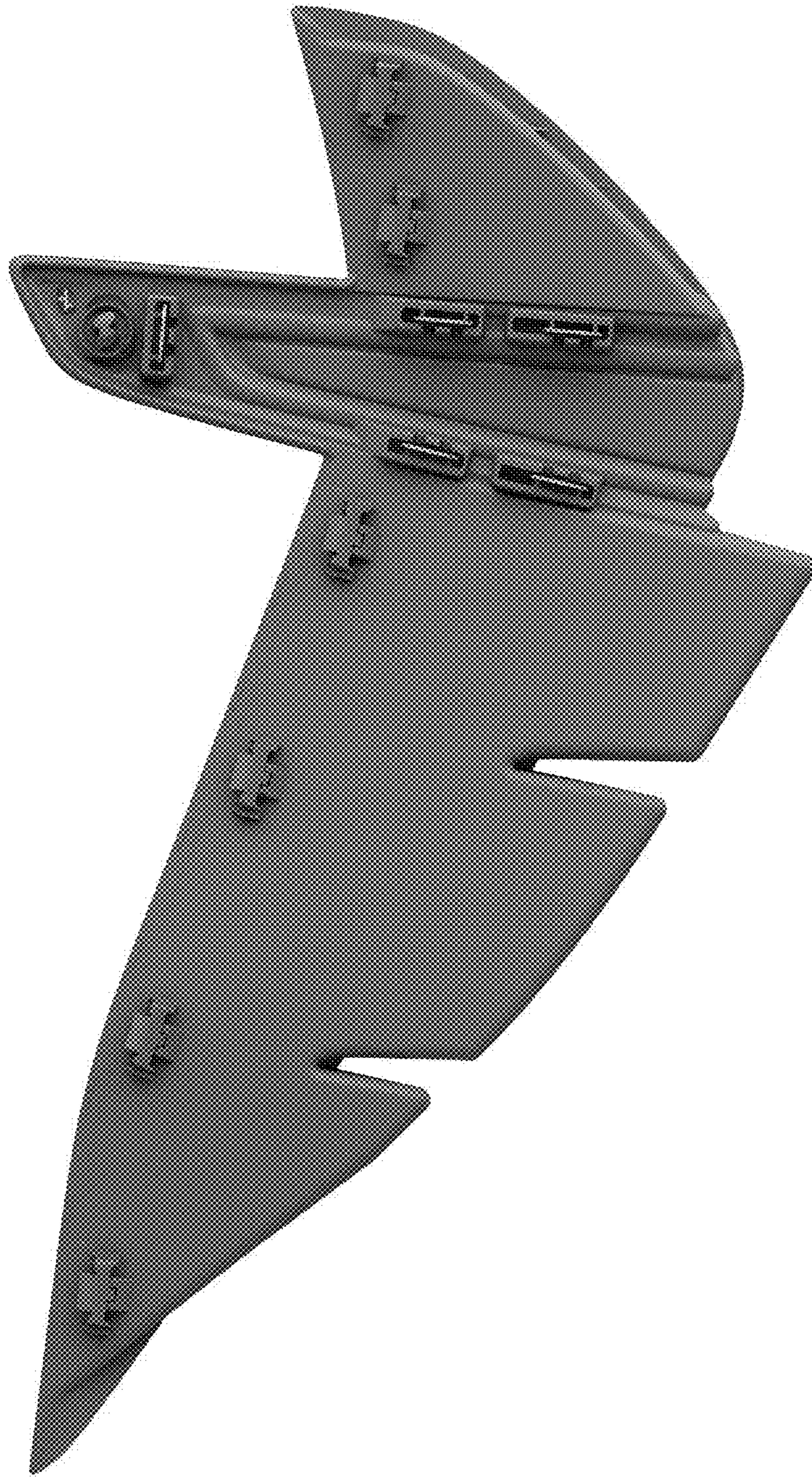


Fig. 8