



US00D903563S

(12) **United States Design Patent**
Rådbrink

(10) **Patent No.:** **US D903,563 S**
(45) **Date of Patent:** **** Dec. 1, 2020**

(54) **TAILGATE FOR VEHICLE**
(71) Applicant: **Ningbo Geely Automobile Research & Development Co., Ltd., Ningbo (CN)**
(72) Inventor: **Jon Rådbrink, Gothenburg (SE)**
(73) Assignee: **NINGBO GEELY AUTOMOBILE RESEARCH & DEVELOPMENT CO., Ningbo (CN)**

D784,885 S * 4/2017 Curic D12/196
9,688,190 B1 * 6/2017 Johnson B60Q 1/56
D816,003 S * 4/2018 Perkins D12/184
D818,922 S * 5/2018 Whitla D12/196
D823,763 S * 7/2018 Koo D12/196
(Continued)

(**) Term: **15 Years**

FOREIGN PATENT DOCUMENTS

CH 84306 11/2018
DE 402018100744 11/2018
(Continued)

(21) Appl. No.: **29/659,665**

OTHER PUBLICATIONS

(22) Filed: **Aug. 10, 2018**

“Extreme Dimensions Duraflex Replacement for 2005-2007 Chrysler 300.” Amazon.com, published Oct. 22, 2011 (Retrieved from the Internet Dec. 18, 2019). Internet URL: <<https://www.amazon.com/2005-2007-Chrysler-Duraflex-Brizio-Spoiler/dp/B005Y5050G>> (Year: 2011).*

(30) **Foreign Application Priority Data**

Feb. 13, 2018 (EM) 004706786

(Continued)

(51) **LOC (12) Cl.** **12-16**

(52) **U.S. Cl.**
USPC **D12/196**

Primary Examiner — Jack Reickel
Assistant Examiner — Rachel A Voorhies
(74) *Attorney, Agent, or Firm* — Tucker Ellis LLP

(58) **Field of Classification Search**
USPC D12/86, 163–164, 169, 173, 175, 177, D12/184, 196
CPC B60J 11/06; B60R 13/00; B60R 13/10; B62D 25/10; B62D 35/00; B62D 35/007; E05D 5/062

(57) **CLAIM**

The ornamental design for a tailgate for vehicle, as shown and described.

See application file for complete search history.

DESCRIPTION

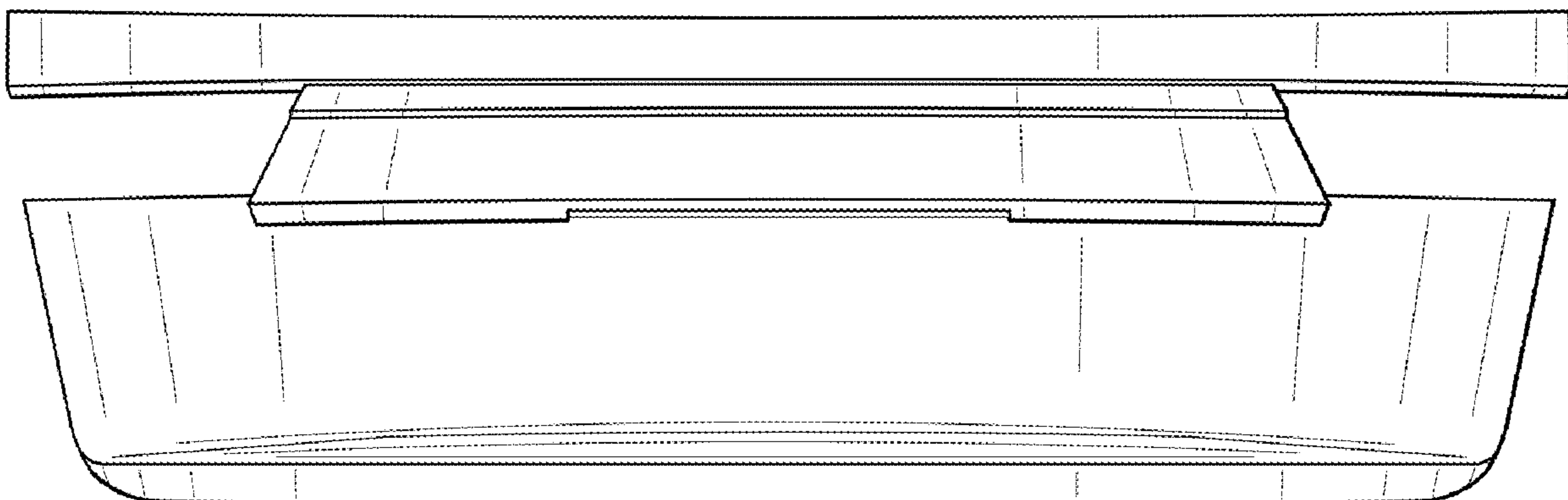
(56) **References Cited**

U.S. PATENT DOCUMENTS

D684,514 S * 6/2013 McCabe D12/196
D698,289 S * 1/2014 Kwon D12/164
D706,181 S * 6/2014 Sakae D12/164
D731,933 S * 6/2015 Beaven D12/164
D731,942 S * 6/2015 Hammoud D12/196
D733,629 S * 7/2015 Rupar D12/196
D767,461 S * 9/2016 Kozub D12/196
D776,580 S * 1/2017 Fukui D12/164
D779,394 S * 2/2017 Suga D12/164

FIG. 1 is a top-front-left perspective view of a tailgate for vehicle showing my new design;
FIG. 2 is a top-front-right perspective view thereof
FIG. 3 is a front view thereof;
FIG. 4 is a rear view thereof;
FIG. 5 is a top view thereof;
FIG. 6 is a bottom view thereof;
FIG. 7 is a right side view thereof; and,
FIG. 8 is a left side view thereof.

1 Claim, 4 Drawing Sheets



(56)

References Cited

U.S. PATENT DOCUMENTS

| | | | |
|-------------------|---------|---------------|--------------------------|
| D835,557 S * | 12/2018 | Whitla | D12/196 |
| D836,029 S | 12/2018 | Leong | |
| D836,030 S | 12/2018 | Razaghi | |
| D844,519 S * | 4/2019 | Razaghi | B60Q 1/2661 D12/196 |
| D856,242 S * | 8/2019 | Blanski | B62D 35/007 D12/196 |
| D862,339 S * | 10/2019 | Kezha | B60Q 1/56 D12/196 |
| 2015/0217491 A1 * | 8/2015 | Syvret | B62D 35/007 296/180.1 |
| 2018/0154746 A1 * | 6/2018 | Lee | B29C 65/02 |
| 2019/0118704 A1 * | 4/2019 | Stein | B60Q 1/2661 |

FOREIGN PATENT DOCUMENTS

| | | |
|----|----------------|--------|
| EM | DM/089954 | 2/2018 |
| EM | DM/092114 | 2/2018 |
| EM | 003816255-0001 | 5/2018 |
| EM | 003816255-0002 | 5/2018 |
| EM | 003816255-0003 | 5/2018 |
| EM | 003816255-0004 | 5/2018 |
| EM | 003816255-0005 | 5/2018 |

| | | |
|----|-----------------|---------|
| EM | 003816255-0006 | 5/2018 |
| EM | 003816255-0007 | 5/2018 |
| EM | 003816255-0008 | 5/2018 |
| EM | 003816255-0009 | 5/2018 |
| EM | 003816255-00010 | 5/2018 |
| EM | 003816255-00011 | 5/2018 |
| EM | 003816255-00012 | 5/2018 |
| EM | 003816255-00013 | 5/2018 |
| EM | 003816255-00014 | 5/2018 |
| EM | 003816255-00015 | 5/2018 |
| EM | 003816255-00016 | 5/2018 |
| EM | 003816255-00017 | 5/2018 |
| EM | 003816255-00018 | 5/2018 |
| EM | 003816255-00019 | 5/2018 |
| EM | 003816255-00020 | 5/2018 |
| EM | 003816255-00021 | 5/2018 |
| EM | 004707552-0001 | 10/2018 |

OTHER PUBLICATIONS

Duff, Mike. "The missing Lynk: can Geely's SUV crack Europe?" Autocar, published Dec. 23, 2017 (Retrieved from the Internet Dec. 18, 2019). Internet URL: <<https://www.autocar.co.uk/car-news/industry/missing-lynk-can-geelys-suv-crack-europe>> (Year: 2017).*

* cited by examiner

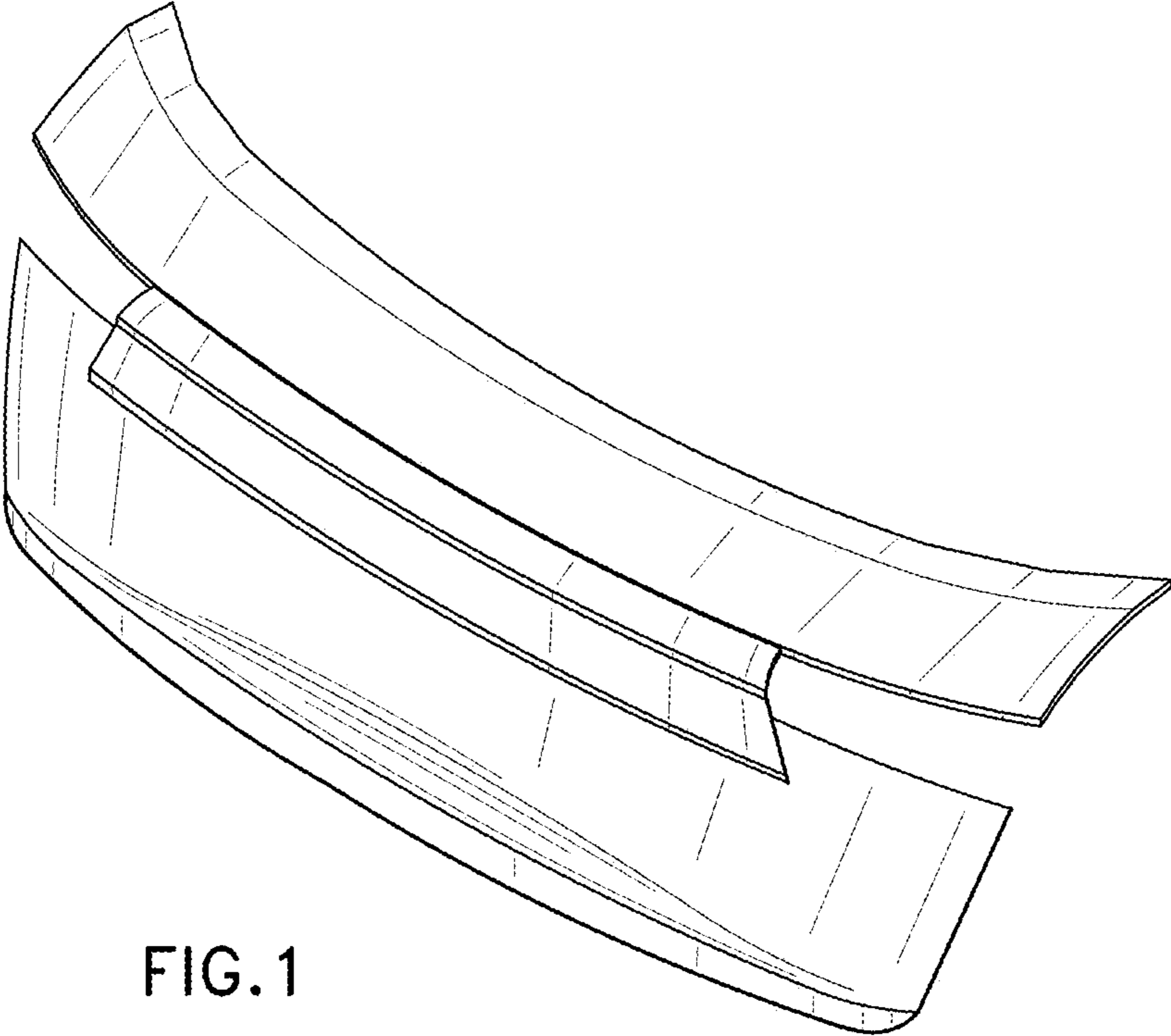


FIG. 1

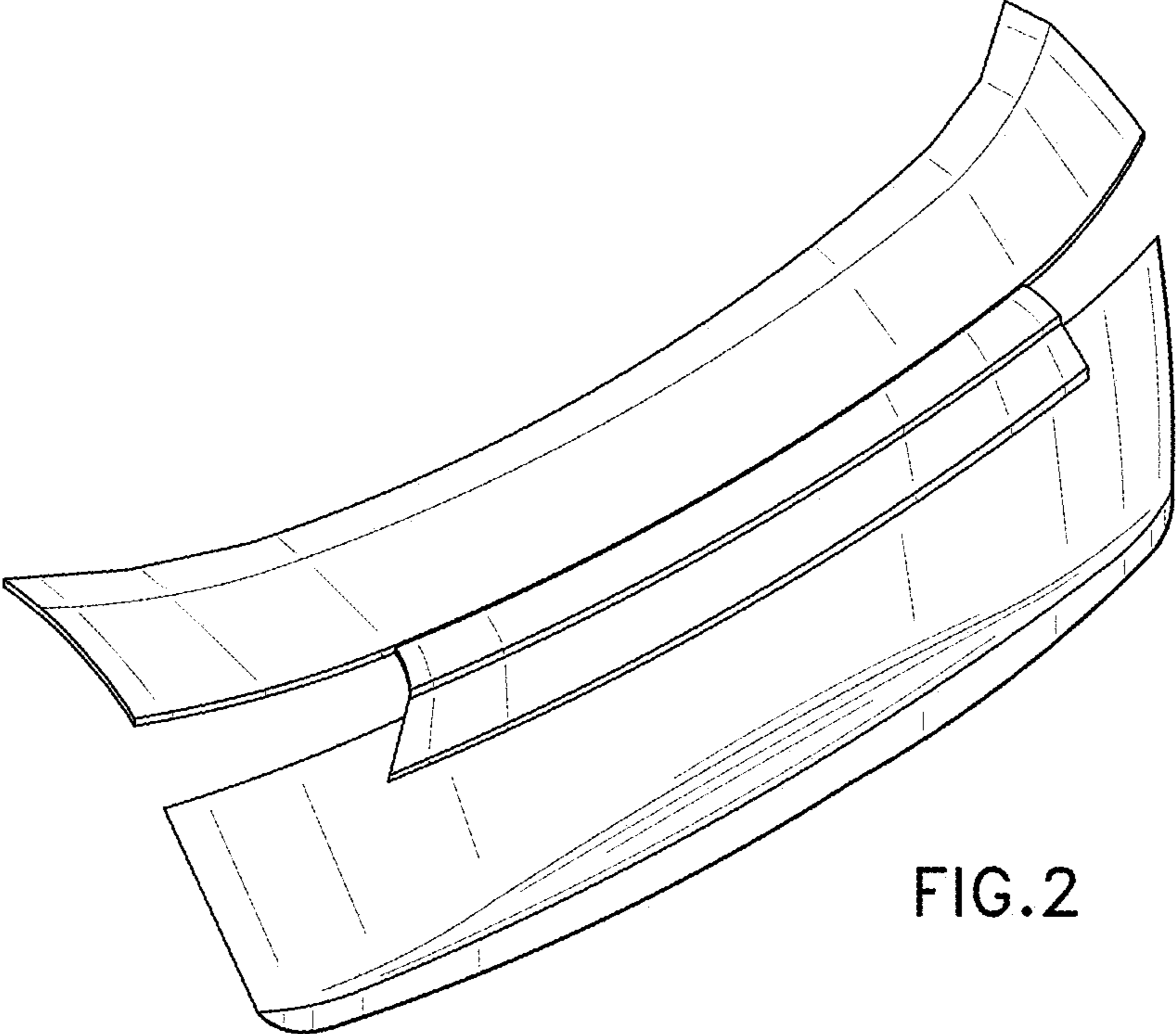


FIG. 2

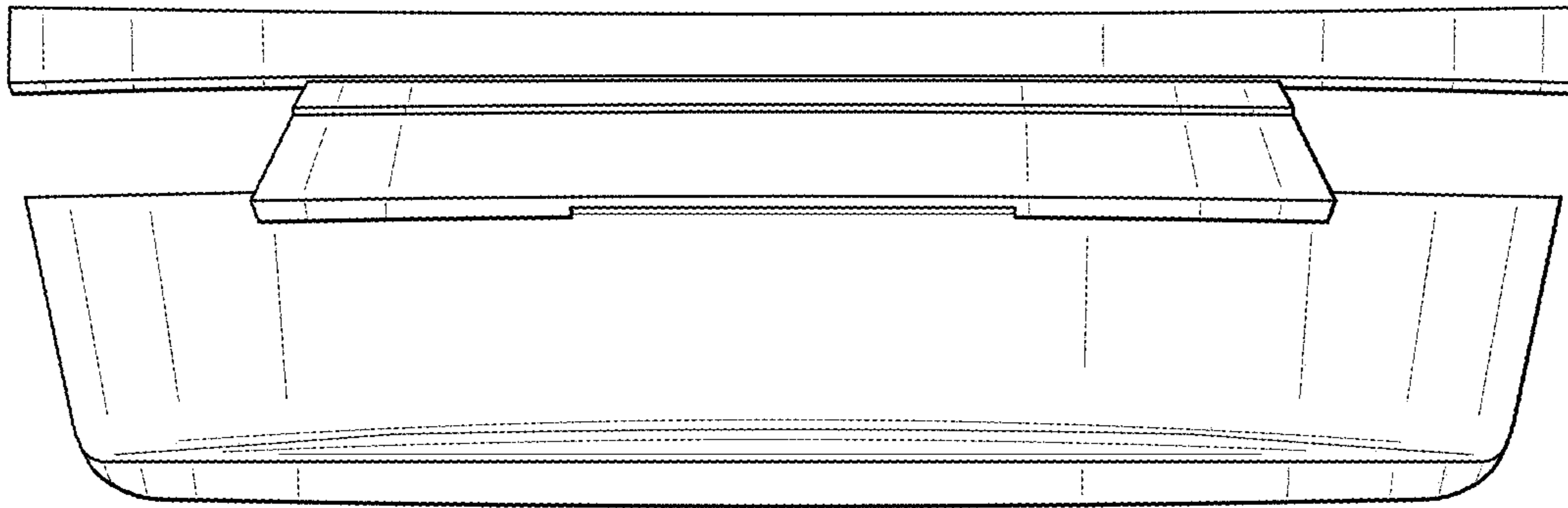


FIG. 3

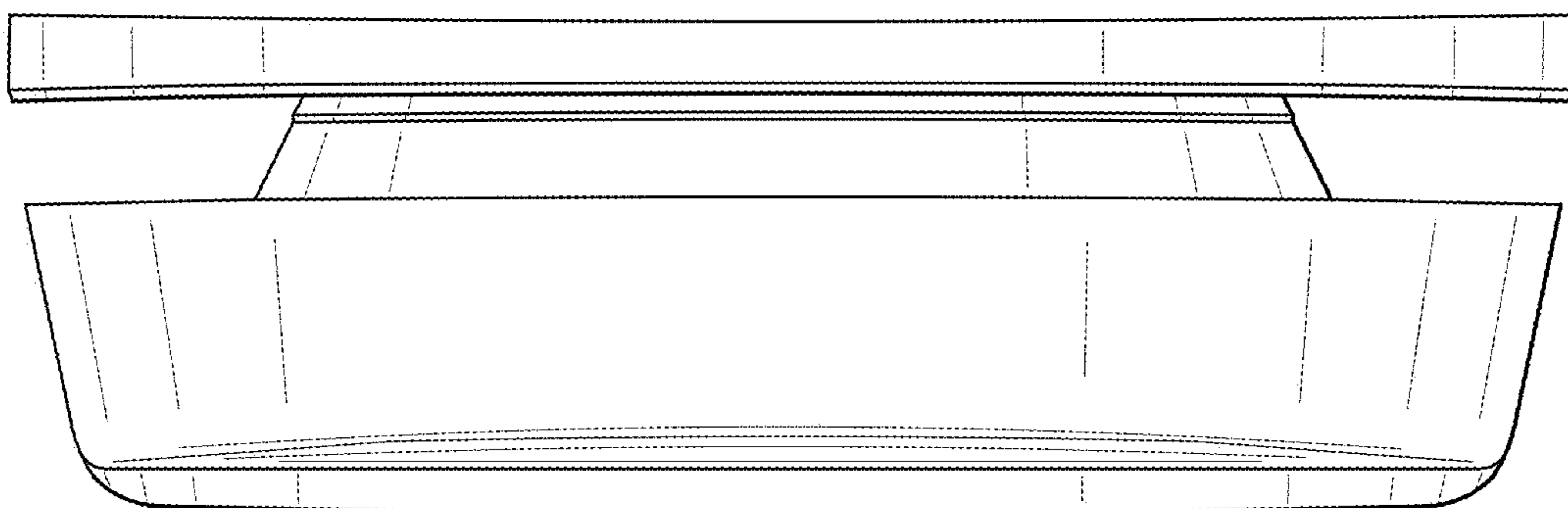


FIG. 4

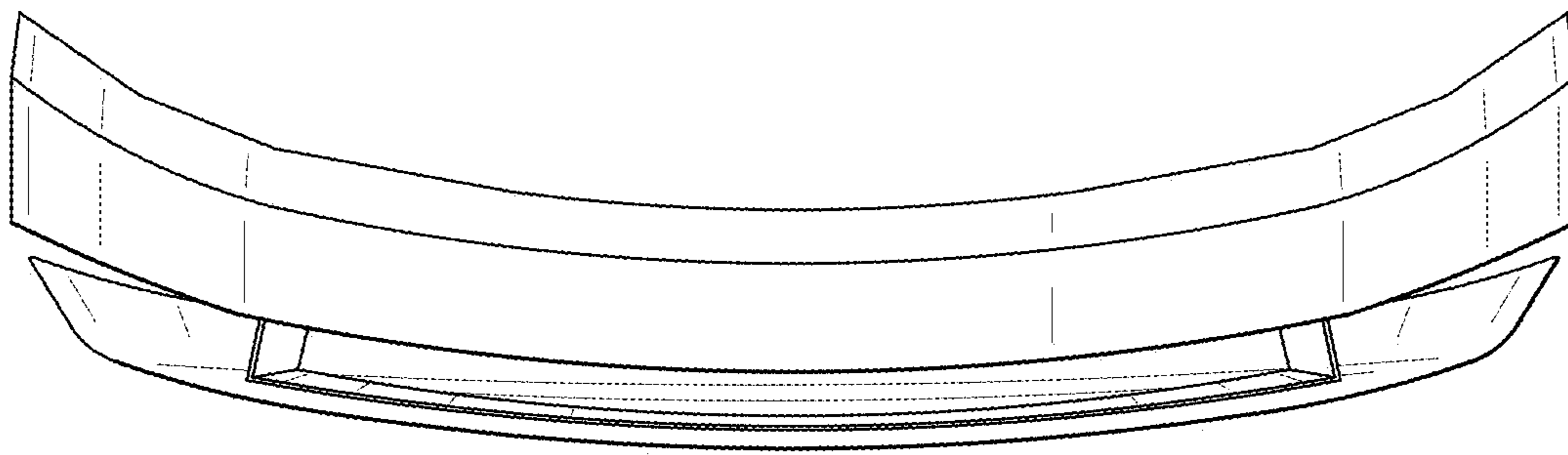


FIG. 5

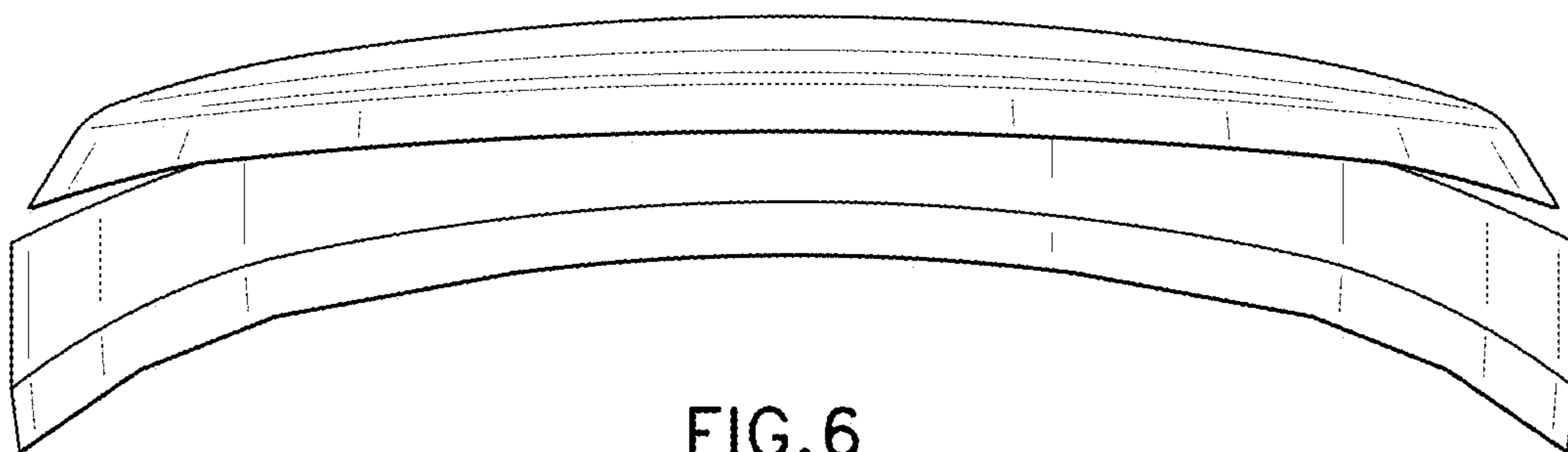


FIG. 6

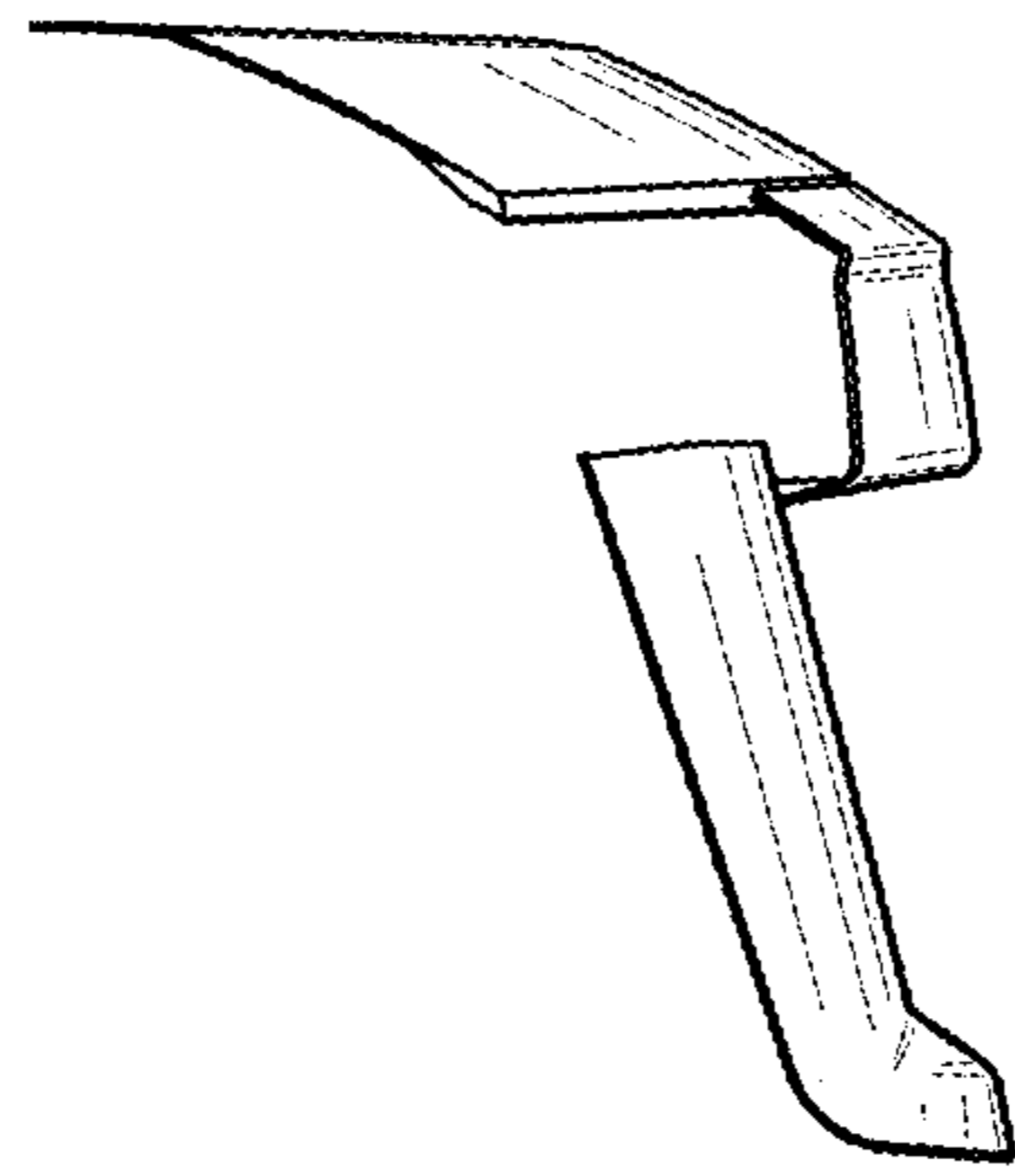


FIG. 7

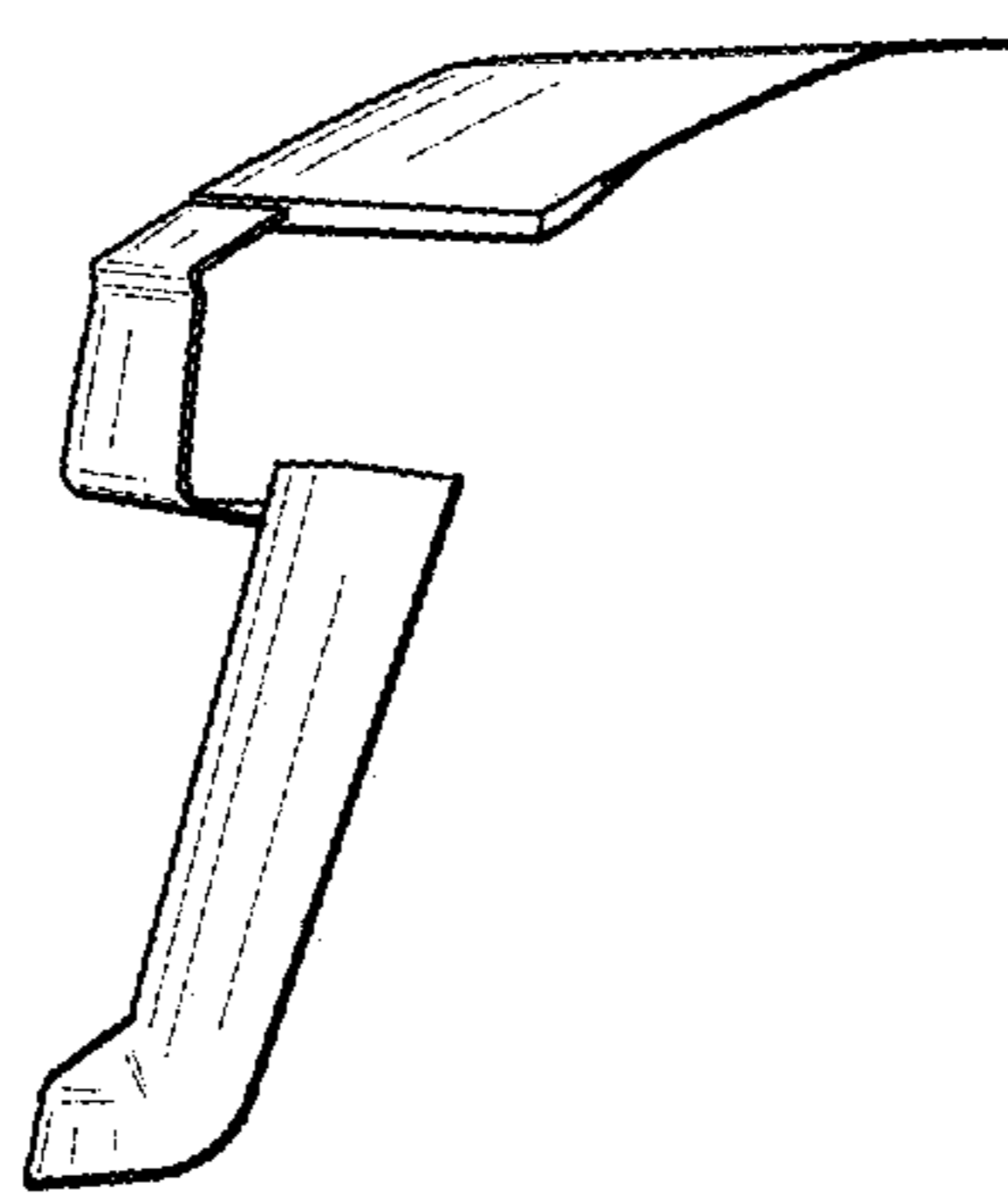


FIG. 8