



US00D903558S

(12) **United States Design Patent** (10) **Patent No.:** **US D903,558 S**
Canepa et al. (45) **Date of Patent:** **** Dec. 1, 2020**

(54) **FAIRING FOR MOTORCYCLES**
(71) Applicant: **PIAGGIO & C. S.P.A.**, Pontedera (IT)
(72) Inventors: **Marco Canepa**, Pontedera (IT); **Marco Lambri**, Pontedera (IT)
(73) Assignee: **PIAGGIO & C. S.P.A.**, Pontedera (IT)
(**) Term: **15 Years**
(21) Appl. No.: **35/507,585**
(22) Filed: **Apr. 4, 2019**
(80) **Hague Agreement Data**
Int. Filing Date: **Apr. 4, 2019**
Int. Reg. No.: **DM/203534**
Int. Reg. Date: **Apr. 4, 2019**
Int. Reg. Pub. Date: **Nov. 1, 2019**

(30) **Foreign Application Priority Data**
Oct. 16, 2018 (EM) 005799186
(51) **LOC (12) Cl.** **12-16**
(52) **U.S. Cl.**
USPC **D12/186**
(58) **Field of Classification Search**
USPC D12/110, 111, 114, 126, 184-186
CPC B62J 15/00; B62J 23/00
See application file for complete search history.

(56) **References Cited**
U.S. PATENT DOCUMENTS
D242,913 S * 1/1977 Petty D12/186
D279,974 S * 8/1985 Komori D12/186
D383,106 S * 9/1997 Rice D12/186
D409,539 S * 5/1999 Hanlon D12/186
D409,964 S * 5/1999 Hanlon D12/186
6,557,876 B2 * 5/2003 Saiki B62J 15/02
280/152.1

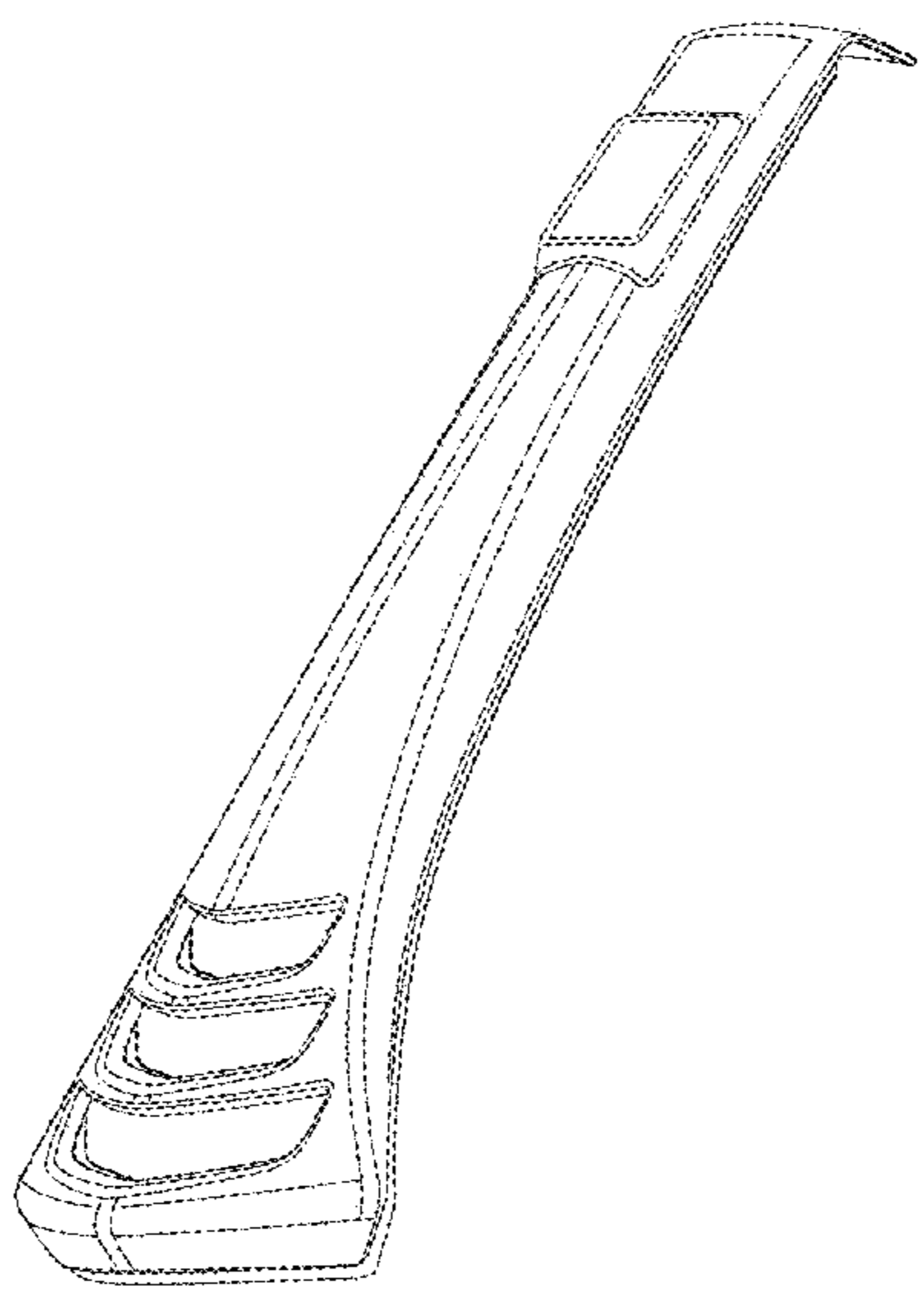
D482,304 S * 11/2003 Song D12/186
D496,614 S * 9/2004 Everitt D12/186
D499,994 S * 12/2004 Sugimoto D12/186
D551,142 S * 9/2007 Simpson D12/186
D581,845 S * 12/2008 Longpre D12/107
D594,392 S * 6/2009 Nishihara D12/186
D617,703 S * 6/2010 Ilmberger D12/186
D627,283 S * 11/2010 Ilmberger D12/186
D635,496 S * 4/2011 Serbinski D12/186
8,191,912 B2 * 6/2012 Serbinski B62J 15/04
280/152.1
D694,686 S * 12/2013 Deluy D12/186
D787,396 S * 5/2017 Serbinski D12/184

* cited by examiner
Primary Examiner — Darlington Ly
(74) *Attorney, Agent, or Firm* — Cantor Colburn LLP

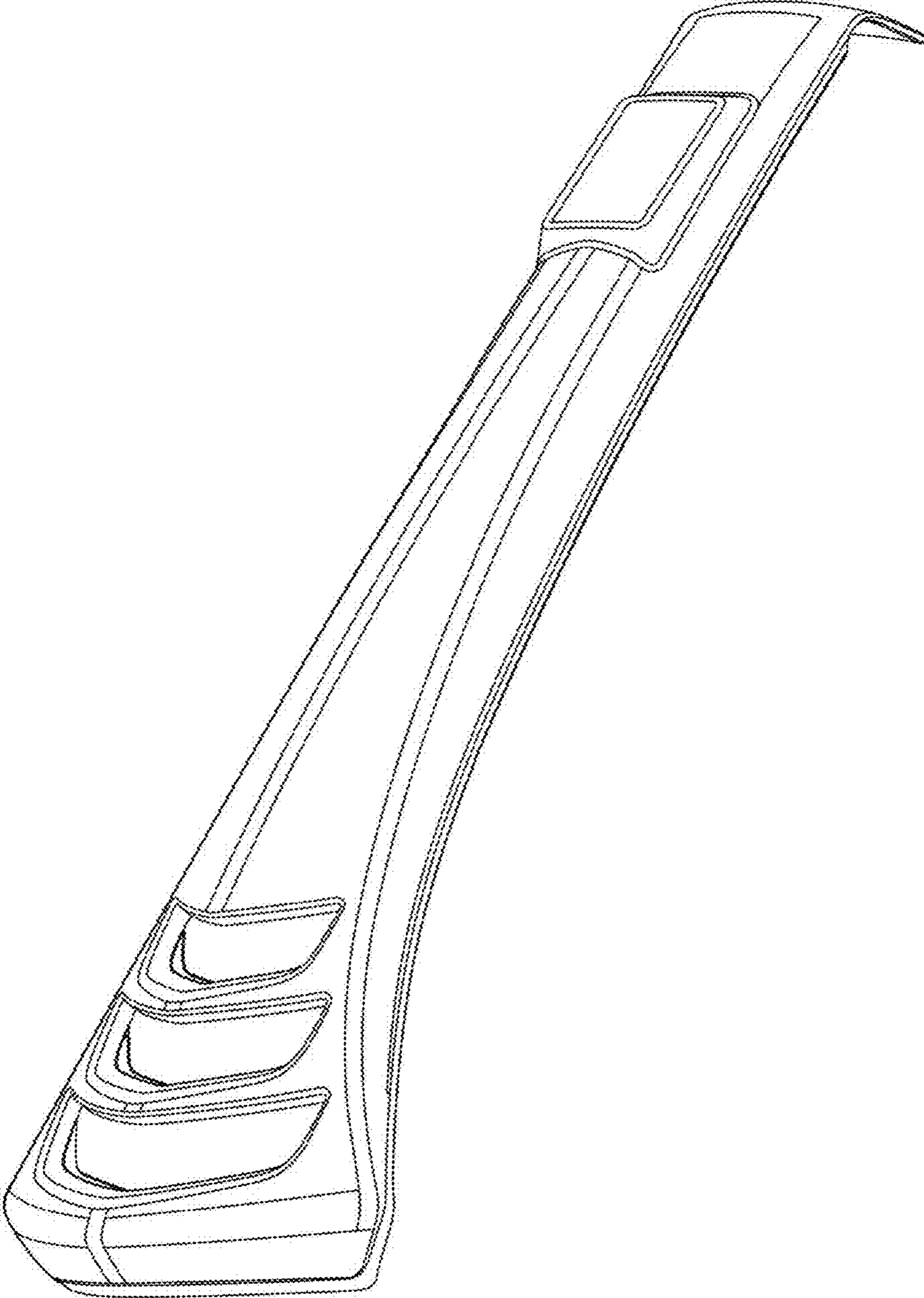
(57) **CLAIM**
The ornamental design for a fairing for motorcycles, as shown and described.

DESCRIPTION
1.-2. Fairing for motorcycles
1.1 is a front perspective view of a fairing for motorcycles showing our new design in accordance to a first embodiment;
1.2 is a front elevation view thereof;
1.3 is a left side elevation view thereof;
1.4 is a right side elevation view thereof; and
1.5 is a top plan view thereof.
2.1 is a front perspective view of a fairing for motorcycles showing our new design in accordance to a second embodiment;
2.2 is a front elevation view thereof;
2.3 is a left side elevation view thereof;
2.4 is a right side elevation view thereof; and
2.5 is a top plan view thereof.
The broken lines in the reproductions illustrate portions of the fairing for motorcycles that form no part of the claimed design.

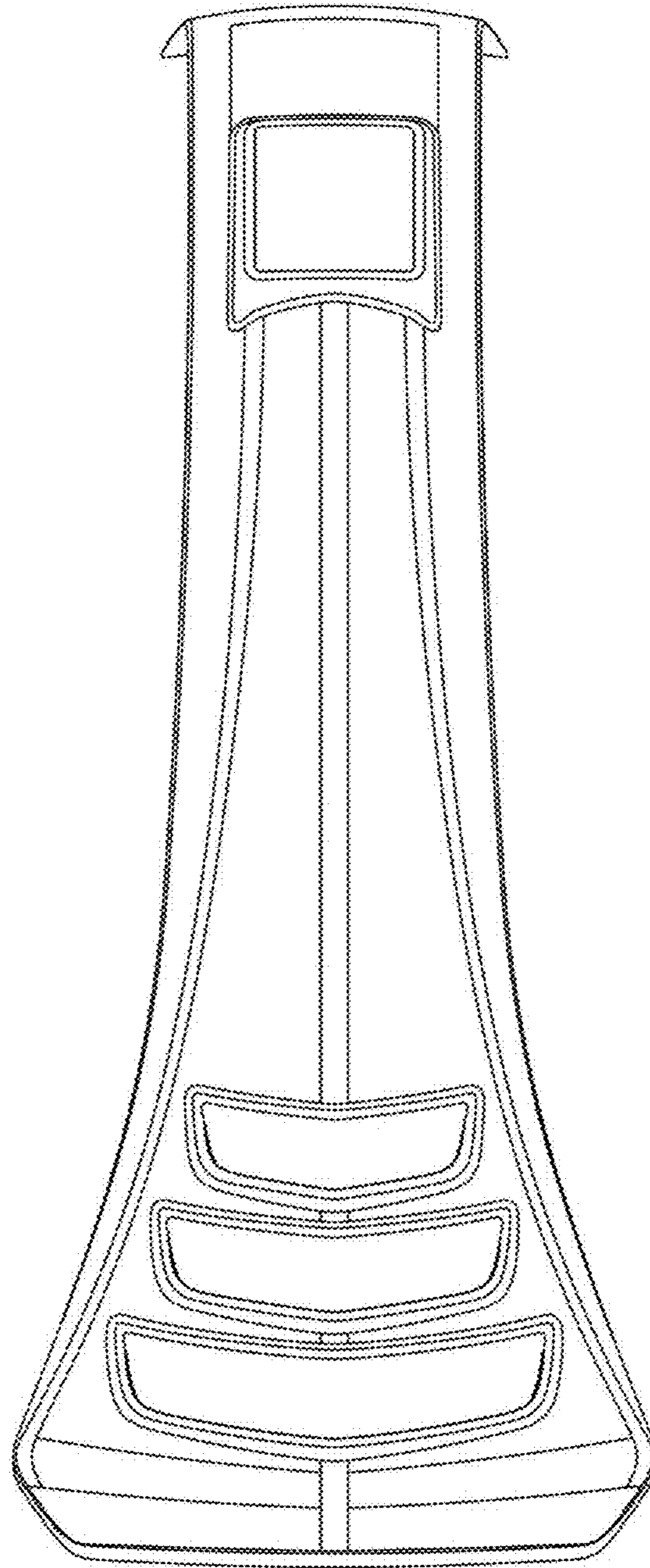
1 Claim, 10 Drawing Sheets



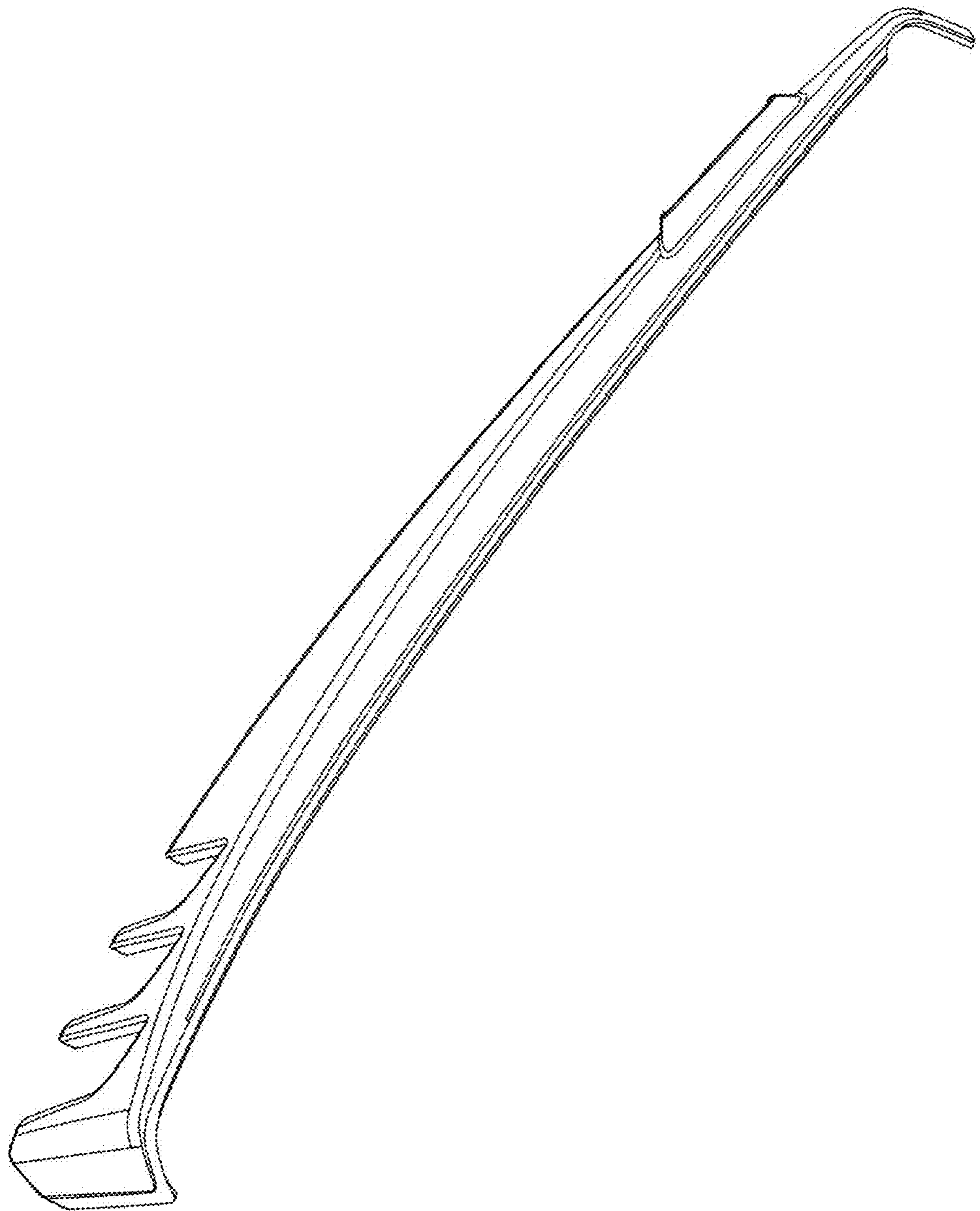
1.1



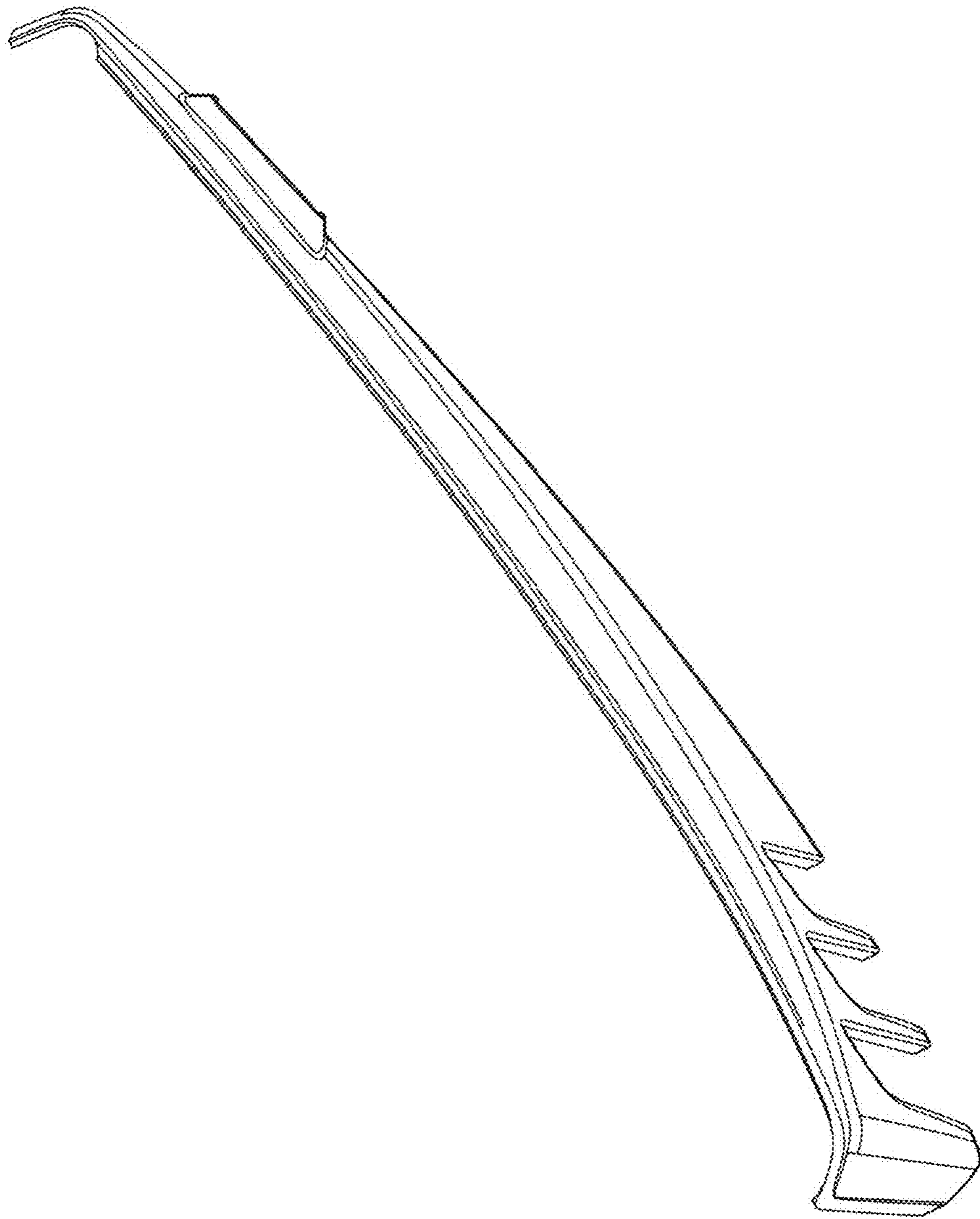
1.2



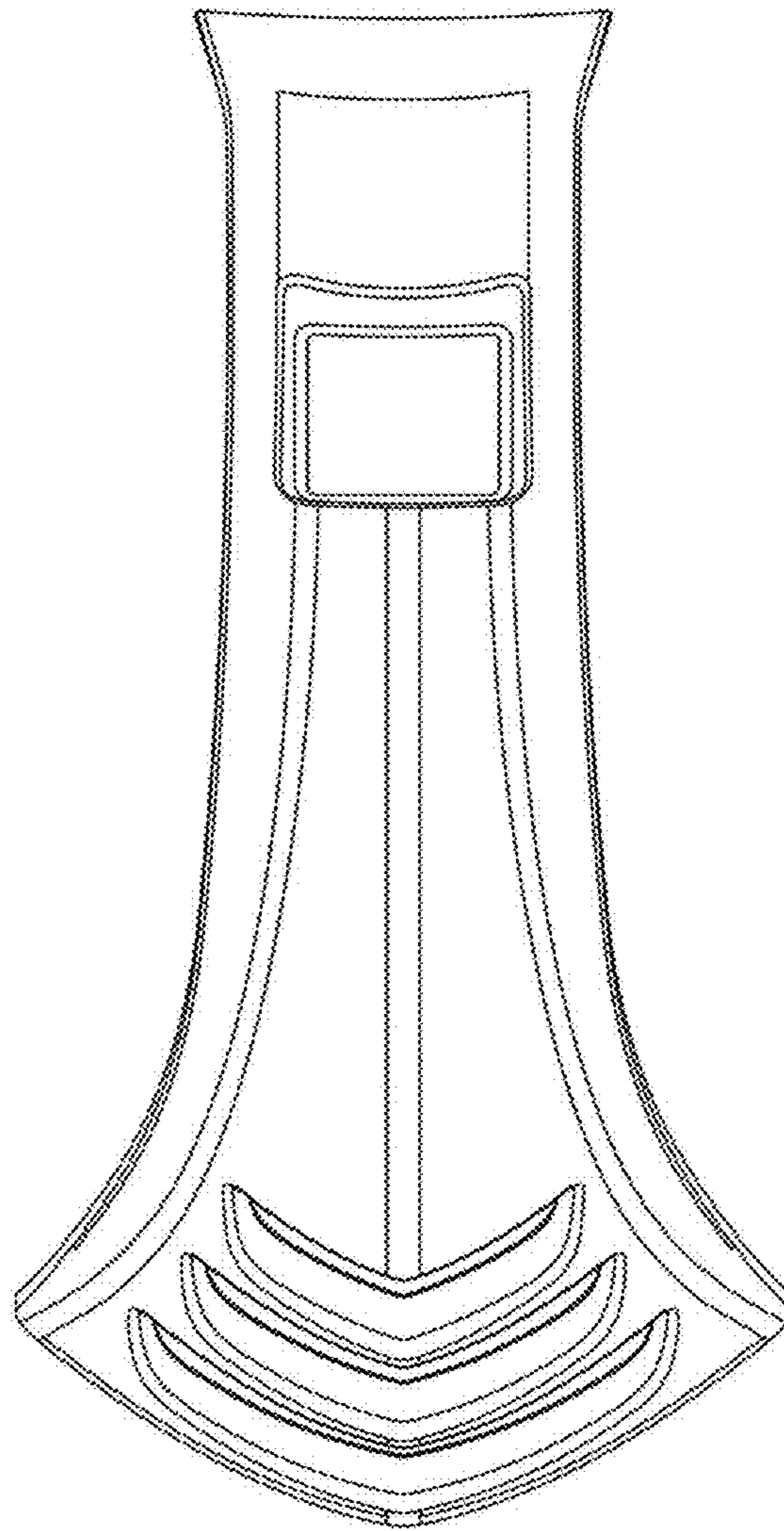
1.3



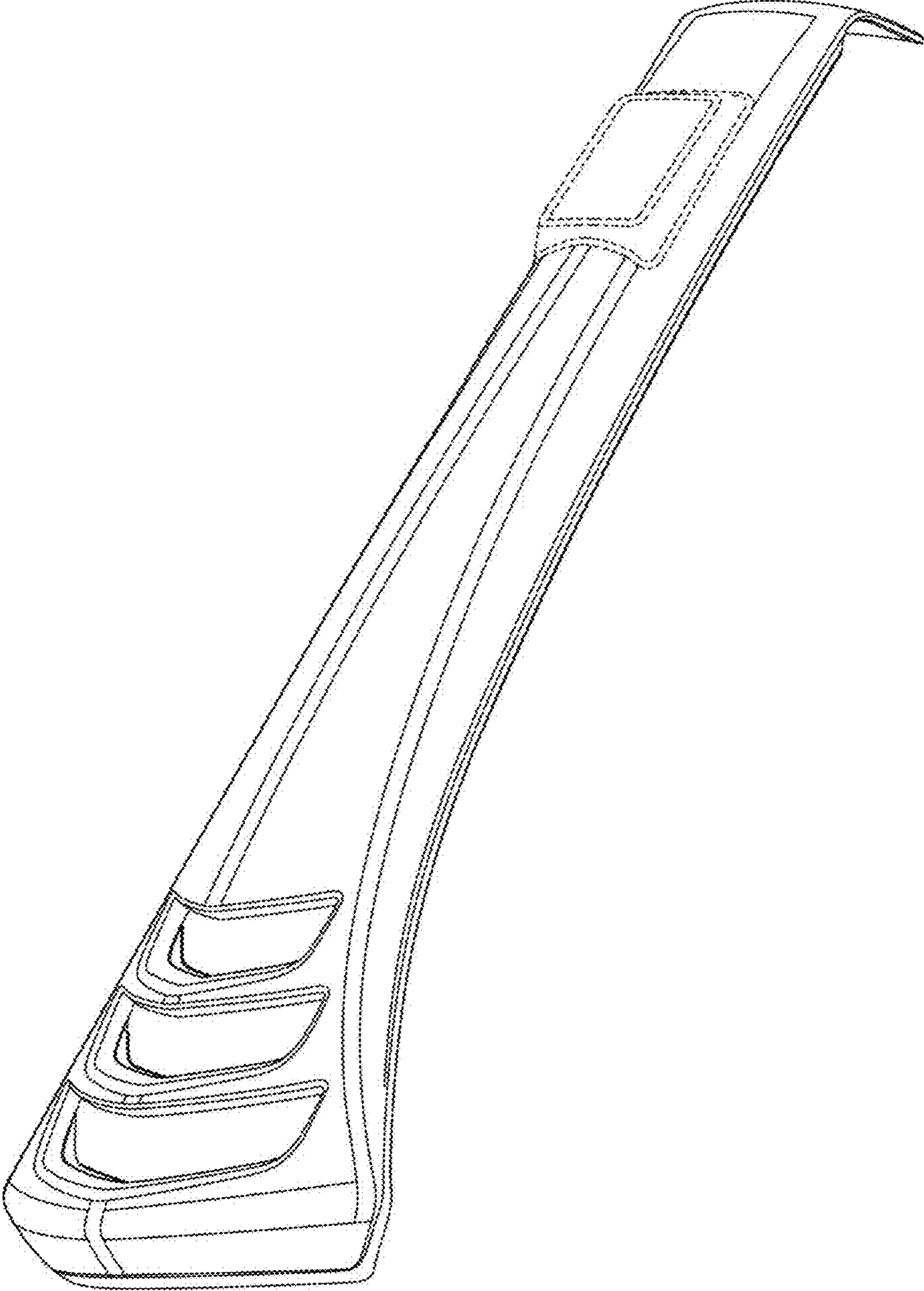
1.4



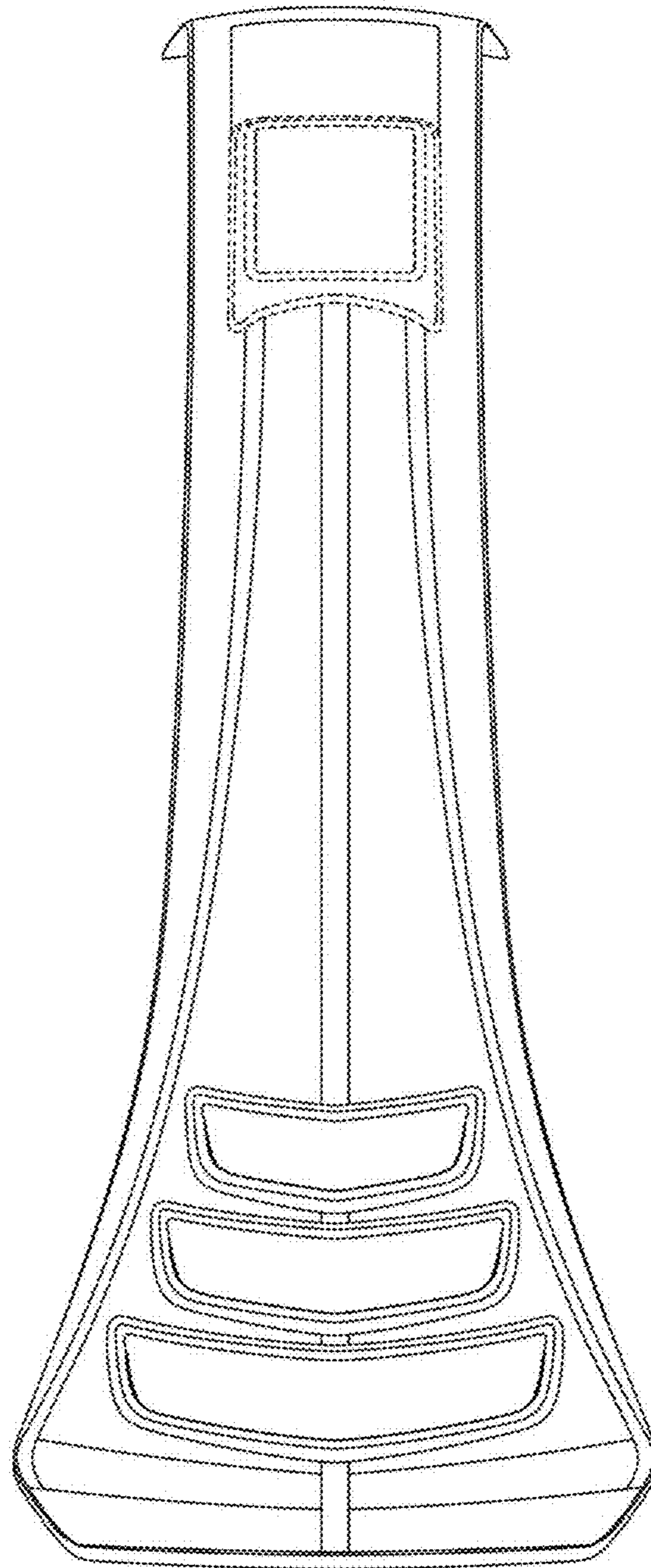
1.5



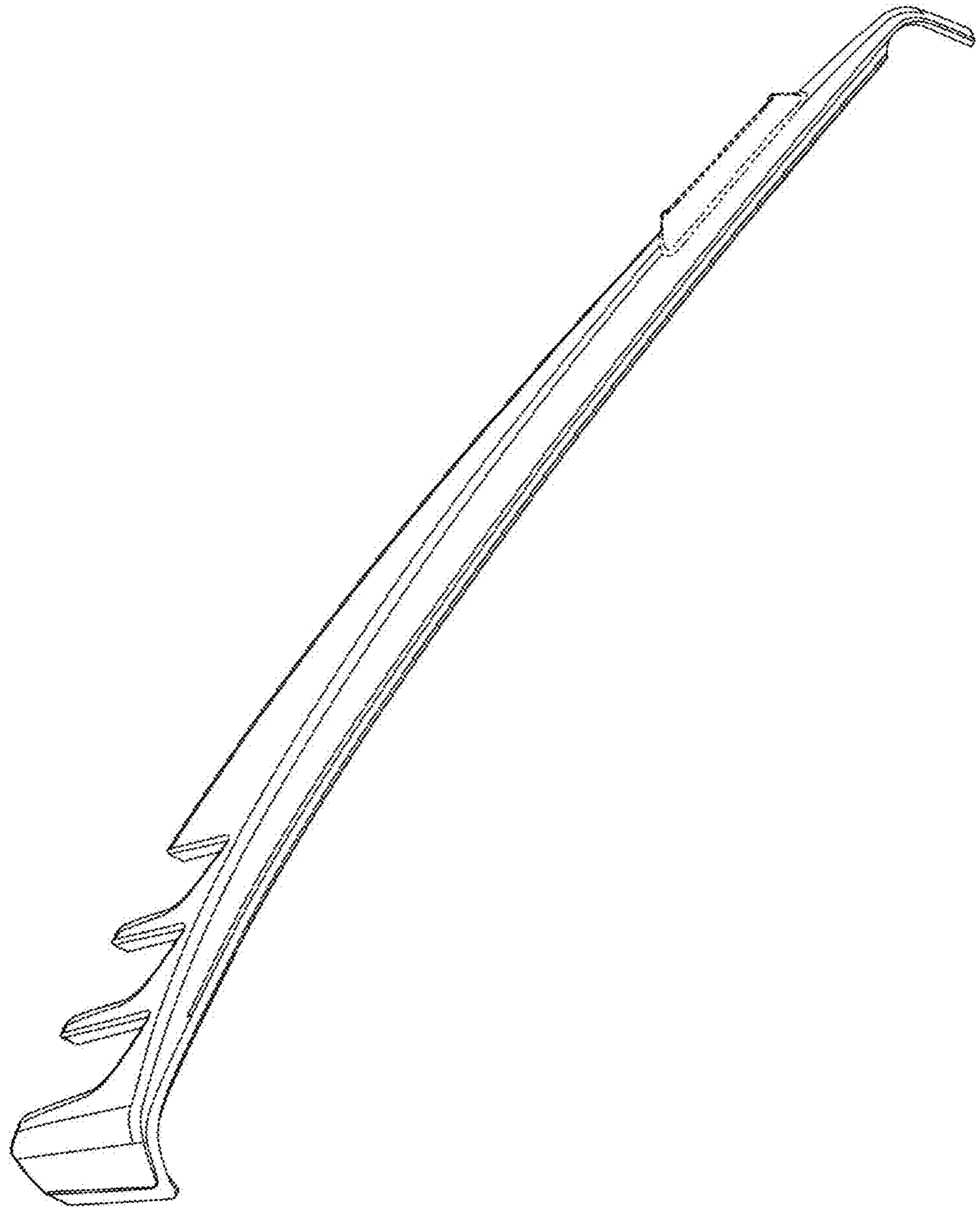
2.1



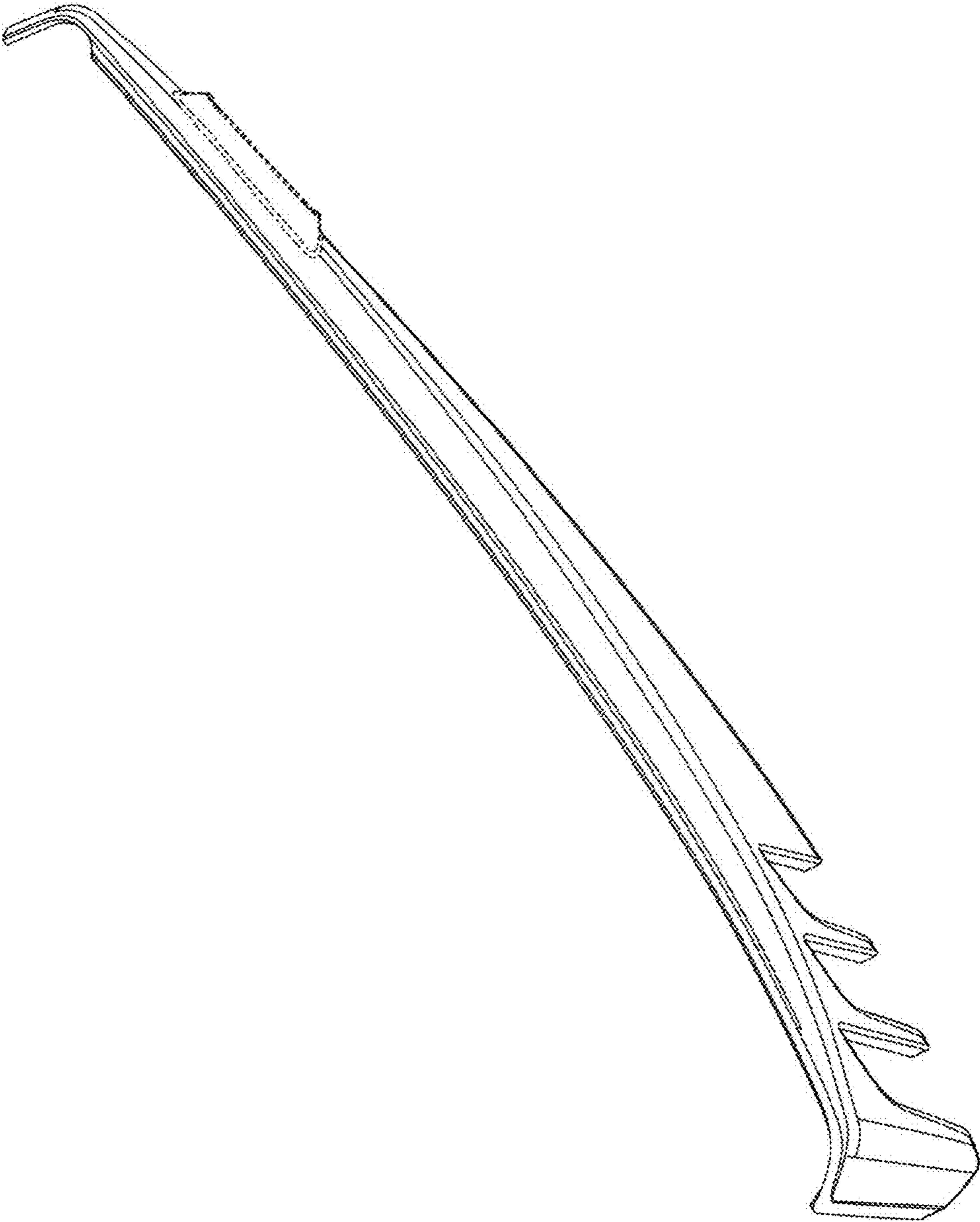
2.2



2.3



2.4



2.5

