



US00D903557S

(12) **United States Design Patent** (10) **Patent No.:** **US D903,557 S**  
**Pereira et al.** (45) **Date of Patent:** **\*\* Dec. 1, 2020**

(54) **FAIRING WITH FLOW CHANNELS**

D343,819 S 2/1994 Meryman et al.  
D374,418 S \* 10/1996 Griffin ..... D12/181  
D384,317 S 9/1997 Jahnke  
D411,142 S 6/1999 Sacco et al.  
D412,463 S 8/1999 Sacco et al.  
D421,412 S 3/2000 Sutton et al.  
D424,489 S 5/2000 Damon et al.  
D434,347 S 11/2000 Damon et al.  
D465,749 S 11/2002 Beigel et al.  
D475,657 S 6/2003 Wong et al.

(71) Applicant: **SABIC Global Technologies B.V.**,  
Bergen Op Zoom (NL)

(72) Inventors: **Carlos Pereira**, Selkirk, NY (US); **Max Ulysses Morton**, Averill Park, NY (US); **Matthew Douglas Marks**, White Lake, MI (US)

(73) Assignee: **SABIC Global Technologies B.V.**,  
Bergen op Zoom (NL)

(\*\*) Term: **15 Years**

(21) Appl. No.: **29/675,584**

(22) Filed: **Jan. 3, 2019**

**Related U.S. Application Data**

(62) Division of application No. 29/579,080, filed on Sep. 27, 2016, now Pat. No. Des. 886,010.

(51) **LOC (12) Cl.** ..... **12-16**

(52) **U.S. Cl.**  
USPC ..... **D12/181**

(58) **Field of Classification Search**  
USPC ..... D12/88, 92, 190, 400, 196, 191, 401, D12/181, 96  
CPC ..... B62D 25/10; B62D 25/16; B62D 25/168; B62D 35/005; B62D 35/007; B62D 35/00; B62D 35/001; B60R 9/05; B60R 13/02; B60R 13/04  
See application file for complete search history.

(56) **References Cited**

**U.S. PATENT DOCUMENTS**

4,343,506 A 8/1982 Saltzman et al.  
D296,775 S 7/1988 Hatch et al.  
D313,966 S 1/1991 Marlowe et al.  
D314,163 S 1/1991 Harris et al.  
D339,314 S 9/1993 Moar

**FOREIGN PATENT DOCUMENTS**

JP S5739881 U 3/1982  
JP S5795264 A 6/1982

(Continued)

**OTHER PUBLICATIONS**

D. Lockney, "Aerodynamics Research Revolutionizes Truck Design," Nasa Spinoff Technology Transfer Program, pp. 1-4, [https://spinoffnasa.gov/Spinoff2008\\_3.html](https://spinoffnasa.gov/Spinoff2008_3.html).

*Primary Examiner* — Susan E Krakower

*Assistant Examiner* — Jerry Shiuian-Hua Hsu

(74) *Attorney, Agent, or Firm* — BakerHostetler

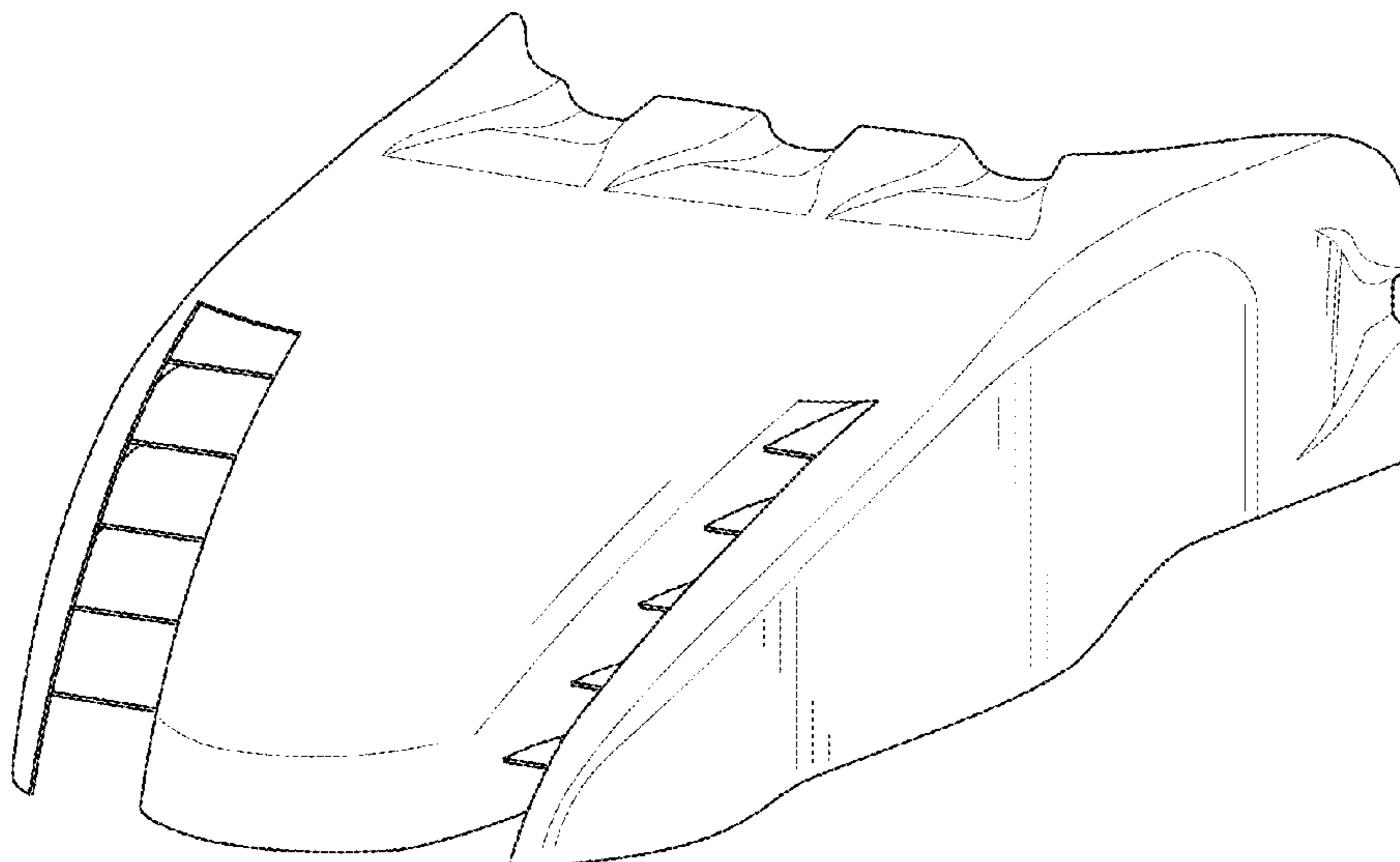
(57) **CLAIM**

The ornamental design for a fairing with flow channels, as shown and described.

**DESCRIPTION**

FIG. 1 is a top, front, left perspective view of a fairing with flow channels according to our new design; FIG. 2 is a left side elevation view thereof; FIG. 3 is a right side elevation view thereof; FIG. 4 is a front elevation view thereof; FIG. 5 is a rear elevation view thereof; FIG. 6 is a top plan view thereof; and, FIG. 7 is a bottom plan view thereof.

**1 Claim, 4 Drawing Sheets**



(56)

References Cited

U.S. PATENT DOCUMENTS

6,634,700 B1 \* 10/2003 Calvert ..... B62D 35/00  
 296/180.1  
 D522,425 S \* 6/2006 Beigel ..... D12/196  
 D525,182 S \* 7/2006 Beigel ..... D12/181  
 D525,567 S 7/2006 Beigel et al.  
 D535,597 S 1/2007 Herpel  
 D589,420 S 3/2009 Raghavendran et al.  
 D613,224 S 4/2010 Beigel et al.  
 D620,411 S 7/2010 Biegel et al.  
 D620,412 S \* 7/2010 Beigel ..... D12/196  
 D623,092 S 9/2010 Beigel et al.  
 D633,015 S 2/2011 Peltola et al.  
 D651,136 S \* 12/2011 Stimel, Jr. .... D12/96  
 D657,717 S 4/2012 Stimel, Jr.  
 D666,541 S 9/2012 Stimel, Jr.  
 D686,123 S 7/2013 Peltola et al.  
 D687,359 S 8/2013 Peltola et al.  
 D699,648 S 2/2014 Sancer et al.  
 D703,105 S 4/2014 Riggs et al.  
 D707,605 S 6/2014 Duncan et al.  
 D709,007 S 7/2014 Henry et al.  
 D709,008 S 7/2014 Brzustowicz et al.  
 D709,009 S 7/2014 Brzustowicz et al.  
 D710,773 S 8/2014 Ito et al.

D752,488 S 3/2016 Peltola et al.  
 D760,633 S 7/2016 Peltola et al.  
 D766,793 S 9/2016 Brzustowicz et al.  
 D780,648 S 3/2017 Pereira et al.  
 9,682,735 B2 \* 6/2017 Bacon ..... B62D 35/001  
 D813,772 S \* 3/2018 Anderson ..... D12/196  
 D814,376 S 4/2018 Anderson et al.  
 D818,909 S \* 5/2018 Yates ..... D12/181  
 D820,749 S 6/2018 Schellekens et al.  
 D825,391 S 8/2018 Von Holzhausen et al.  
 10,214,252 B2 \* 2/2019 Schellekens ..... B62D 35/001  
 D859,217 S \* 9/2019 Von Holzhausen ..... D12/96  
 D862,330 S \* 10/2019 Schellekens ..... D12/181  
 10,518,825 B2 \* 12/2019 Pereira ..... B62D 35/001  
 2011/0148142 A1 6/2011 Kint  
 2014/0265433 A1 9/2014 Fritts  
 2018/0001943 A1 1/2018 Schellekens et al.

FOREIGN PATENT DOCUMENTS

JP 2001-334962 A 12/2001  
 WO WO 2015/052655 A1 4/2015  
 WO WO 2016/001860 A1 1/2016  
 WO WO 2016/077669 A1 5/2016  
 WO WO 2016/098024 A1 6/2016  
 WO WO 2018/064197 A1 4/2018

\* cited by examiner

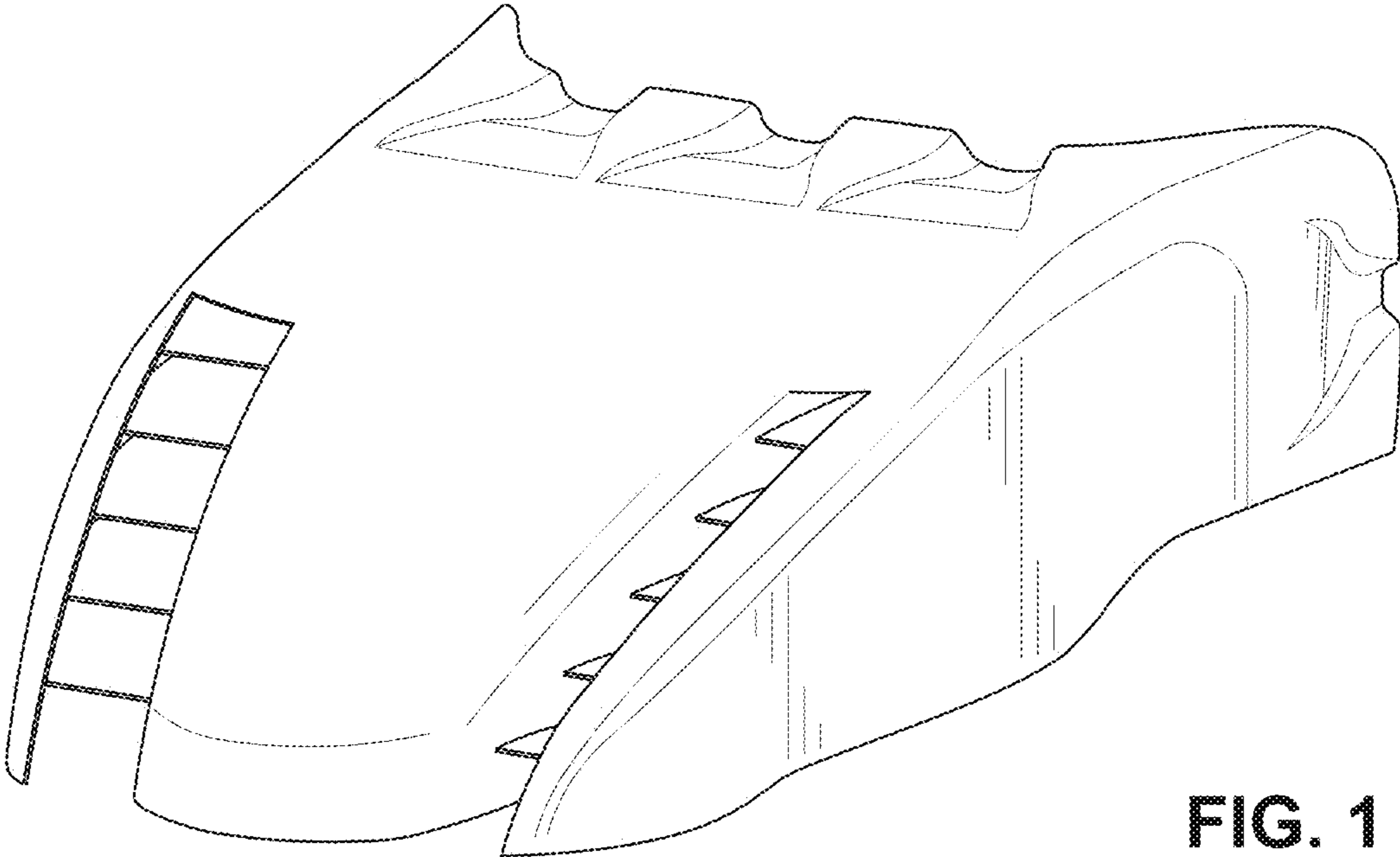


FIG. 1

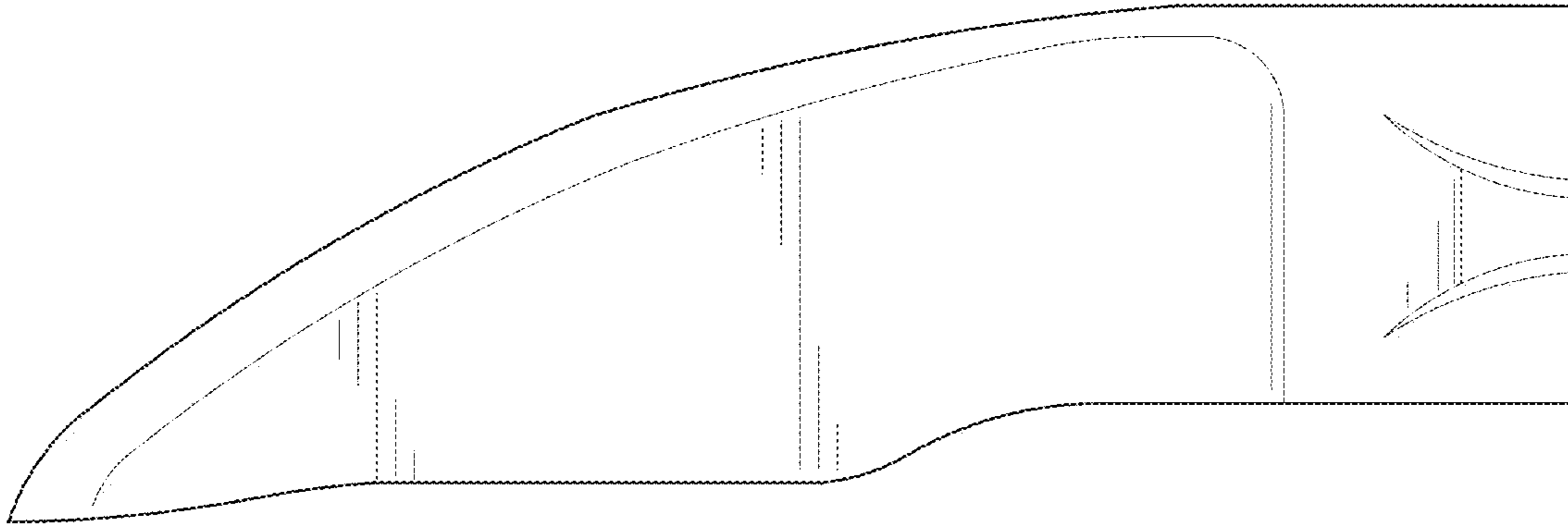


FIG. 2

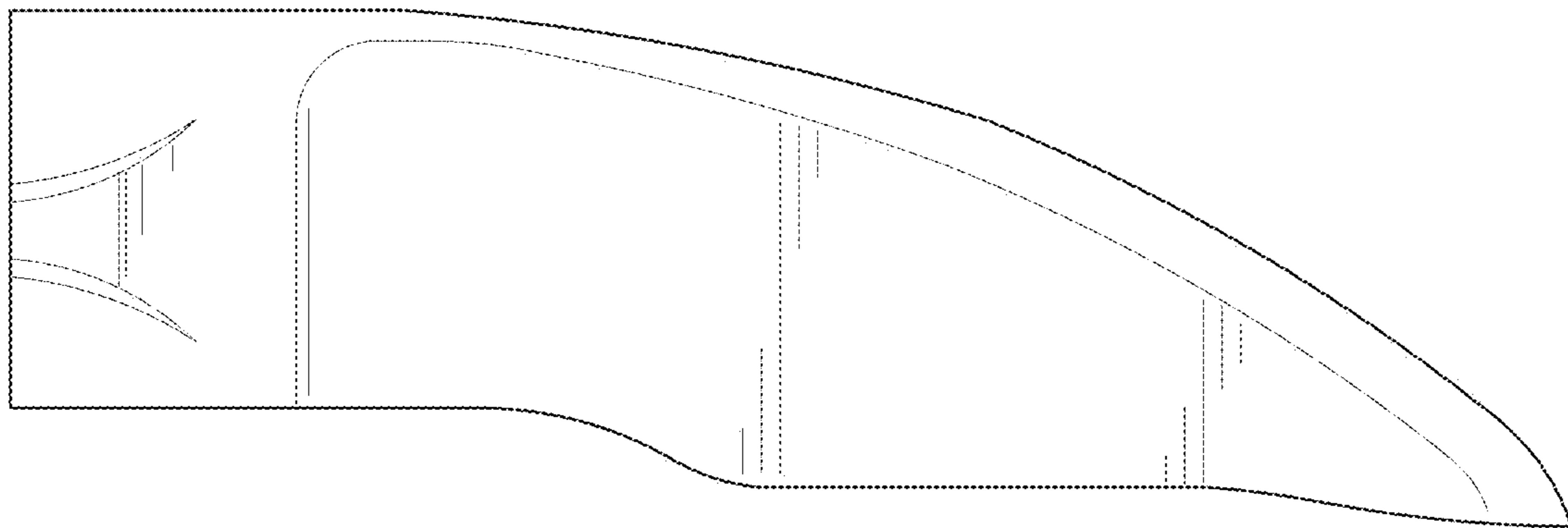
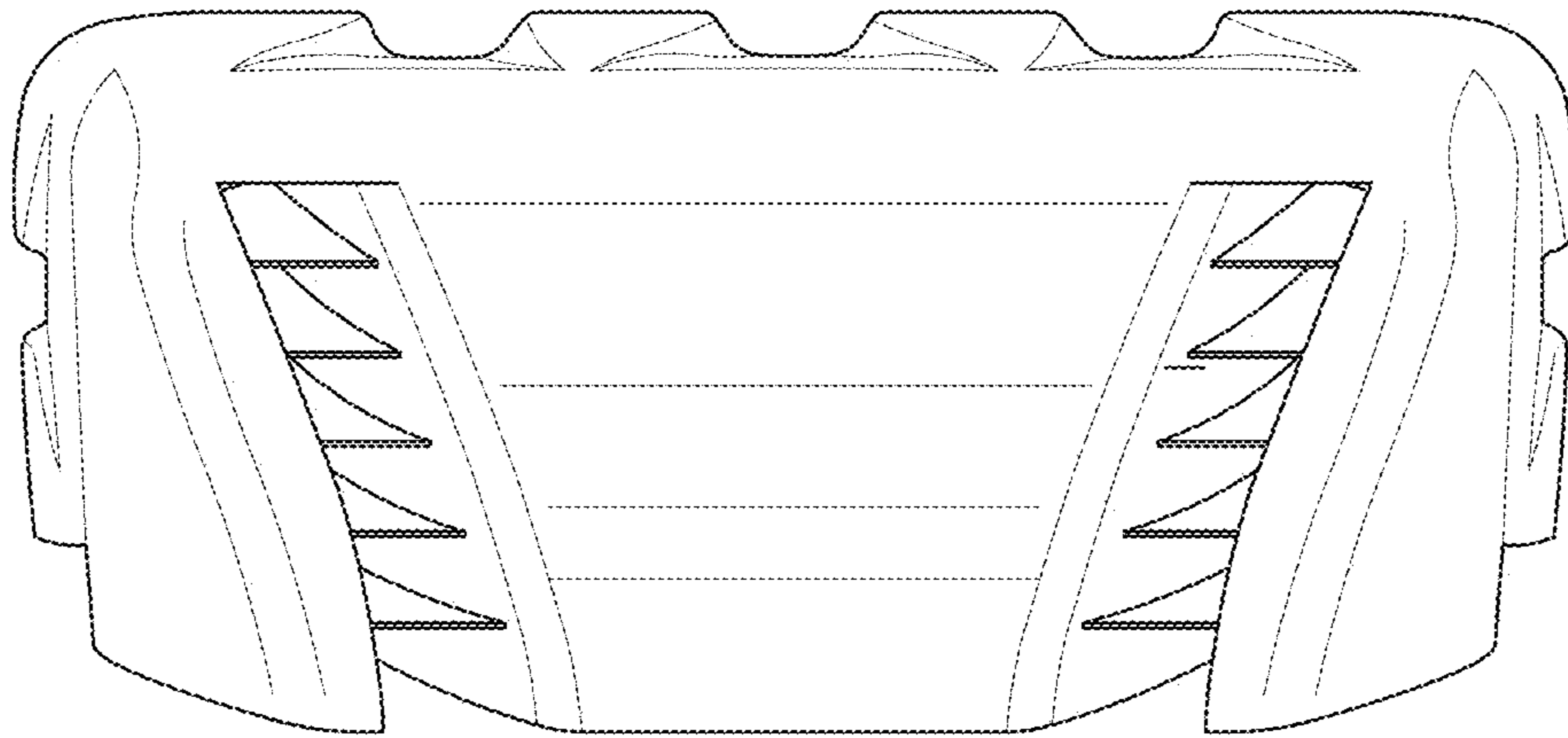
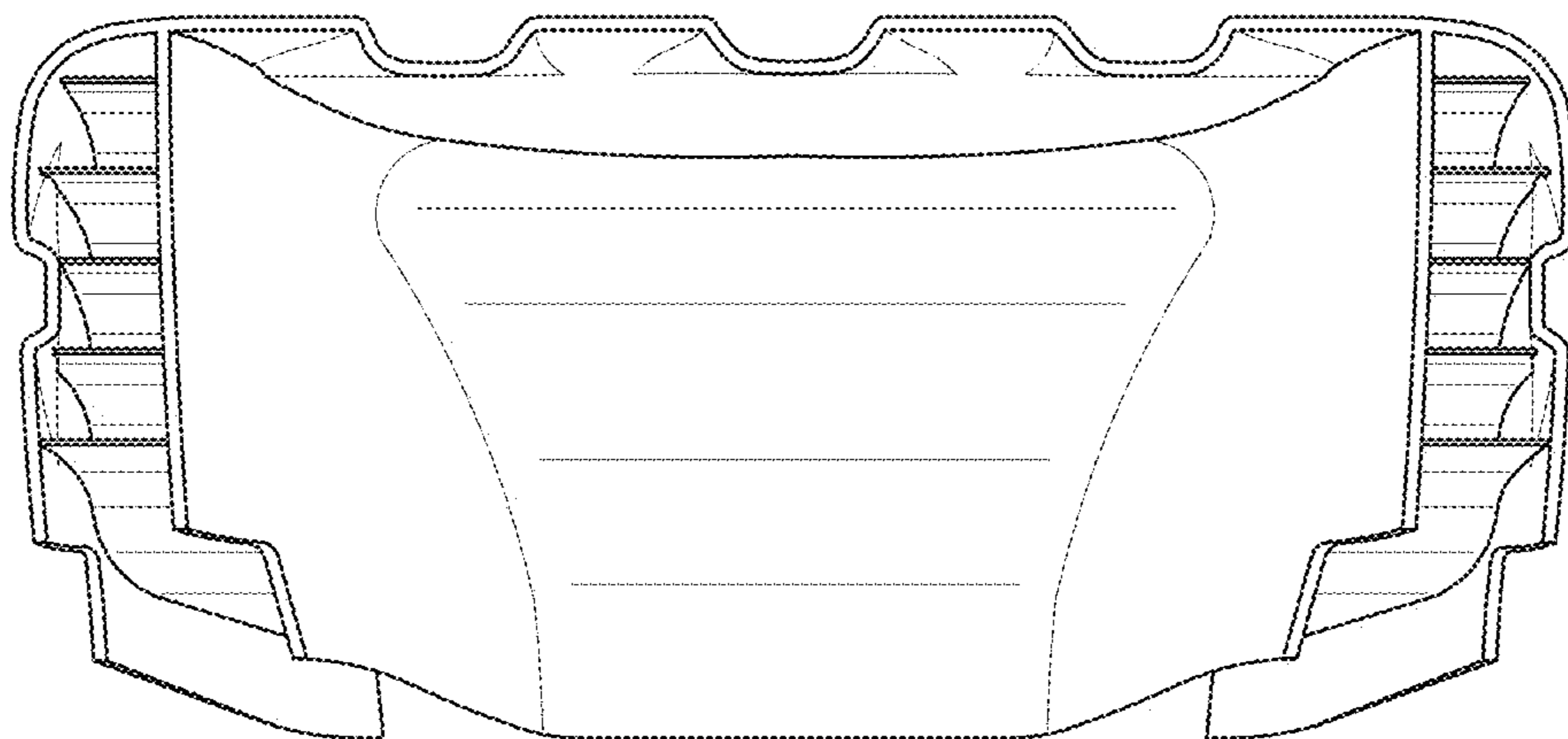


FIG. 3



**FIG. 4**



**FIG. 5**

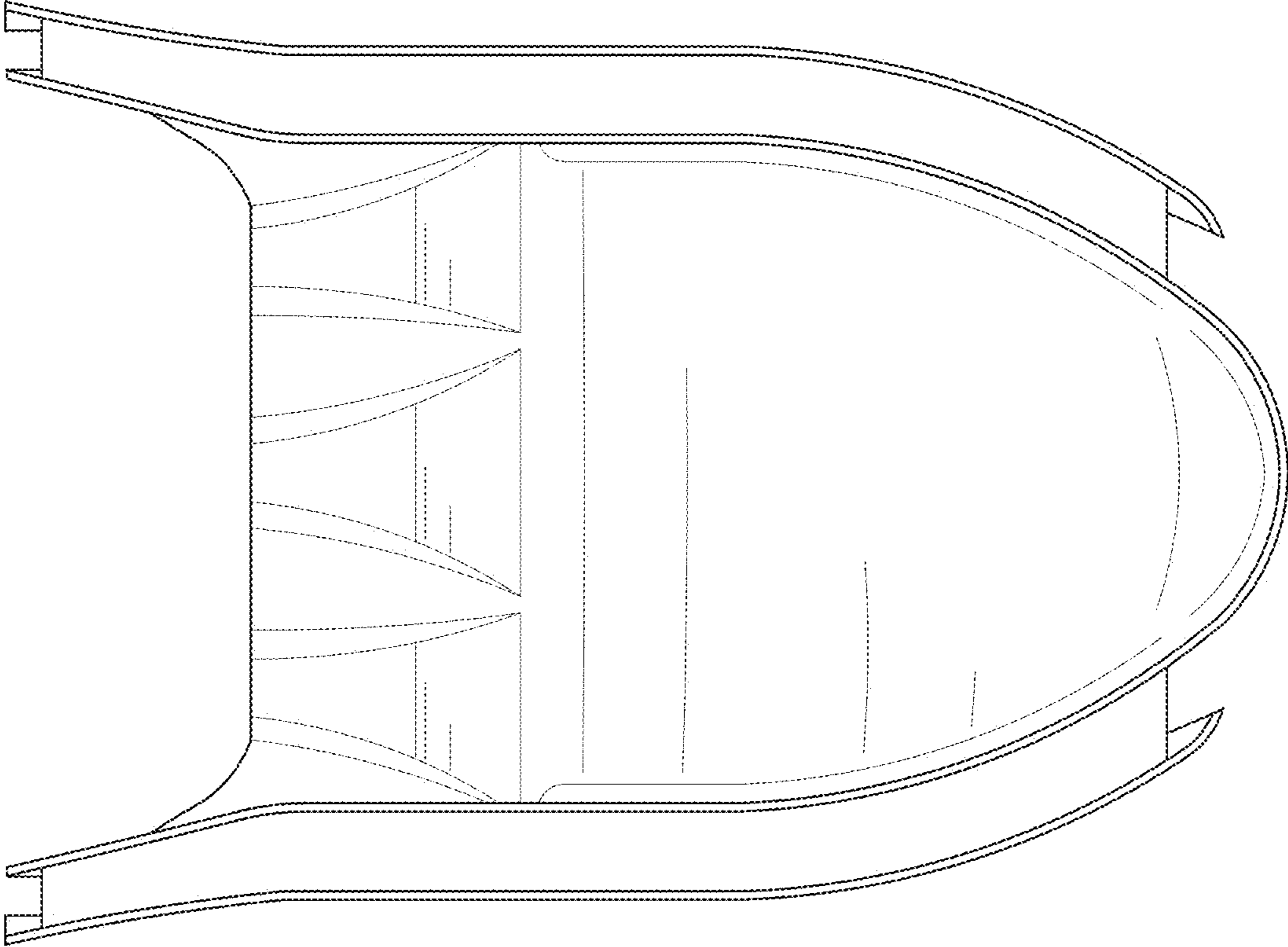


FIG. 6

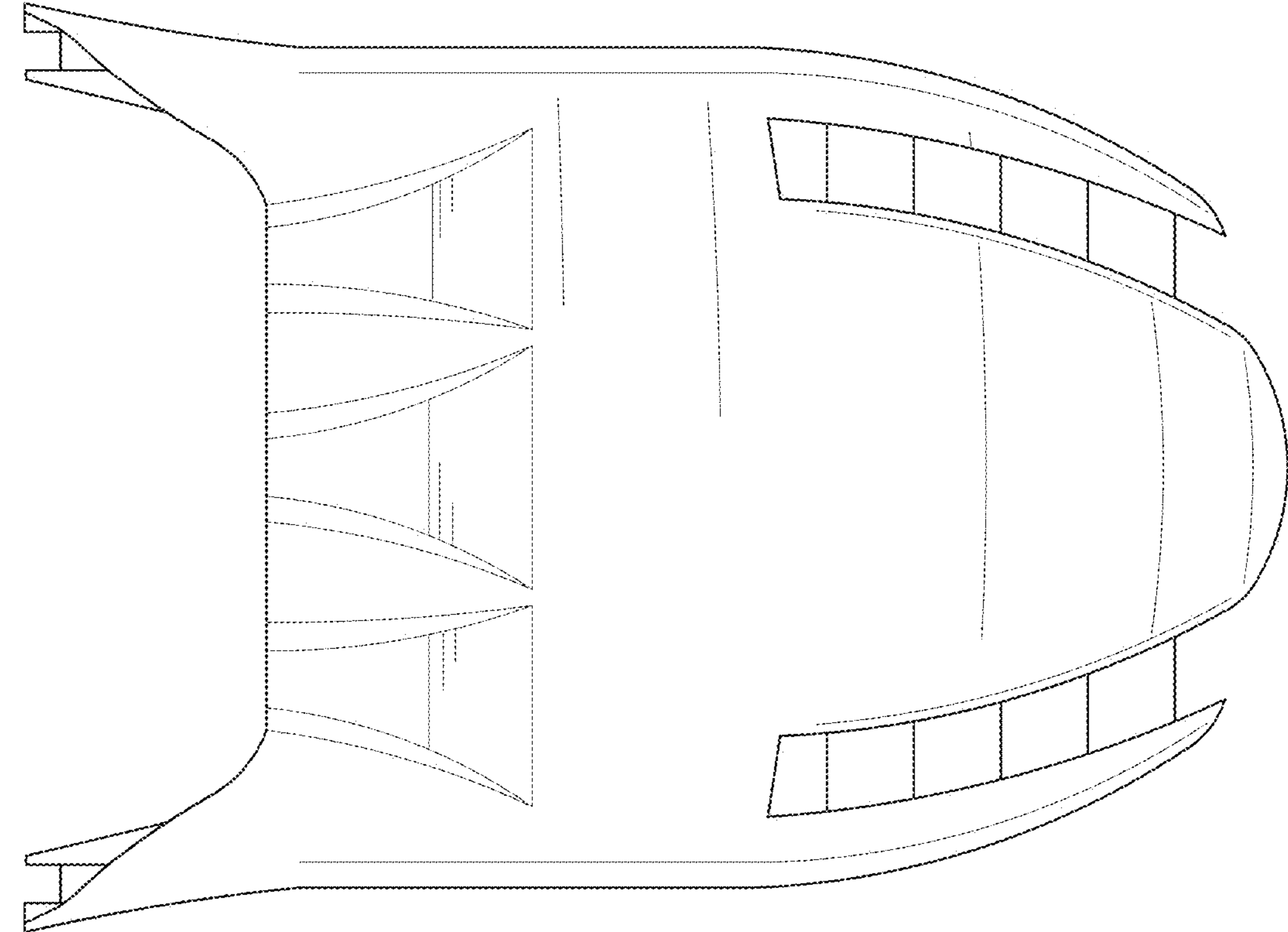


FIG. 7