



US00D903554S

(12) **United States Design Patent** (10) **Patent No.:** **US D903,554 S**
Sullivan, V (45) **Date of Patent:** **** Dec. 1, 2020**

(54) **MOTOR VEHICLE HOOD PART**
(71) Applicant: **Daniel J. Sullivan, V**, Corpus Christi, TX (US)
(72) Inventor: **Daniel J. Sullivan, V**, Corpus Christi, TX (US)
(**) Term: **15 Years**
(21) Appl. No.: **29/630,616**
(22) Filed: **Dec. 21, 2017**
(51) **LOC (12) Cl.** **12-16**
(52) **U.S. Cl.**
USPC **D12/173**
(58) **Field of Classification Search**
USPC D12/86, 91, 93, 163, 164, 165, 166, 167, D12/169, 171, 172, 173, 190, 216
CPC B60R 9/06; B60R 19/02; B60R 19/04; B60R 19/18; B60R 19/44; B60R 19/48; B62D 35/02; B62D 39/00; B62D 65/16; B62D 21/12; B29C 45/16
See application file for complete search history.

D762,148 S * 7/2016 Platto D12/173
D772,768 S * 11/2016 Chiang D12/173
D777,220 S * 1/2017 Powell D15/31
2004/0256024 A1* 12/2004 Schlachter B60K 15/04 141/86
2006/0048986 A1* 3/2006 Bracciano B60H 1/28 180/69.2
2006/0201727 A1* 9/2006 Chan B62D 25/105 180/69.25
2017/0355400 A1* 12/2017 Weston B62D 25/12
* cited by examiner

Primary Examiner — Janice Hallmark
Assistant Examiner — Suzanne E Tisdell
(74) *Attorney, Agent, or Firm* — M. Susan Spiering; Ferrells PLLC

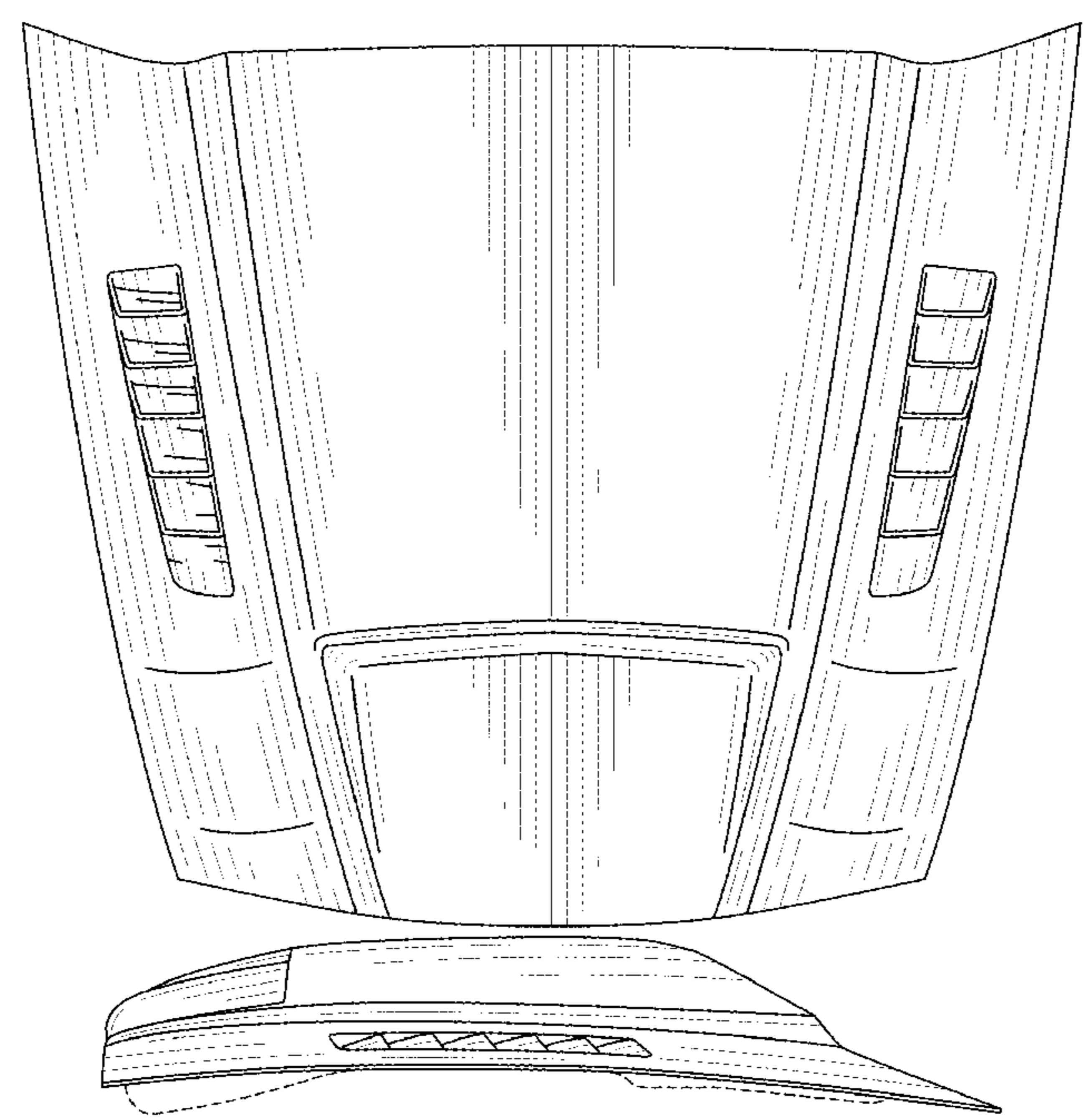
(57) **CLAIM**
The ornamental design for a motor vehicle hood part, as shown and described.

DESCRIPTION

A portion of the disclosure of this patent document contains material to which a claim for copyright is made. The copyright owner has no objection to the facsimile reproduction by anyone of the patent document or the patent disclosure as it appears in the Patent and Trademark Office patent file or records, but reserves all other copyright rights whatsoever.
FIG. 1 is a top plan view of a motor vehicle hood part showing my new design;
FIG. 2 is a bottom plan view thereof;
FIG. 3 is a right elevation view thereof;
FIG. 4 is a left elevation view thereof;
FIG. 5 is a front elevation view thereof; and,
FIG. 6 is a back elevation view thereof.

1 Claim, 4 Drawing Sheets

(56) **References Cited**
U.S. PATENT DOCUMENTS
4,635,991 A 1/1987 Parno
D455,102 S 4/2002 Crijns
D473,829 S * 4/2003 Hoyle, Jr. D12/173
D528,482 S * 9/2006 Hamburger D12/181
D561,665 S * 2/2008 Thomas D12/173
D597,002 S * 7/2009 Jamieson D12/173
D619,062 S * 7/2010 Improta D12/173
D623,100 S * 9/2010 Bimbi D12/173
D703,119 S * 4/2014 Platto D12/173
D735,625 S * 8/2015 Mays D12/173
D739,317 S * 9/2015 McMahan D12/173
D740,187 S * 10/2015 Jamieson D12/173



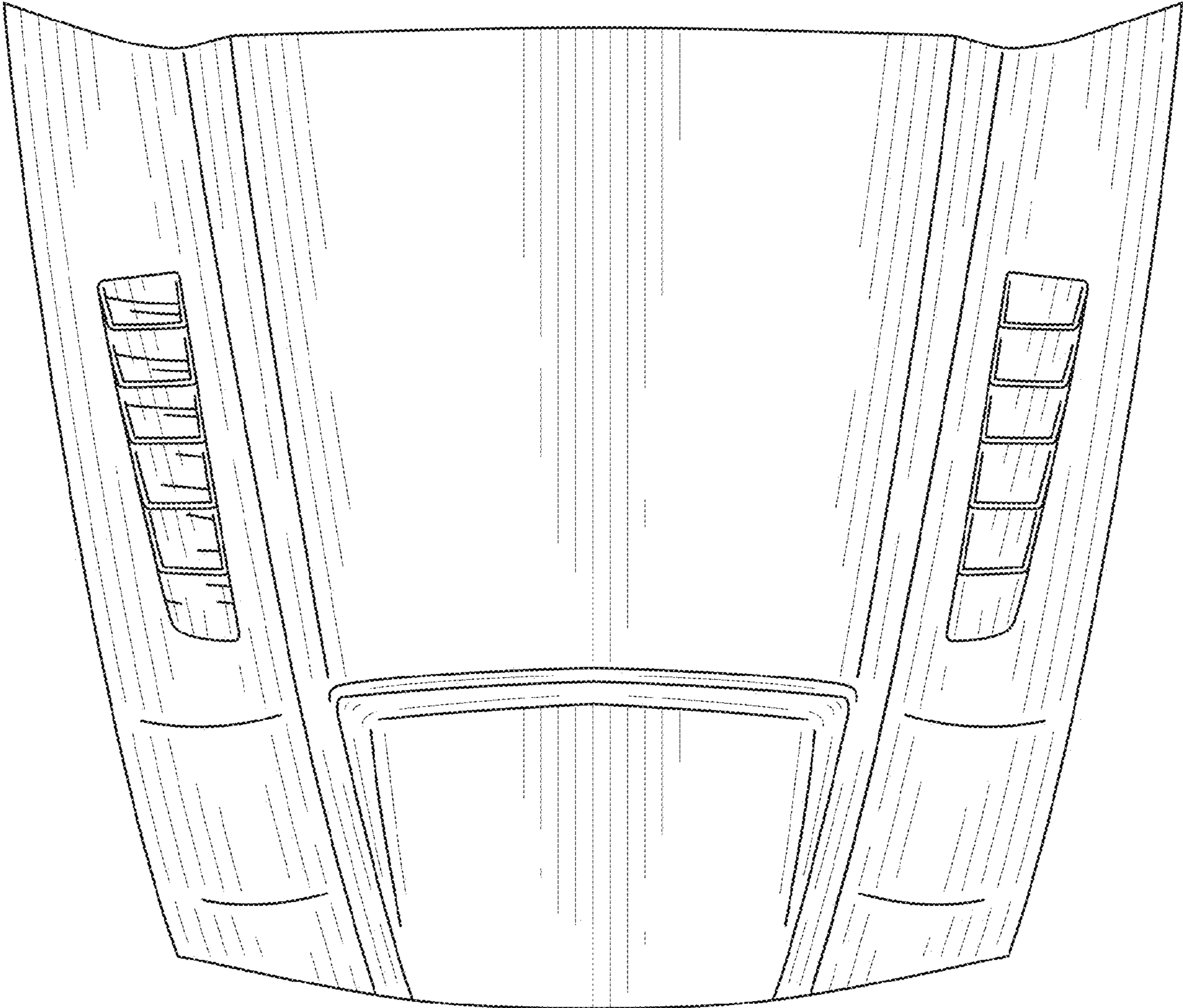


FIG. 1

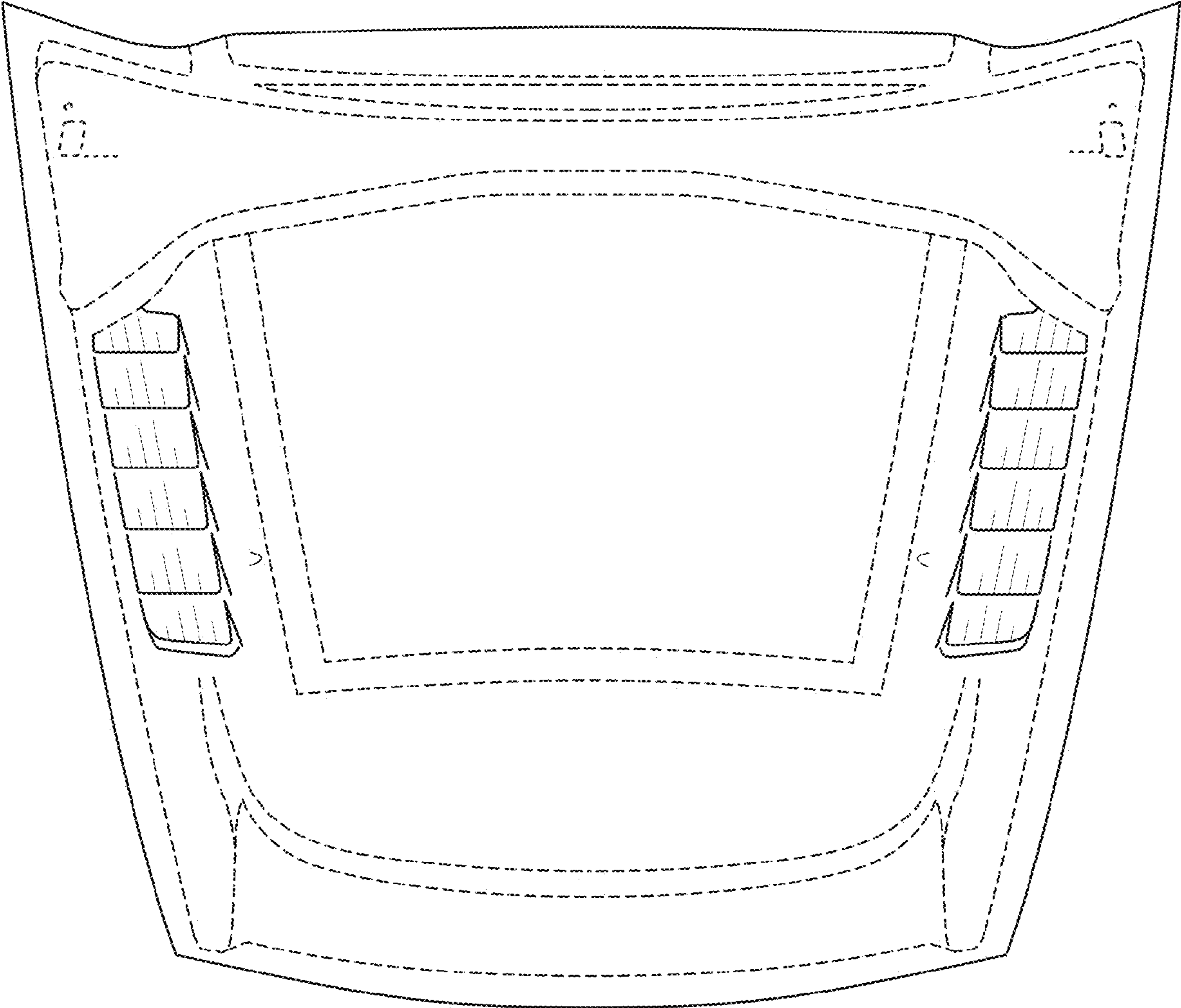


FIG. 2

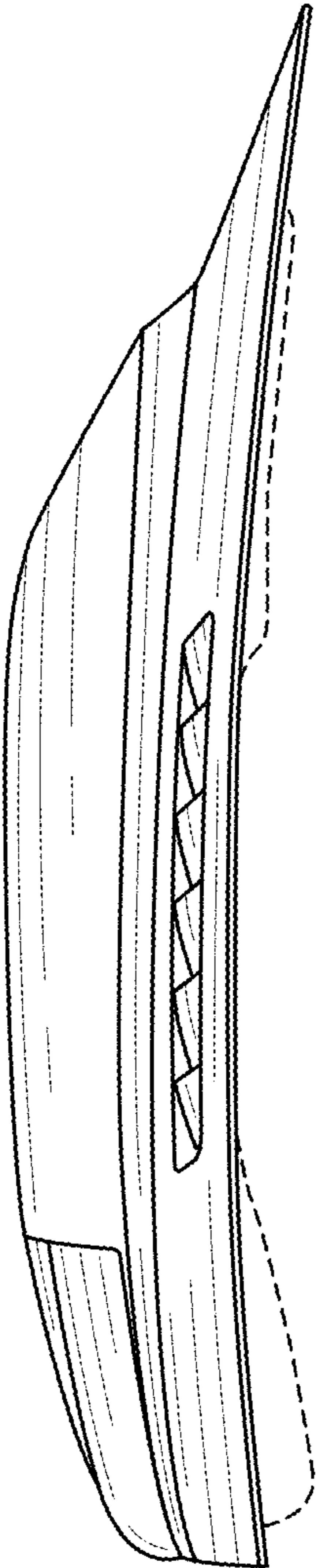


FIG. 3

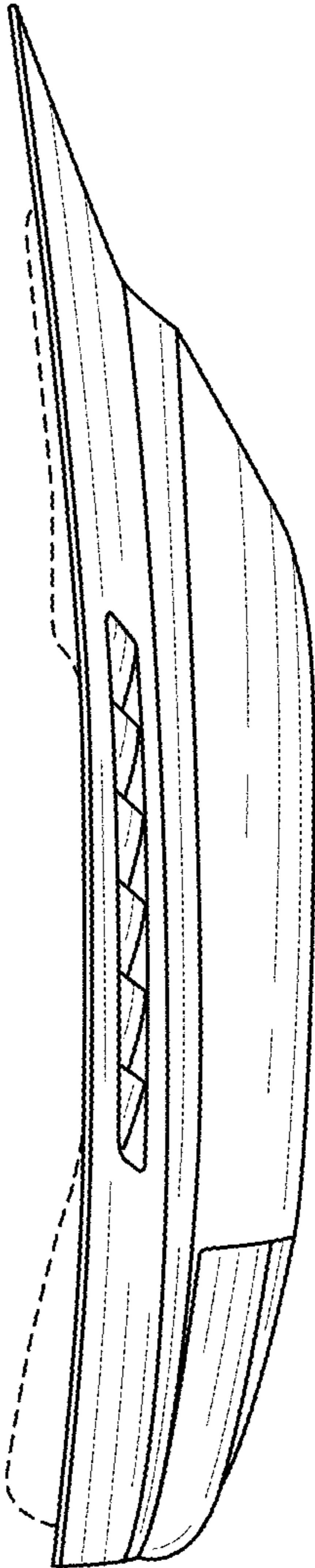


FIG. 4

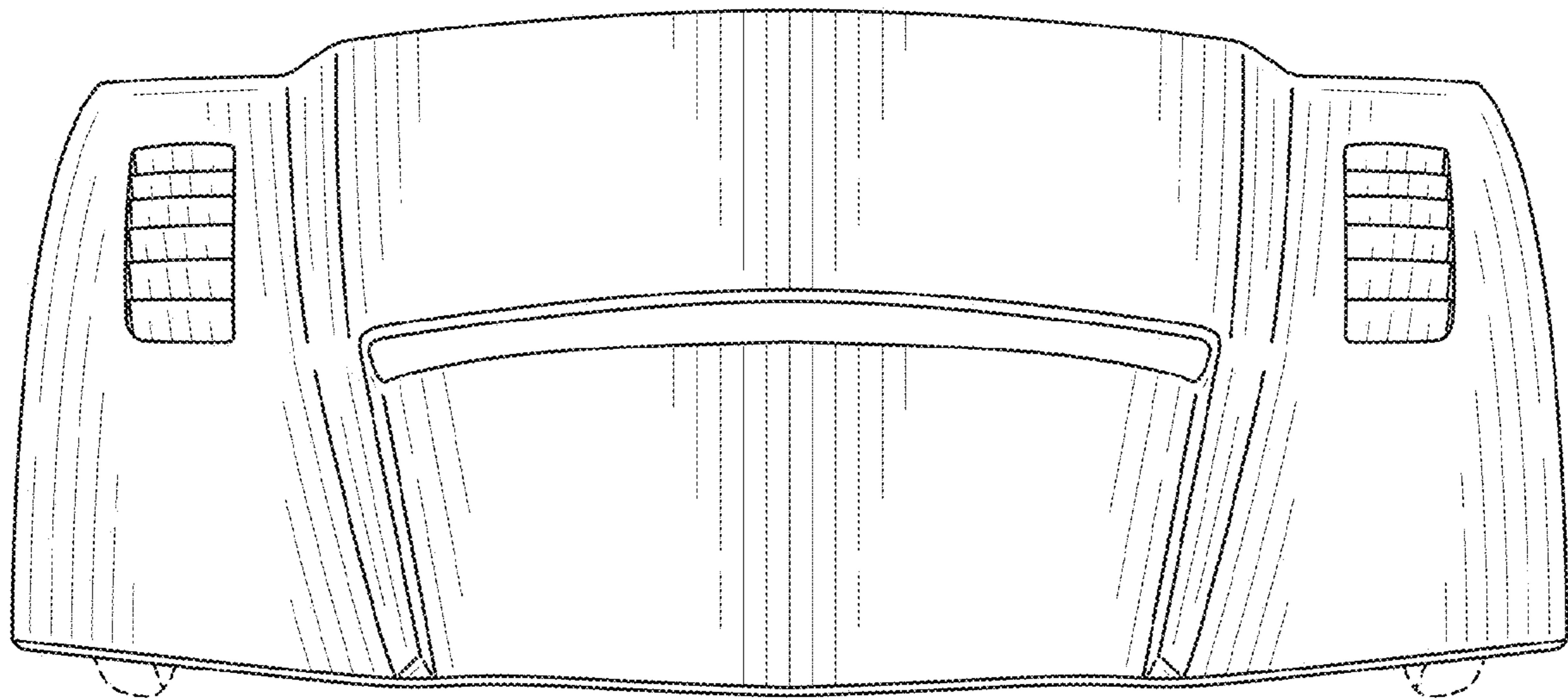


FIG. 5

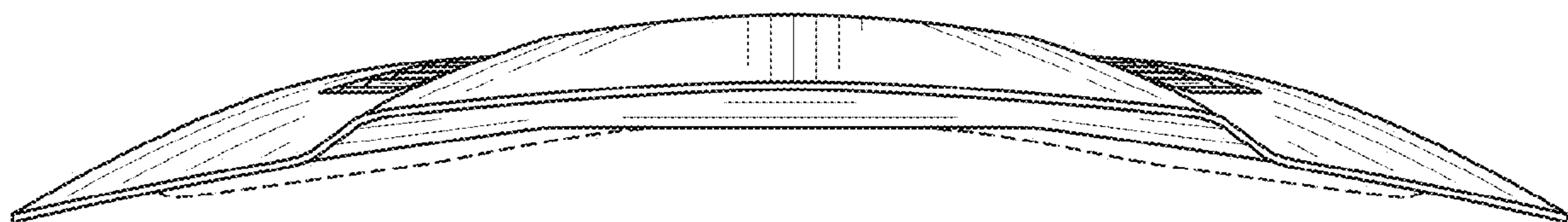


FIG. 6